



US00D512455S

(12) **United States Design Patent**
Hwang et al.

(10) **Patent No.:** **US D512,455 S**

(45) **Date of Patent:** **** Dec. 6, 2005**

(54) **DOCUMENT FEEDER**

(75) Inventors: **Pete Hwang**, Vancouver, WA (US);
Justine Worley, Murrieta, CA (US)

(73) Assignee: **Hewlett-Packard Development Company, L.P.**, Houston, TX (US)

(**) Term: **14 Years**

(21) Appl. No.: **29/190,743**

(22) Filed: **Sep. 25, 2003**

(51) **LOC (8) Cl.** **18-99**

(52) **U.S. Cl.** **D18/49**

(58) **Field of Search** D18/36-40, 46-49;
D14/462-464, 469-471; 271/3.14, 8.1;
399/23, 110, 361, 363, 393, 405

(56) **References Cited**

U.S. PATENT DOCUMENTS

D313,618 S * 1/1991 Kosako et al. D18/49
D317,420 S * 6/1991 Kosako et al. D18/36

5,384,624 A * 1/1995 Kajiwara 399/23
D423,040 S * 4/2000 Ohta et al. D18/36
D456,444 S * 4/2002 Falk et al. D18/53
D456,834 S * 5/2002 Fetherolf et al. D18/36
2004/0253018 A1 * 12/2004 Mui et al. 399/110

* cited by examiner

Primary Examiner—Caron D. Veynar

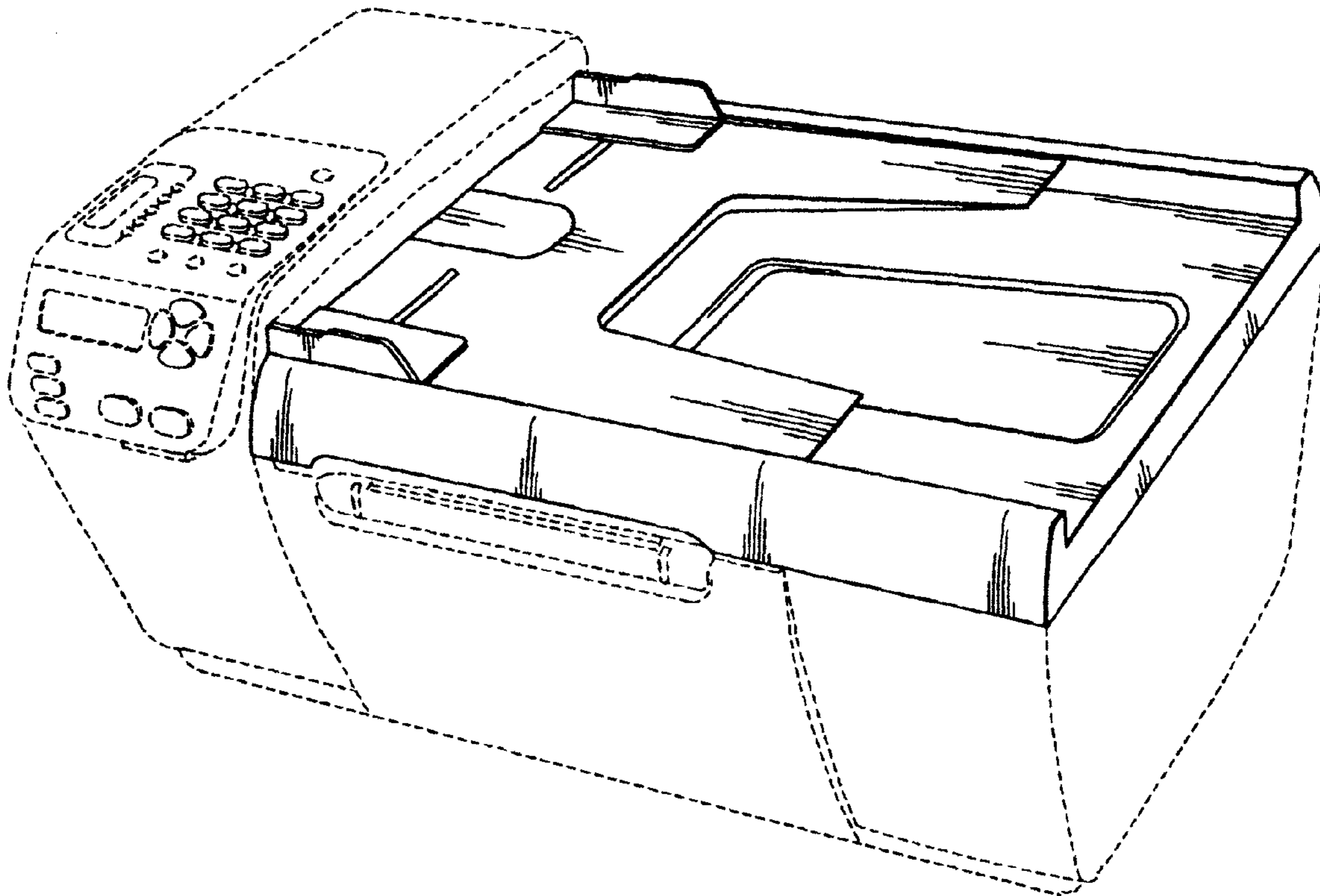
(57) **CLAIM**

The ornamental design for a document feeder, as shown and described.

DESCRIPTION

FIG. 1 is a right-front perspective view of a document feeder showing the new design;
FIG. 2 is a top view thereof;
FIG. 3 is a front view thereof;
FIG. 4 is a right side view thereof; and,
FIG. 5 is a rear view thereof.
The broken lines showing in FIGS. 1-5 are for illustrative purposes only and form no part of the claimed design.

1 Claim, 5 Drawing Sheets



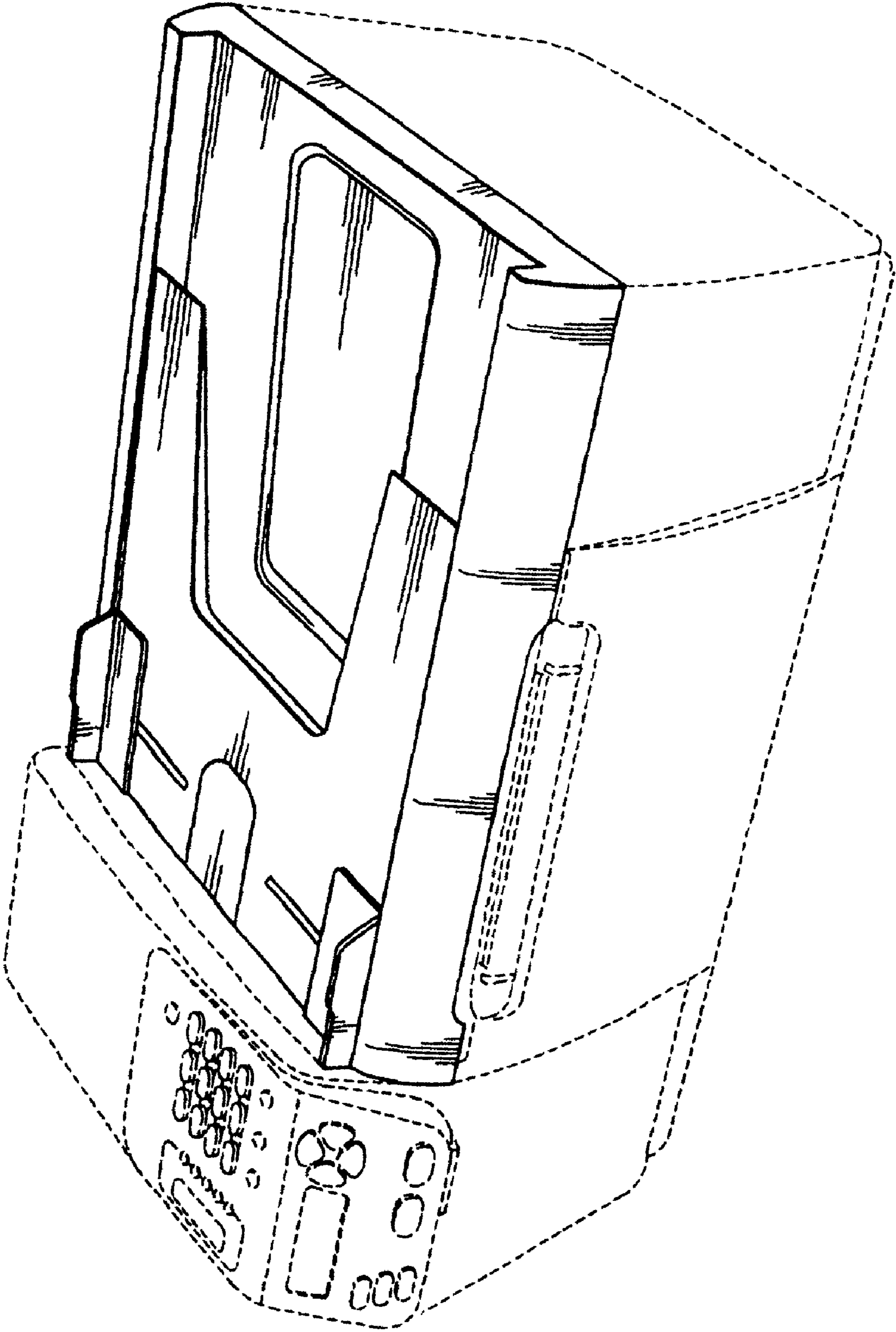


FIG. 1

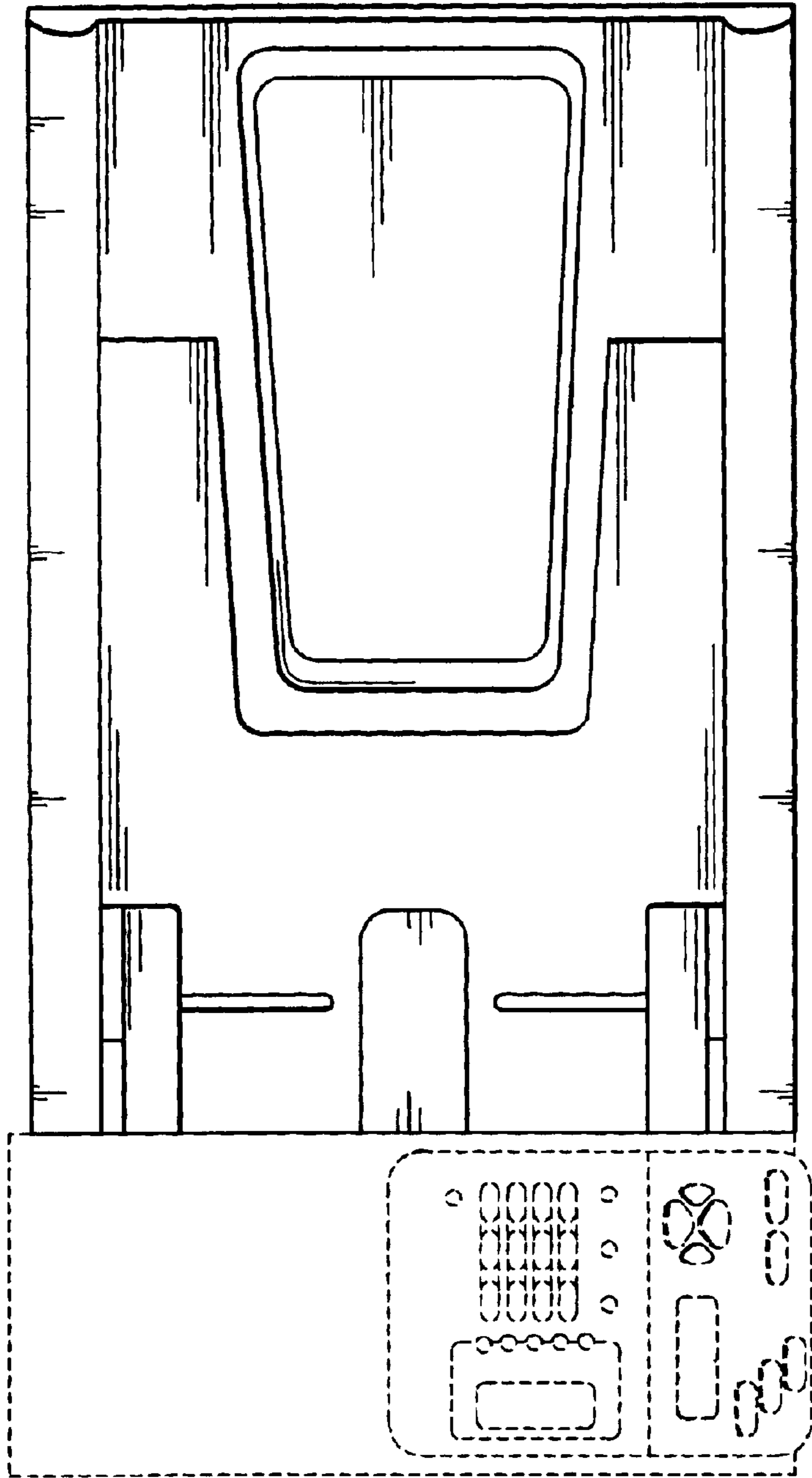


FIG. 2

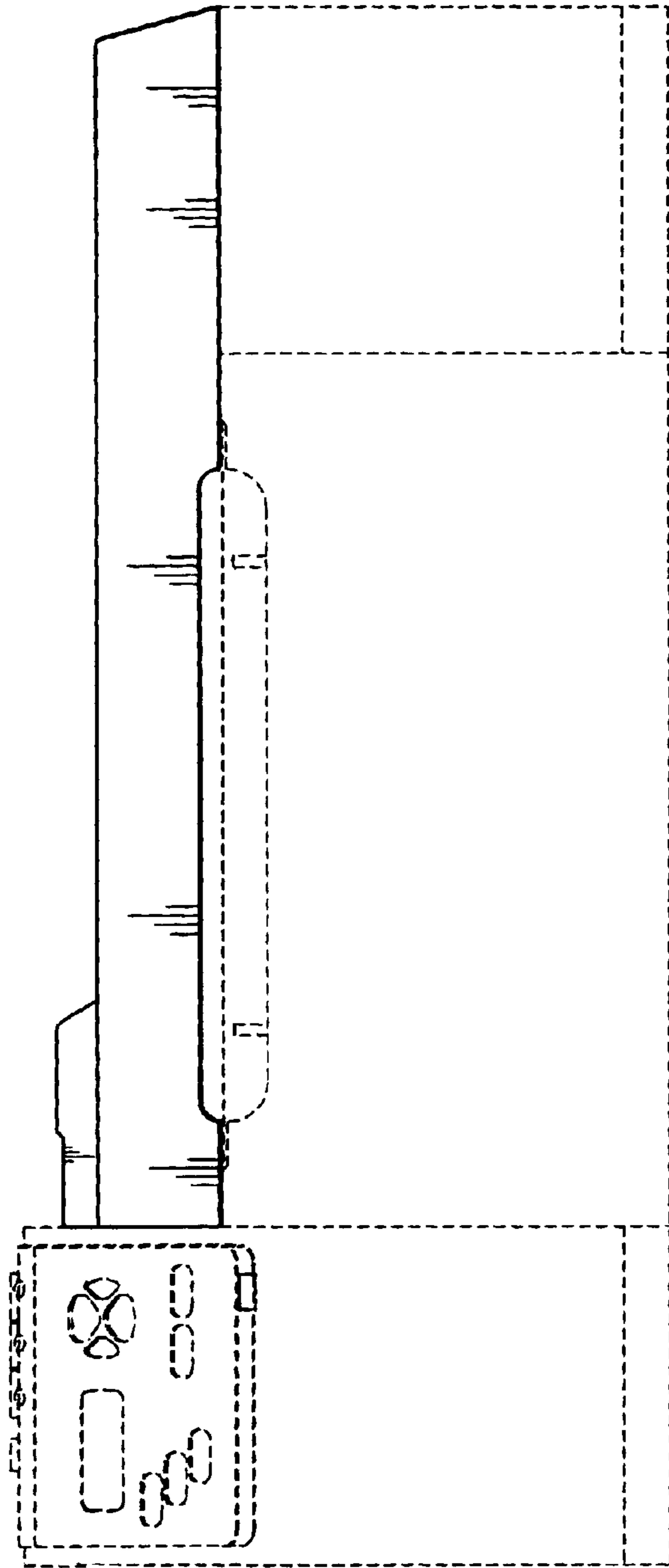


FIG. 3

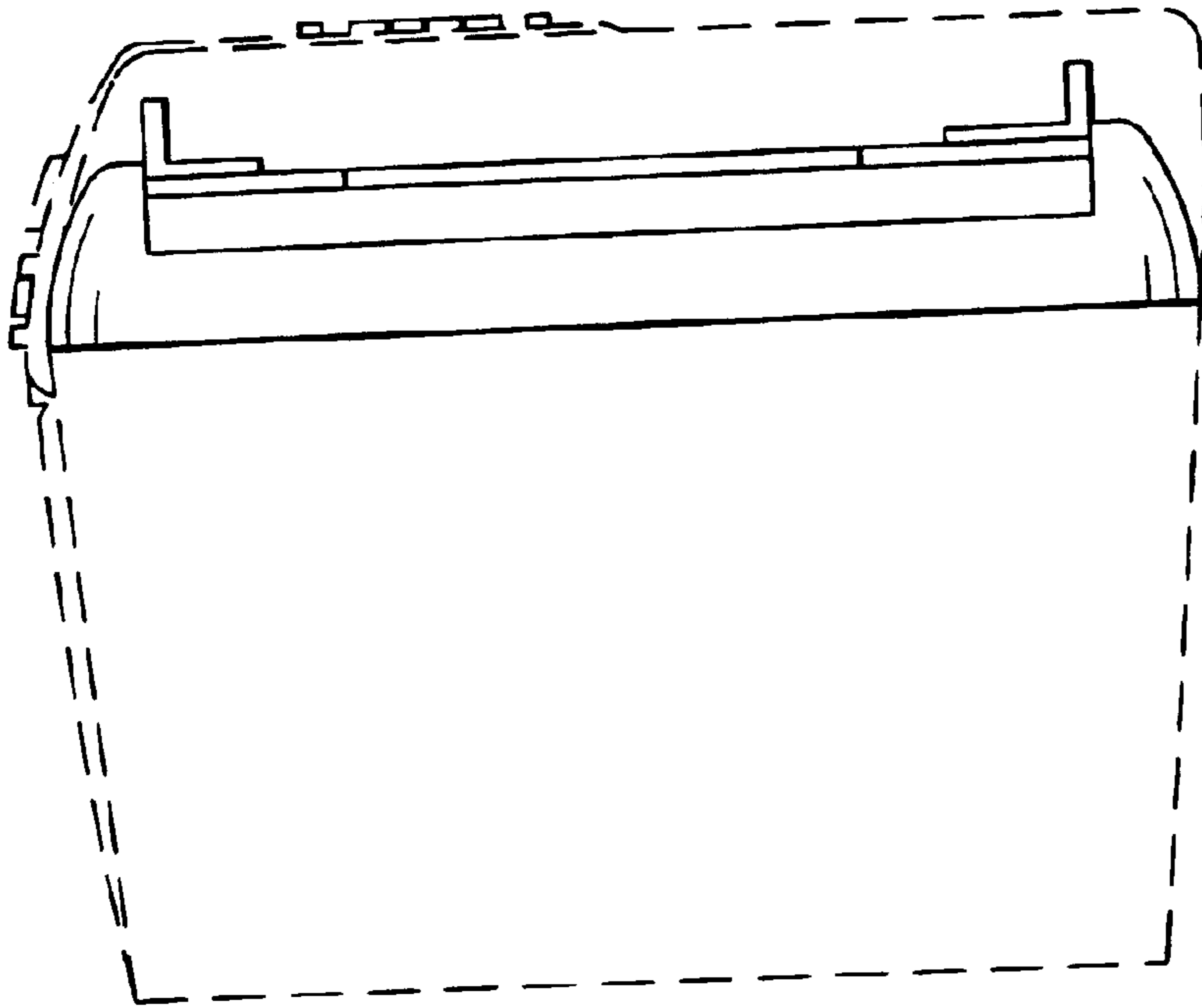


FIG. 4

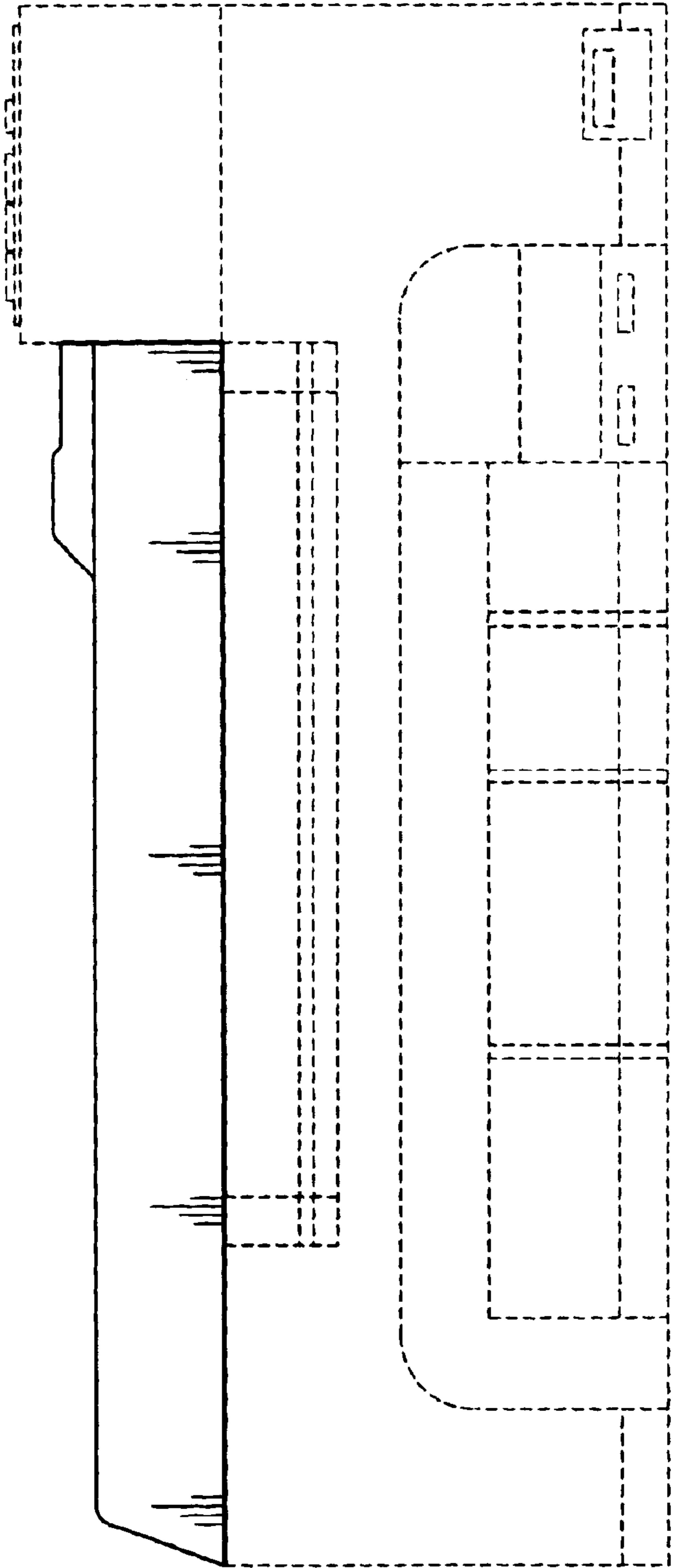


FIG. 5