



US00D512451S

(12) **United States Design Patent**
Usui

(10) **Patent No.:** **US D512,451 S**
(45) **Date of Patent:** **** Dec. 6, 2005**

(54) **EYEGLASSES WITH CASE**

(75) **Inventor:** **Masayoshi Usui, Numazu (JP)**

(73) **Assignee:** **Usui Kokusai Sangyo Kaisha, Ltd., Shizuoka-ken (JP)**

(**) **Term:** **14 Years**

(21) **Appl. No.:** **29/195,335**

(22) **Filed:** **Dec. 10, 2003**

(30) **Foreign Application Priority Data**

Jun. 10, 2003 (JP) 2003-016303

(51) **LOC (8) Cl.** **16-06**

(52) **U.S. Cl.** **D16/309**

(58) **Field of Search** **D16/300-330, D16/101, 332-338; D29/109-110; D24/110.2; 351/41, 44, 51-52, 56, 158, 92, 103-111, 130, 61, 63; 2/426-432, 448, 441, 447, 434-437**

(56) **References Cited**

U.S. PATENT DOCUMENTS

654,005	A *	7/1900	Kabisch	351/56
1,137,504	A *	4/1915	Lowres	351/56
1,899,664	A *	2/1933	Blocker	351/56
4,707,088	A *	11/1987	Tabacchi	351/56
6,406,144	B1 *	6/2002	Waters	351/63
D479,552	S *	9/2003	Emanuele	D16/309
6,709,127	B2 *	3/2004	Lu	351/158

* cited by examiner

Primary Examiner—Raphael Barkai

(74) *Attorney, Agent, or Firm*—Jordan and Hamburg LLP

(57) **CLAIM**

The ornamental design for eyeglasses with case, as shown and described.

DESCRIPTION

FIG. 1 is a front view of the eyeglasses with case with the eyeglasses fully extended from the case;

FIG. 2 is a left side view of the eyeglasses with case of FIG. 1;

FIG. 3 is a right side view of the eyeglasses with case of FIG. 1;

FIG. 4 is a rear view of the eyeglasses with case of FIG. 1;

FIG. 5 is a top view of the eyeglasses with case of FIG. 1;

FIG. 6 is a bottom view of the eyeglasses with case of FIG. 1;

FIG. 7 is an enlarged sectional view taken across line 7—7 in FIG. 1;

FIG. 8 is an enlarged sectional view taken across line 8—8 in FIG. 1;

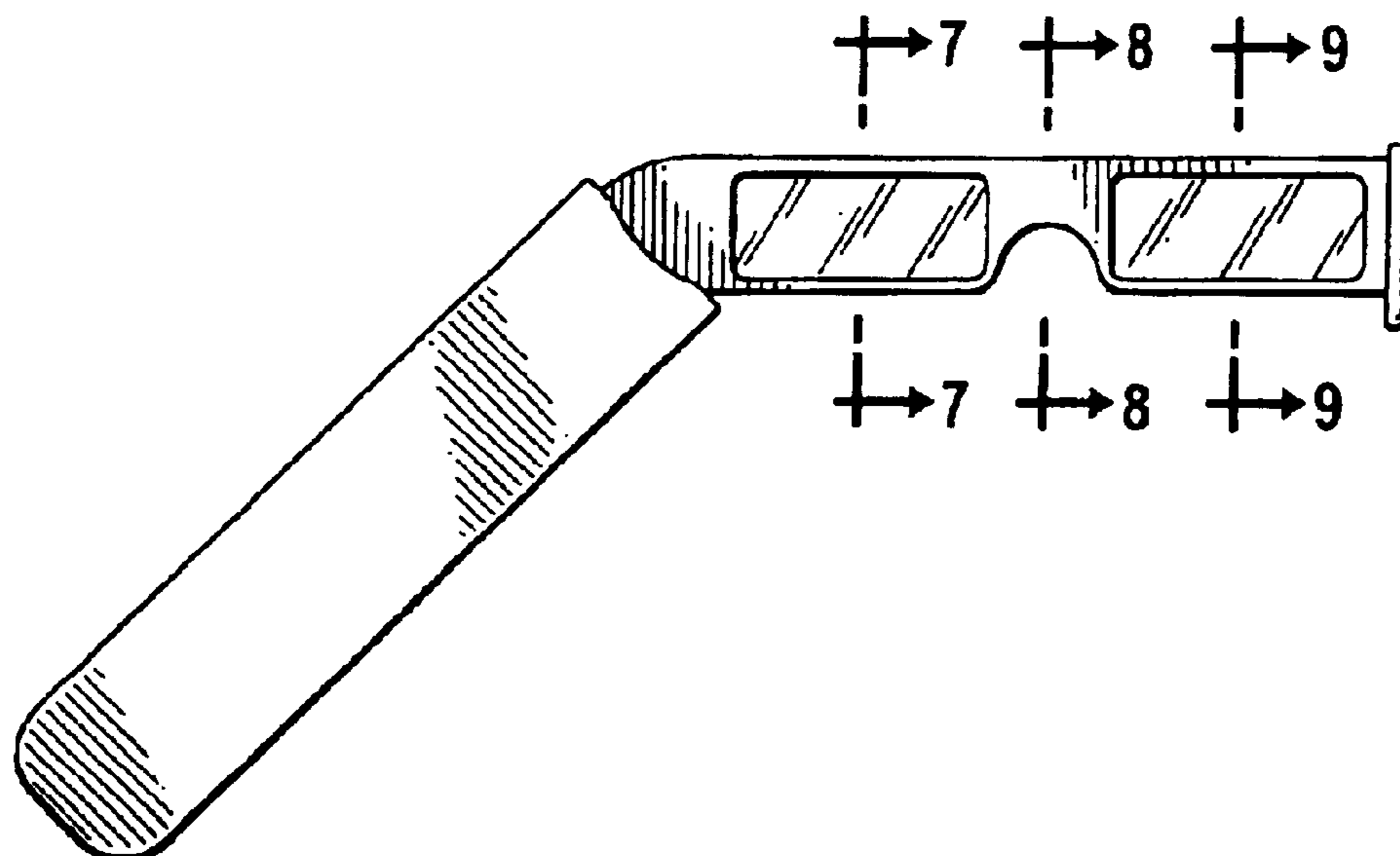
FIG. 9 is an enlarged sectional view taken across line 9—9 in FIG. 1;

FIG. 10 is a perspective view of the eyeglasses with case with the eyeglasses fully extended from the case;

FIG. 11 is a perspective view of the eyeglasses with case with the eyeglasses partially retracted into the case; and,

FIG. 12 is a perspective view of the eyeglasses with case with the eyeglasses fully retracted into the case.

1 Claim, 7 Drawing Sheets



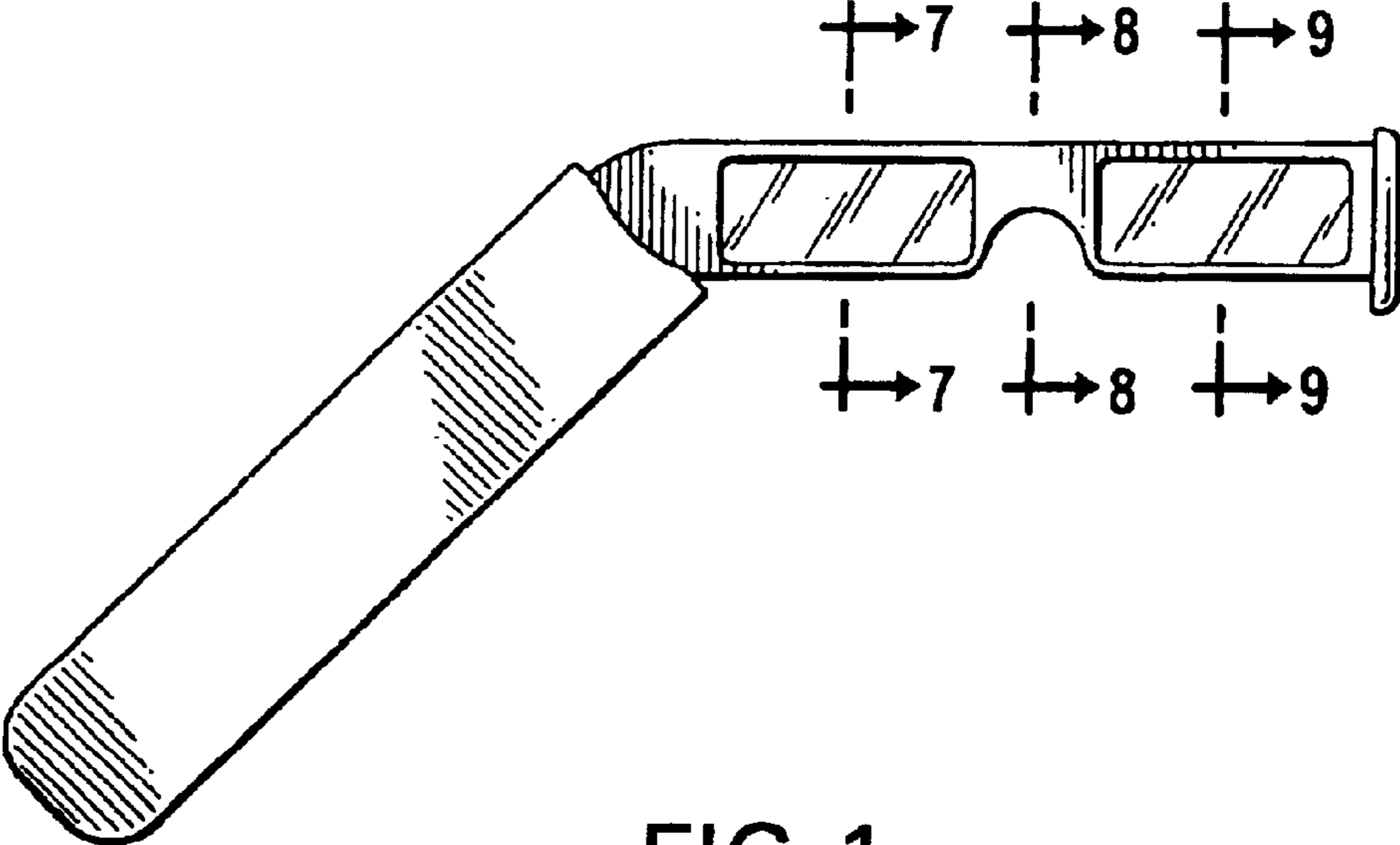


FIG. 1



FIG. 2



FIG. 3

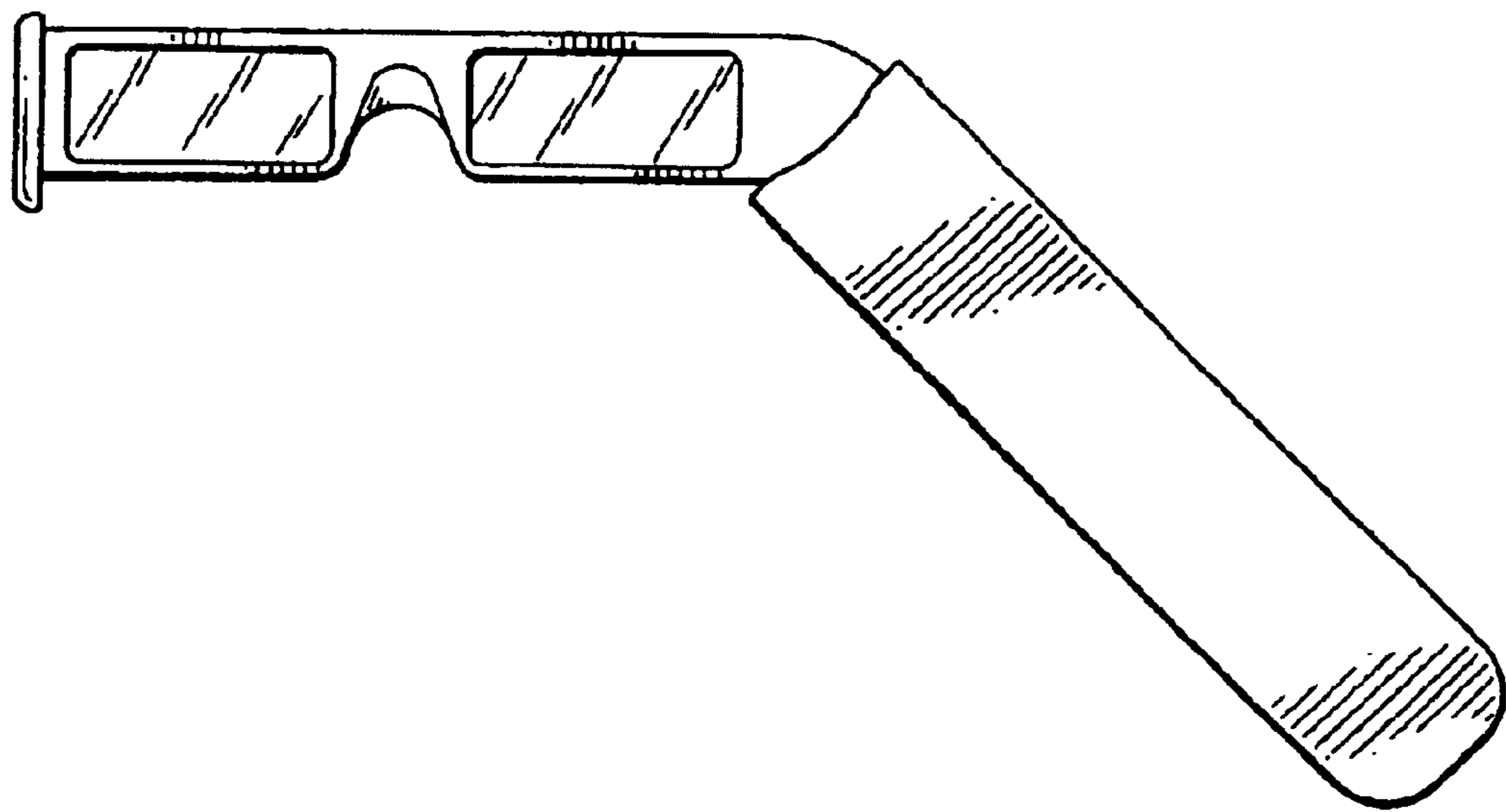


FIG.4



FIG. 5



FIG. 6

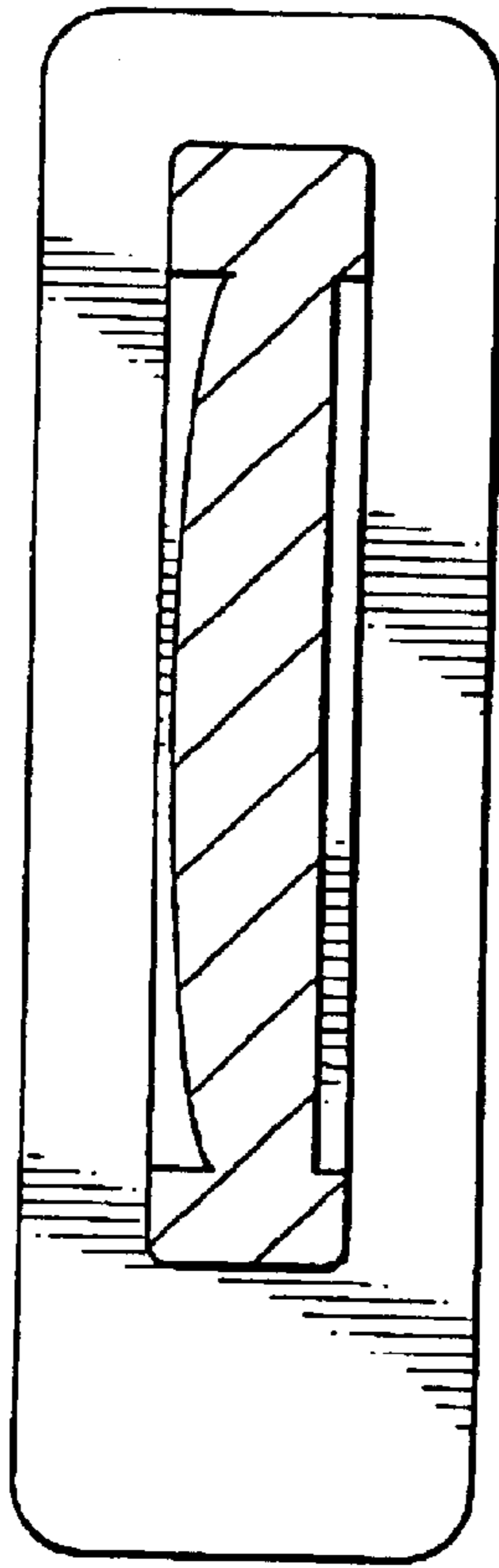


FIG. 7

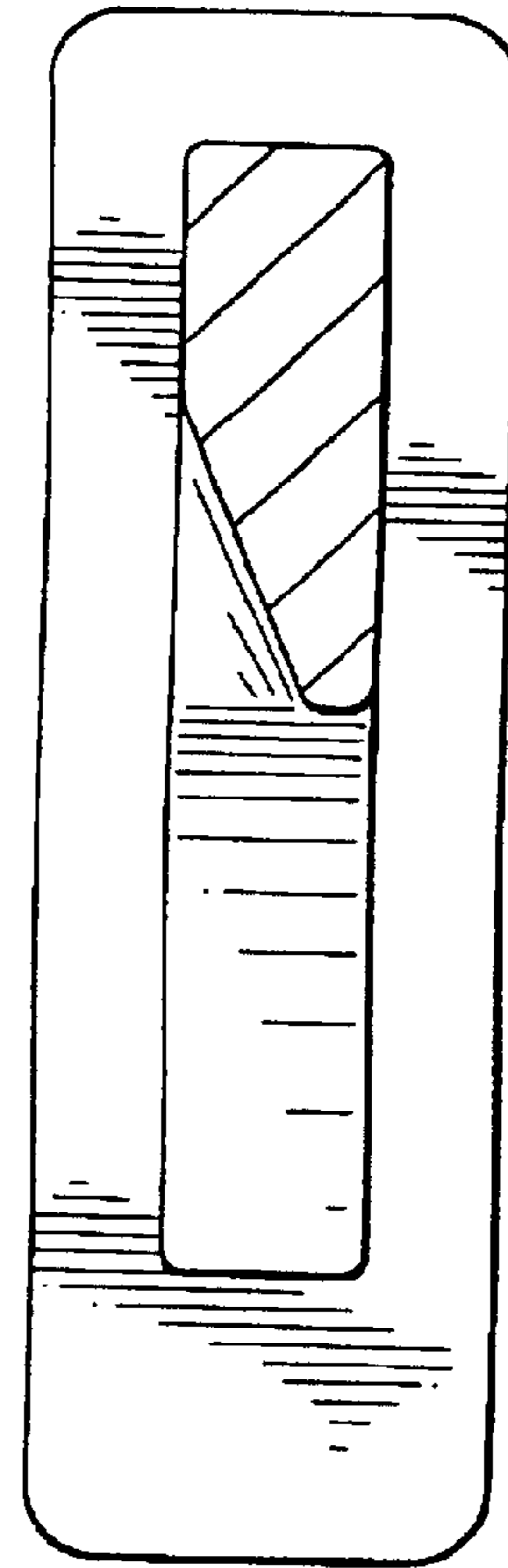


FIG. 8

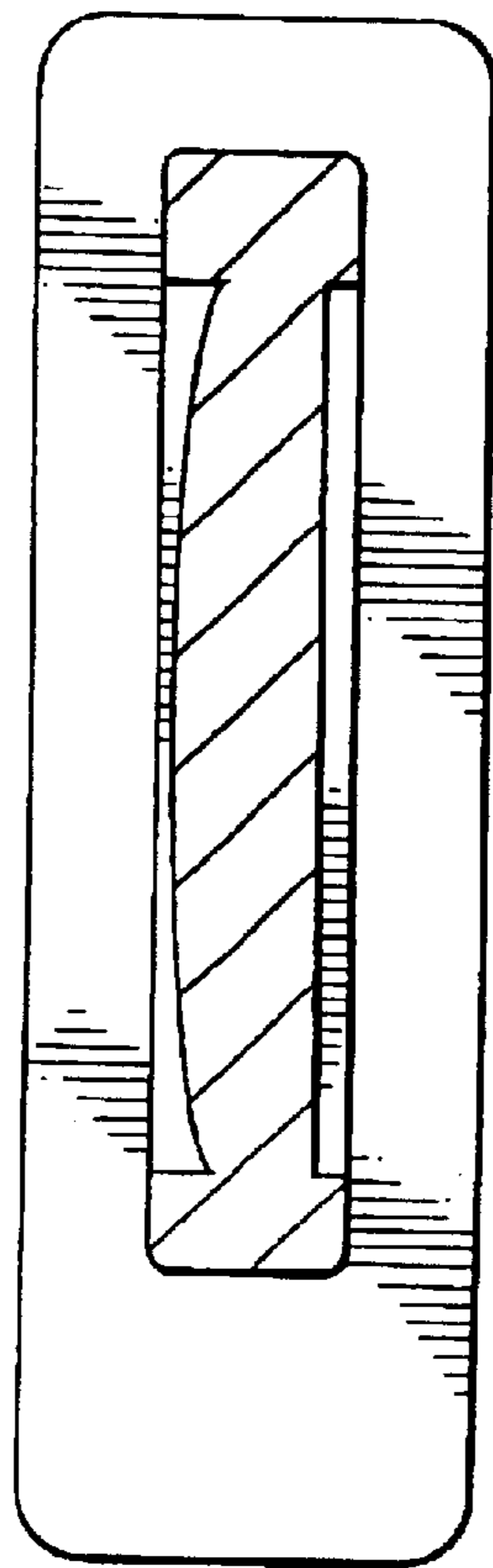


FIG. 9

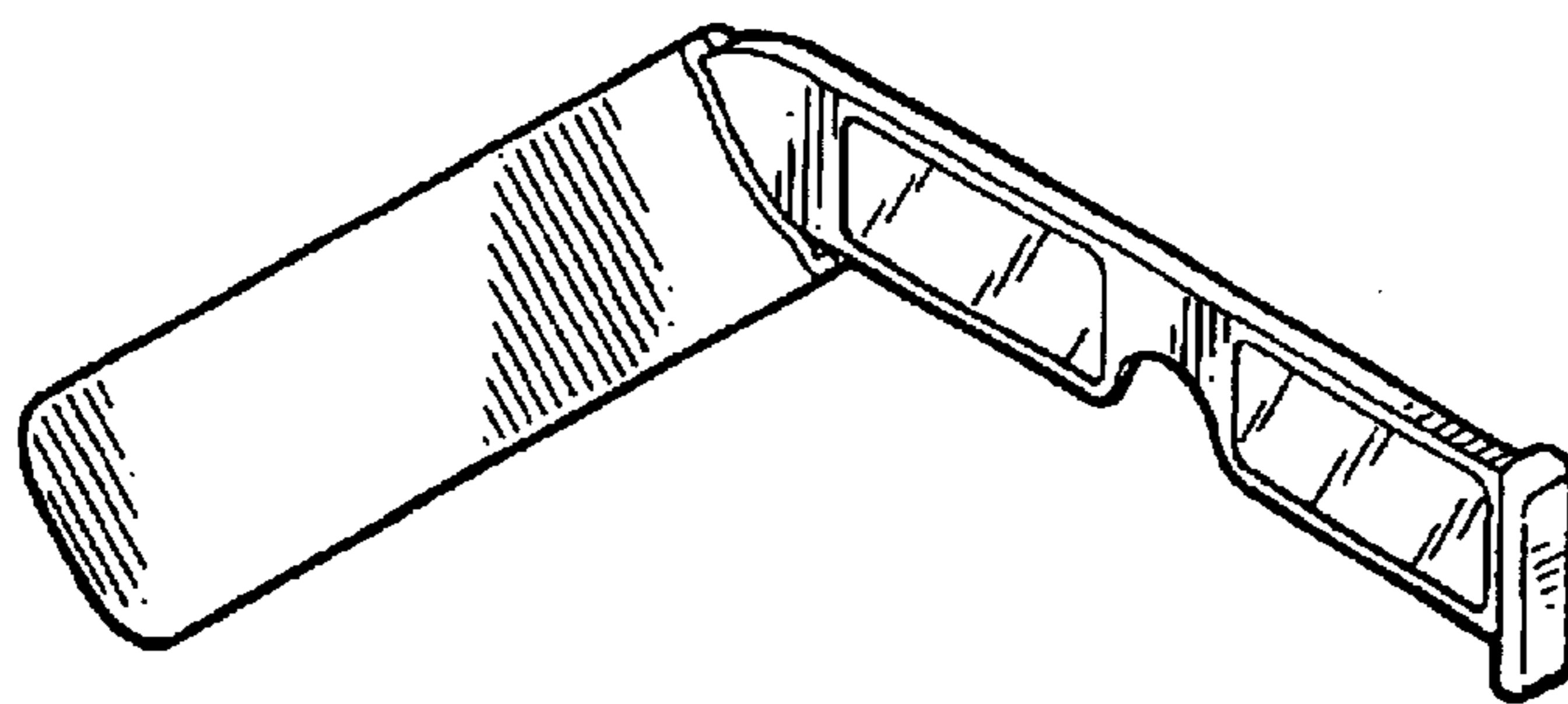


FIG. 10

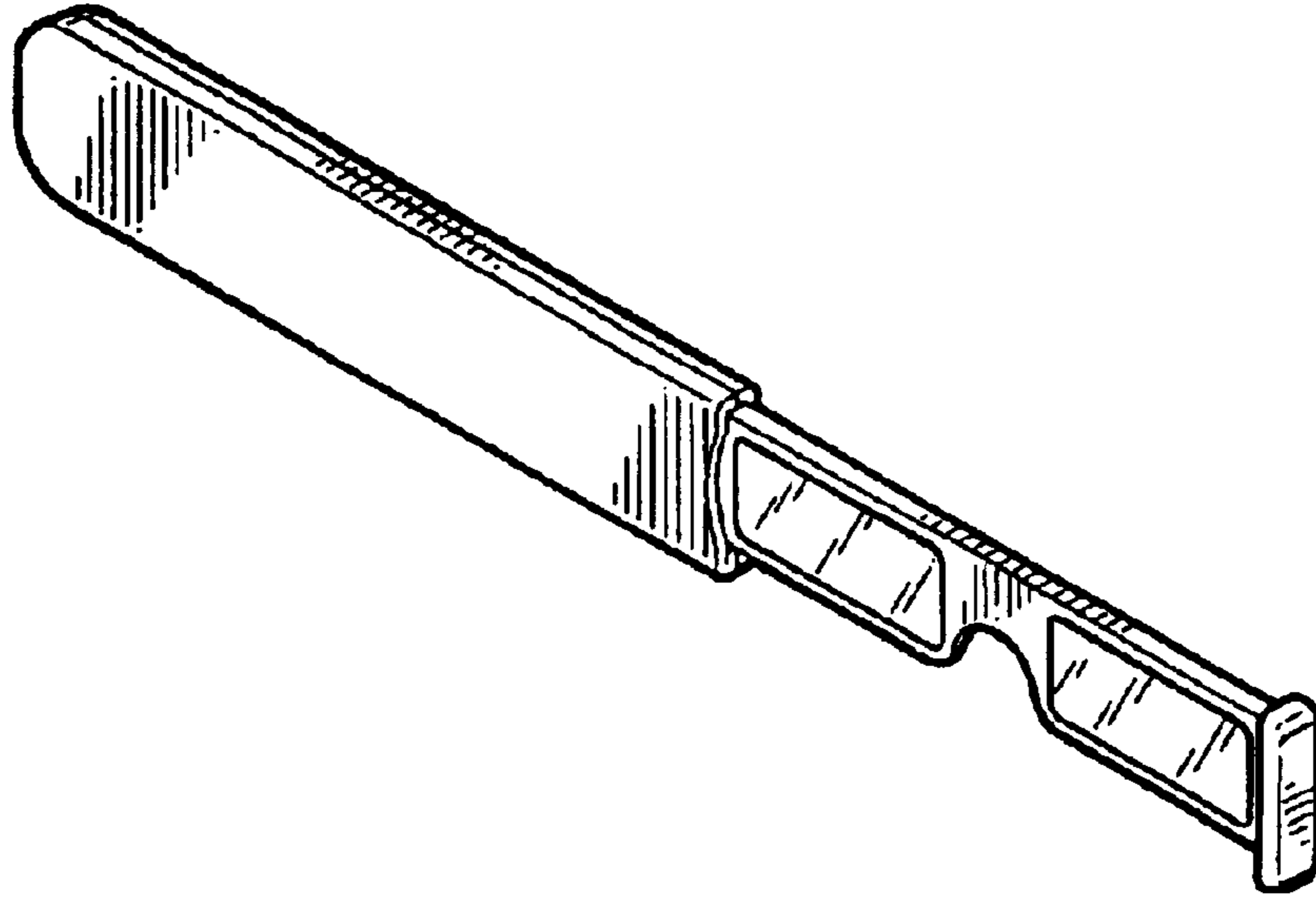


FIG. 11

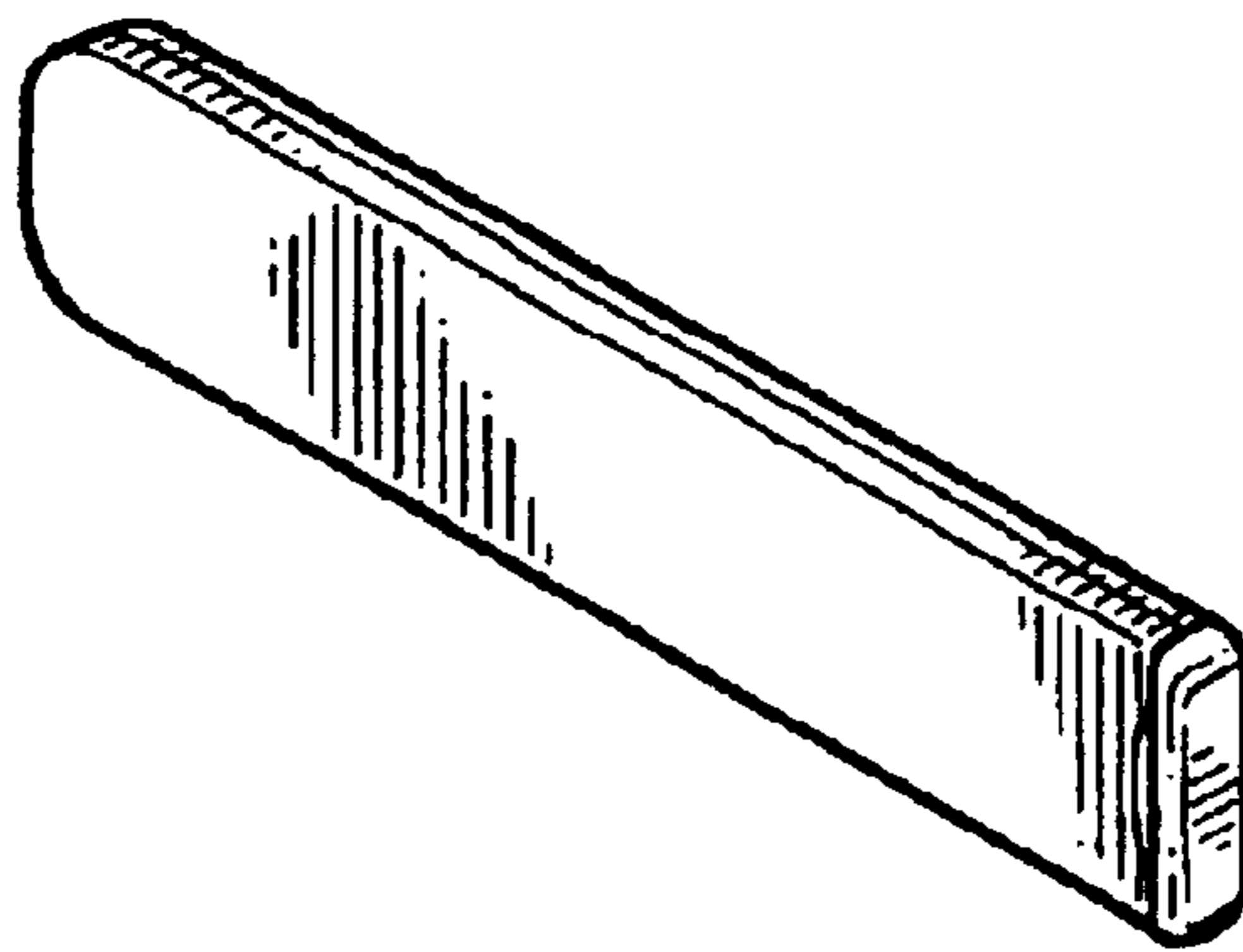


FIG. 12