



US00D512449S

(12) **United States Design Patent** (10) **Patent No.:** **US D512,449 S**
Regan et al. (45) **Date of Patent:** **** Dec. 6, 2005**

(54) **COMPACT SPOTTING SCOPE**

(75) Inventors: **Rick R. Regan**, Aloha, OR (US);
Rodney H. Otteman, Aloha, OR (US);
Erik R. Halverson, Salem, OR (US)

(73) Assignee: **Leupold & Stevens, Inc.**, Beaverton,
OR (US)

(**) Term: **14 Years**

(21) Appl. No.: **29/203,602**

(22) Filed: **Apr. 15, 2004**

Related U.S. Application Data

(62) Division of application No. 29/180,735, filed on Apr. 28,
2003, now Pat. No. Des. 490,097.

(51) **LOC (8) Cl.** **16-06**

(52) **U.S. Cl.** **D16/132**

(58) **Field of Search** D16/130, 132;
359/399, 422, 784, 825, 826, 426, 429,
831, 835

(56) **References Cited**

U.S. PATENT DOCUMENTS

- D165,231 S * 11/1951 Kieffer, III et al. D16/132
- D215,355 S * 9/1969 Weatherby D16/132
- D219,623 S * 12/1970 Bushnell D16/132
- D247,625 S * 3/1978 Huckenbeck D16/132
- D272,916 S * 3/1984 Tomatsuri et al. D16/132
- D285,698 S * 9/1986 Ogasawara D16/132
- D288,210 S * 2/1987 Mise D16/132
- 4,669,833 A 6/1987 Mise

- D347,441 S 5/1994 Lutter et al.
- D395,440 S 6/1998 Ogasawara et al.
- D439,259 S 3/2001 Yamaguchi
- D490,097 S * 5/2004 Regan et al. D16/132

* cited by examiner

Primary Examiner—Paula A. Greene

(74) *Attorney, Agent, or Firm*—Stoel Rives LLP

(57) **CLAIM**

We claim the ornamental design for a compact spotting scope, as shown and described.

DESCRIPTION

FIG. 1 is a perspective view of a compact spotting scope, in which dashed lines indicate environmental features of a tripod mounting adapter, a lanyard mount, a side focus knob and turret, eyepiece cup ribbing, and surface indicia;

FIG. 2 is an objective end elevation view of the compact spotting scope of FIG. 1;

FIG. 3 is an eyepiece end elevation view of the compact spotting scope of FIG. 1;

FIG. 4 is a top plan view of the compact spotting scope of FIG. 1;

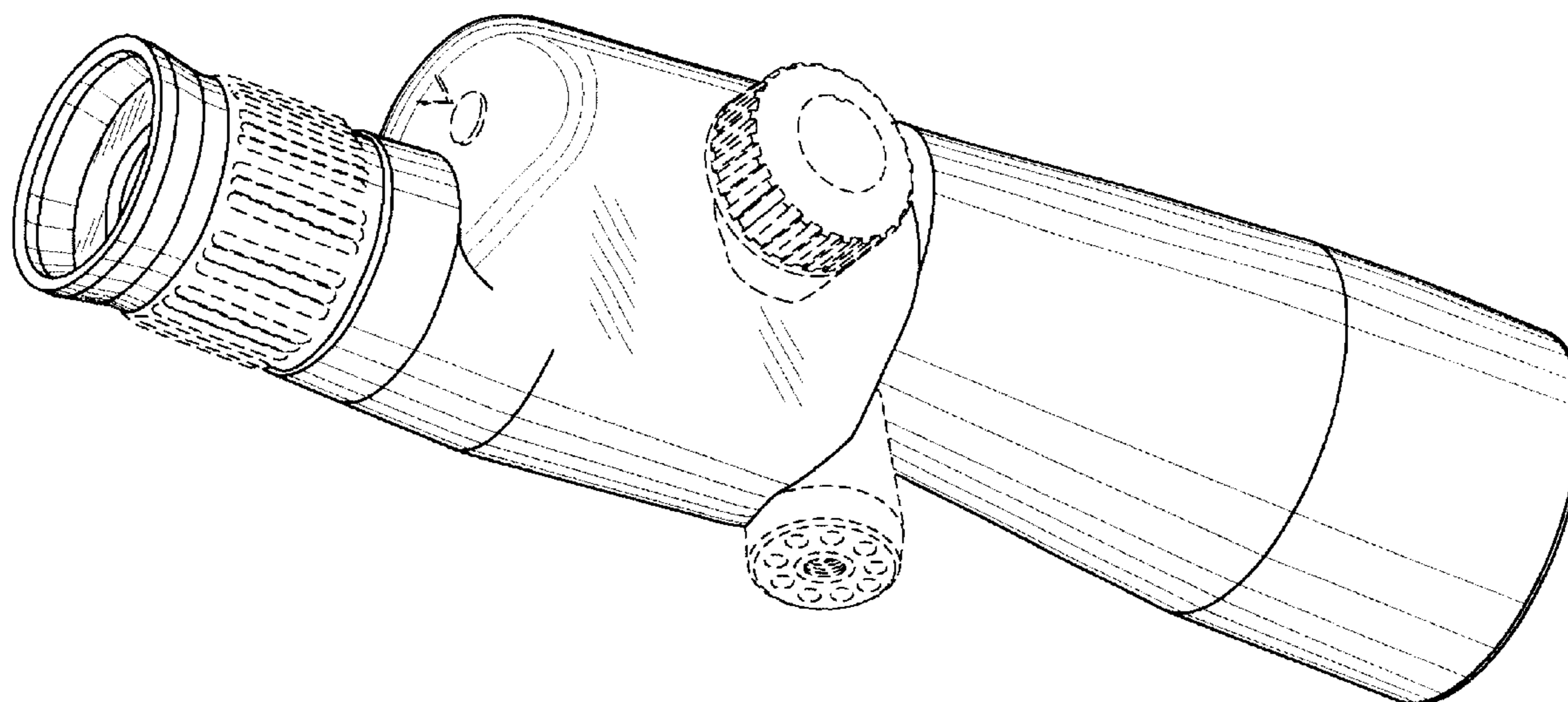
FIG. 5 is a left side elevation view of the compact spotting scope of FIG. 1;

FIG. 6 is a bottom plan view of the compact spotting scope of FIG. 1; and,

FIG. 7 is a right side elevation view of the compact spotting scope of FIG. 1.

In FIGS. 1–7, the dashed lines indicate environmental structure that forms no part of the claimed design.

1 Claim, 2 Drawing Sheets



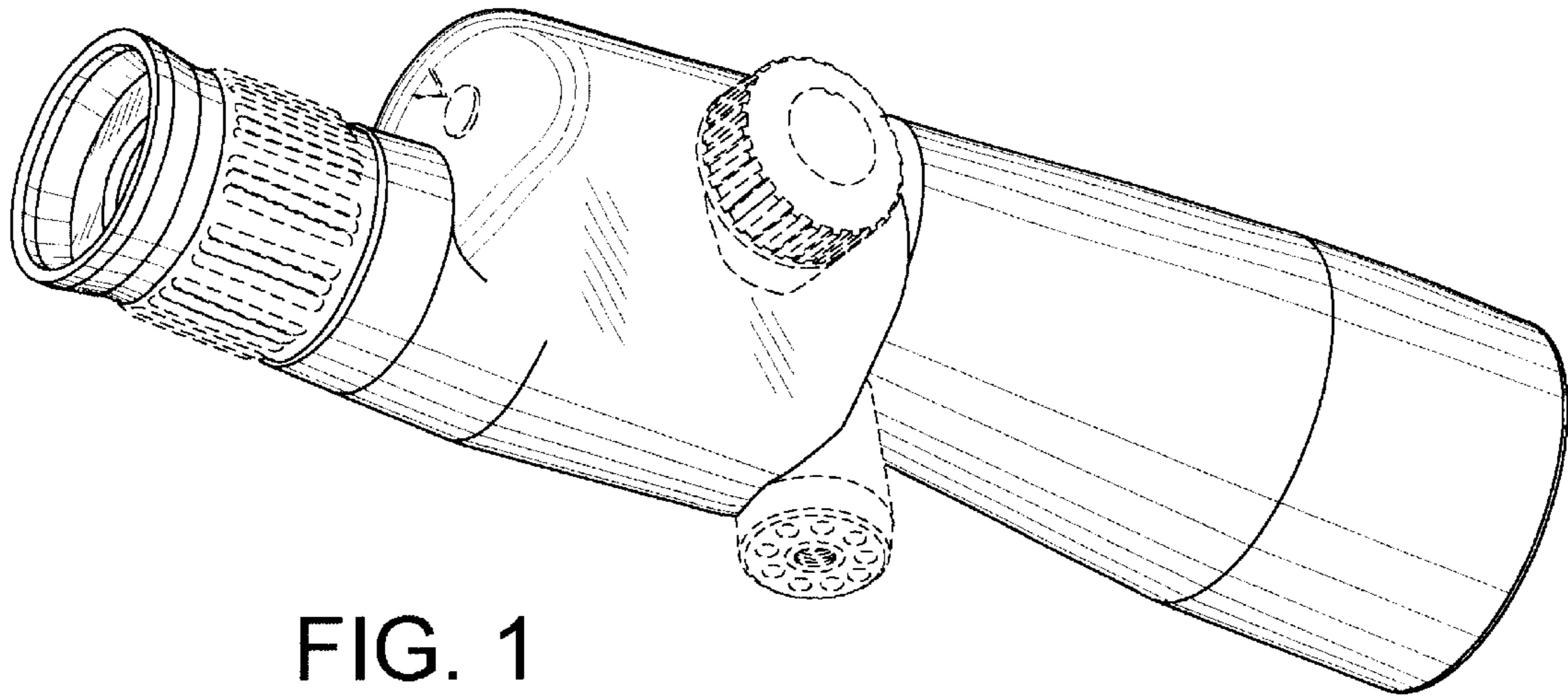


FIG. 1

FIG. 2

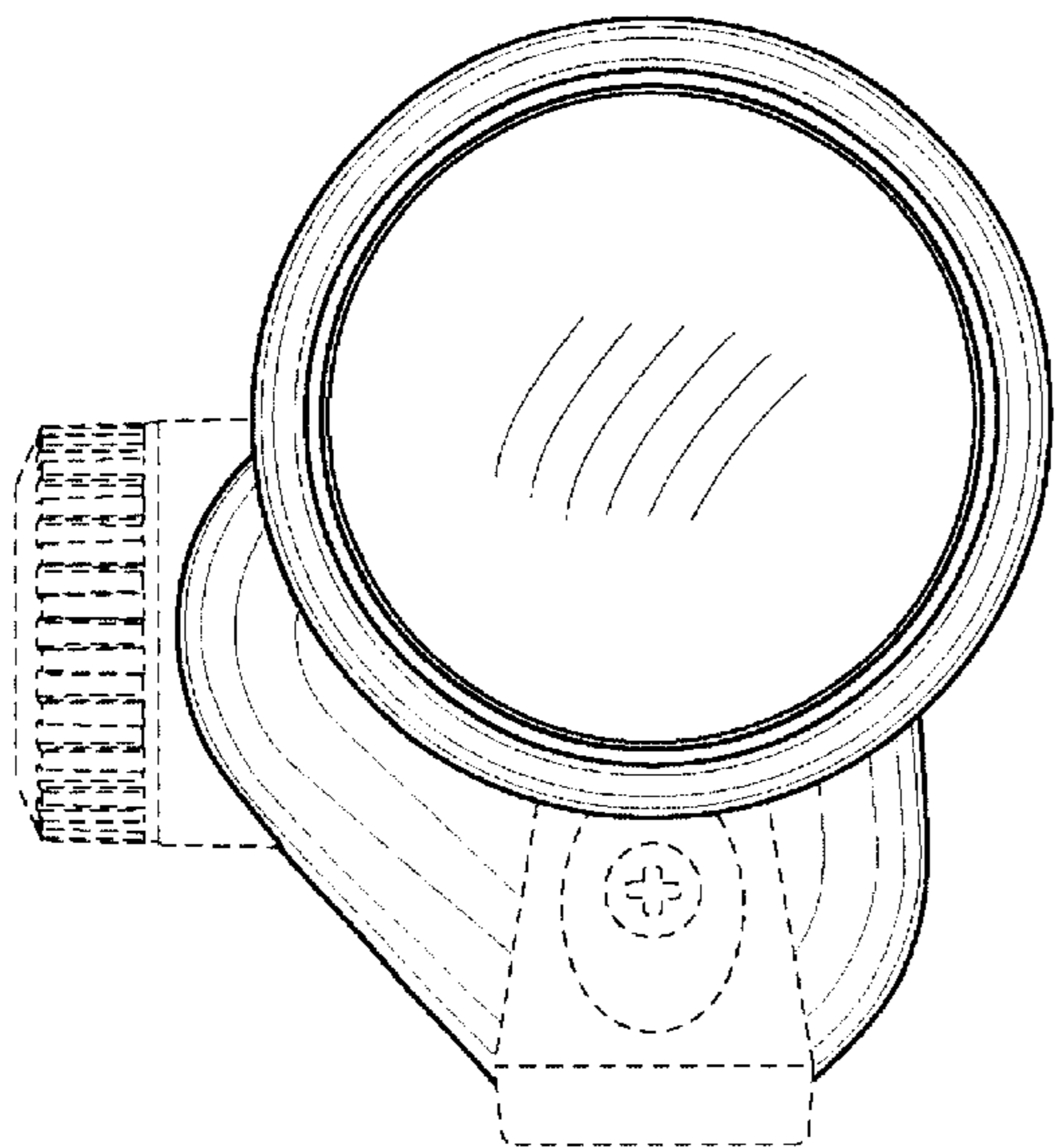
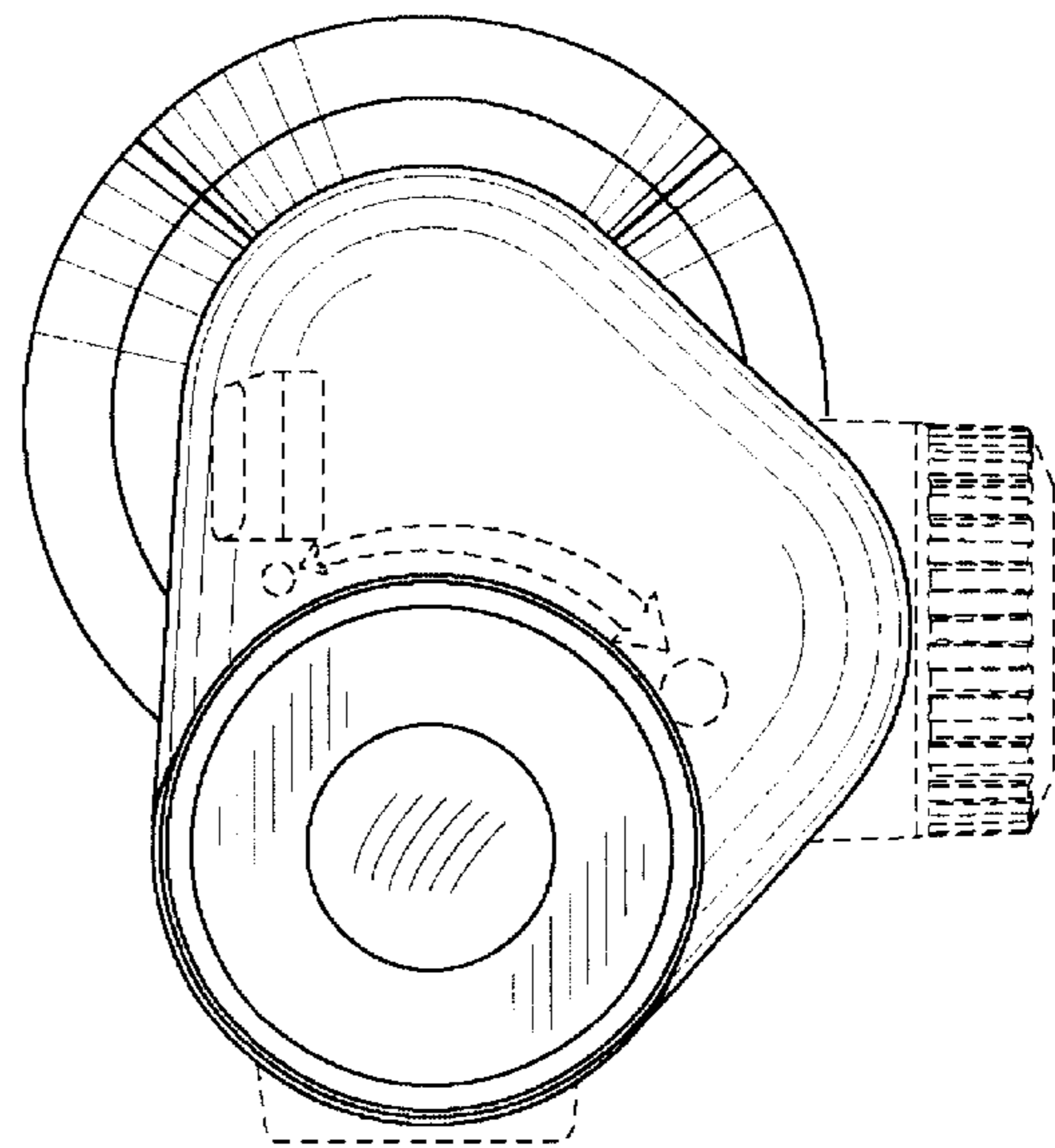


FIG. 3



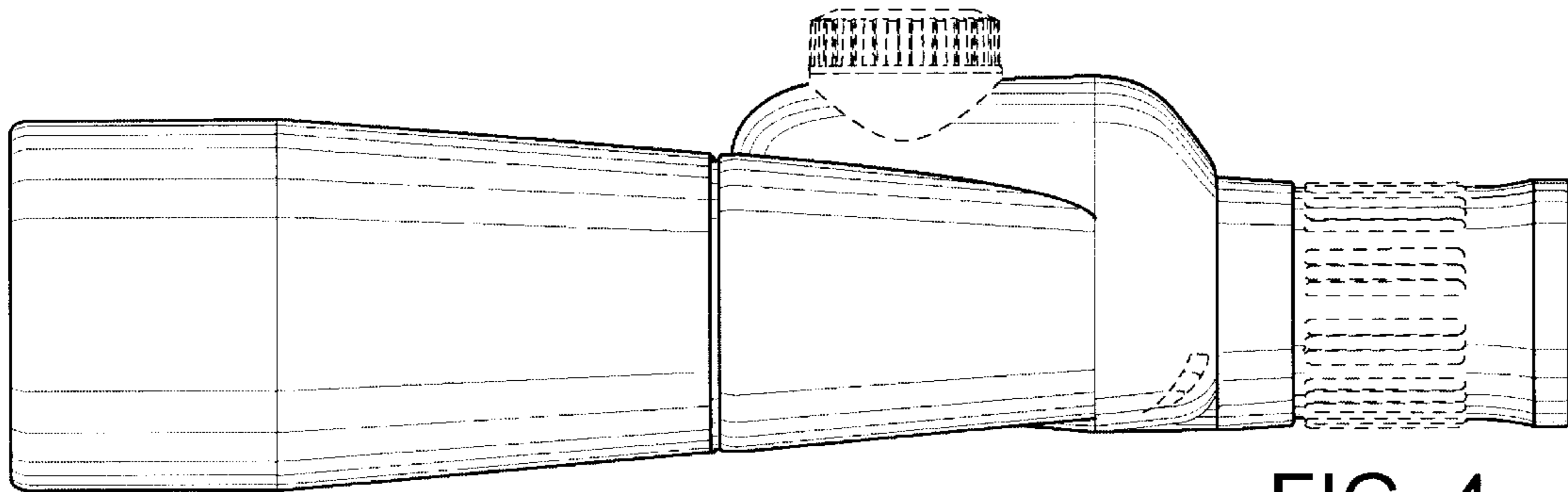


FIG. 4

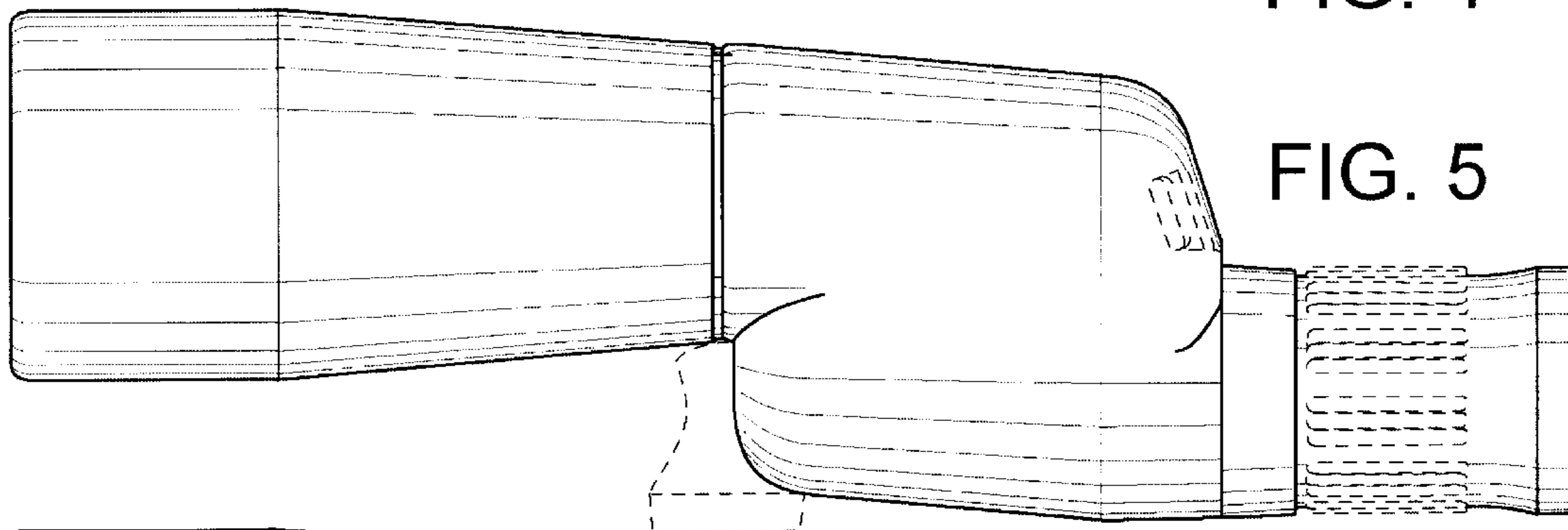


FIG. 5

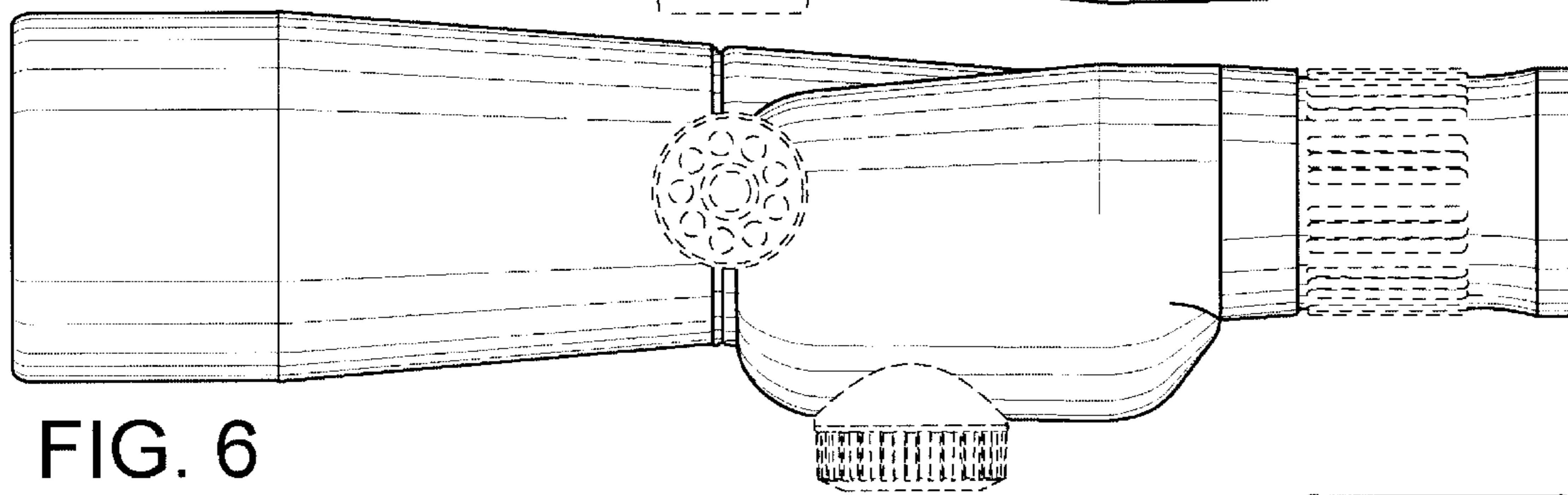


FIG. 6

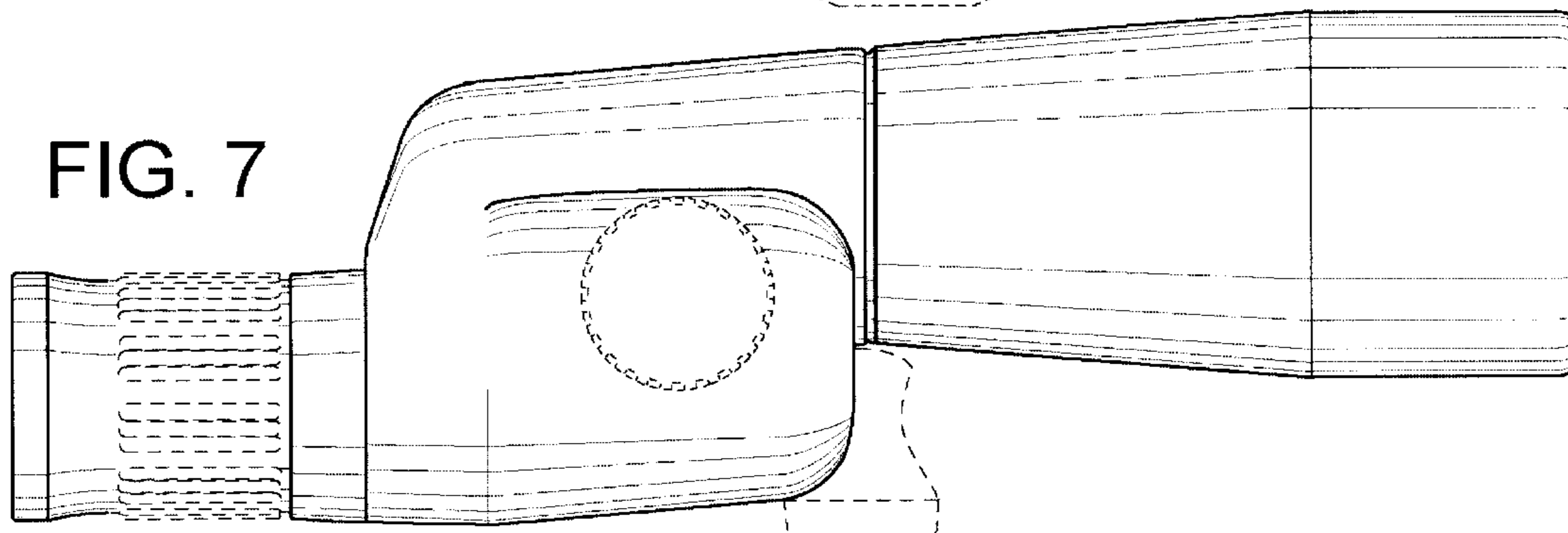


FIG. 7