



US00D512448S

(12) **United States Design Patent**
Christianson

(10) **Patent No.:** **US D512,448 S**
(45) **Date of Patent:** **** Dec. 6, 2005**

(54) **WATCH WINDER**

(57) **CLAIM**

(75) **Inventor:** **Tristan M. Christianson**, San Francisco, CA (US)

The ornamental design for a watch winder, as shown and described.

(73) **Assignee:** **Sharper Image Corporation**, San Francisco, CA (US)

DESCRIPTION

(**) **Term:** **14 Years**

FIG. 1 is a front perspective view of a watch winder in closed position, showing my new design;
FIG. 2 is a rear perspective view thereof;
FIG. 3 is a front view thereof;
FIG. 4 is a rear view thereof;
FIG. 5 is a right side view thereof, a left side view being a mirror image;
FIG. 6 is a top view thereof;
FIG. 7 is a bottom view thereof.
FIG. 8 is a front perspective view of a watch winder in open position;
FIG. 9 is a front view thereof;
FIG. 10 is a front perspective view of a watch winder in rotated position;
FIG. 11 is a front view thereof; and,
FIG. 12 is a top view thereof.
Rear perspective view, rear view, left side view, right side view and bottom view in both open and rotated positions are the same as those in closed position, and thus omitted.
The portions shown in broken lines in FIGS. 1-12 are for illustrative purposes only and form no part of the claimed design.

(21) **Appl. No.:** **29/216,905**

(22) **Filed:** **Nov. 10, 2004**

(51) **LOC (8) Cl.** **15-99**

(52) **U.S. Cl.** **D15/199**

(58) **Field of Search** D15/199; 368/10, 368/49-50, 206-213, 216, 327; 81/7.5

(56) **References Cited**

U.S. PATENT DOCUMENTS

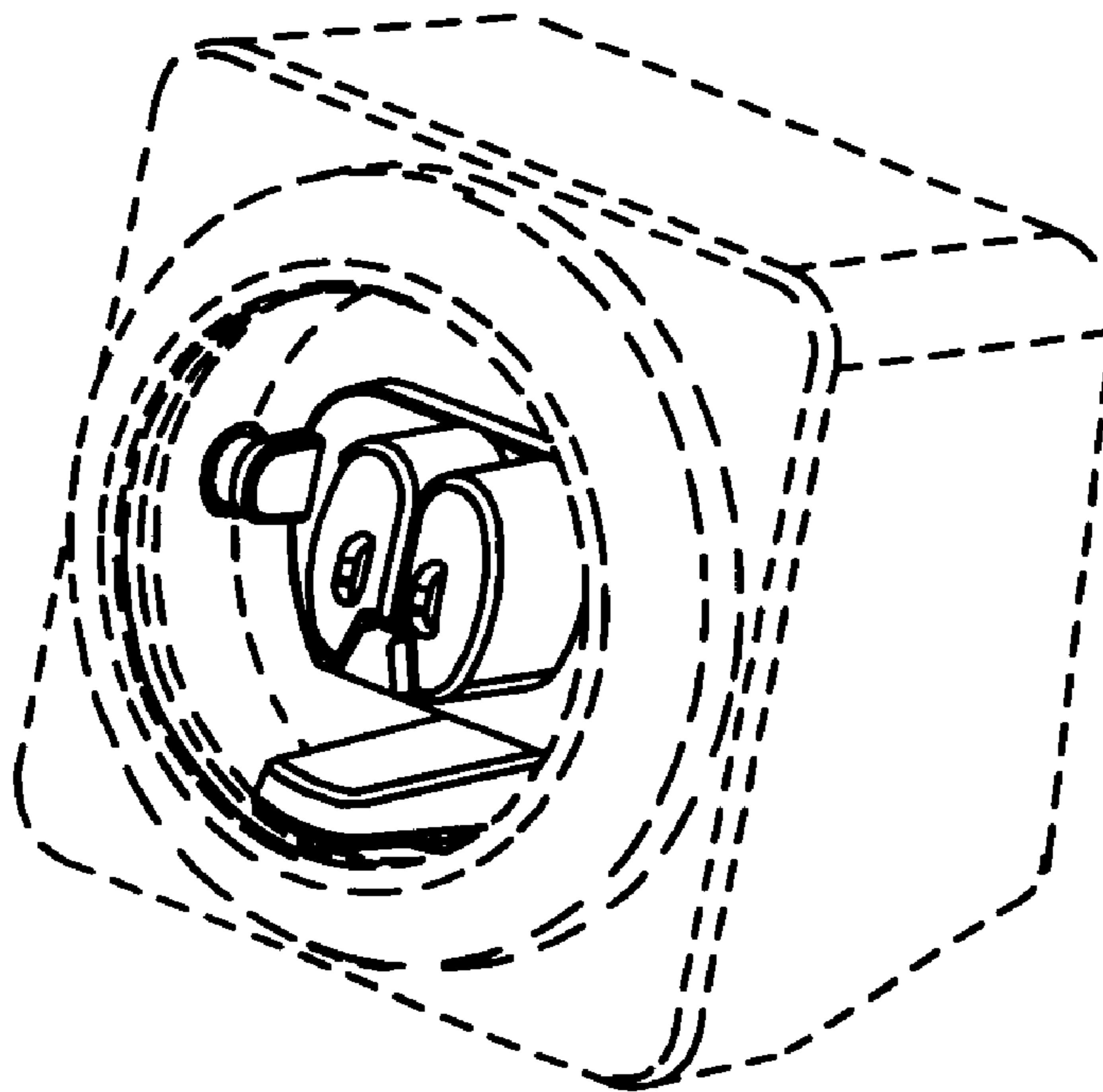
D440,583 S *	4/2001	Greene, Jr.	D15/199
6,254,270 B1 *	7/2001	Agnoff	368/206
6,439,761 B1 *	8/2002	Agnoff	368/206
6,543,929 B1 *	4/2003	Agnoff	368/206

* cited by examiner

Primary Examiner—Antoine D. Davis

(74) *Attorney, Agent, or Firm*—Bell, Boyd & Lloyd LLC

1 Claim, 4 Drawing Sheets



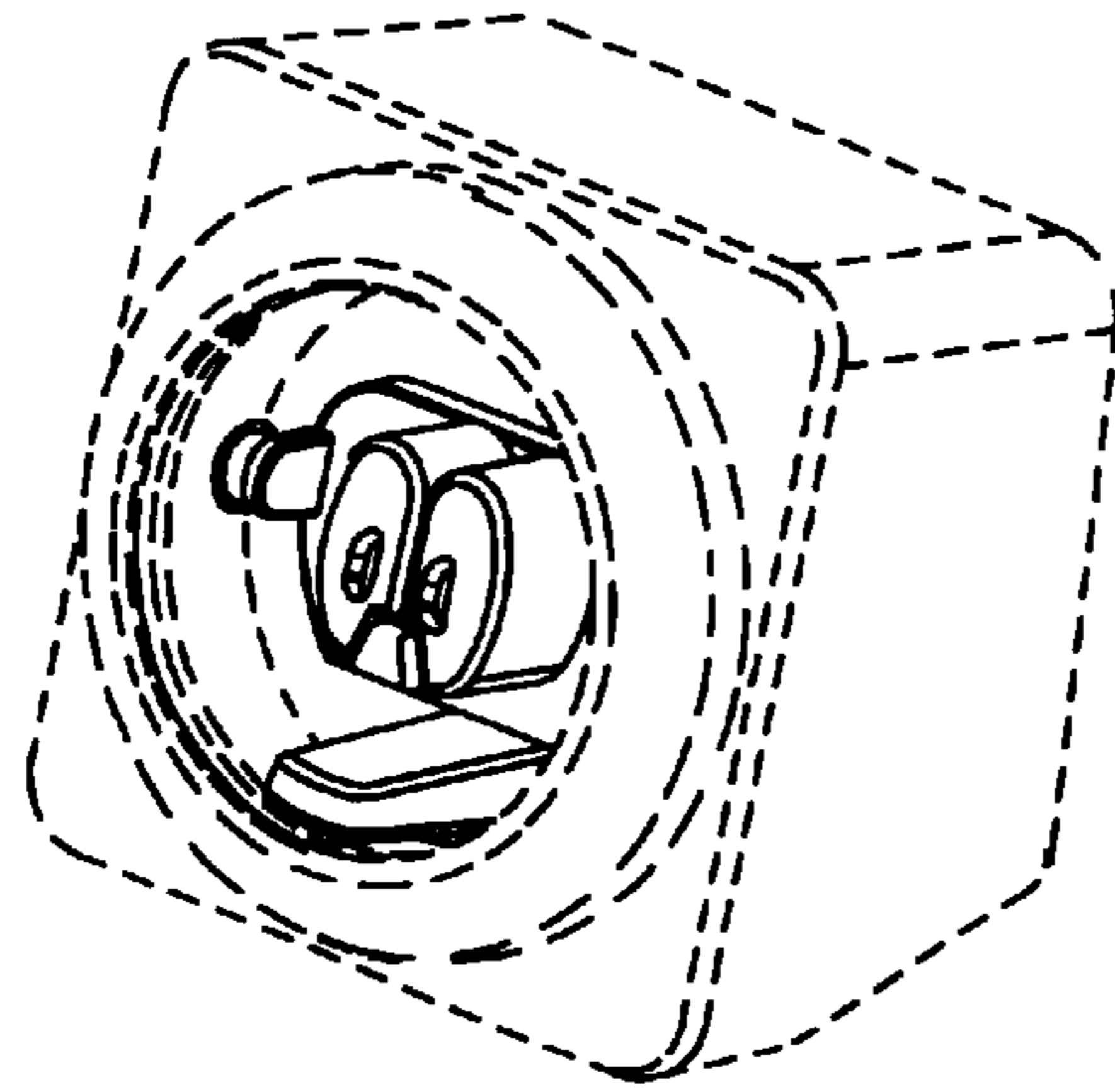


FIG. 1

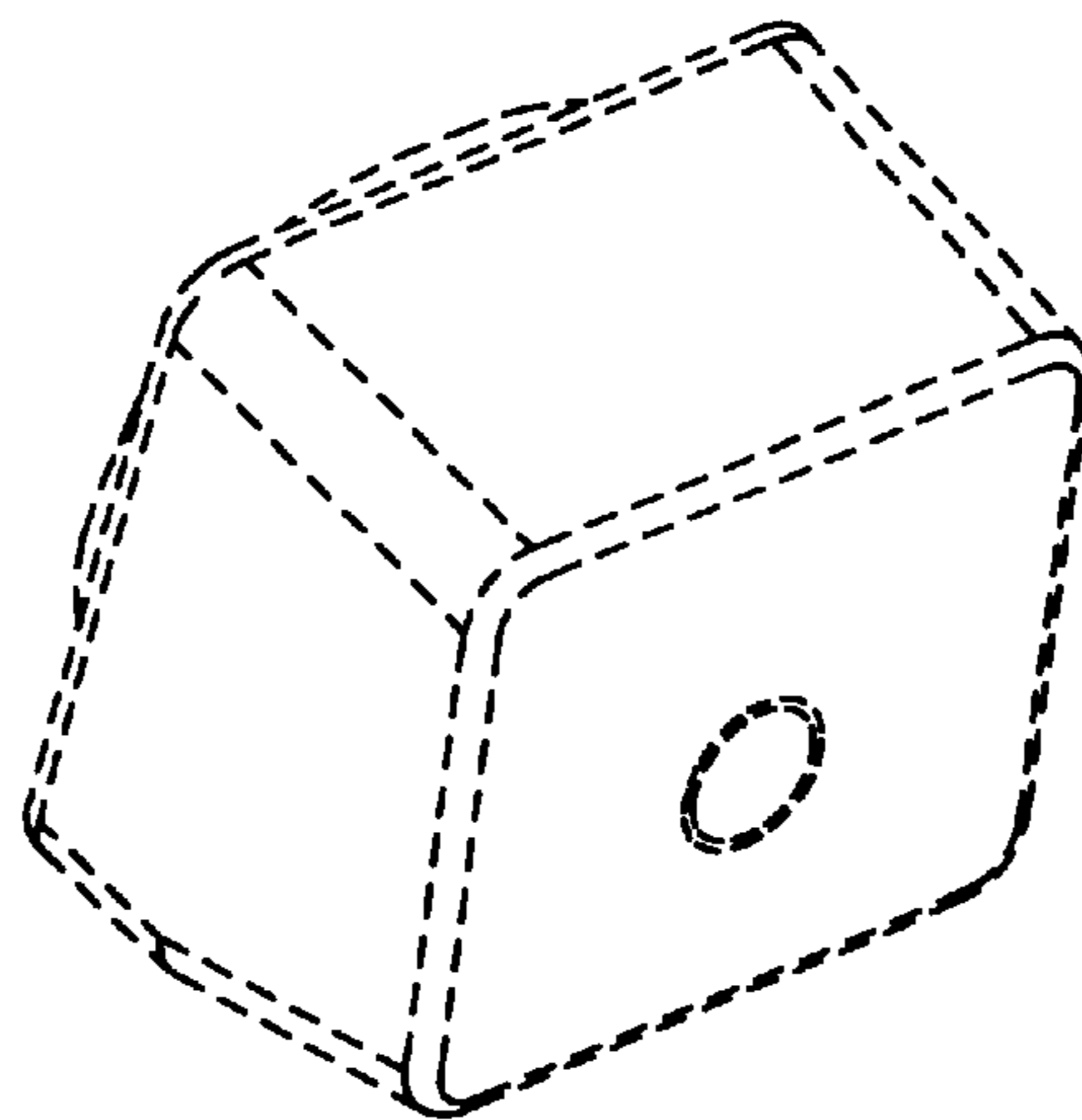


FIG. 2

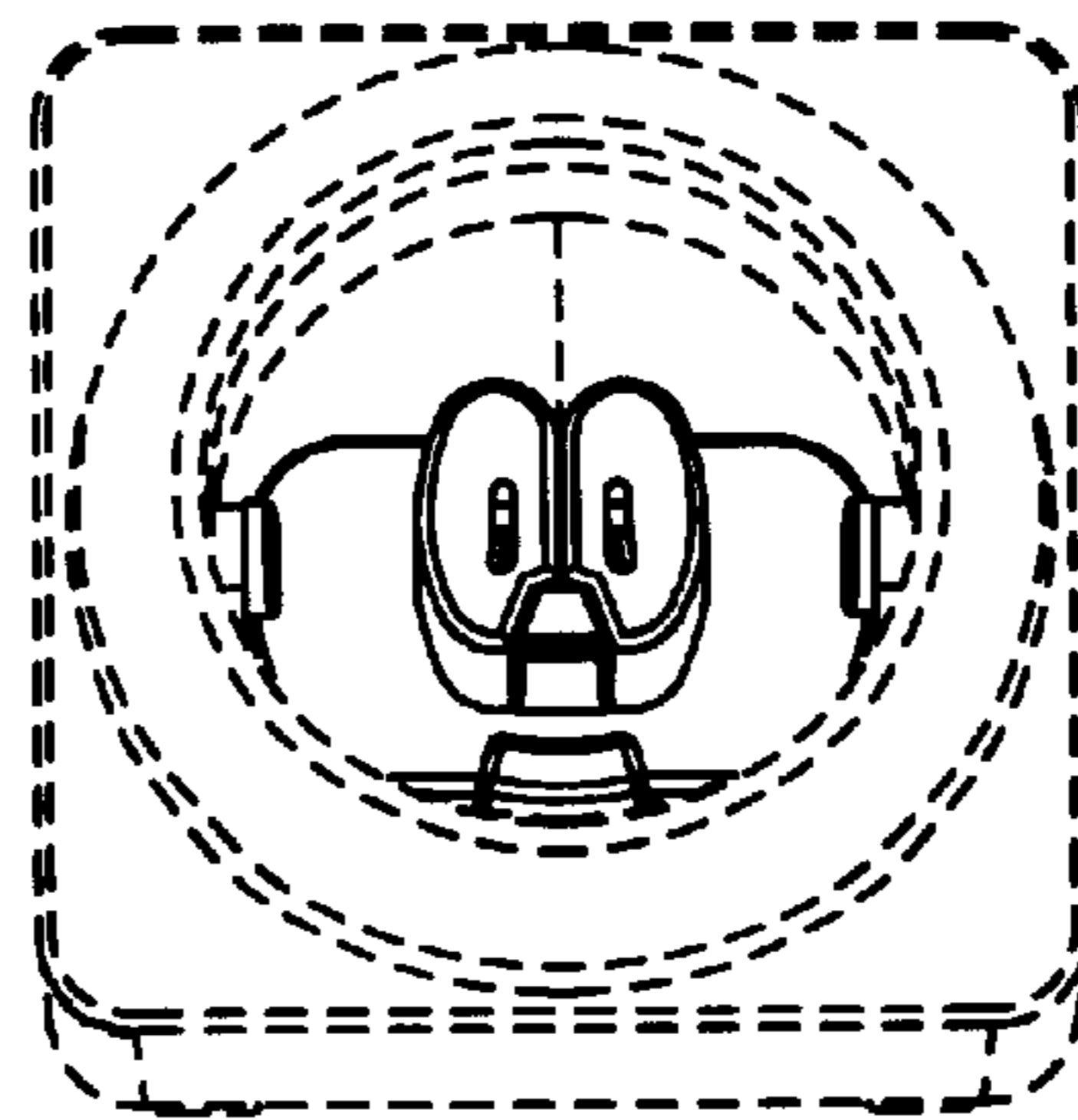


FIG. 3

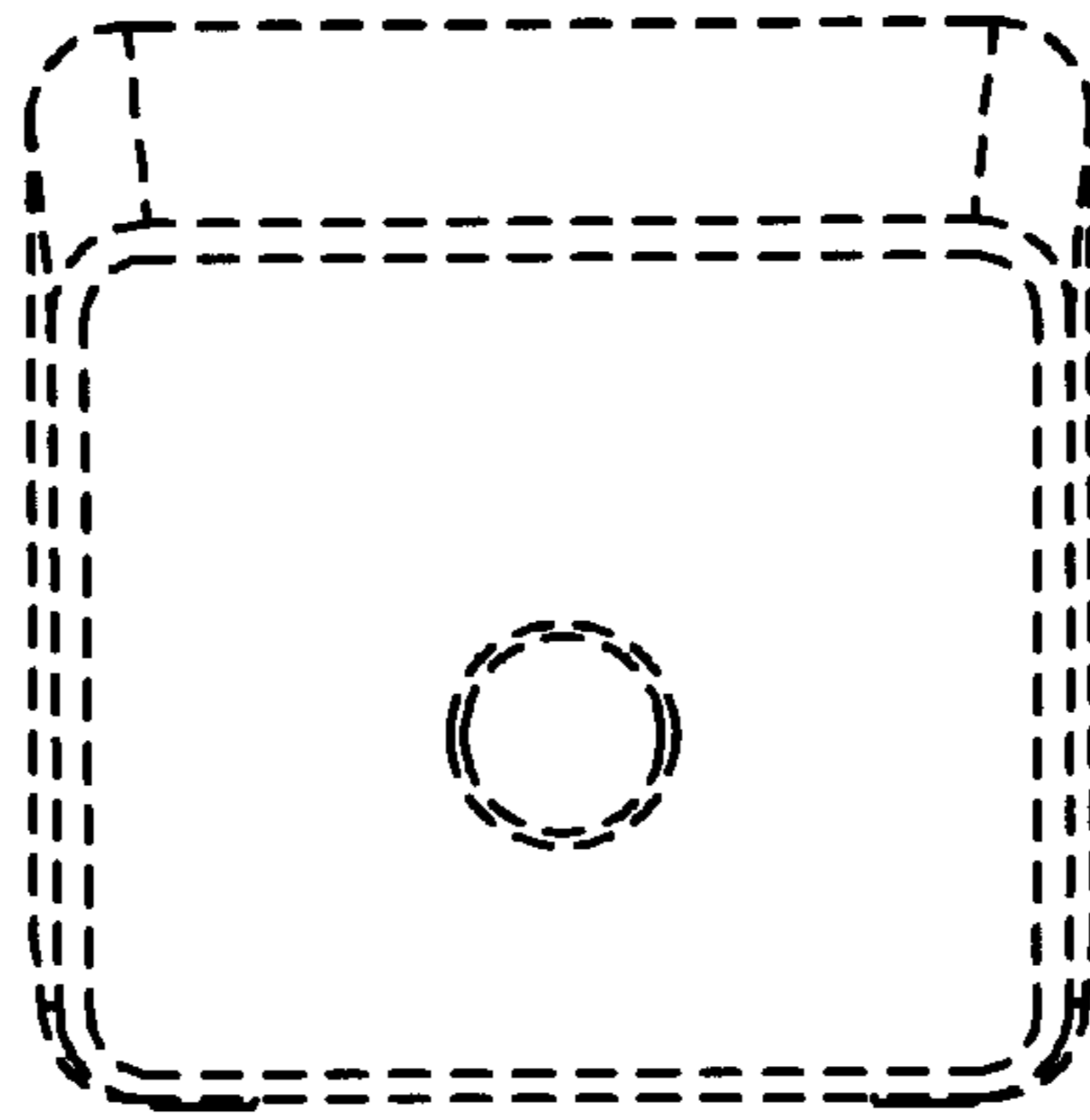


FIG. 4

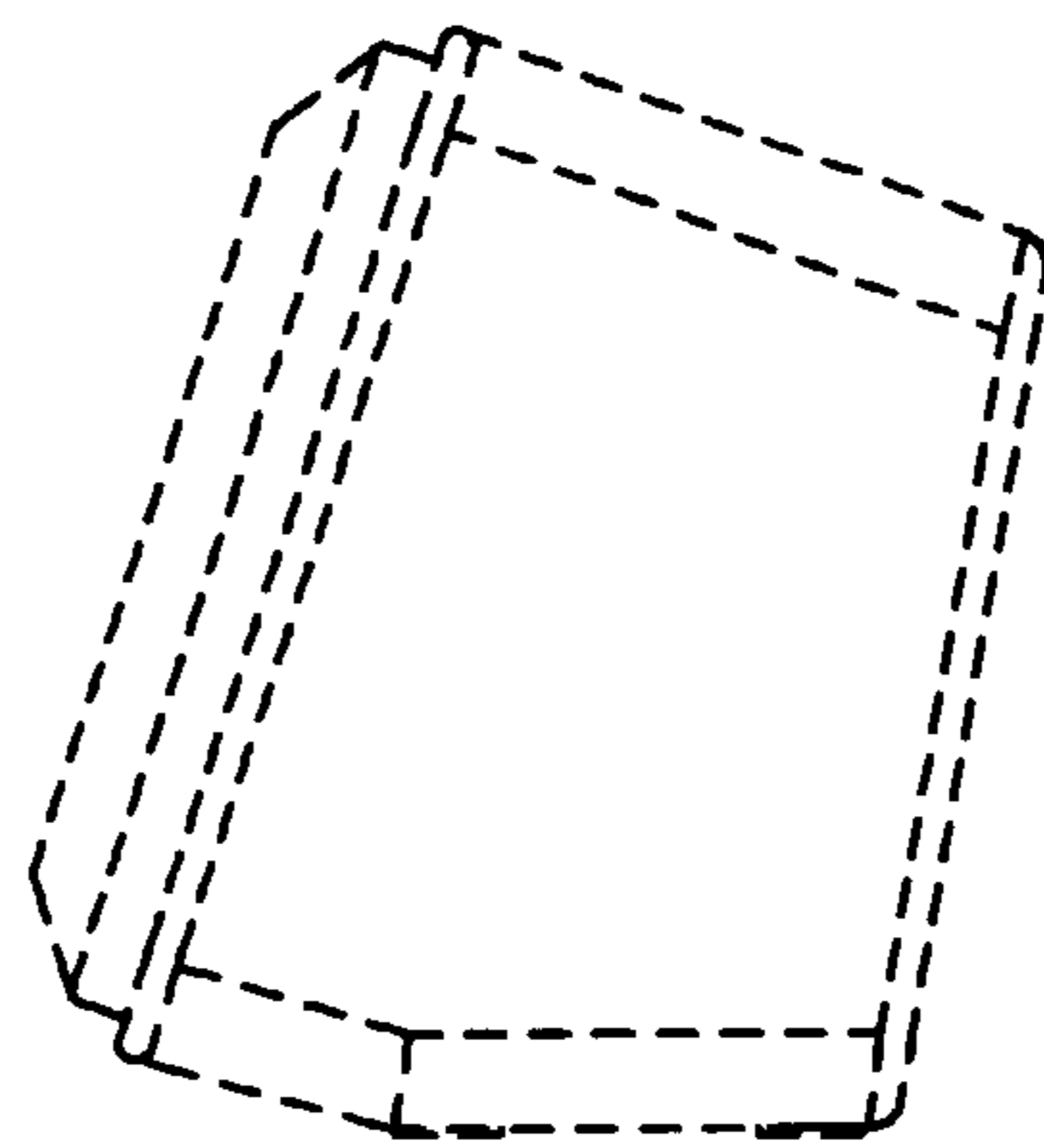


FIG. 5

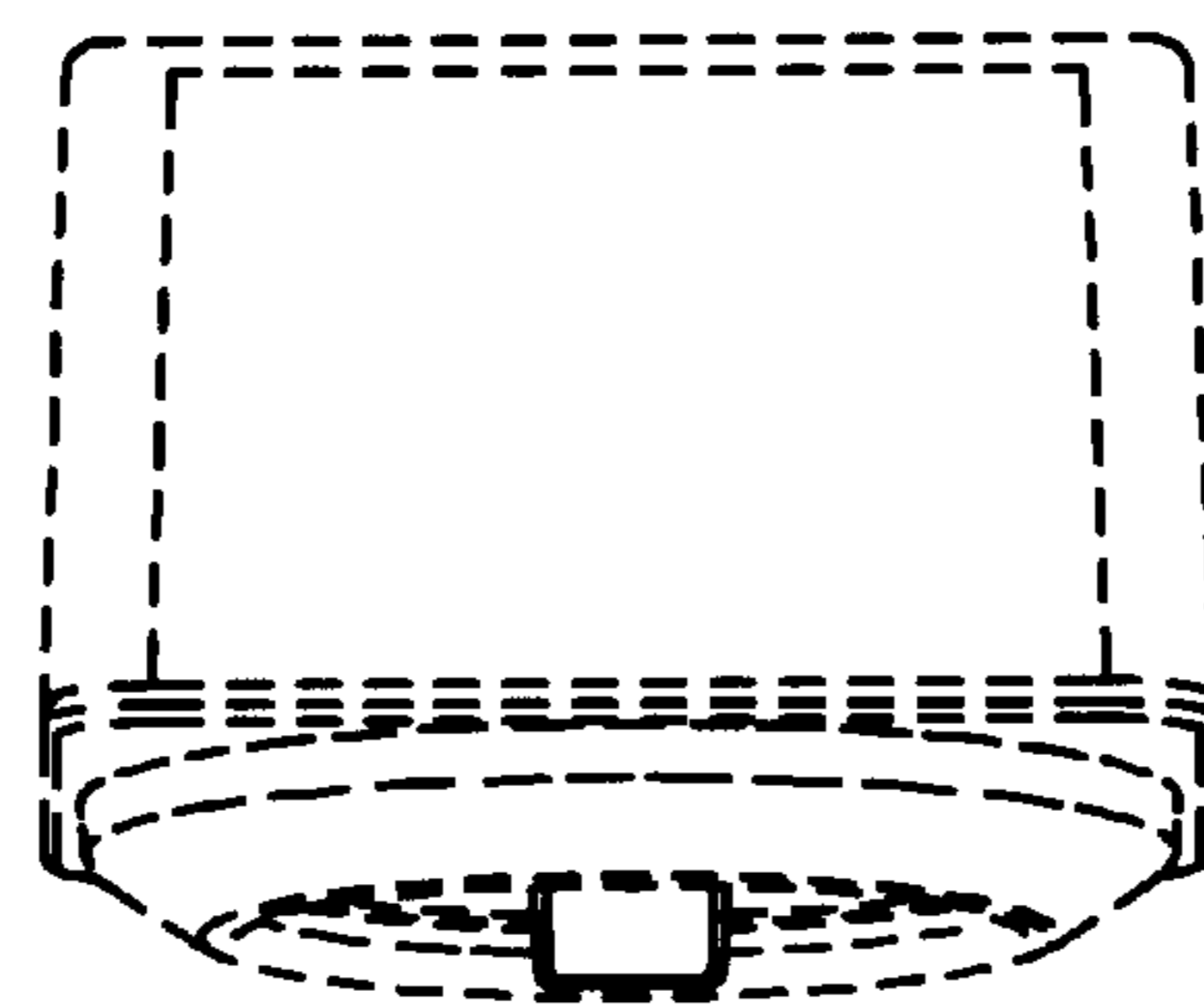


FIG. 6

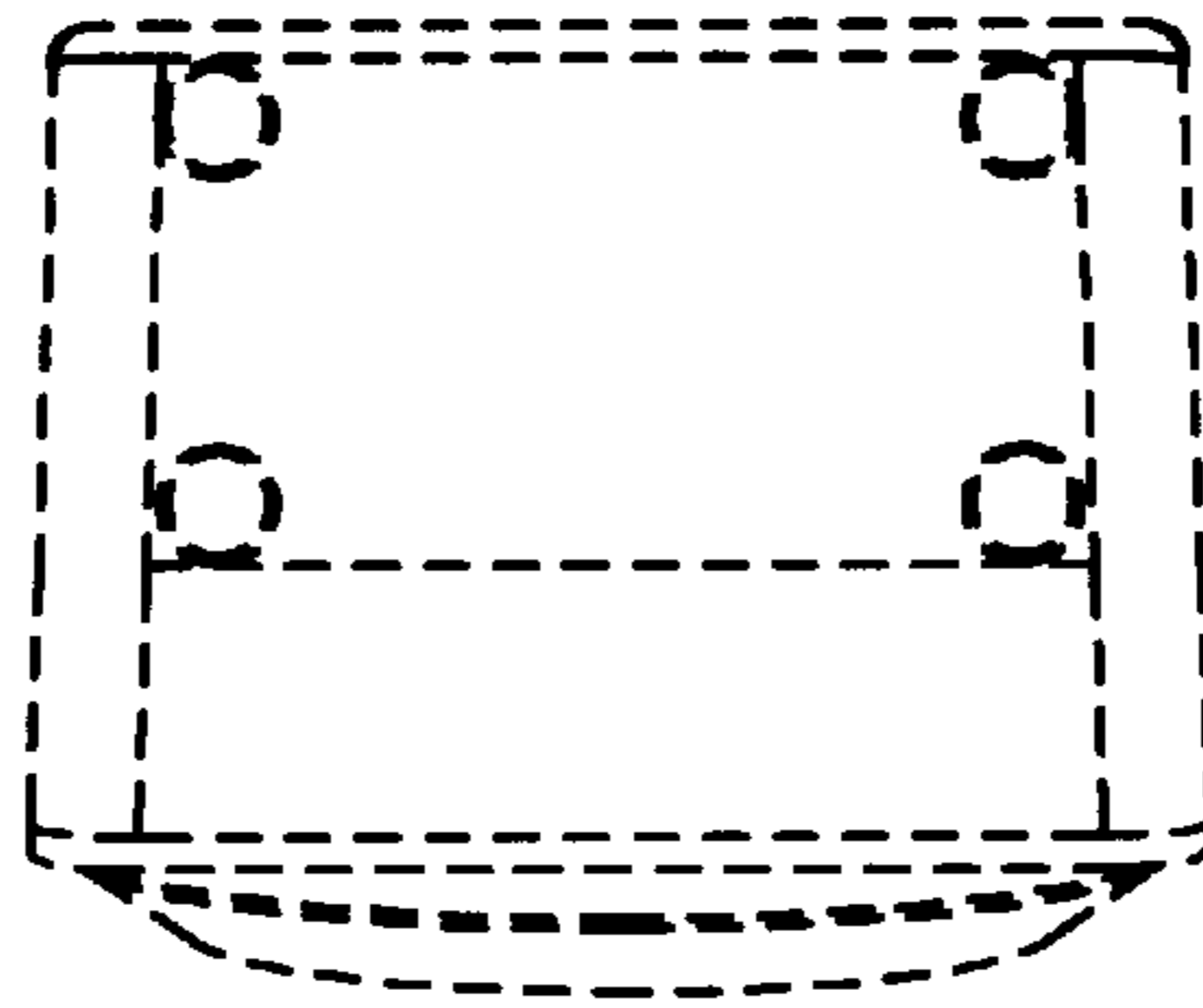


FIG. 7

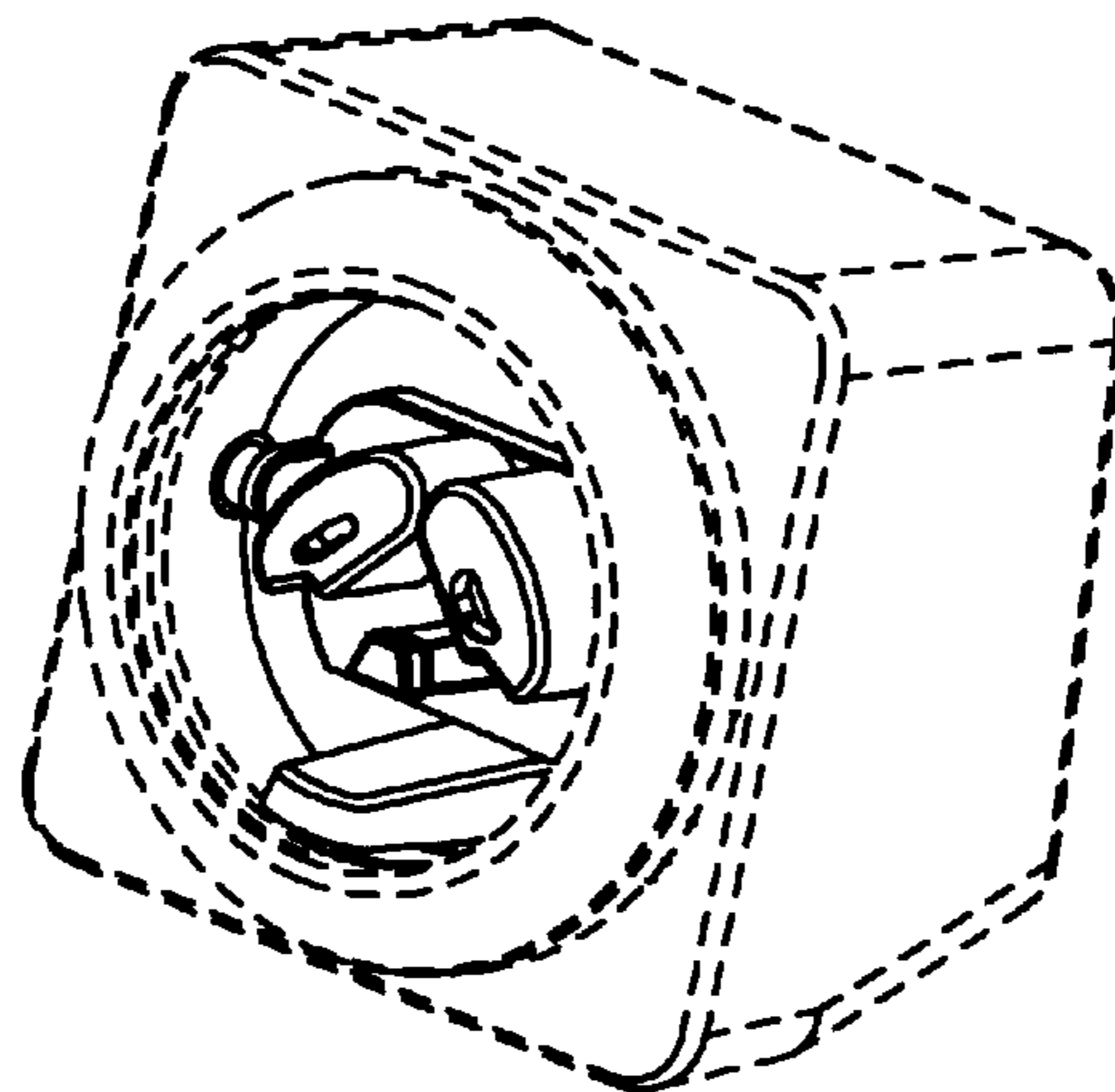


FIG. 8

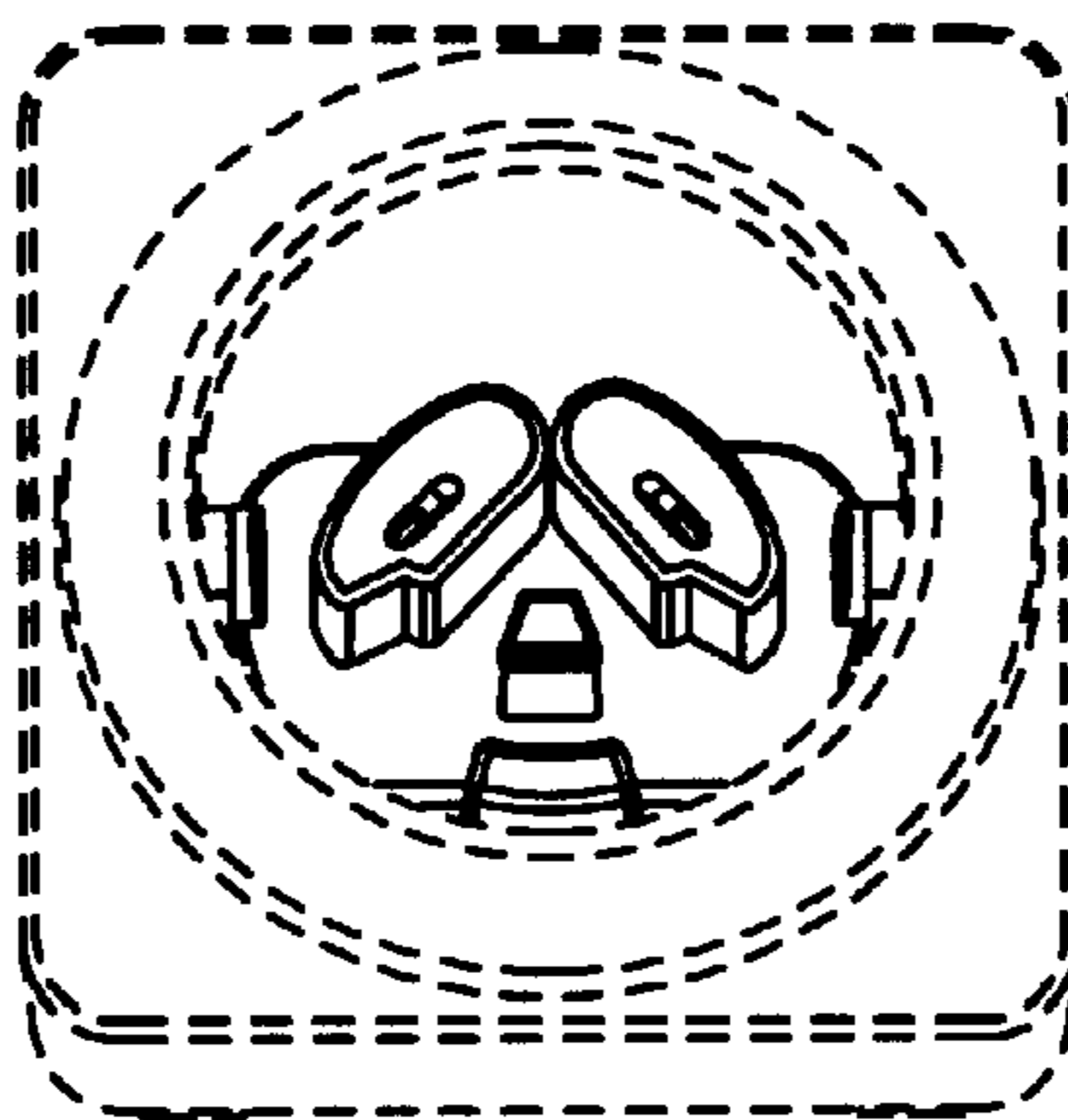


FIG. 9

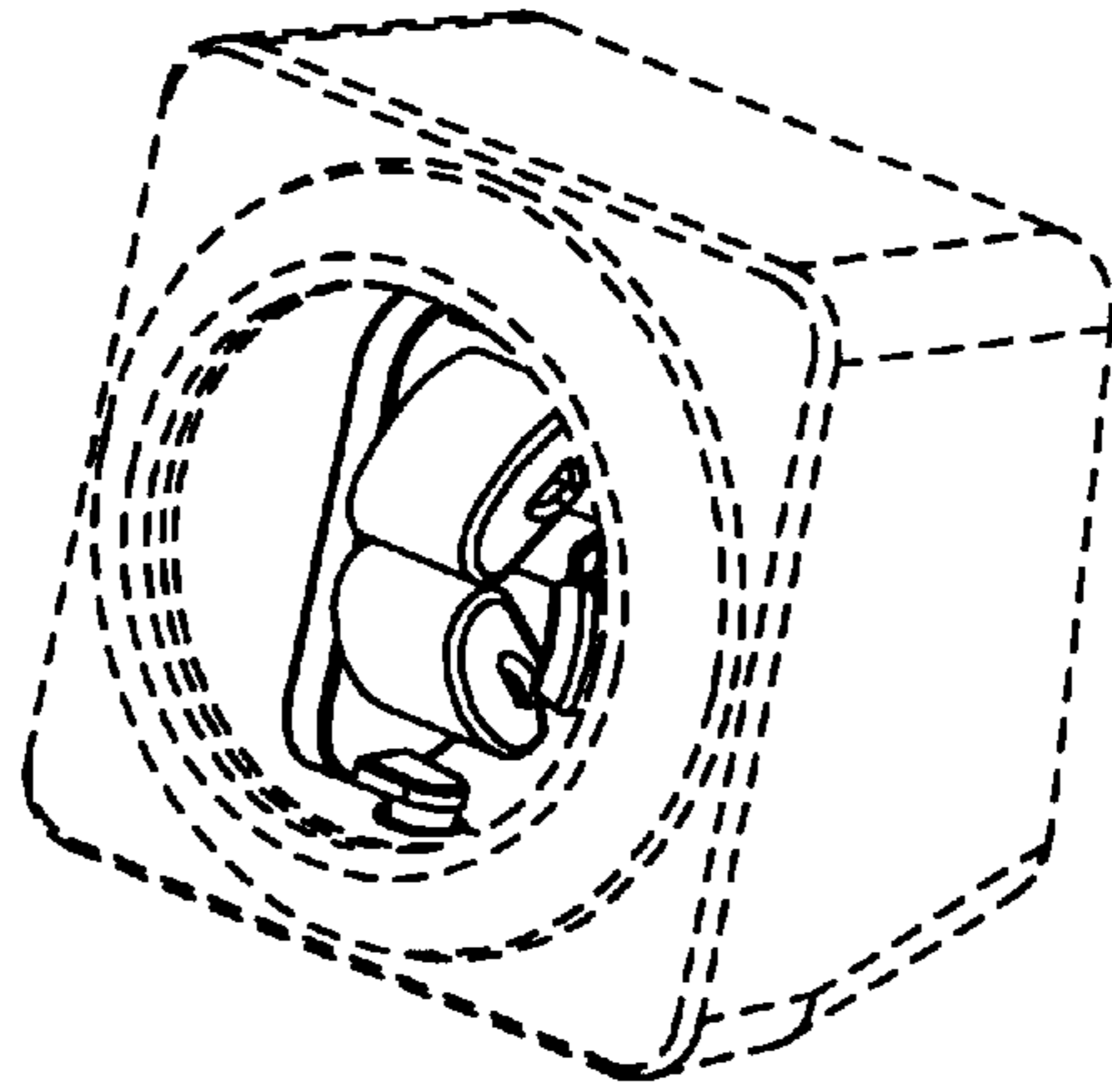


FIG. 10

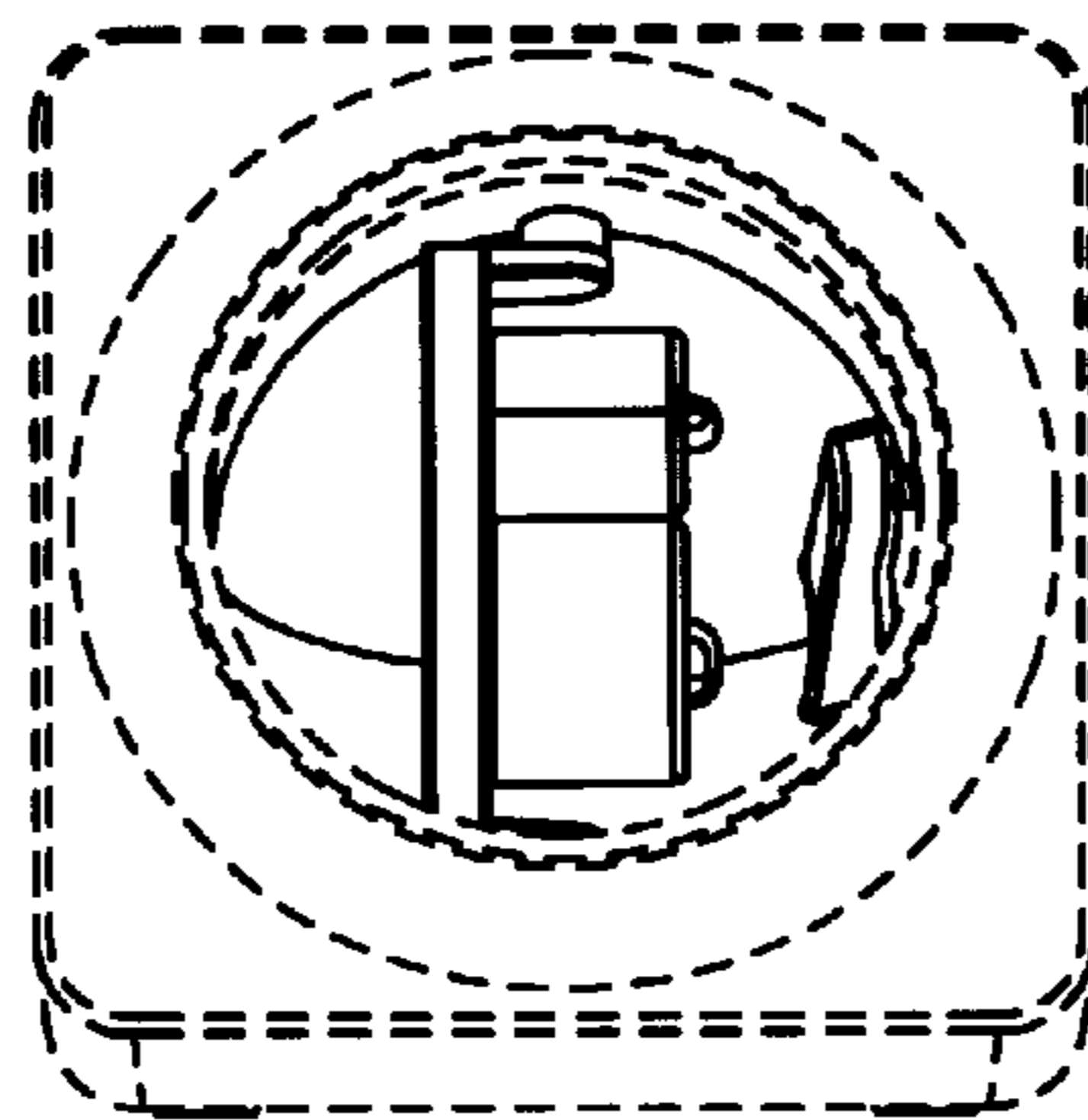


FIG. 11

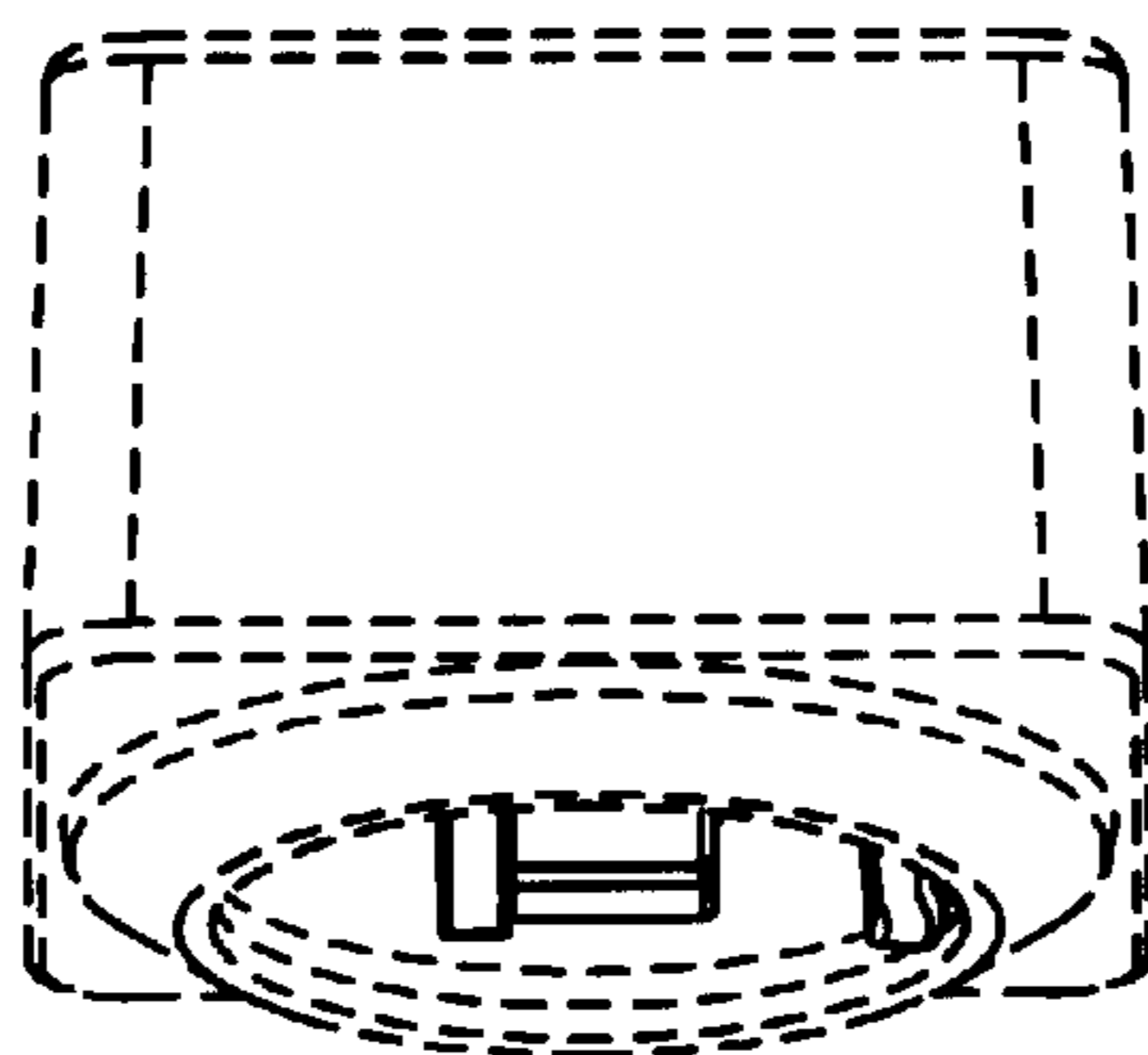


FIG. 12