



US00D512444S

(12) **United States Design Patent**
Ayers et al.

(10) **Patent No.:** **US D512,444 S**
(45) **Date of Patent:** **** Dec. 6, 2005**

(54) **RIDING MOWER**

(75) Inventors: **Curtis Dwayne Ayers**, Willow Springs, NC (US); **Stephen Gerard Miggels**, Wyckoff, NJ (US); **Alberto Mantilla**, Rego Park, NY (US); **Anthony John Baxter**, New York, NY (US)

(73) Assignee: **Deere & Company**, Moline, IL (US)

(**) Term: **14 Years**

(21) Appl. No.: **29/209,300**

(22) Filed: **Jul. 14, 2004**

(51) **LOC (8) Cl.** **15-03**

(52) **U.S. Cl.** **D15/15**

(58) **Field of Search** D15/14-18, 10;
56/13.4, 16.6, 16.7, 202, 255, 320.1, 320.2,
13.3, 15.8; 180/89.12, 900

(56) **References Cited**

U.S. PATENT DOCUMENTS

D359,740 S * 6/1995 Crosby et al. D15/15

D398,311 S * 9/1998 Smith D15/15
D409,208 S * 5/1999 Eavenson et al. D15/15
D450,330 S * 11/2001 Katoh et al. D15/15
D486,160 S * 2/2004 Higashikawa et al. D15/15
D495,718 S * 9/2004 Higashikawa D15/15

* cited by examiner

Primary Examiner—Stella Reid
Assistant Examiner—Mark A. Goodwin

(57) **CLAIM**

The ornamental design for a riding mower, as shown and described.

DESCRIPTION

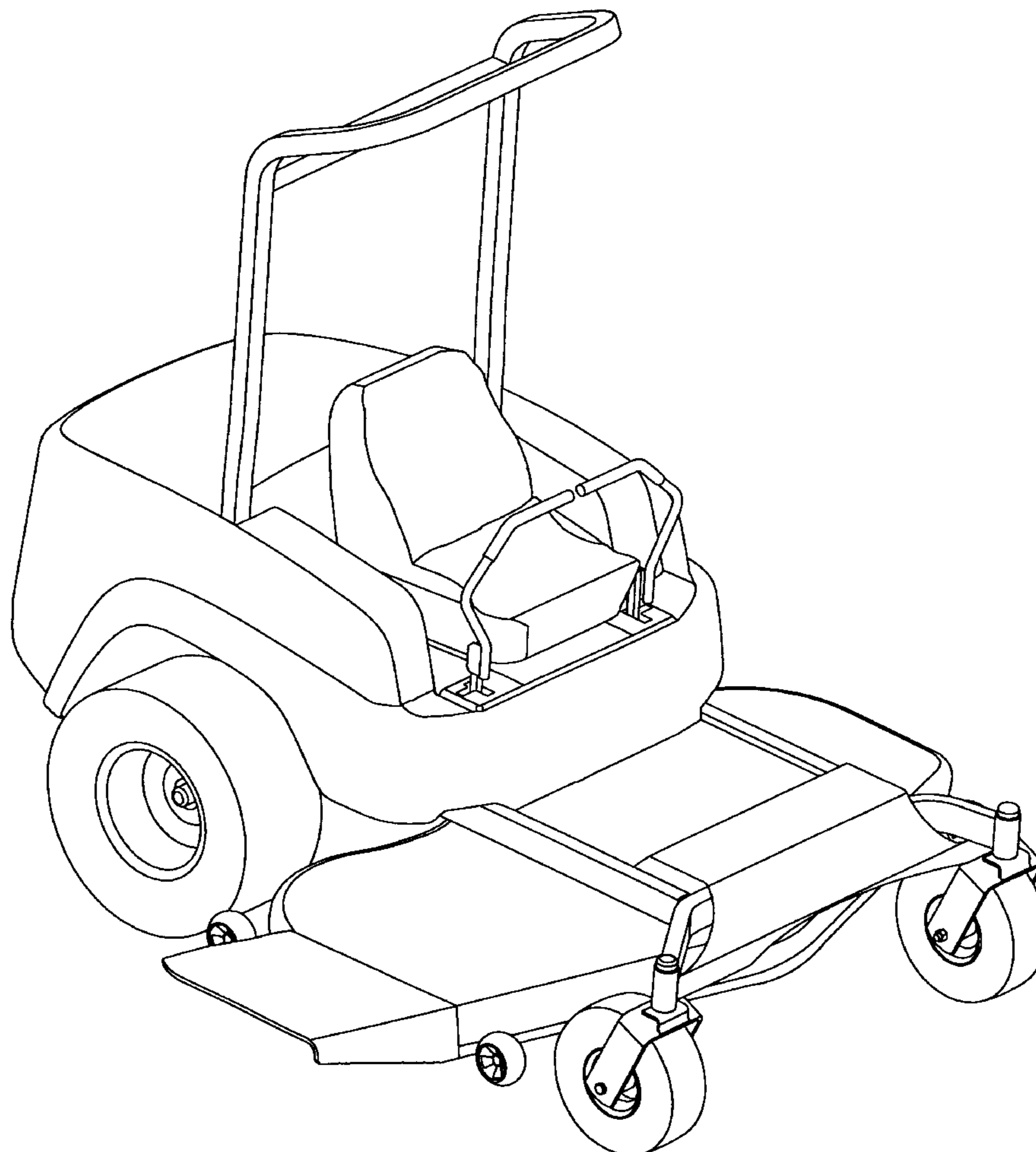
FIG. 1 is a front right side perspective view of a riding mower showing our new design.

FIG. 2 is a rear view of the riding mower design of FIG. 1.

FIG. 3 is a left side view of the riding mower design of FIG. 1; and,

FIG. 4 is a top view of the riding mower design of FIG. 1.

1 Claim, 4 Drawing Sheets



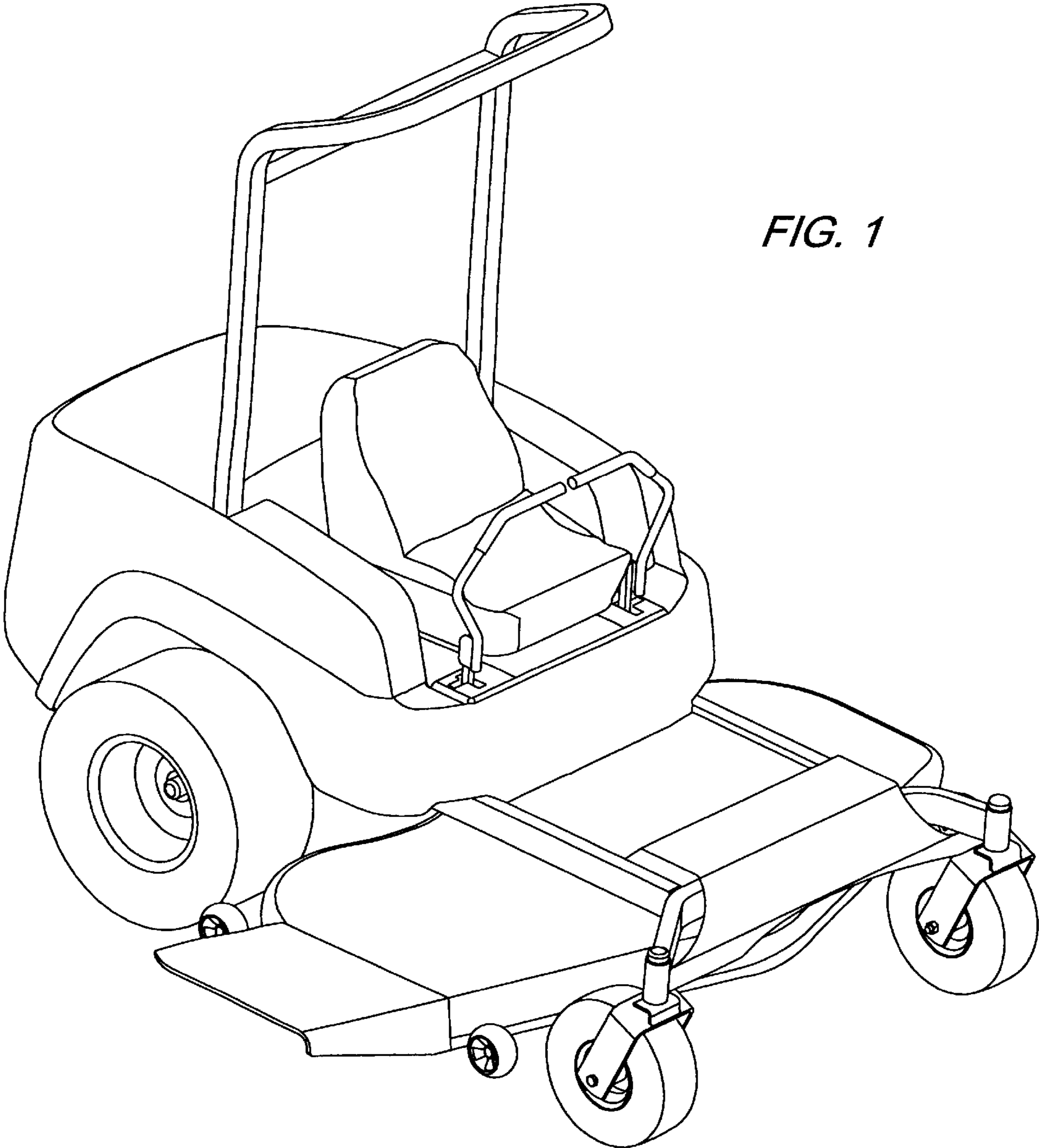
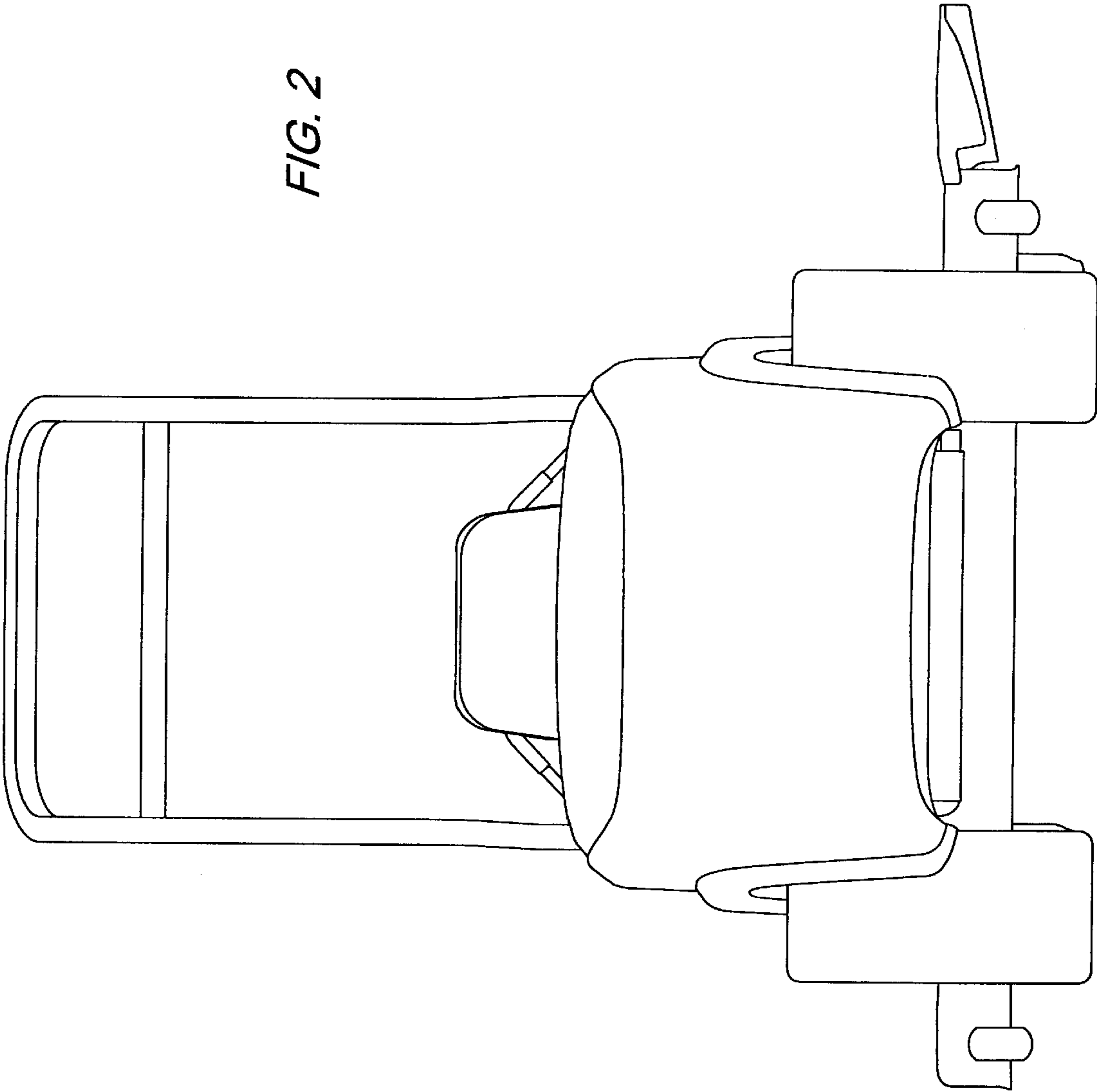


FIG. 1

FIG. 2



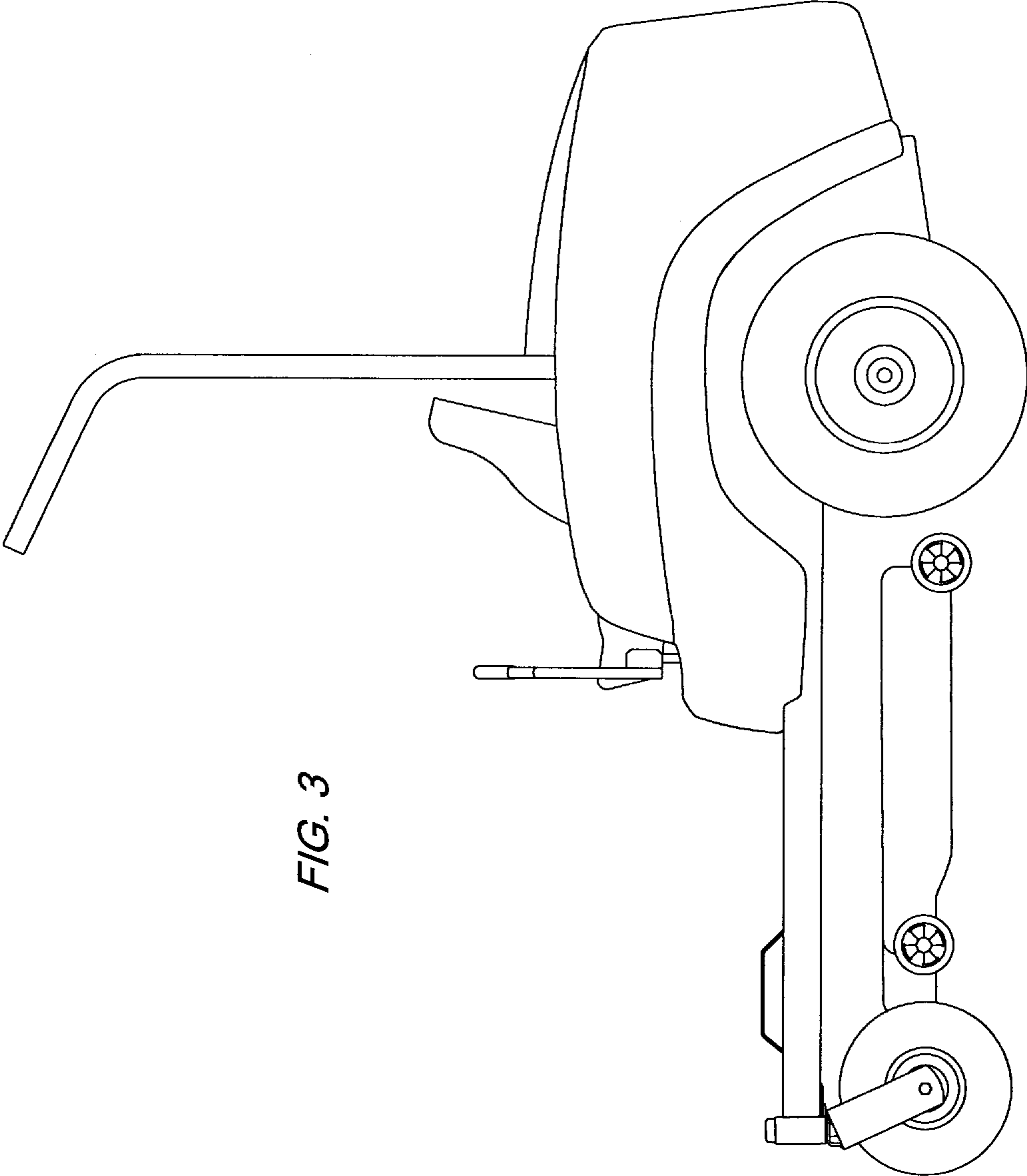


FIG. 3

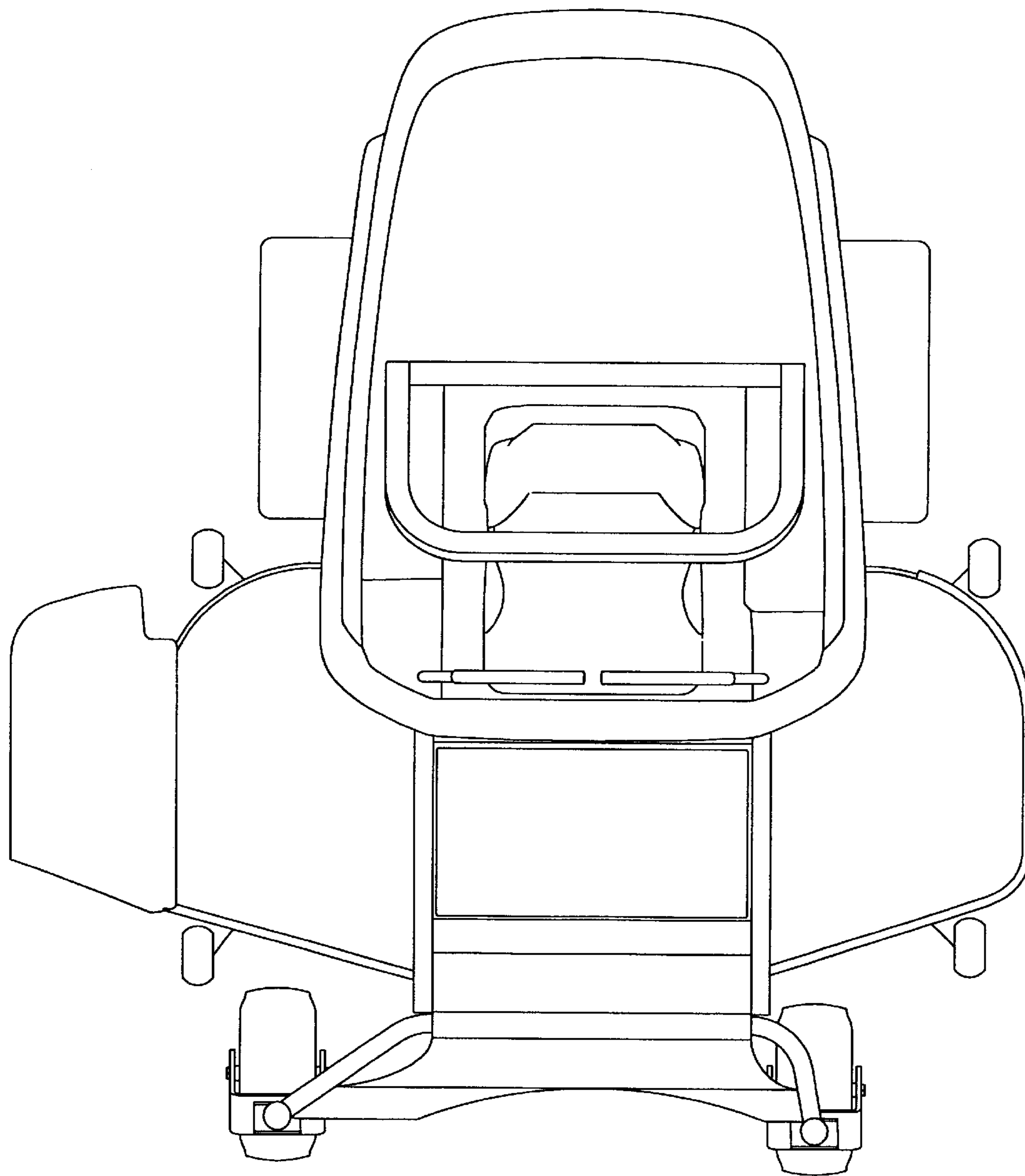


FIG. 4