



US00D512443S

(12) **United States Design Patent** (10) **Patent No.:** **US D512,443 S**
Fatemi (45) **Date of Patent:** **** Dec. 6, 2005**

- (54) **SIDEWALL FOR SNOW PUSHER**
- (75) Inventor: **Ray S. Fatemi**, Fairlawn, OH (US)
- (73) Assignee: **JRB Attachments, LLC**, Akron, OH (US)
- (**) Term: **14 Years**
- (21) Appl. No.: **29/207,147**
- (22) Filed: **Jun. 9, 2004**
- (51) **LOC (8) Cl.** **15-03**
- (52) **U.S. Cl.** **D15/11**
- (58) **Field of Search** D15/10, 11, 23, D15/25, 28, 32; 37/231, 219, 273, 276, 407, 266, 279, 280; 172/701.2, 2, 7, 817, 826, 821; 254/131.5, 54.5, 59; 701/50; 180/6.7; 111/187

5,860,230 A	1/1999	Daniels	
5,894,689 A	4/1999	Turk	
5,899,007 A	5/1999	Niemela et al.	
5,950,141 A *	9/1999	Yamamoto et al. 702/41
6,112,438 A	9/2000	Weagley	
6,240,660 B1	6/2001	Dugas	
6,425,196 B1	7/2002	Weagley et al.	
6,516,544 B1 *	2/2003	Matisz et al. 37/231
6,560,904 B2	5/2003	Guggino	
D477,610 S *	7/2003	Matsumoto et al. D15/11
D478,097 S	8/2003	Vennard et al.	
6,612,050 B2	9/2003	Takeuchi	

* cited by examiner

Primary Examiner—Stella Reid
Assistant Examiner—Mark A. Goodwin
 (74) *Attorney, Agent, or Firm*—Fay, Sharpe, Fagan, Minnich & McKee, LLP

(57) **CLAIM**

The ornamental design for a sidewall for snow pusher, as shown and described.

(56) **References Cited**

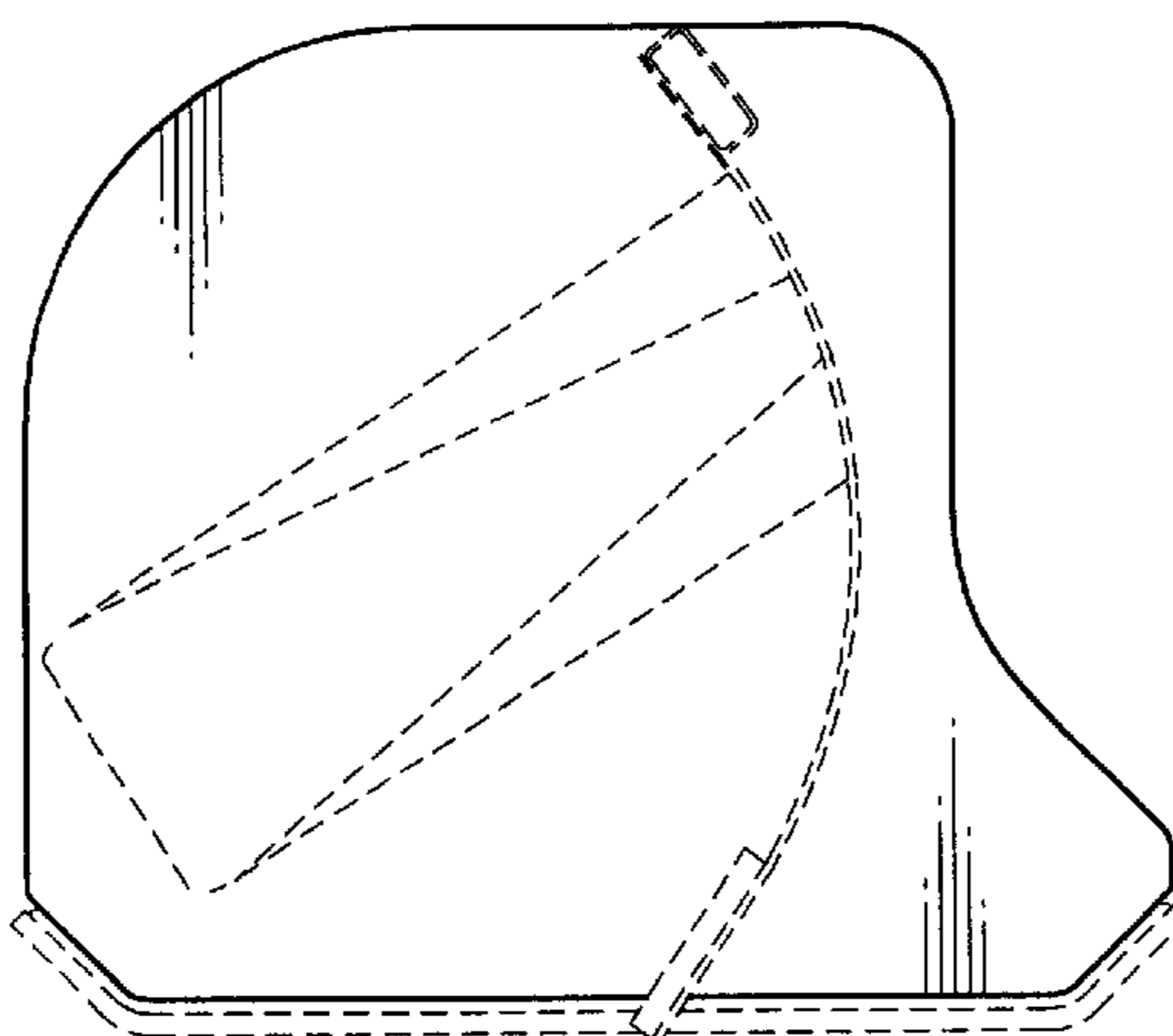
U.S. PATENT DOCUMENTS

637,712 A	11/1899	Damerell	
842,704 A	1/1907	Robins	
1,837,895 A *	12/1931	Chambers, Jr. 111/187
2,552,426 A	8/1951	Hedley	
3,289,331 A *	12/1966	Freeman 172/701.2
3,604,517 A	9/1971	Clifford	
4,215,496 A *	8/1980	Wehr 37/407
4,275,514 A	6/1981	Maura	
4,446,639 A	5/1984	Bohn	
4,707,936 A	11/1987	Steinhoff	
4,723,609 A	2/1988	Curtis	
4,741,116 A	5/1988	Engle	
4,803,790 A *	2/1989	Ciula 37/266
4,936,392 A	6/1990	Kitchin	
4,962,600 A	10/1990	Zellaha et al.	
5,046,271 A	9/1991	Daniels	
5,129,169 A	7/1992	Aubichon	
5,265,355 A	11/1993	Daniels	
5,285,588 A	2/1994	Niemela et al.	
5,392,538 A	2/1995	Geerligs et al.	
5,408,765 A *	4/1995	Lozensky 37/231
5,477,600 A *	12/1995	Houle et al. 37/279
5,697,731 A	12/1997	Bonds	
5,724,755 A	3/1998	Weagley	
5,815,957 A *	10/1998	McKeown 37/280

DESCRIPTION

FIG. 1 is a front perspective view, taken from above, of a sidewall for snow pusher showing my design;
 FIG. 2 is a front perspective view, taken from below, of a sidewall for snow pusher showing my design;
 FIG. 3 is a left side elevational view of a sidewall for snow pusher showing my design;
 FIG. 4 is a rear elevational view of a sidewall for snow pusher showing my design;
 FIG. 5 is a top plan view of a sidewall for snow pusher showing my design;
 FIG. 6 is a right side elevational view of a sidewall for snow pusher showing my design;
 FIG. 7 is a front elevational view of a sidewall for snow pusher showing my design; and,
 FIG. 8 is a bottom plan view of the unclaimed environment, wherein the sidewall for snow pusher is not visible.
 Features shown in the drawings using broken lines are for illustrative purposes only and form no part of the claimed design.

1 Claim, 2 Drawing Sheets



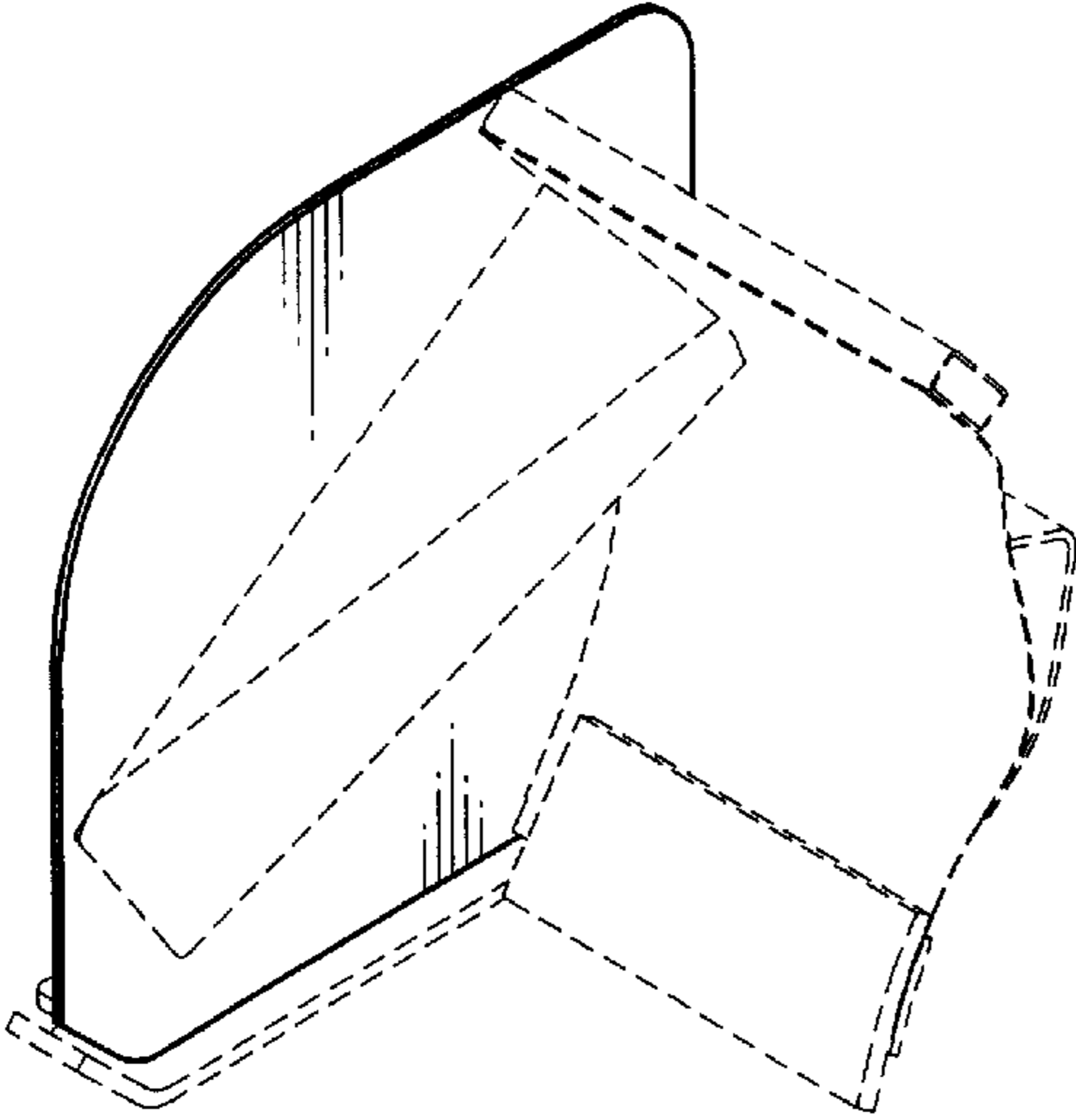


FIG. 1

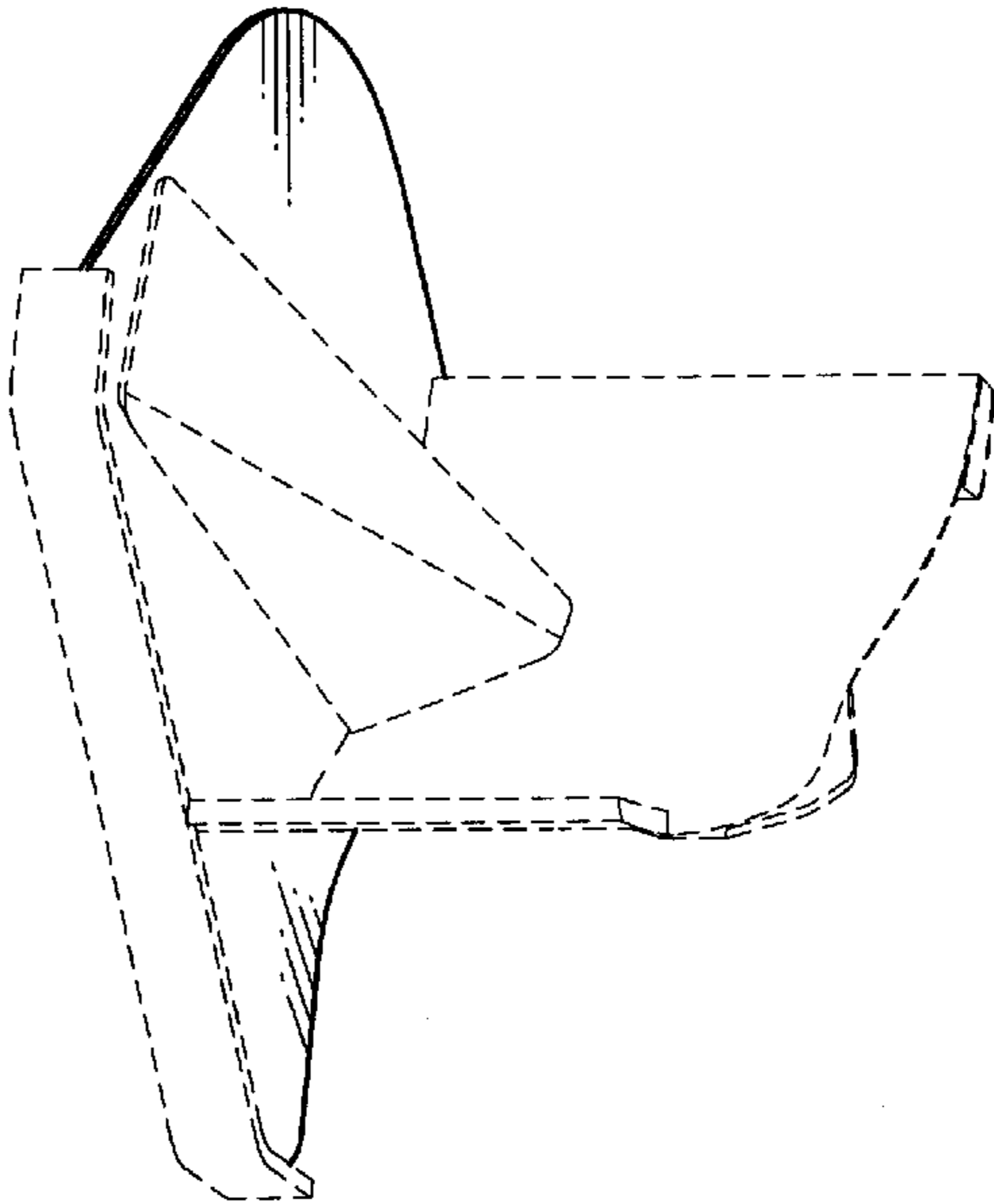


FIG. 2

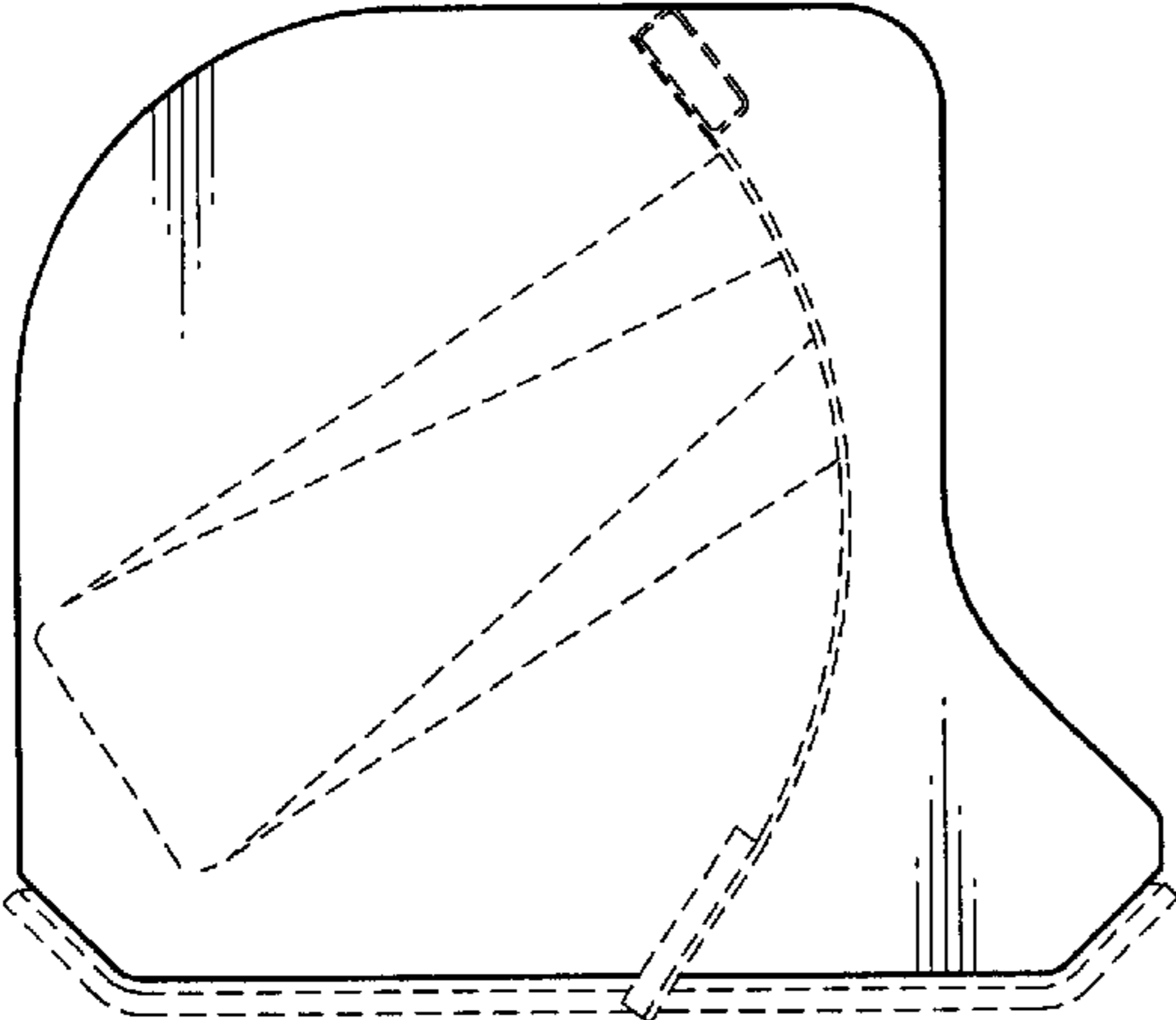


FIG. 3

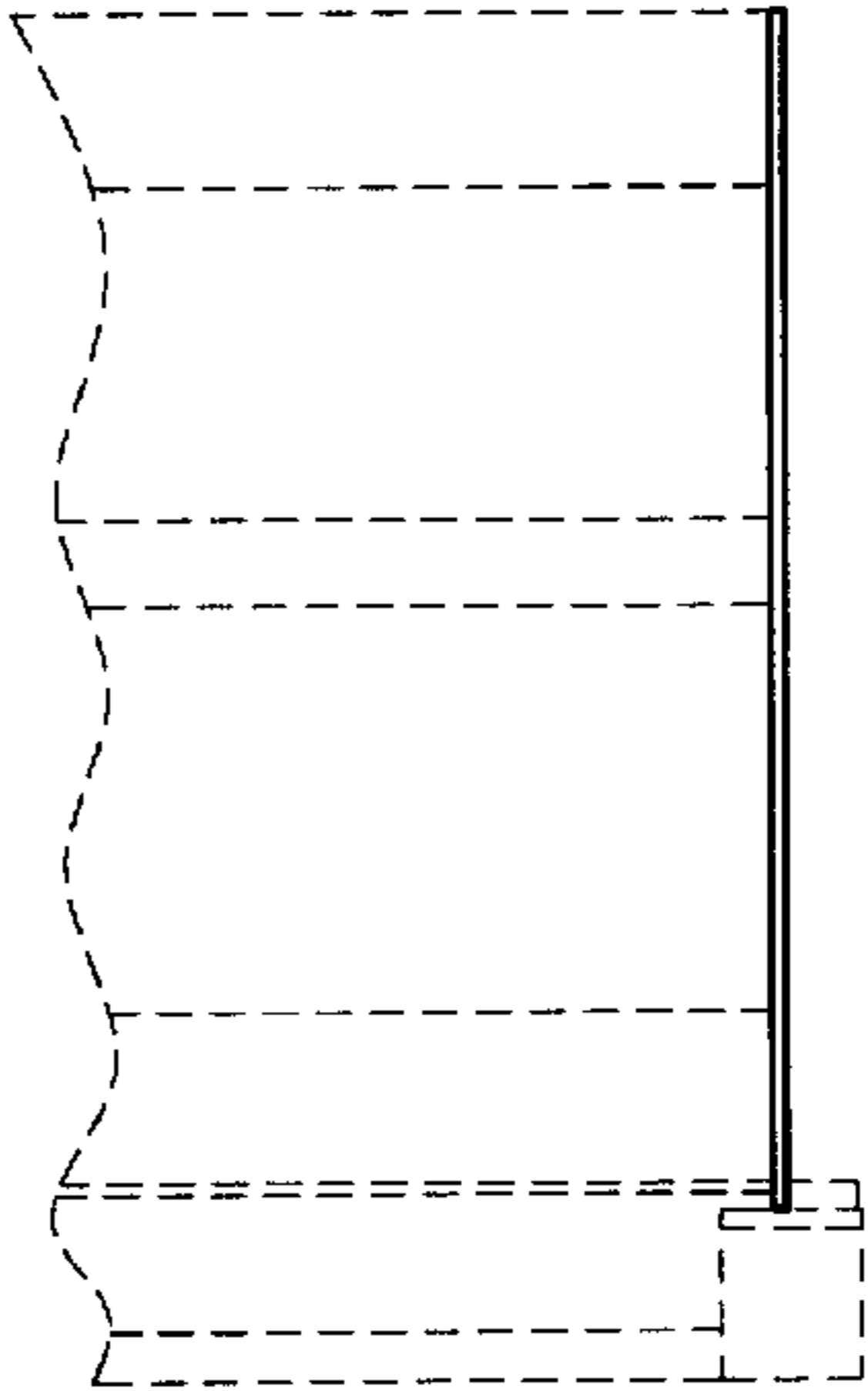


FIG. 4

FIG. 5

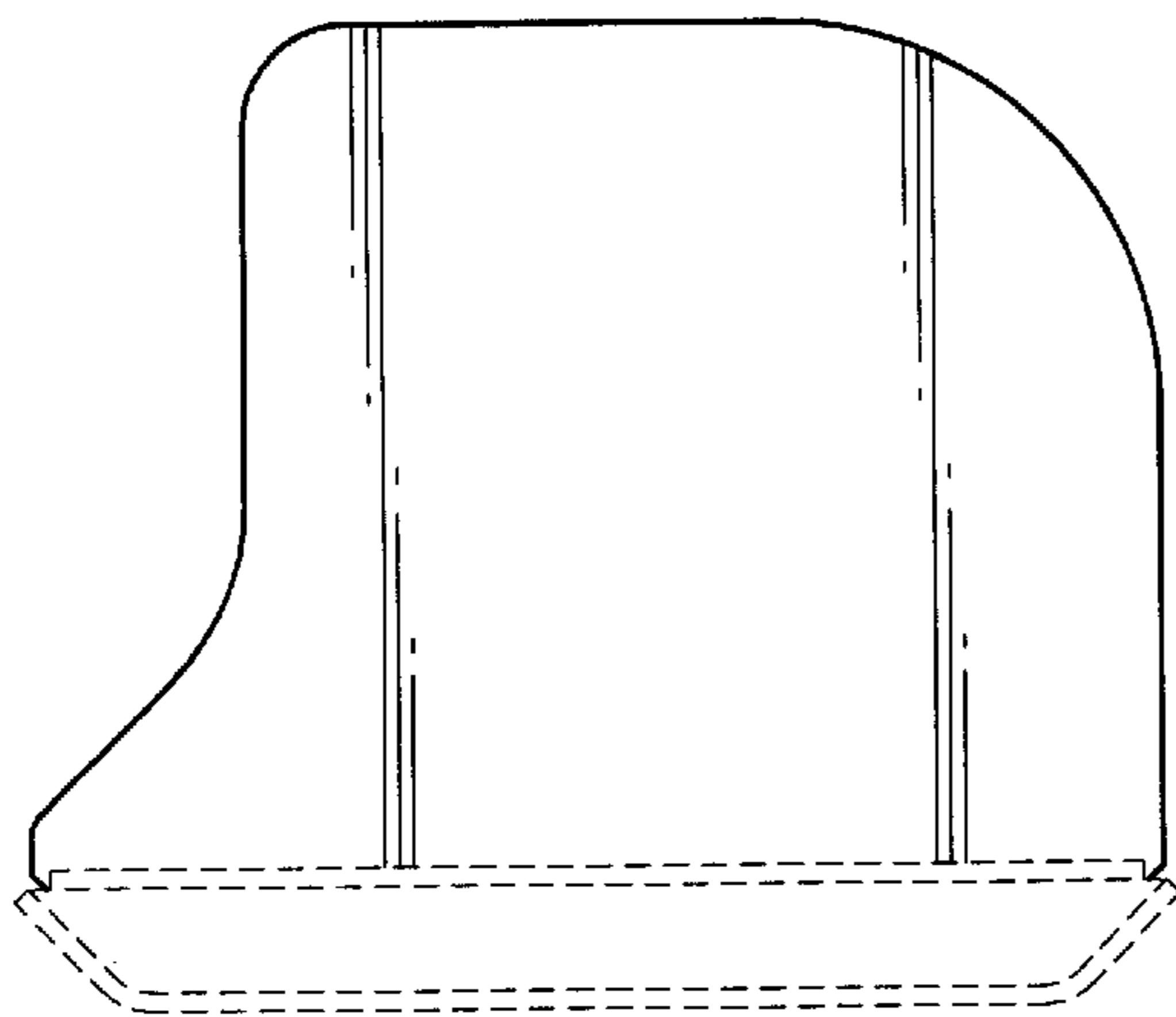
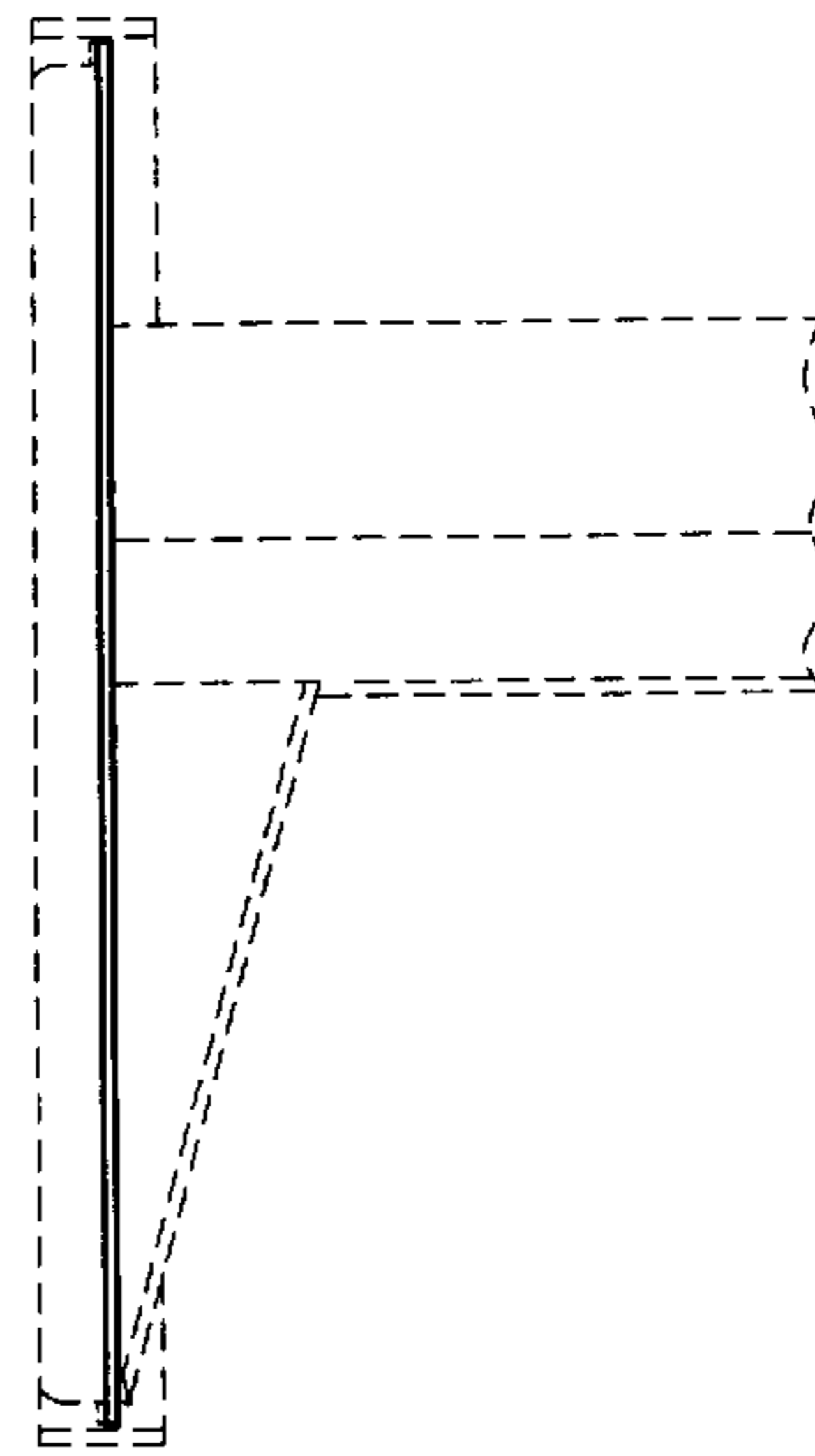


FIG. 6

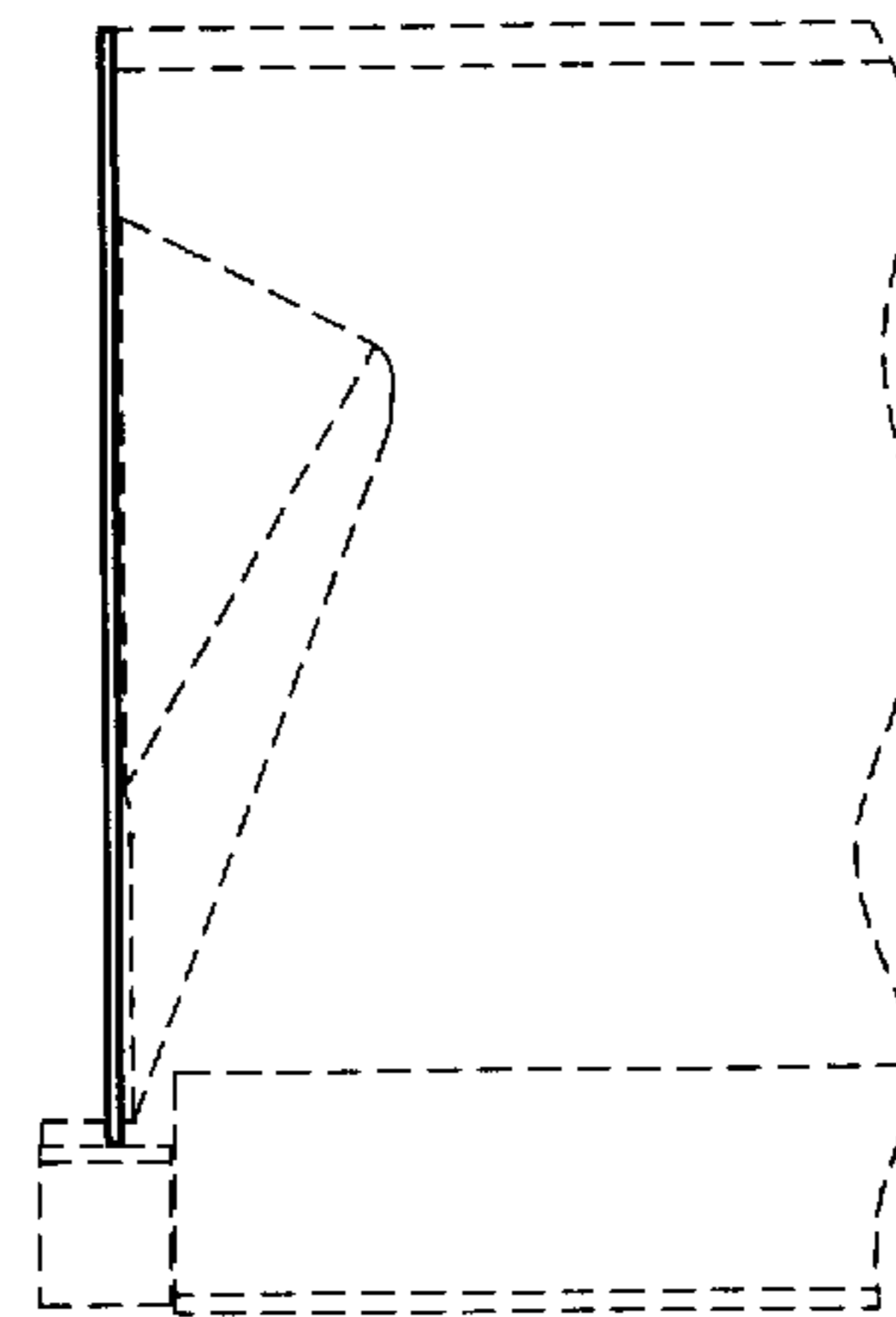


FIG. 7

FIG. 8

