



US00D512441S

(12) **United States Design Patent**
Iwata

(10) **Patent No.:** **US D512,441 S**
(45) **Date of Patent:** **** Dec. 6, 2005**

(54) **PROCESS PUMP**

(75) Inventor: **Tomoyuki Iwata**, Ibaraki (JP)

(73) Assignee: **SMC Corporation**, Tokyo (JP)

(**) Term: **14 Years**

(21) Appl. No.: **29/210,039**

(22) Filed: **Jul. 26, 2004**

(51) **LOC (8) Cl.** **15-02**

(52) **U.S. Cl.** **D15/7**

(58) **Field of Search** D15/7-9; 417/321,
417/410, 413.1, 415, 423.3, 486, 521, 534;
415/148

(56) **References Cited**

U.S. PATENT DOCUMENTS

D382,277 S	*	8/1997	Feitel et al.	D15/7
D443,282 S	*	6/2001	Tsai	D15/7
D498,766 S	*	11/2004	Iwata	D15/7
D499,116 S	*	11/2004	Iwata	D15/7

* cited by examiner

Primary Examiner—Ralf Seifert

(74) *Attorney, Agent, or Firm*—Baker Botts L.L.P.

(57) **CLAIM**

The design of the process pump, as shown and described.

DESCRIPTION

FIG. 1 illustrates a front view of an exemplary embodiment of a process pump according to my new design;

FIG. 2 illustrates a rear view of the process pump of FIG. 1;

FIG. 3 illustrates a plane view of the process pump of FIG. 1;

FIG. 4 illustrates a bottom view of the process pump of FIG. 1;

FIG. 5 illustrates a right-side view of the process pump of FIG. 1;

FIG. 6 illustrates a left-side view of the process pump of FIG. 1; and,

FIG. 7 illustrates a perspective view of the process pump in FIG. 1.

1 Claim, 4 Drawing Sheets

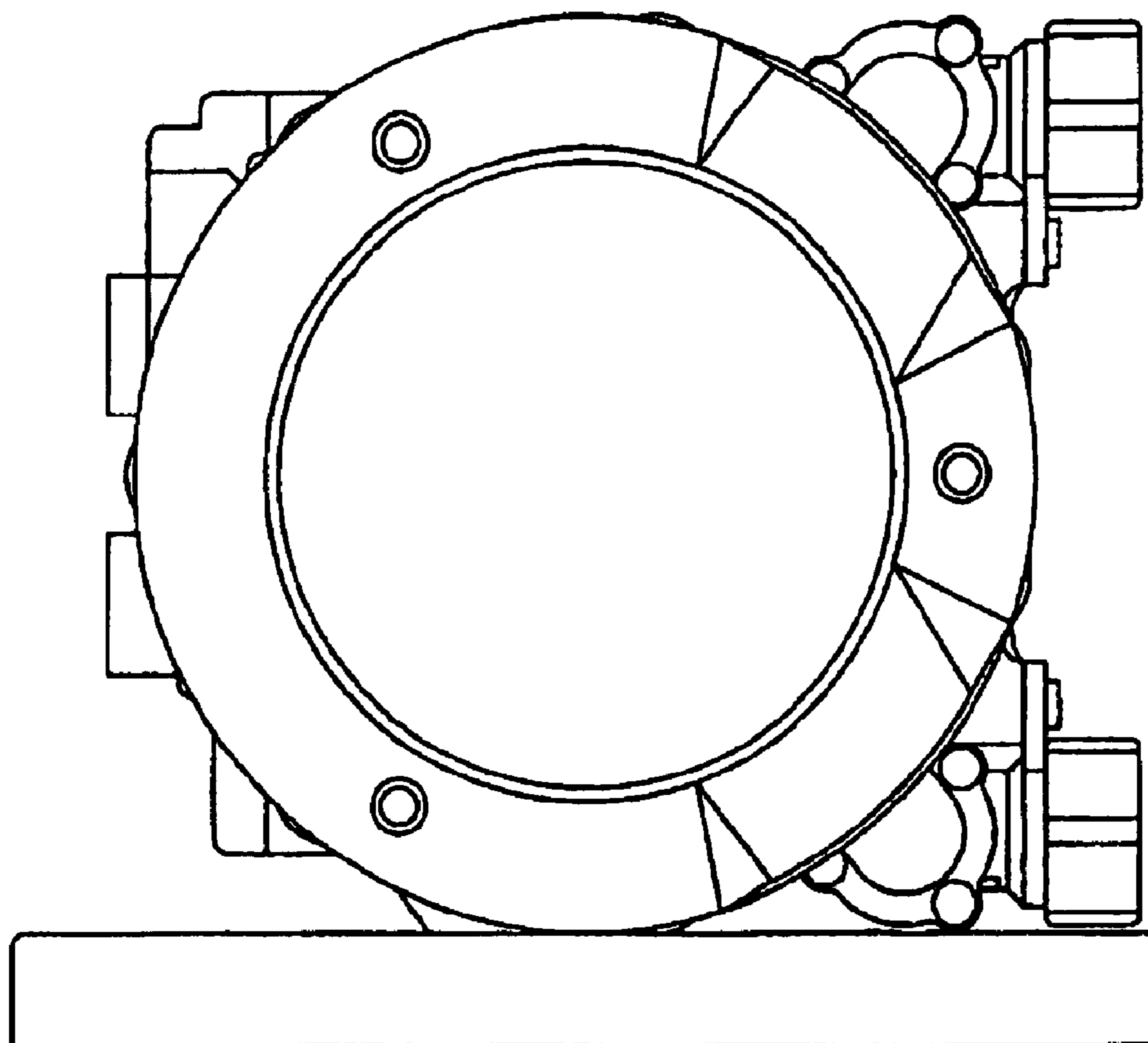


FIG.1

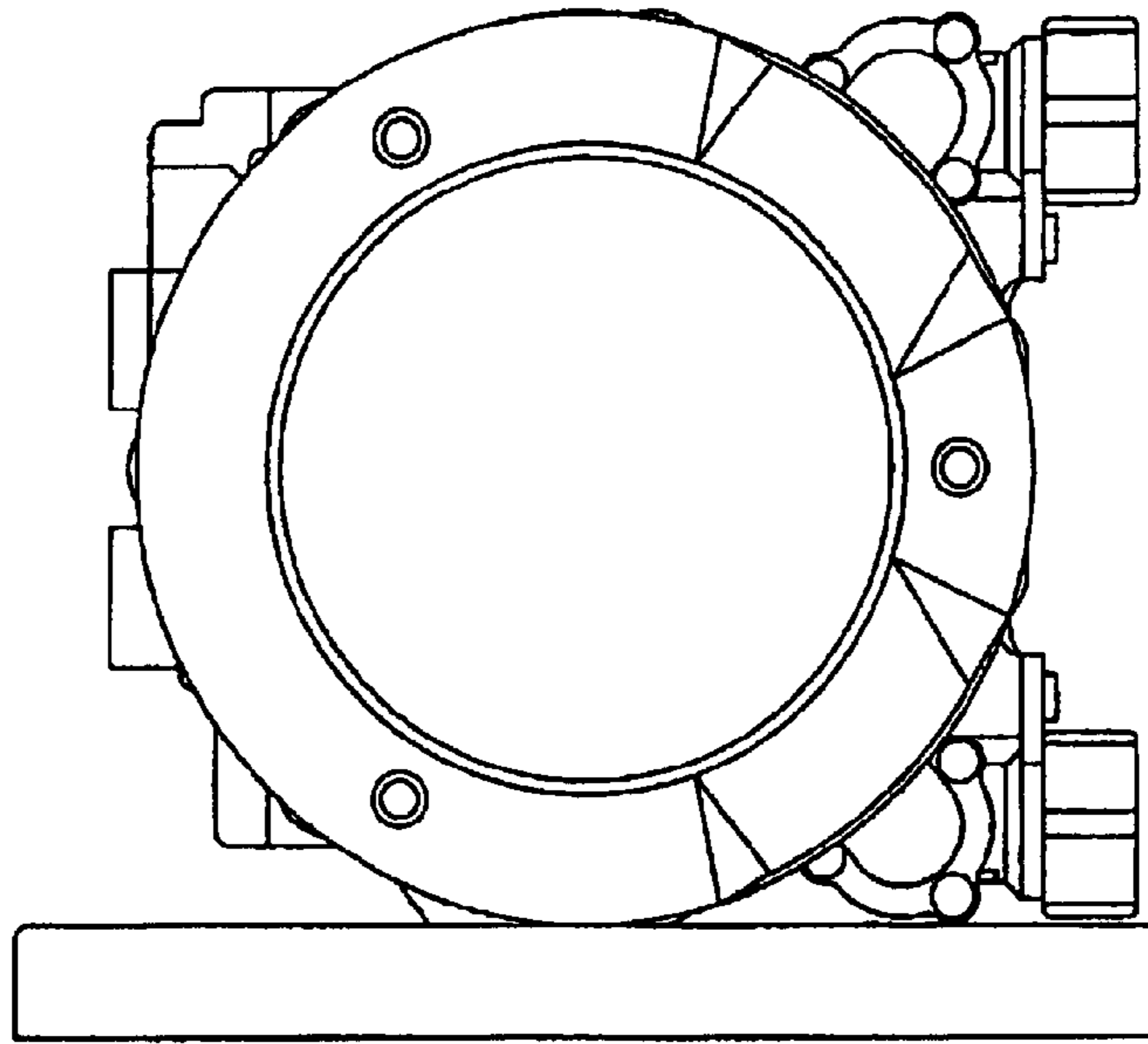


FIG.2

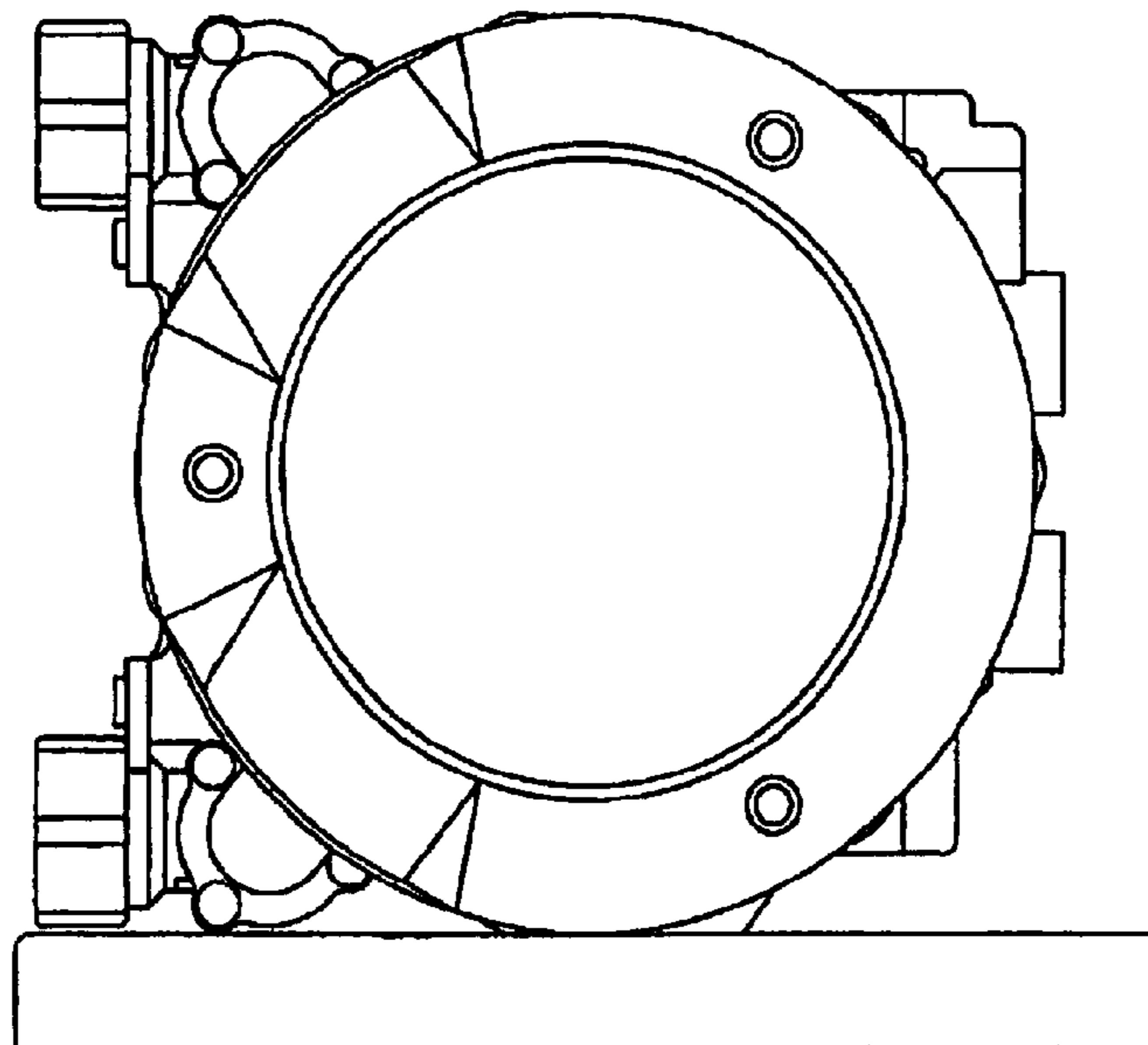


FIG.3

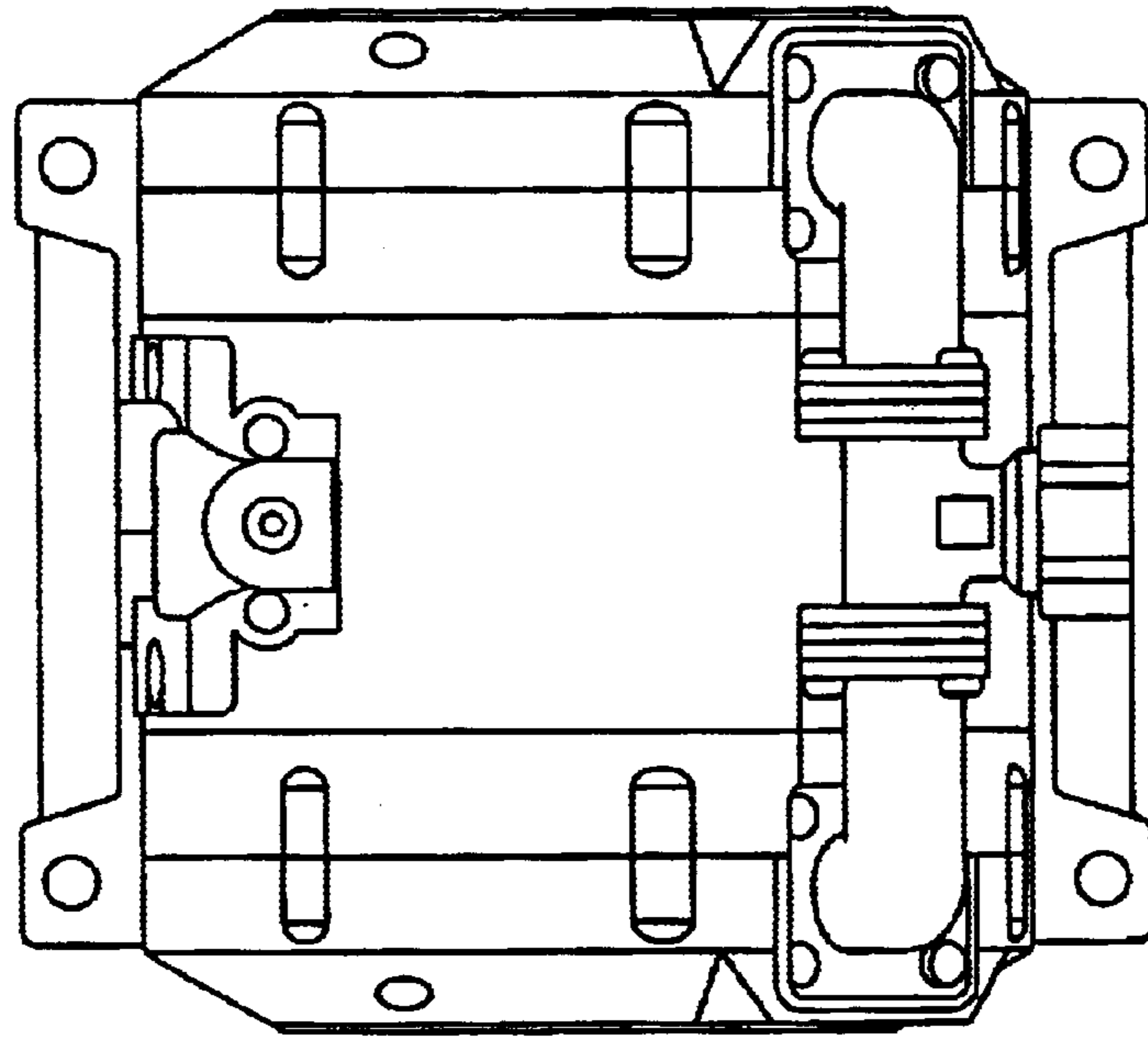


FIG.4

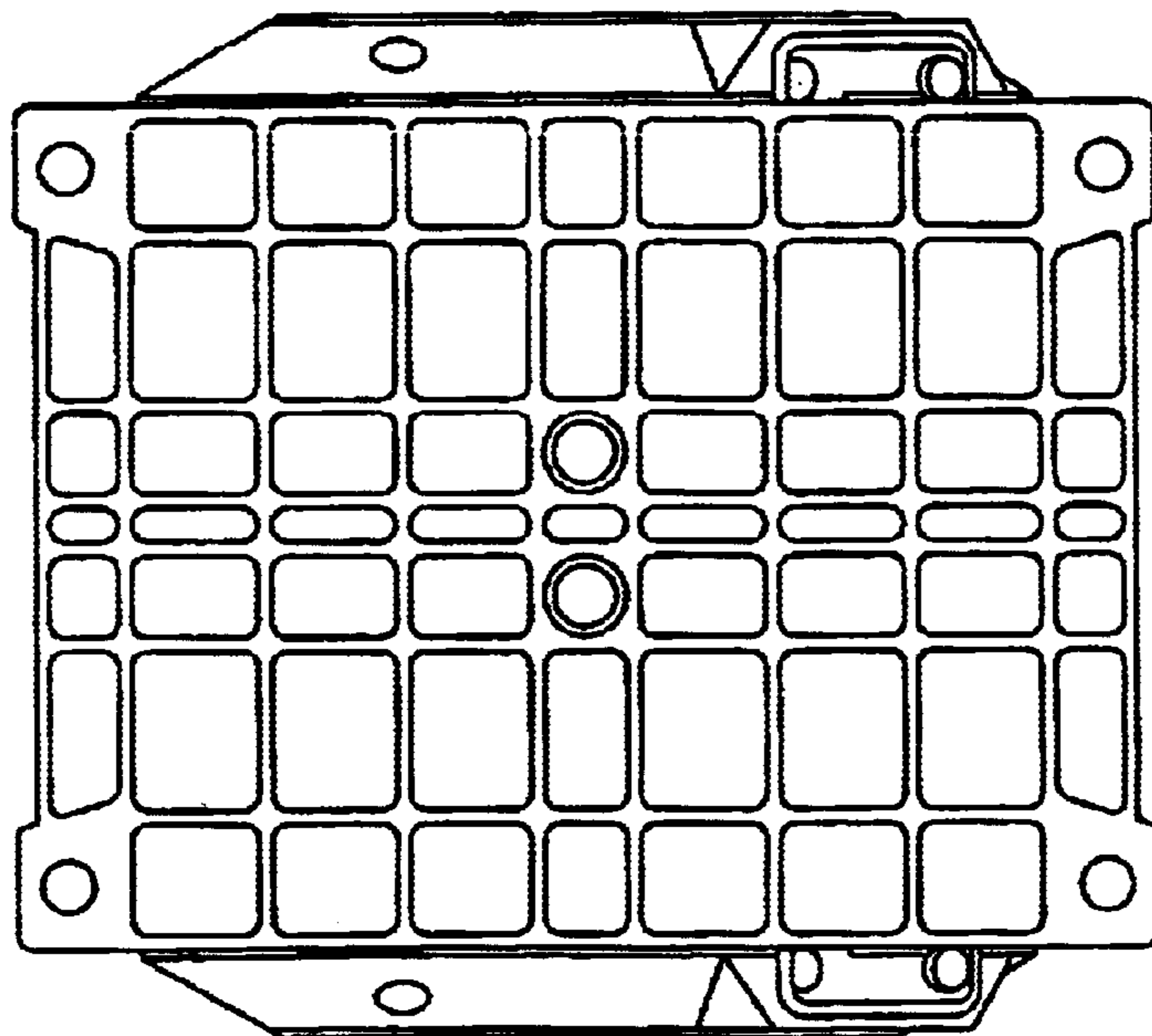


FIG.5

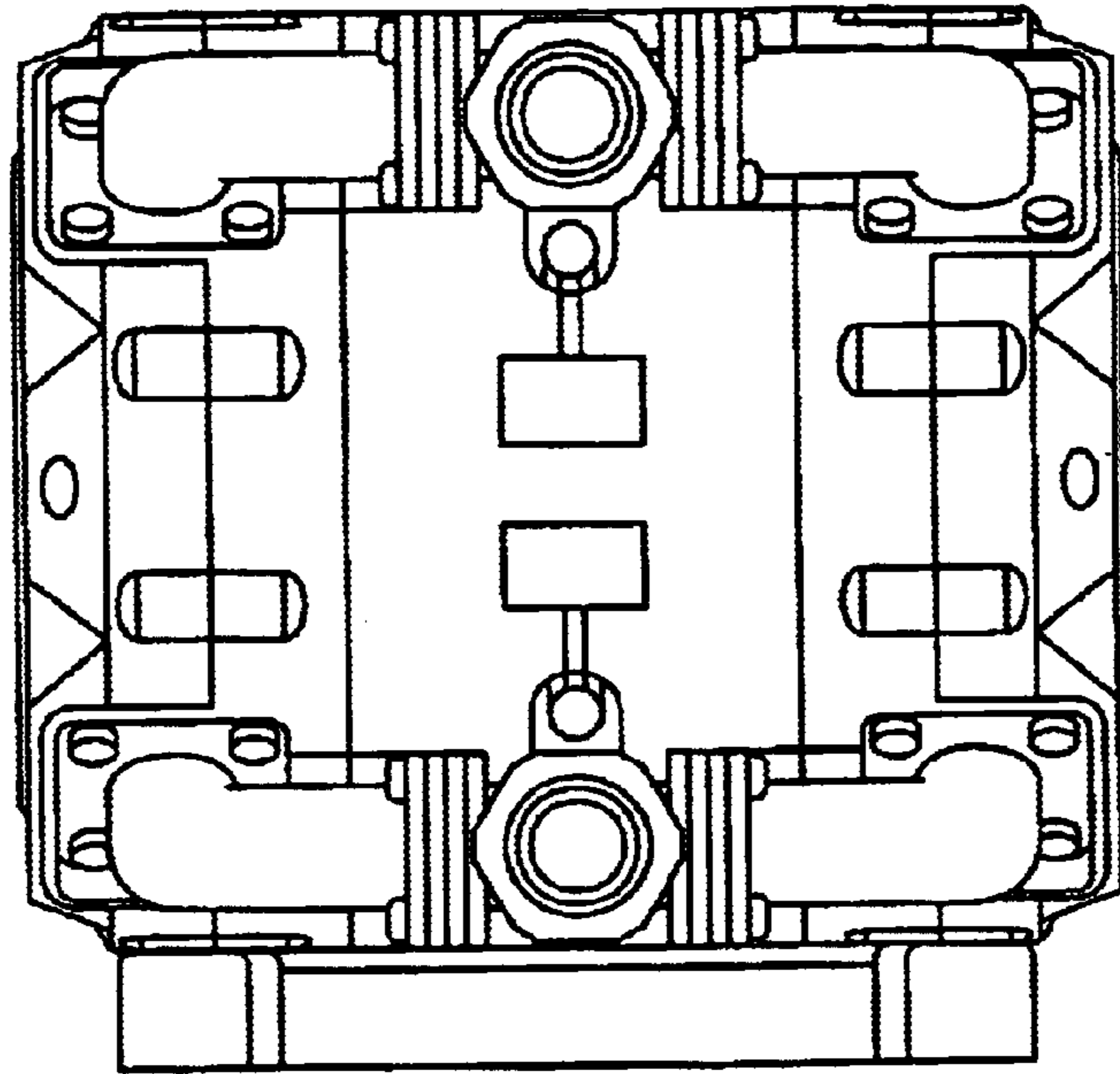


FIG.6

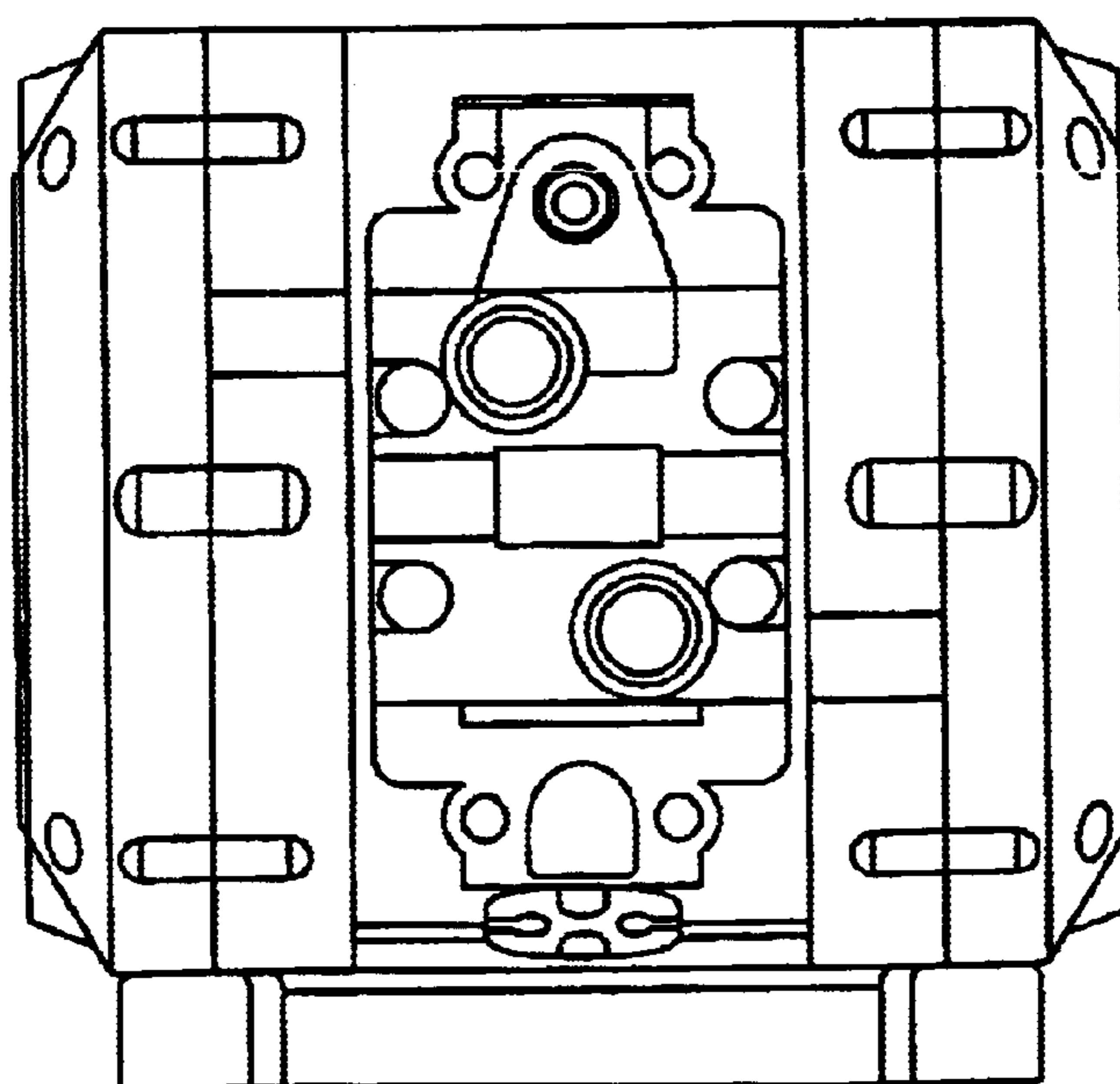


FIG. 7

