



US00D512438S

(12) **United States Design Patent**
Matsunami et al.

(10) **Patent No.:** **US D512,438 S**
(45) **Date of Patent:** **** Dec. 6, 2005**

(54) **ENGINE COVER OF AUTOMOBILES**

D396,478 S * 7/1998 Hubbach D15/5
D490,818 S * 6/2004 Hieke D15/5

(75) Inventors: **Hiroshi Matsunami**, Wako (JP); **Hiroki Koizumi**, Wako (JP); **Naoyuki Nishio**, Wako (JP)

* cited by examiner

Primary Examiner—Lisa Lichtenstein
(74) *Attorney, Agent, or Firm*—Arent Fox PLLC

(73) Assignee: **Honda Giken Kogyo Kabushiki Kaisha**, Tokyo (JP)

(57) **CLAIM**

(**) Term: **14 Years**

The ornamental design for an engine cover of automobiles, as shown and described.

(21) Appl. No.: **29/178,245**

DESCRIPTION

(22) Filed: **Mar. 25, 2003**

(30) **Foreign Application Priority Data**

Sep. 26, 2002 (JP) 2002-026322

FIG. 1 is a front view of an engine cover showing our new design.

(51) **LOC (8) Cl.** **15-01**

FIG. 2 is a rear view thereof.

(52) **U.S. Cl.** **D15/5**

FIG. 3 is a plan view thereof.

(58) **Field of Search** D15/1-5, 17, 31;
D12/163-166; D13/112, 184, 199; 56/320.1,
320.2; 180/89.1, 89.12

FIG. 4 is a bottom view thereof.

FIG. 5 is a right side view thereof.

FIG. 6 is a left side view thereof.

FIG. 7 is a front perspective view thereof seen from the left side; and,

FIG. 8 is a front perspective view thereof seen from the right side.

(56) **References Cited**

U.S. PATENT DOCUMENTS

D352,723 S * 11/1994 DeBaal et al. D15/31

1 Claim, 4 Drawing Sheets

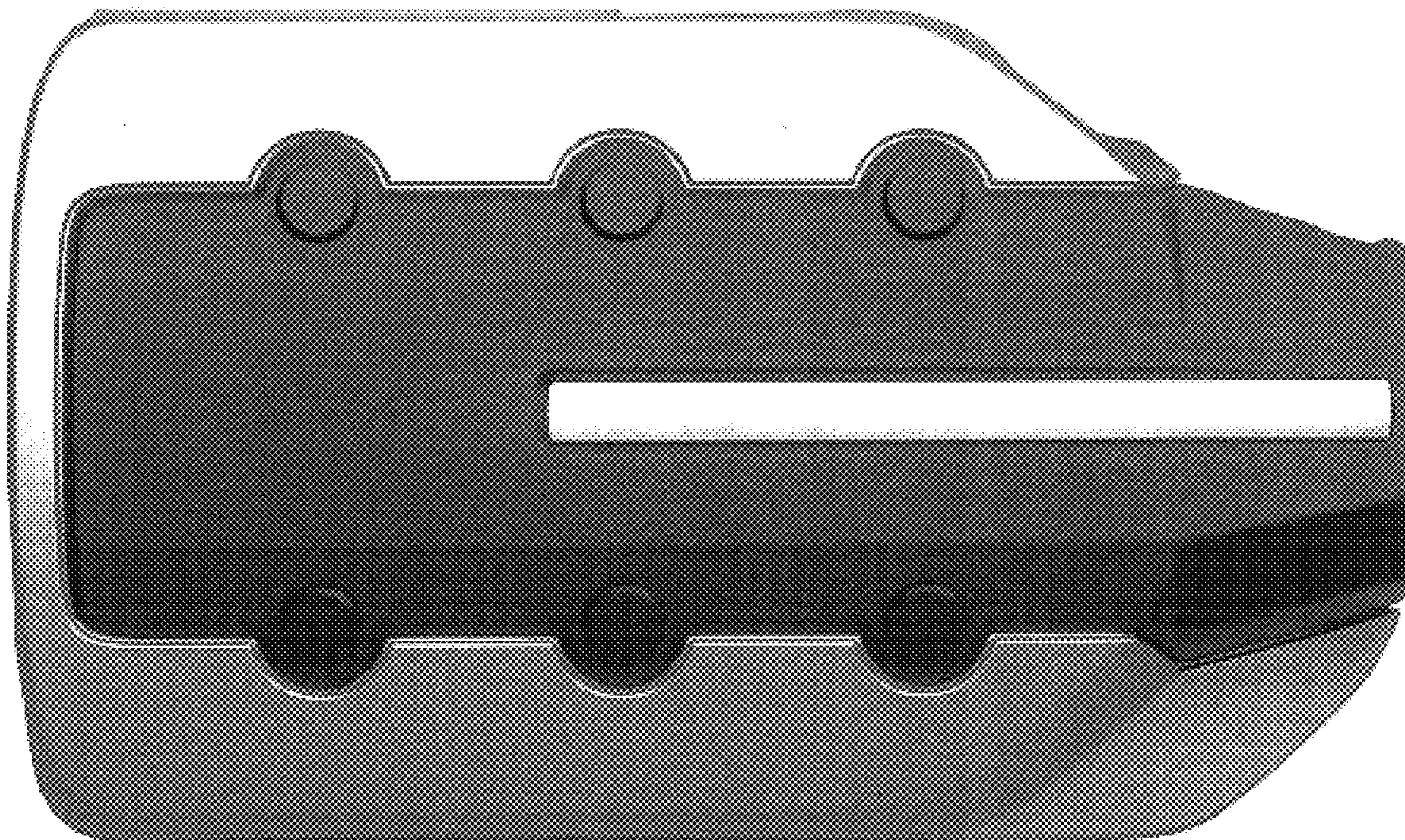


FIG.1

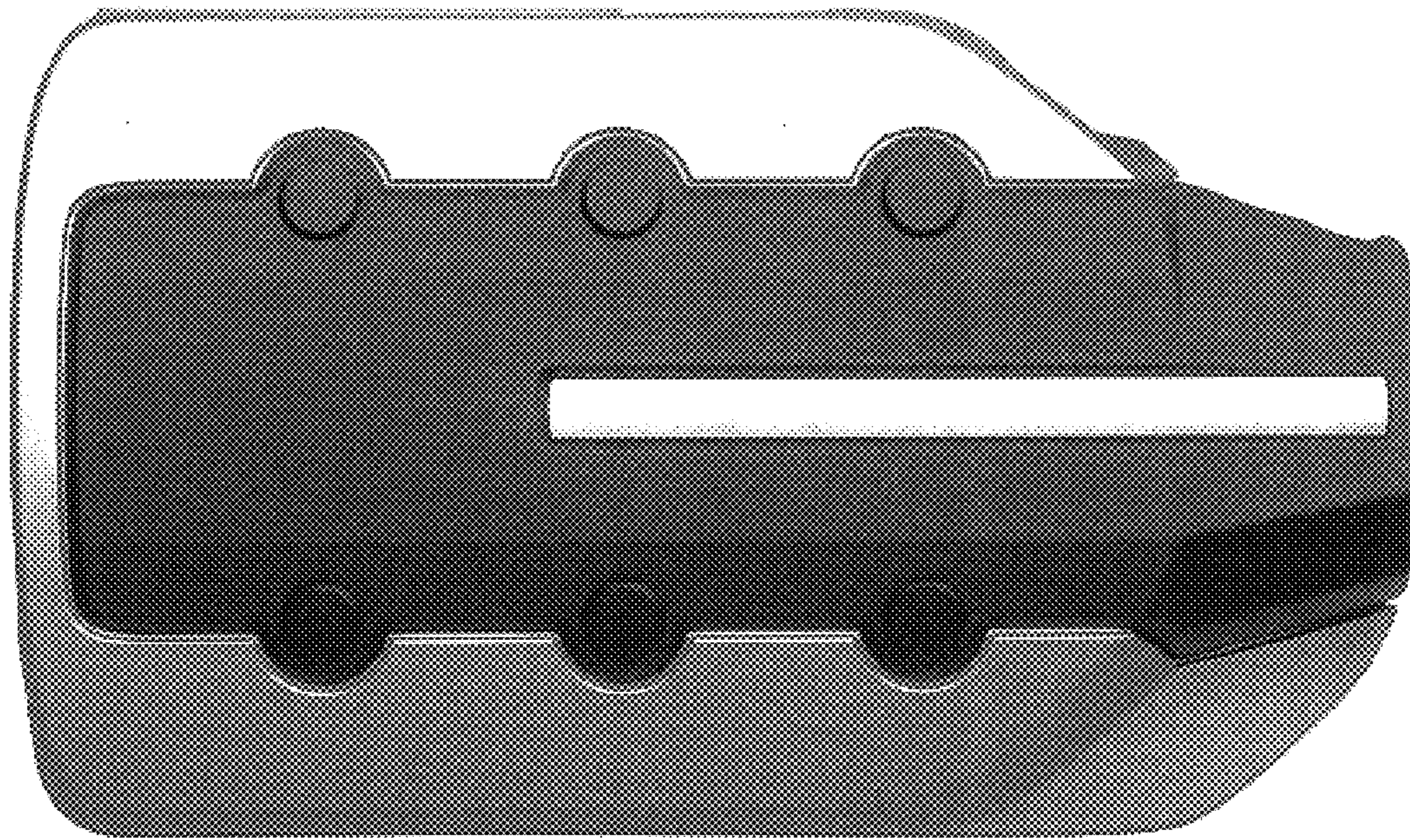


FIG.2

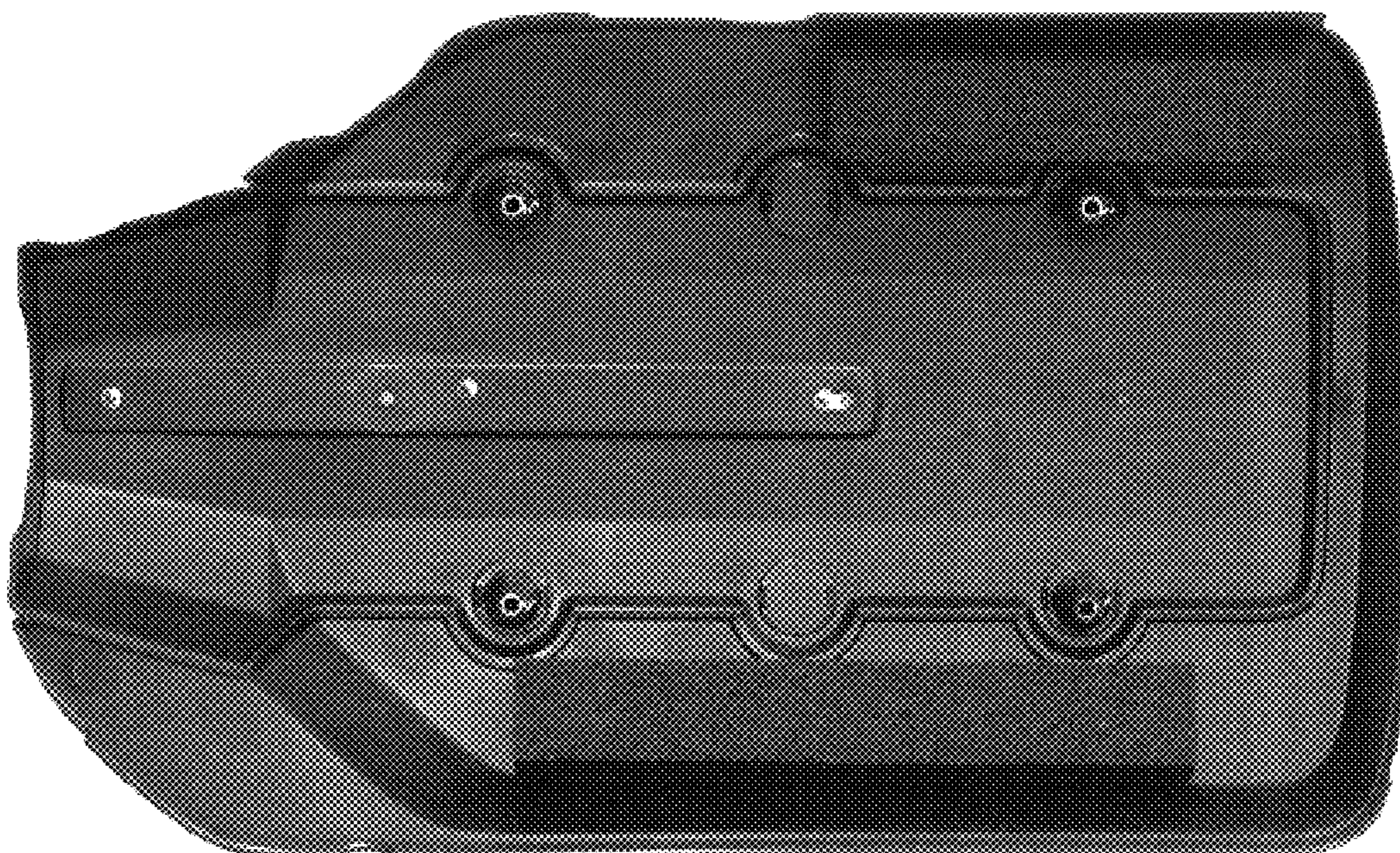


FIG.3

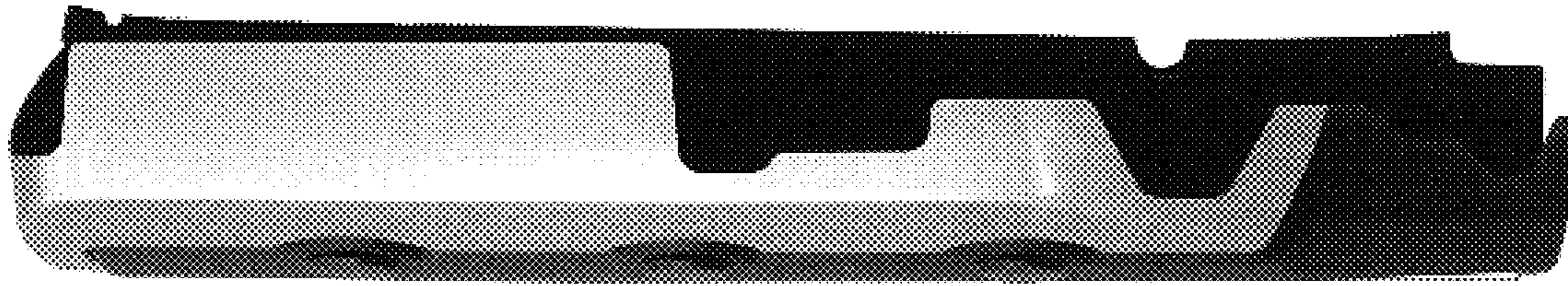


FIG.4

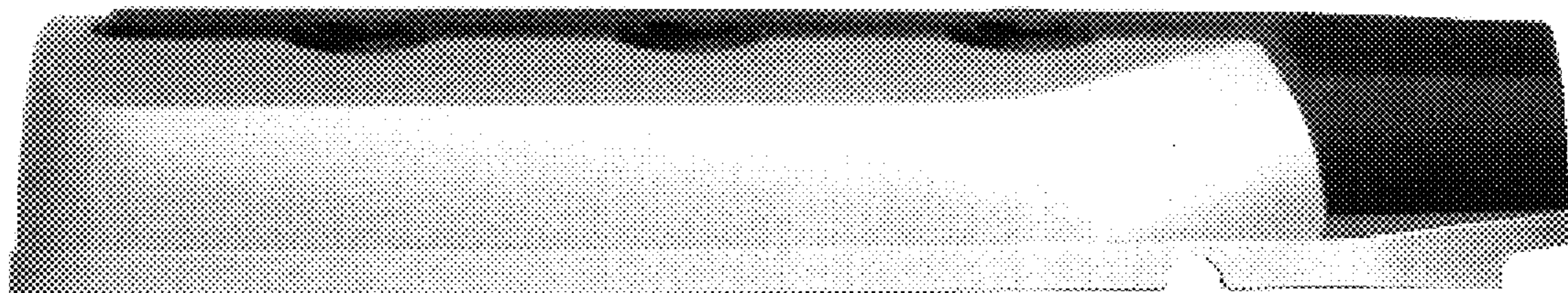


FIG.5

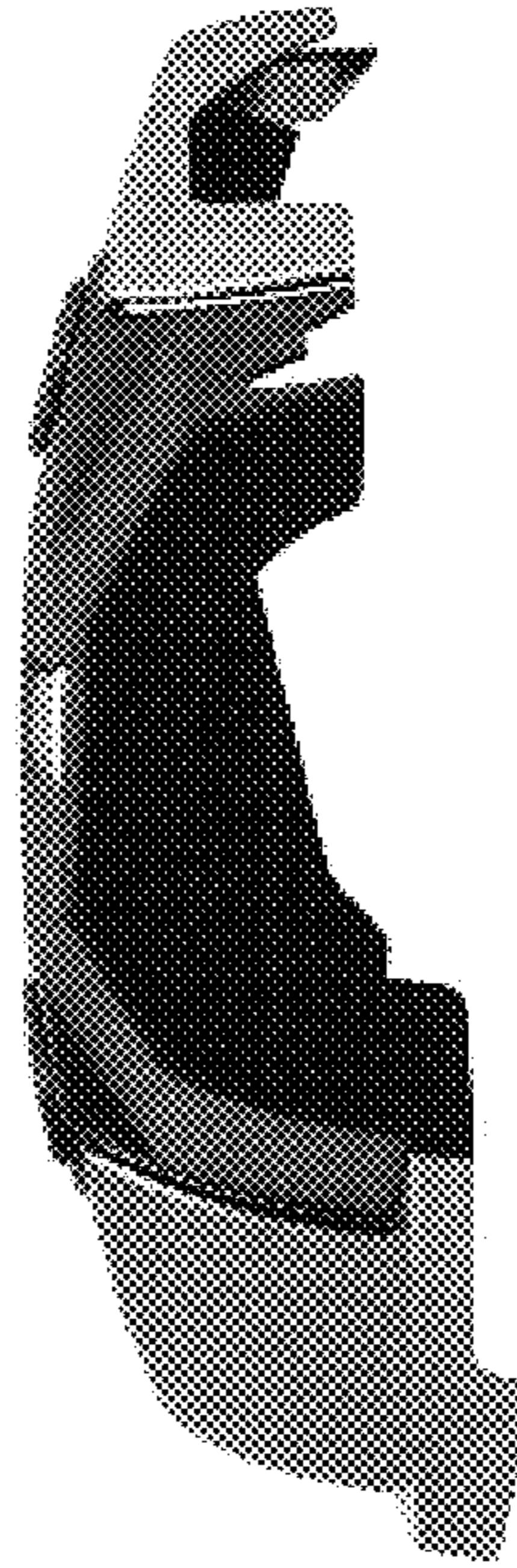


FIG.6

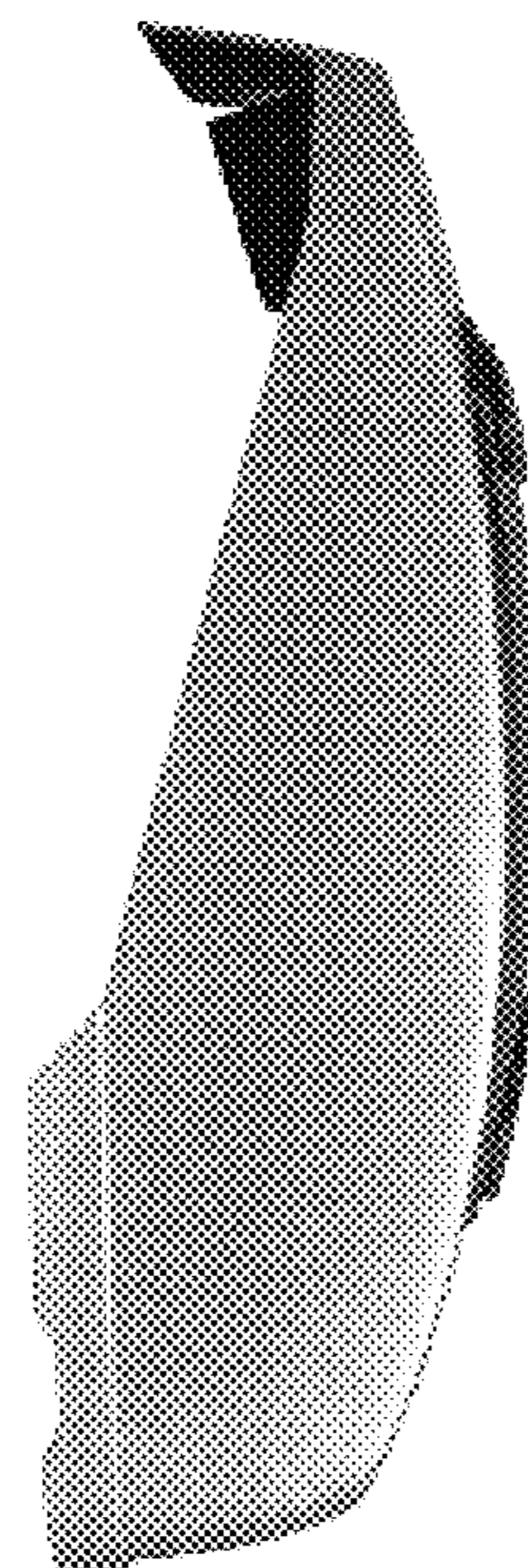


FIG.7

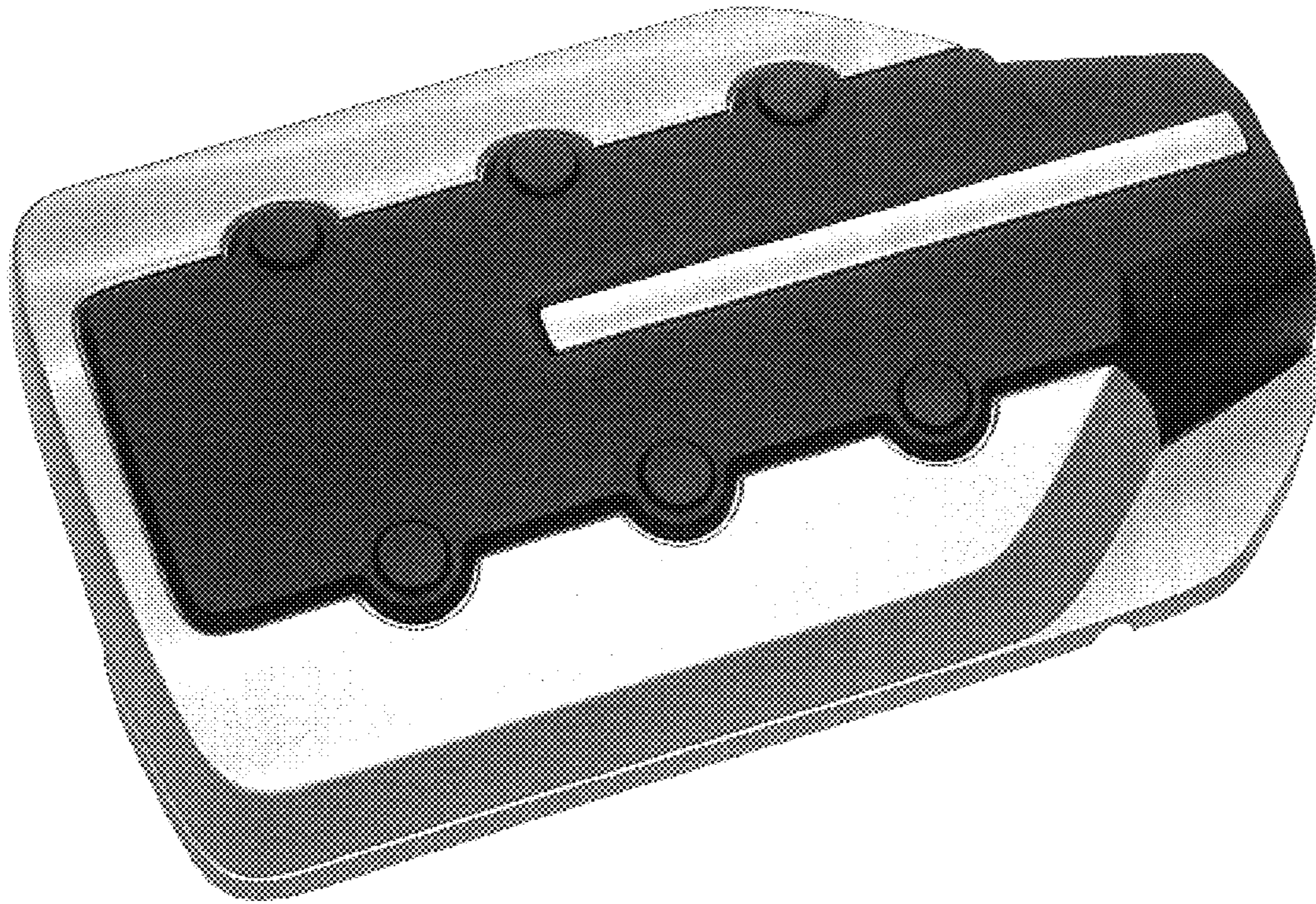


FIG.8

