

US00D512434S

(12) **United States Design Patent** (10) **Patent No.:** **US D512,434 S**
Hioki (45) **Date of Patent:** **** Dec. 6, 2005**

(54) **STORAGE MEDIUM**

(75) Inventor: **Tsutomu Hioki**, Tokyo (JP)
 (73) Assignee: **Sony Corporation**, Tokyo (JP)
 (**) Term: **14 Years**

(21) Appl. No.: **29/208,862**

(22) Filed: **Jul. 8, 2004**

(51) **LOC (8) Cl.** **14-99**

(52) **U.S. Cl.** **D14/474; D14/435; D14/167**

(58) **Field of Search** D14/156, 167,
 D14/432, 435, 341, 356, 474; 455/45, 344,
 346-51, 2.01; 369/75.11, 76; 84/602; 360/55

(56) **References Cited**

U.S. PATENT DOCUMENTS

D396,860 S	*	8/1998	Yasutomi	D14/168
D433,400 S	*	11/2000	Boucard	D14/160
D446,511 S	*	8/2001	Kanno et al.	D14/167
D475,359 S	*	6/2003	Hirose	D14/167
D487,750 S	*	3/2004	Dietel et al.	D14/474
D488,464 S	*	4/2004	Lin et al.	D14/242
D489,053 S		4/2004	Nakamura		
D498,759 S	*	11/2004	Lewis et al.	D14/436
D500,302 S	*	12/2004	Deguchi	D14/167
D500,485 S	*	1/2005	Deguchi	D14/167
2004/0074264 A1	*	4/2004	Kung et al.	70/58

OTHER PUBLICATIONS

Web page "USM16A" www.yodobashi.com, 1 sheet, Yodobashi Camera (May 2004).

Web page "RU-X256M/U2" www.yodobashi.com, 1 sheet, Yodobaashi Camera (May 2004).

Web page "EDC-256M" www.yodobashi.com, 1 sheet, Yodoabashi Camera (May 2004).

* cited by examiner

Primary Examiner—M. H. Tung

(74) *Attorney, Agent, or Firm*—Rader, Fishman & Grauer PLLC

(57) **CLAIM**

The ornamental design for a storage medium, as shown and described.

DESCRIPTION

FIG. 1 is a perspective view of a storage medium showing my new design;

FIG. 2 is a front elevational view thereof;

FIG. 3 is a rear elevational view thereof;

FIG. 4 is a left side elevational view thereof;

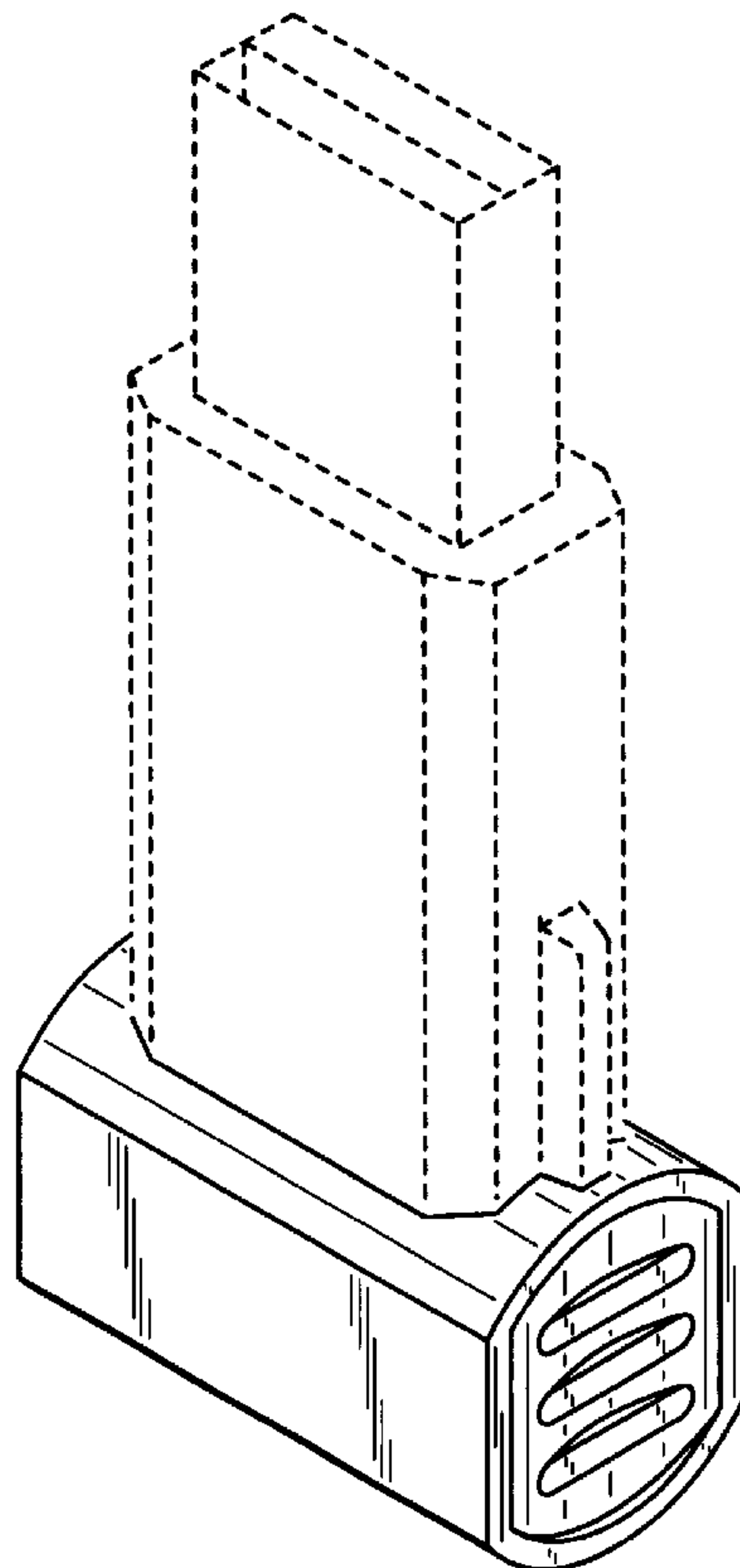
FIG. 5 is a right side elevational view thereof;

FIG. 6 is a top plan view thereof; and,

FIG. 7 is a bottom plan view thereof.

The broken line drawings in FIGS. 1-6 are for illustrative purposes only and form no part of the claimed design.

1 Claim, 4 Drawing Sheets



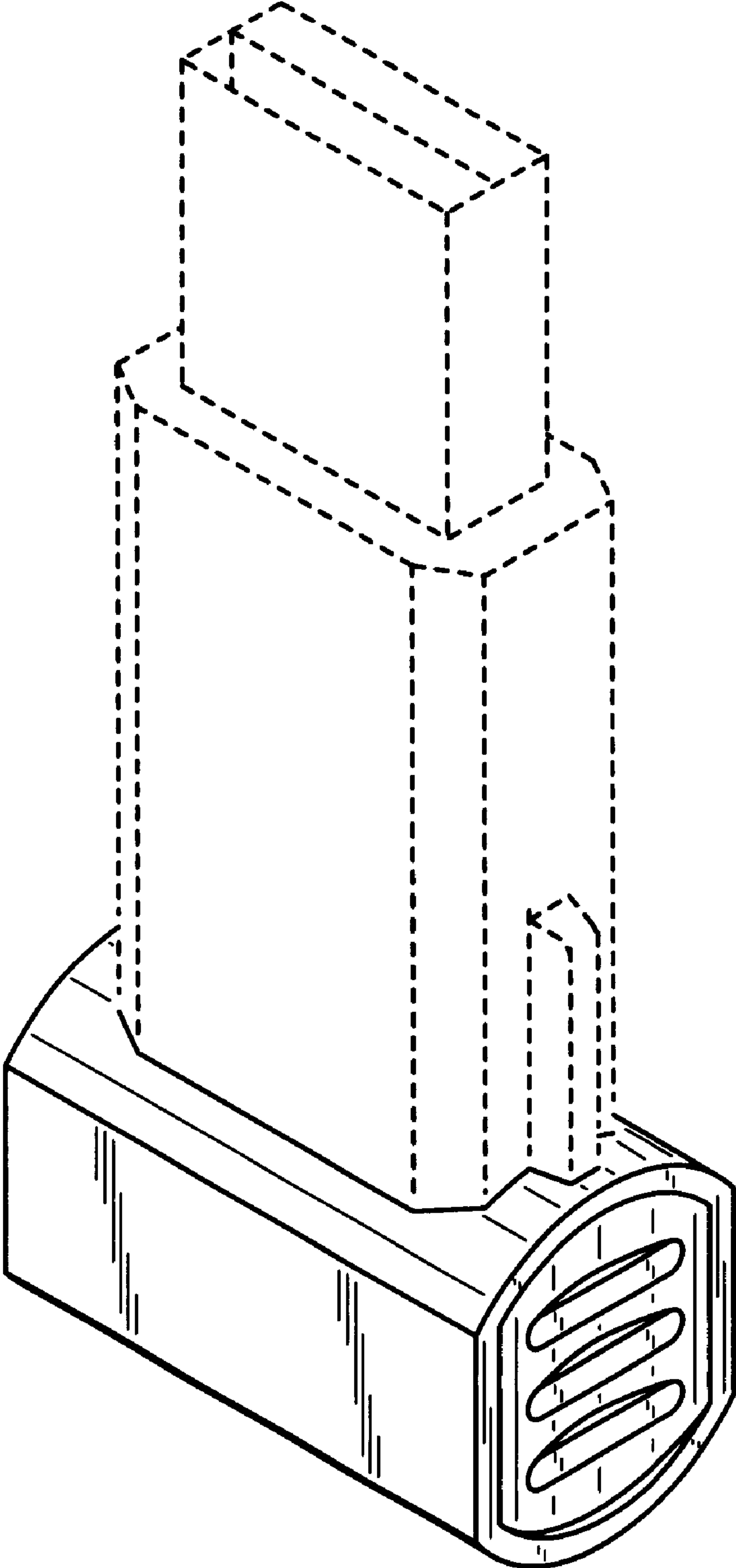


Fig. 1

Fig. 2

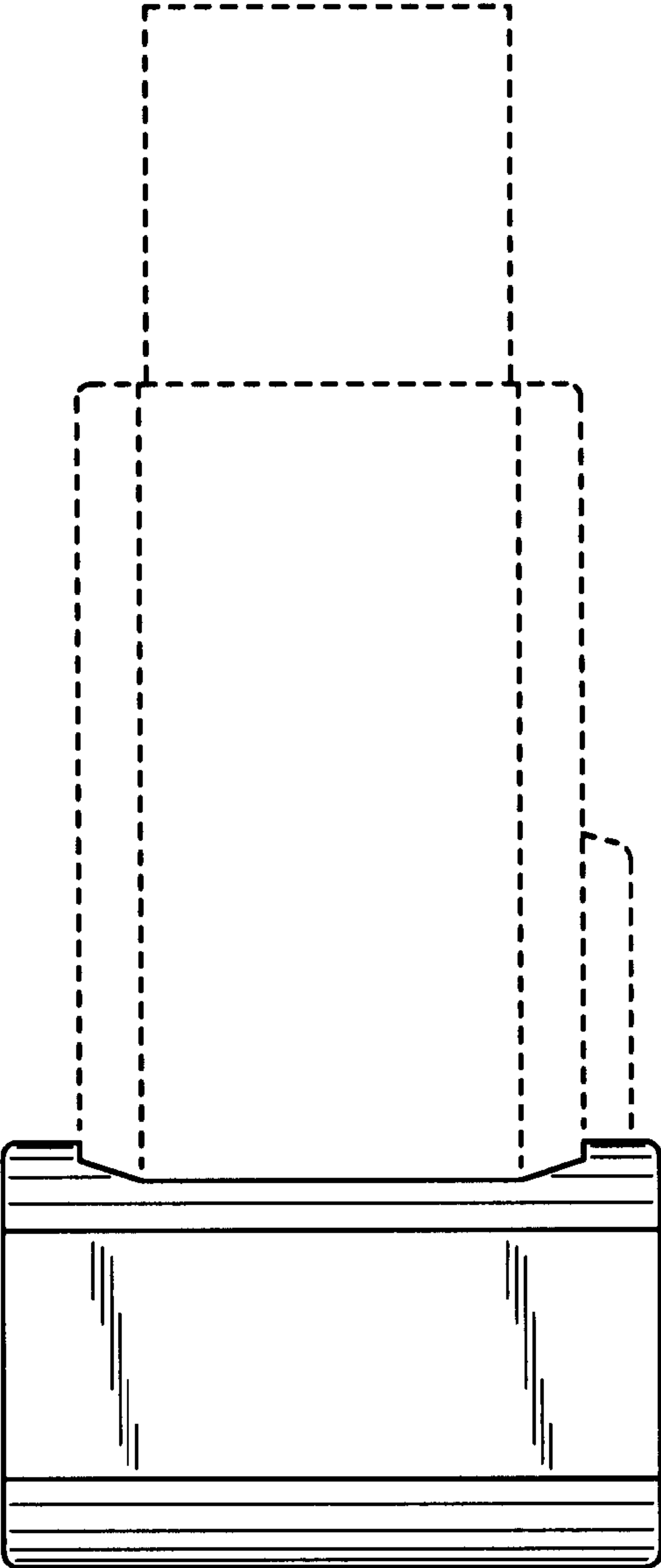


Fig. 3

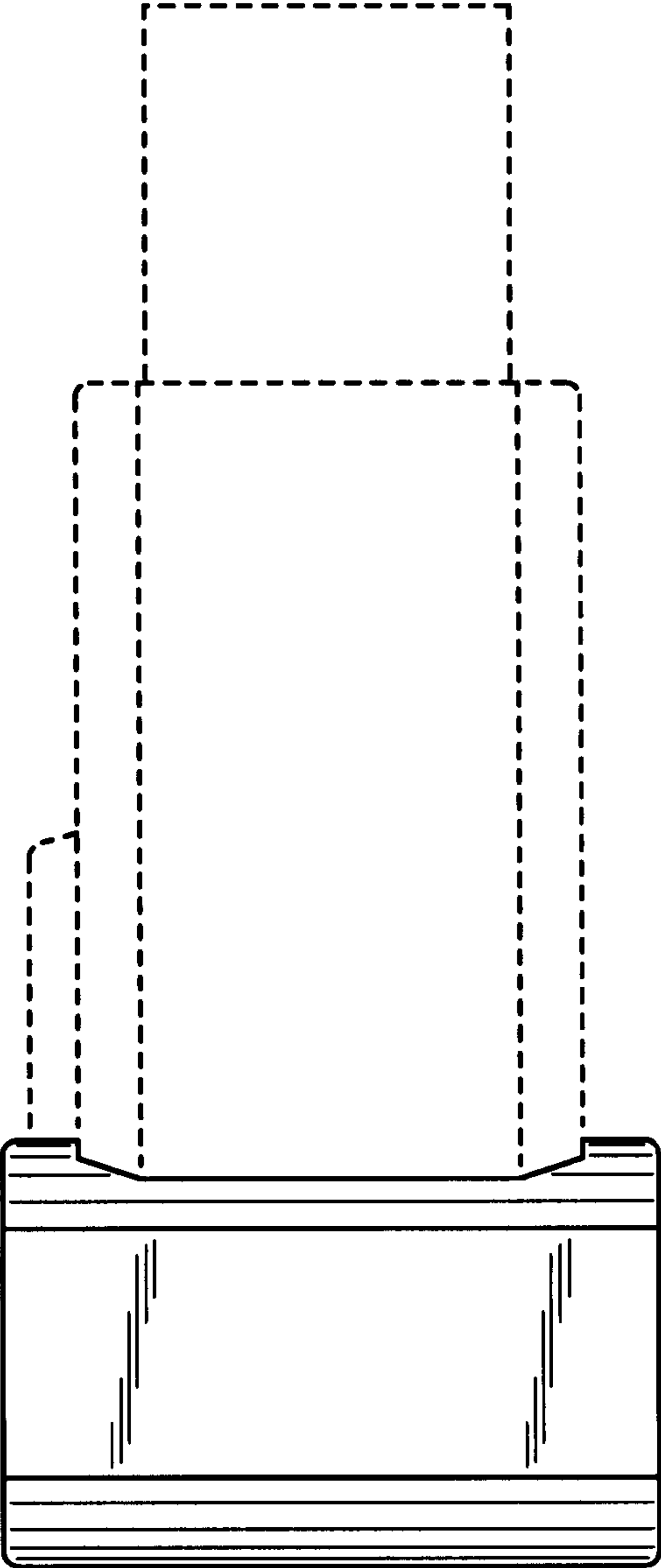


Fig. 4

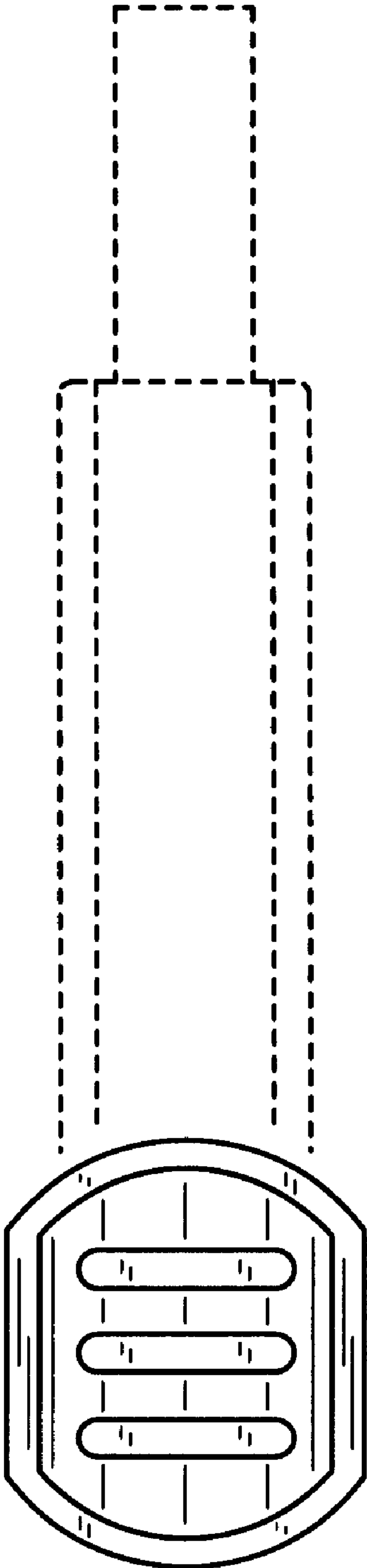


Fig. 5

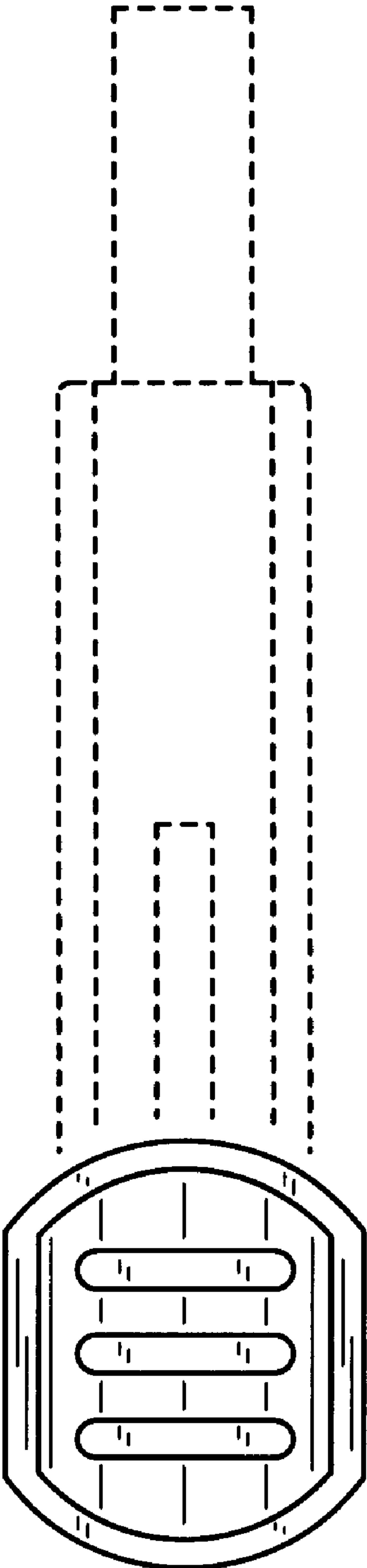


Fig. 6

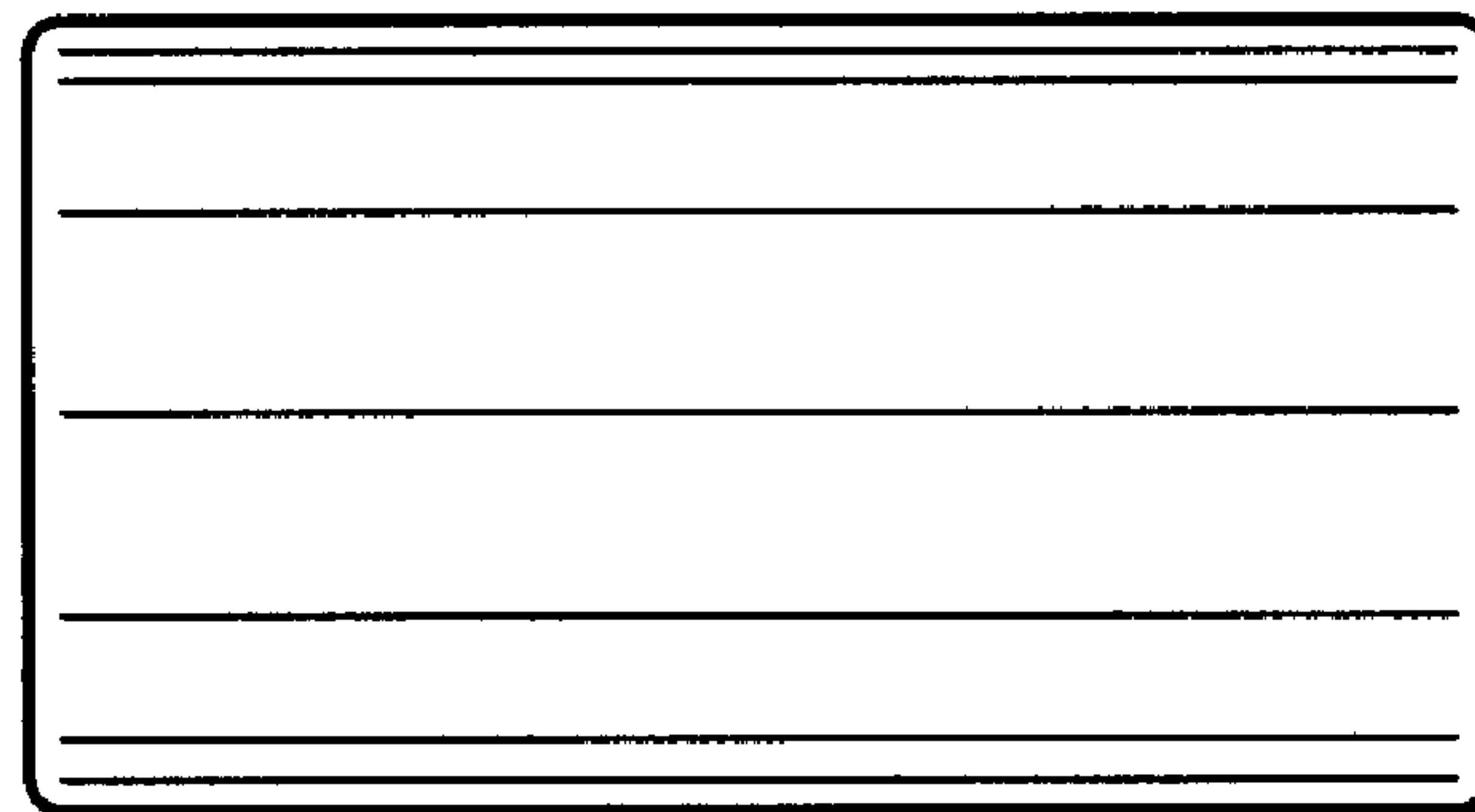
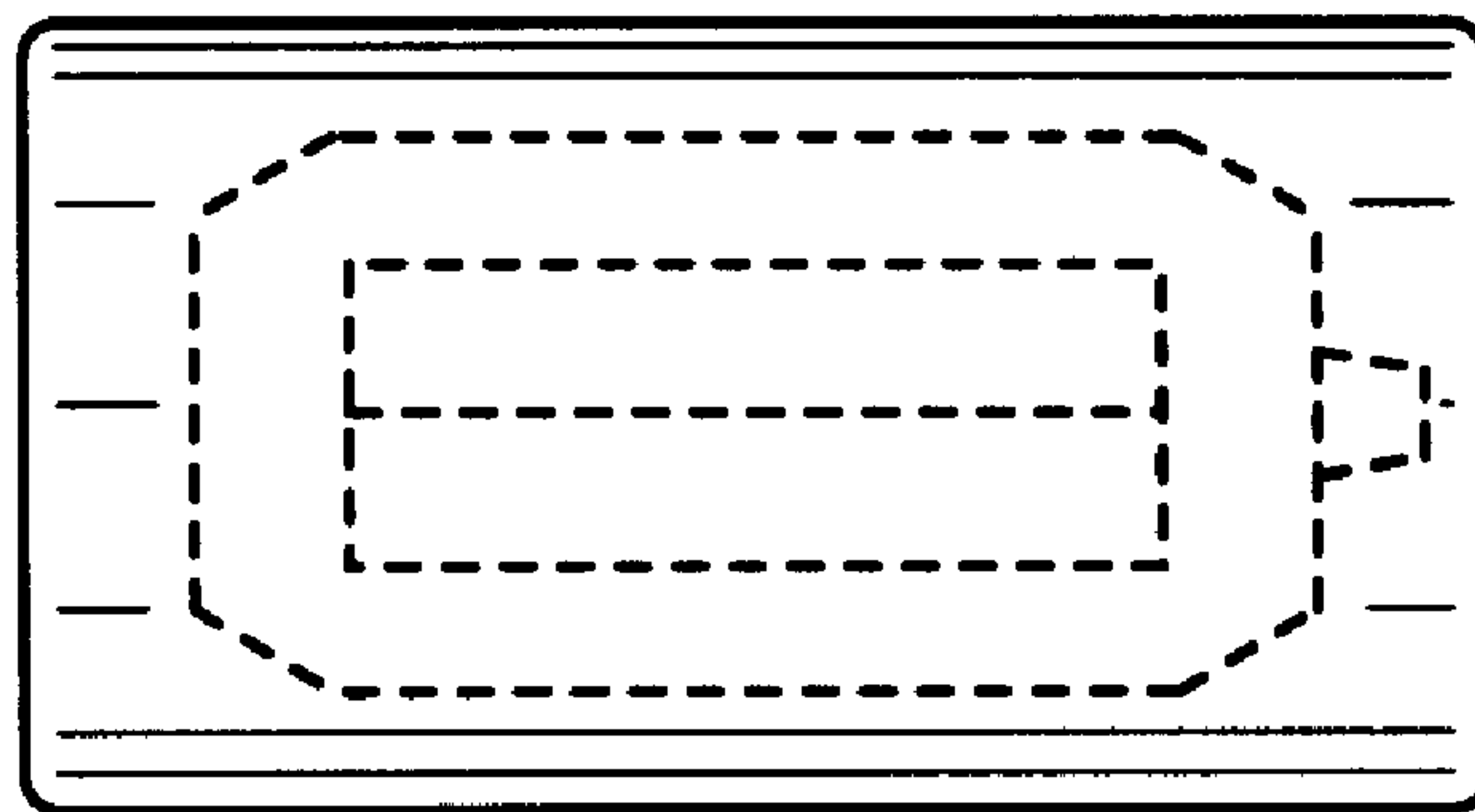


Fig. 7