



US00D512431S

(12) **United States Design Patent**  
**Liu et al.**

(10) **Patent No.:** **US D512,431 S**  
(45) **Date of Patent:** **\*\* Dec. 6, 2005**

(54) **COMPUTER FRONT BEZEL**  
(75) Inventors: **Yuan-Yuan Liu**, Shenzhen (CN);  
**Chun-Chi Liang**, Tu-Chen (TW);  
**Yun-Dong Xu**, Shenzhen (CN); **Rong He**, Shenzhen (CN)

D491,573 S \* 6/2004 Chen et al. .... D14/445  
D492,317 S \* 6/2004 Chen et al. .... D14/445  
D499,406 S \* 12/2004 Su et al. .... D14/441  
D499,417 S \* 12/2004 Su et al. .... D14/445  
D499,420 S \* 12/2004 Su et al. .... D14/445  
D500,762 S \* 1/2005 Chen et al. .... D14/444  
D503,403 S \* 3/2005 Su et al. .... D14/444

(73) Assignee: **Hon Hai Precision Ind. Co., Ltd.**,  
Taipei Hsien (TW)

\* cited by examiner

(\*\*) Term: **14 Years**

*Primary Examiner*—Cathron C. Brooks

*Assistant Examiner*—Austin Murphy

(74) *Attorney, Agent, or Firm*—Wei Te Chung

(21) Appl. No.: **29/220,507**

(22) Filed: **Dec. 29, 2004**

(57) **CLAIM**

The ornamental design for a computer front bezel, as shown and described.

(30) **Foreign Application Priority Data**

**DESCRIPTION**

Nov. 13, 2004 (CN) ..... 200430092805

(51) **LOC (8) Cl.** ..... **14-02**

(52) **U.S. Cl.** ..... **D14/444**

(58) **Field of Search** ..... D14/257, 441,  
D14/442, 443, 440, 439, 444, 445, 446;  
D13/162, 184, 199; 312/223.2; 361/682,  
690

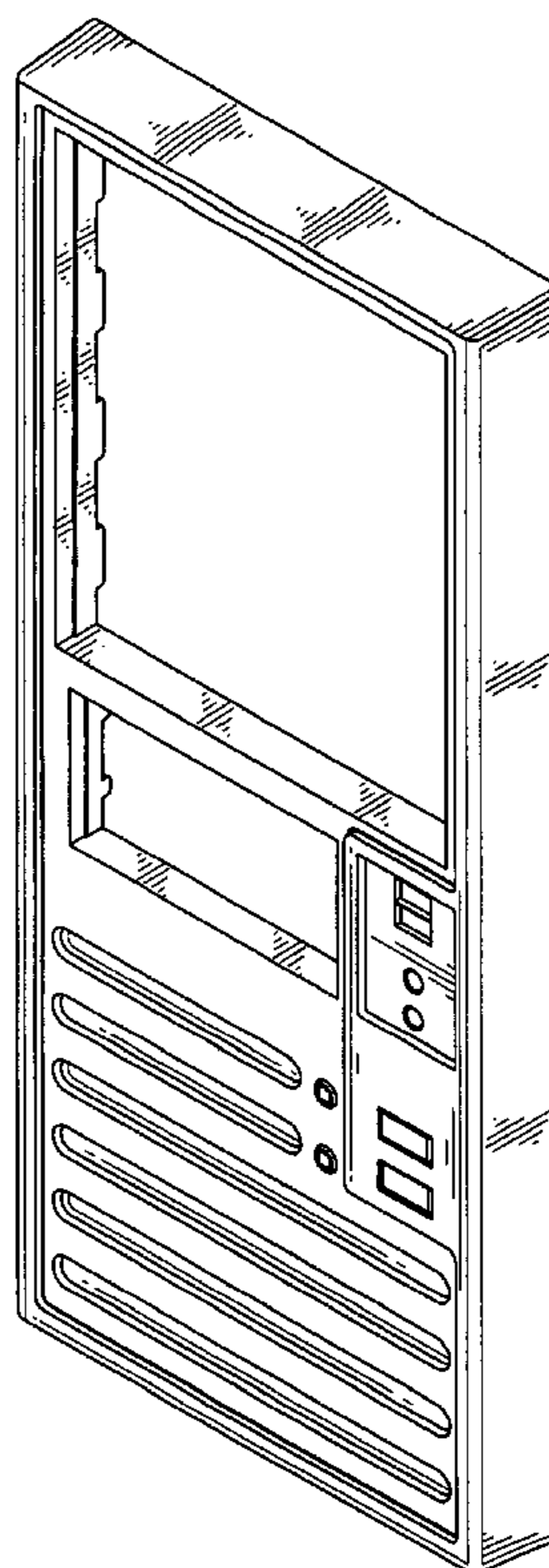
FIG. 1 is a perspective view of a computer front bezel of our new design;  
FIG. 2 is a front elevational view thereof;  
FIG. 3 is a rear elevational view thereof;  
FIG. 4 is a left side elevational view thereof;  
FIG. 5 is a right side elevational view thereof;  
FIG. 6 is a top plan view thereof;  
FIG. 7 is a bottom plan view thereof; and,  
FIG. 8 is a perspective view thereof being mounted to a computer enclosure which is shown in broken lines for illustrative purposes only and forms no part of the claimed design.

(56) **References Cited**

**U.S. PATENT DOCUMENTS**

D408,393 S \* 4/1999 Fu ..... D14/445  
D489,729 S \* 5/2004 Xu et al. .... D14/444  
D491,568 S \* 6/2004 Chen et al. .... D14/444  
D491,569 S \* 6/2004 Chen et al. .... D14/444  
D491,572 S \* 6/2004 Chen et al. .... D14/445

**1 Claim, 6 Drawing Sheets**



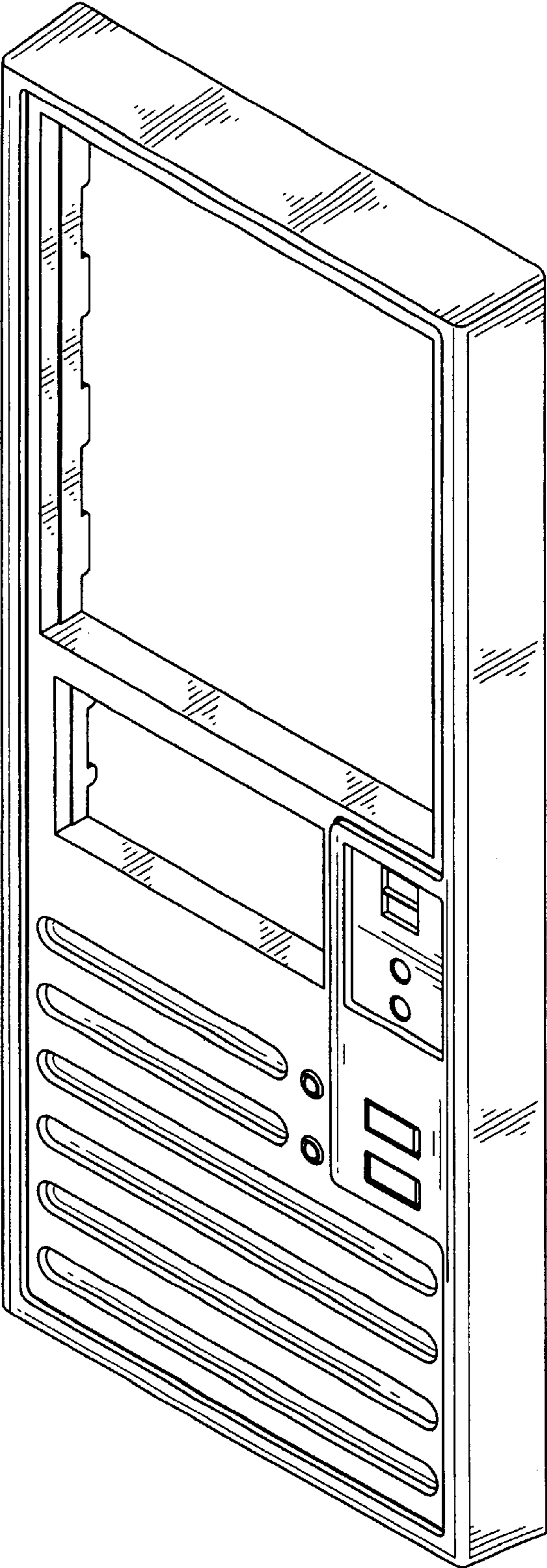


FIG. 1

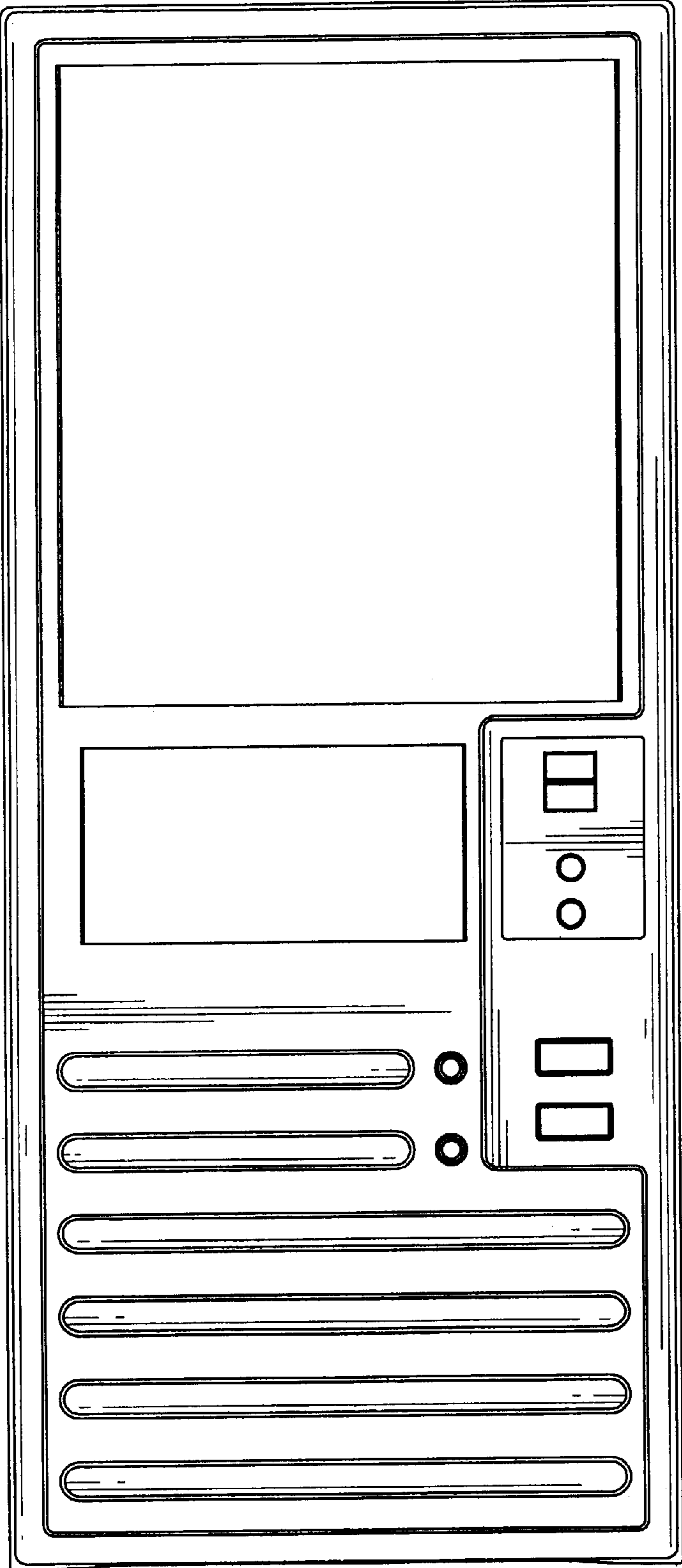


FIG. 2

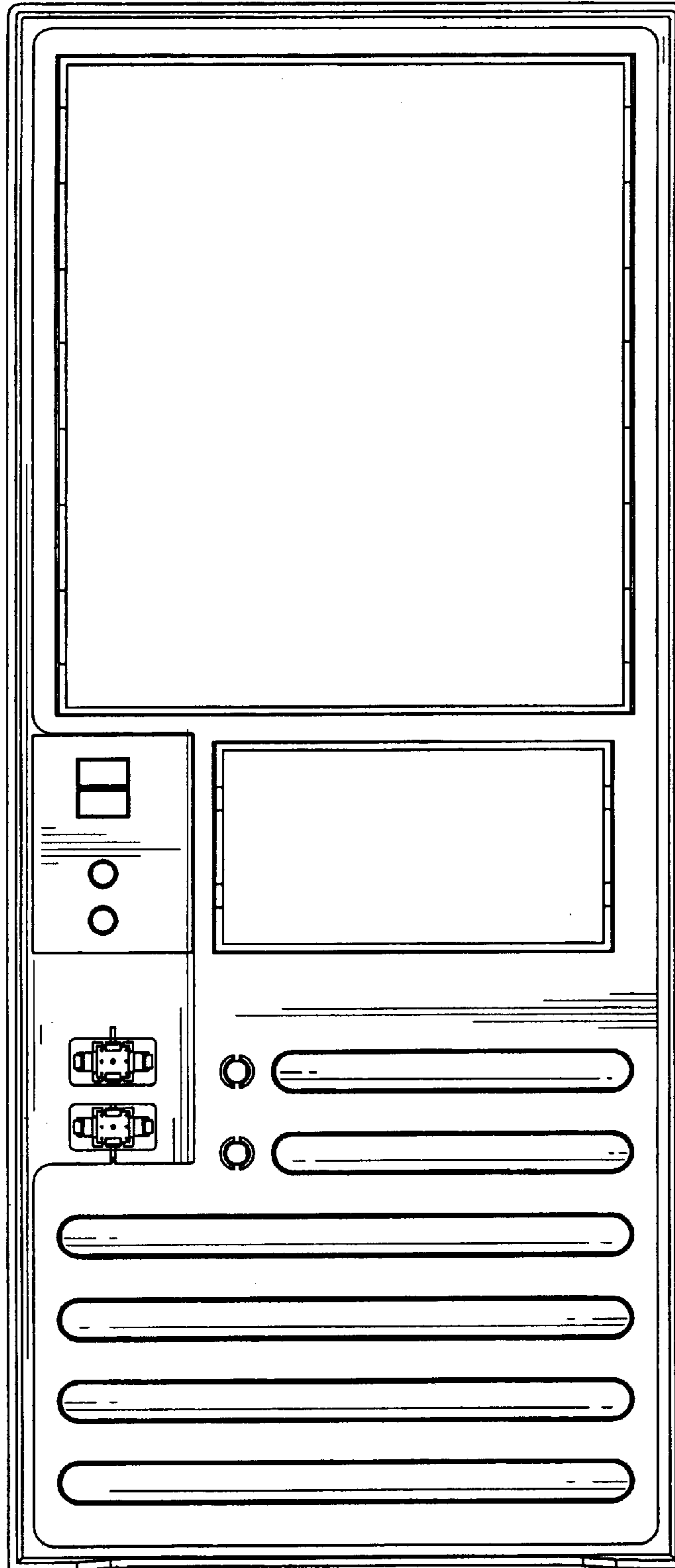


FIG. 3



FIG. 4

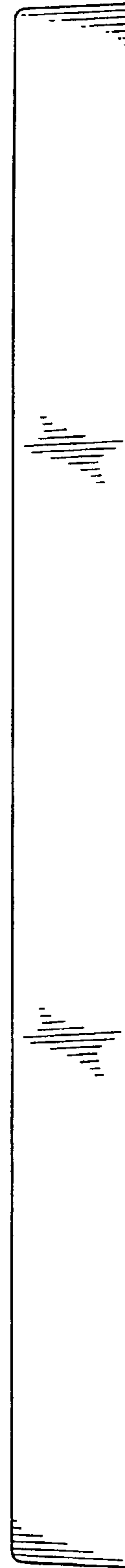


FIG. 5



FIG. 6

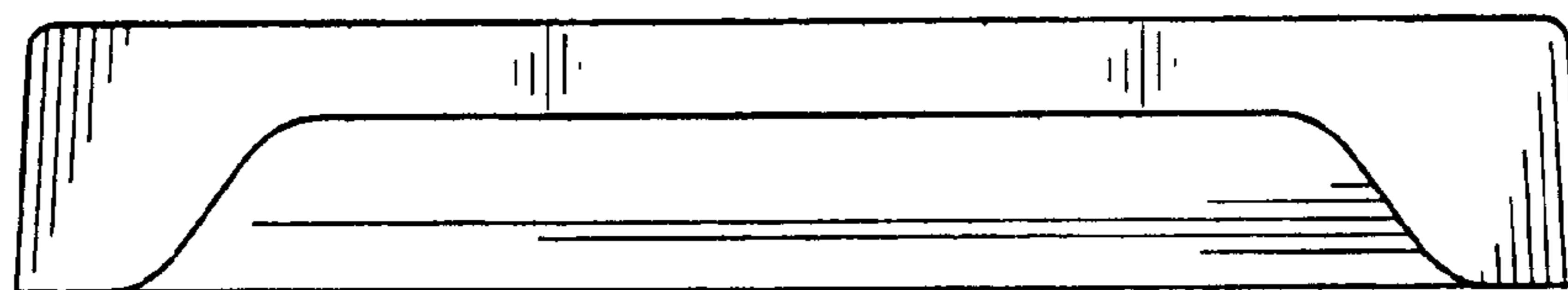


FIG. 7

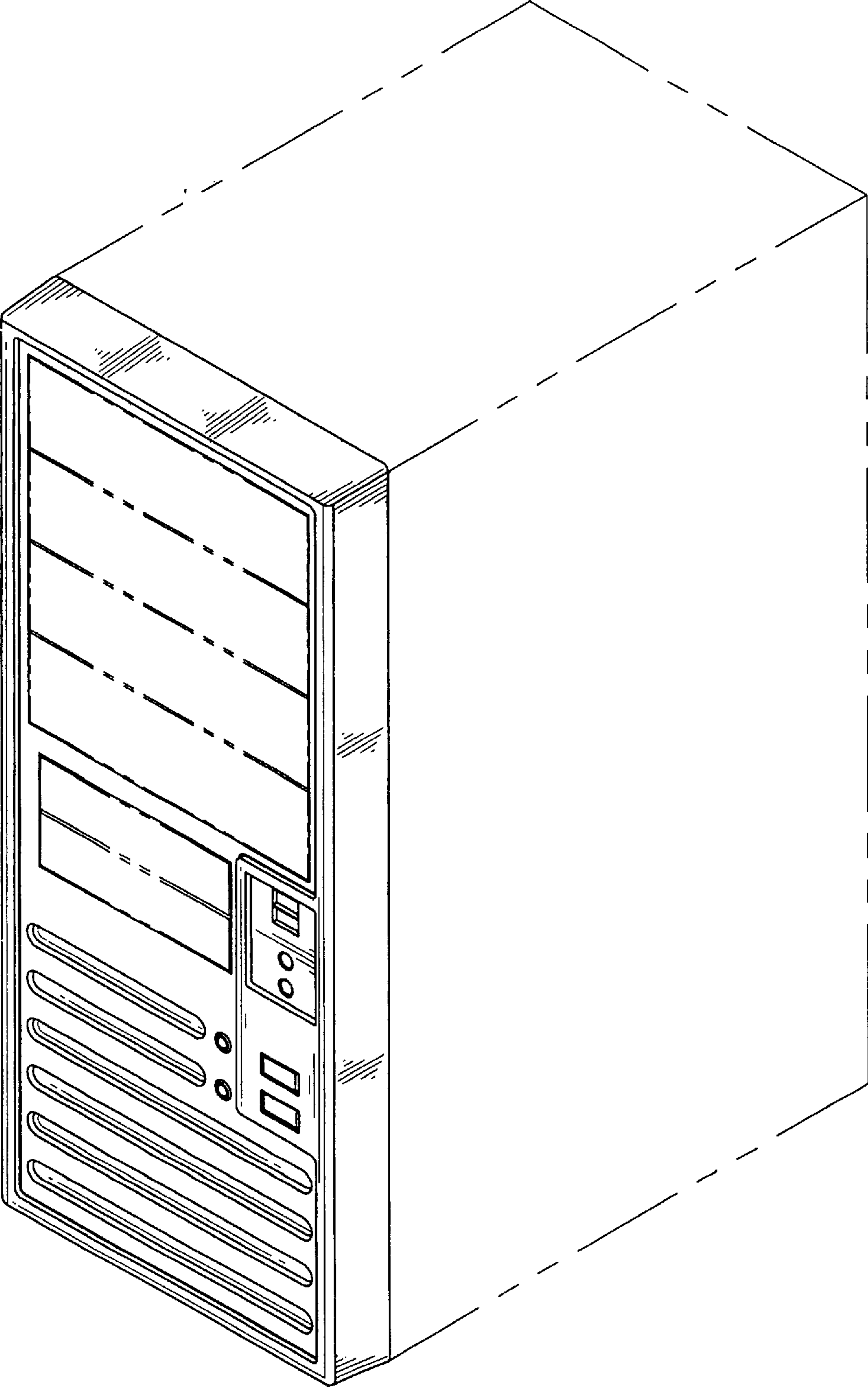


FIG. 8