



US00D512427S

(12) **United States Design Patent** (10) **Patent No.:** **US D512,427 S**
Choi et al. (45) **Date of Patent:** **** Dec. 6, 2005**

(54) **MOBILE TERMINAL “LOBSTER TAIL” HANDLE**

(75) Inventors: **Jaeho Choi**, Douglaston, NY (US);
Curt Croley, Stony Brook, NY (US);
Thomas Wulff, North Patchogue, NY (US)

(73) Assignee: **Symbol Technologies, Inc.**, Holtsville, NY (US)

(**) Term: **14 Years**

(21) Appl. No.: **29/186,047**

(22) Filed: **Jul. 8, 2003**

(51) **LOC (8) Cl.** **14-02**

(52) **U.S. Cl.** **D14/428**

(58) **Field of Search** D14/420, 425,
D14/426, 428, 429, 453, 346, 34; 358/473;
235/462.43, 462.45, 462.47, 462.48, 472.01,
472.02; 16/422, 110.1, 430, 431

(56) **References Cited**

U.S. PATENT DOCUMENTS

4,694,182	A	*	9/1987	Howard	250/566
5,280,159	A	*	1/1994	Schultz et al.	235/382
5,349,497	A	*	9/1994	Hanson et al.	361/683
5,410,141	A	*	4/1995	Koenck et al.	235/472.02
5,496,992	A	*	3/1996	Madan et al.	235/472.02
5,636,409	A	*	6/1997	Akins	16/422
5,736,726	A	*	4/1998	VanHorn et al.	235/472.02
5,801,918	A	*	9/1998	Ahearn et al.	361/683
5,818,027	A	*	10/1998	Paratore	235/472.01

5,969,328	A	*	10/1999	Kunert	235/472.01
5,996,896	A	*	12/1999	Grabon	235/472.02
6,109,528	A	*	8/2000	Kunert et al.	235/472.01
6,158,662	A	*	12/2000	Kahn et al.	235/472.01
6,244,513	B1	*	6/2001	Schlieffers et al.	235/472.01
6,321,990	B1	*	11/2001	Giordano et al.	235/472.01
D460,075	S	*	7/2002	Destefano et al.	D14/428
6,824,061	B1	*	11/2004	Hattersley et al.	235/472.01

* cited by examiner

Primary Examiner—Alan P. Douglas

Assistant Examiner—Susan Moon Lee

(74) *Attorney, Agent, or Firm*—Amin & Turocy, LLP

(57) **CLAIM**

The ornamental design for a mobile terminal “lobster tail” handle, as shown and described.

DESCRIPTION

FIG. 1 is a perspective view of the top, front, and right side of a mobile terminal “lobster tail” handle showing our new design.

FIG. 2 is perspective view of the top, back, and right side thereof;

FIG. 3 is a front view thereof;

FIG. 4 is a back view thereof;

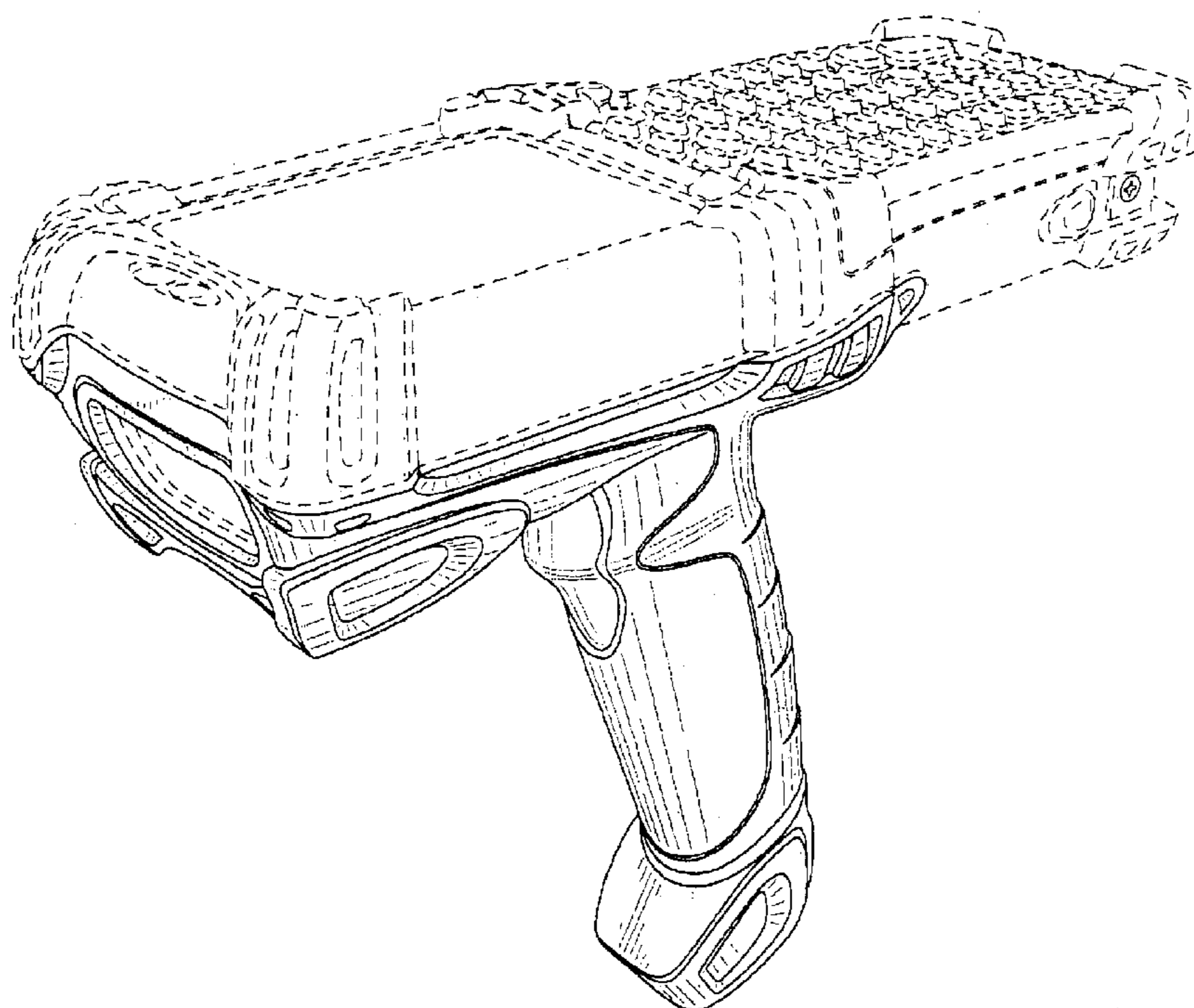
FIG. 5 is a right side view thereof, the left side view being a mirror image;

FIG. 6 is a top view thereof; and,

FIG. 7 is a bottom view thereof.

The broken lines shown in FIGS. 1–7 are for illustrative purposes only and form no part of the claimed design.

1 Claim, 7 Drawing Sheets



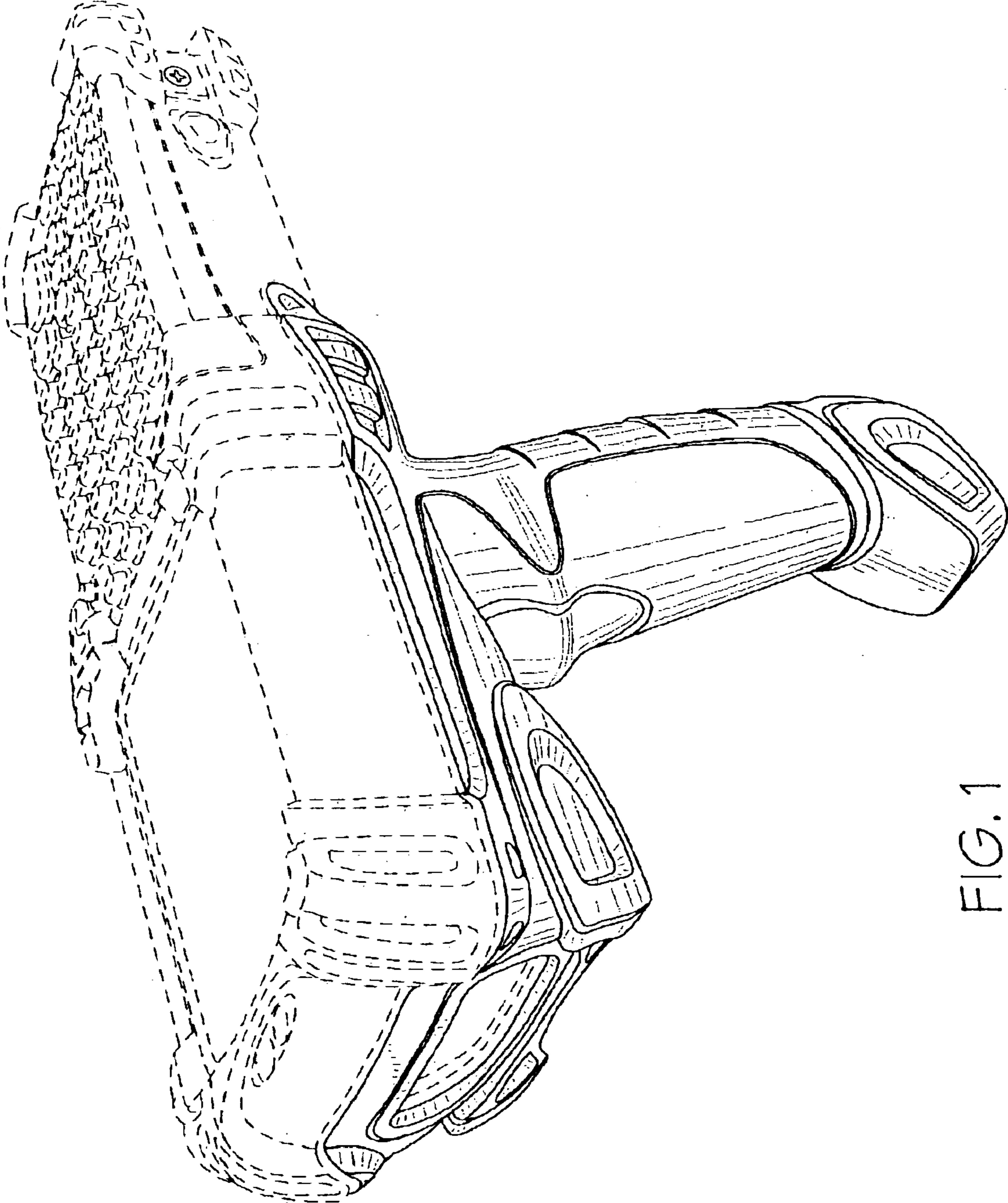


FIG. 1

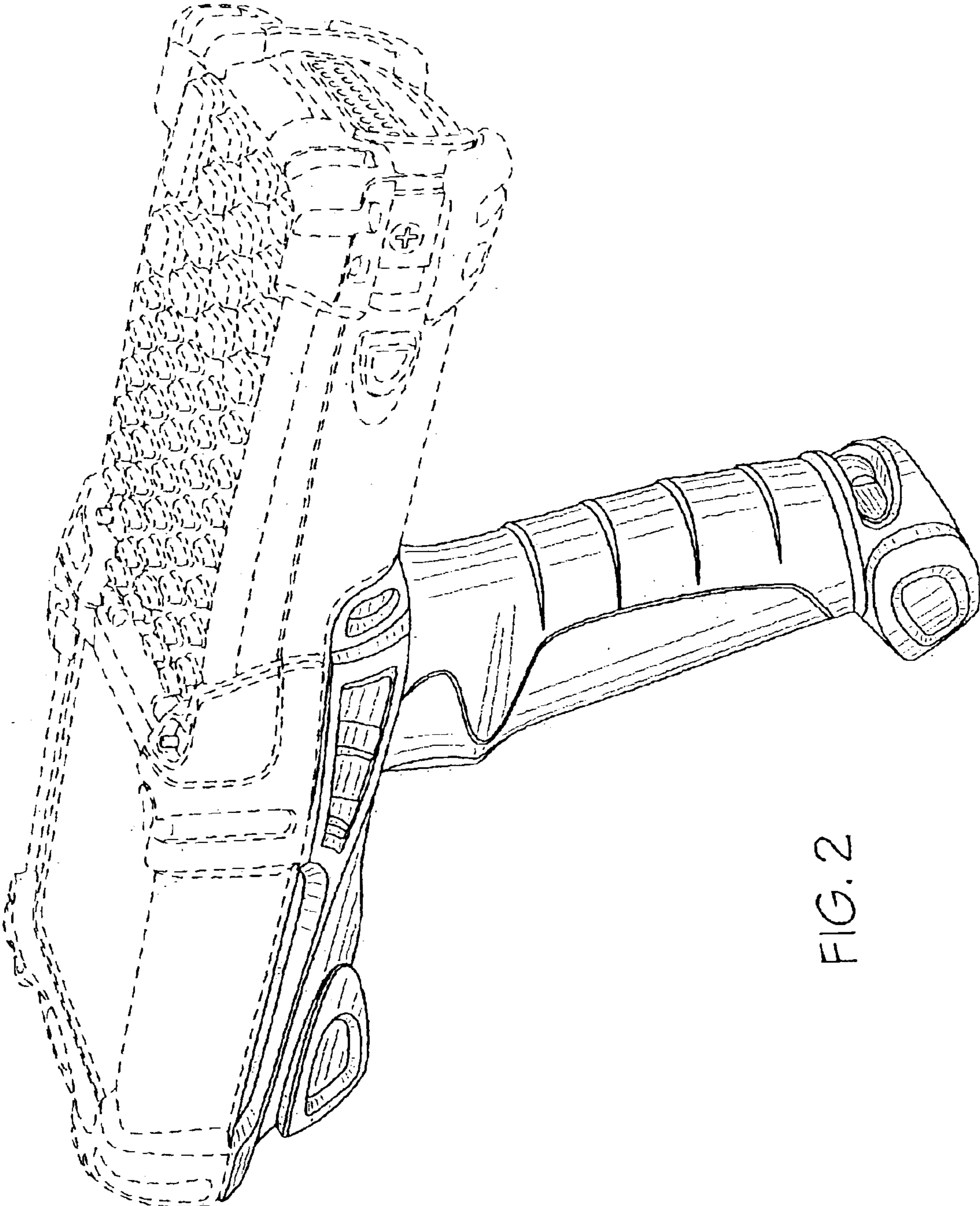


FIG. 2

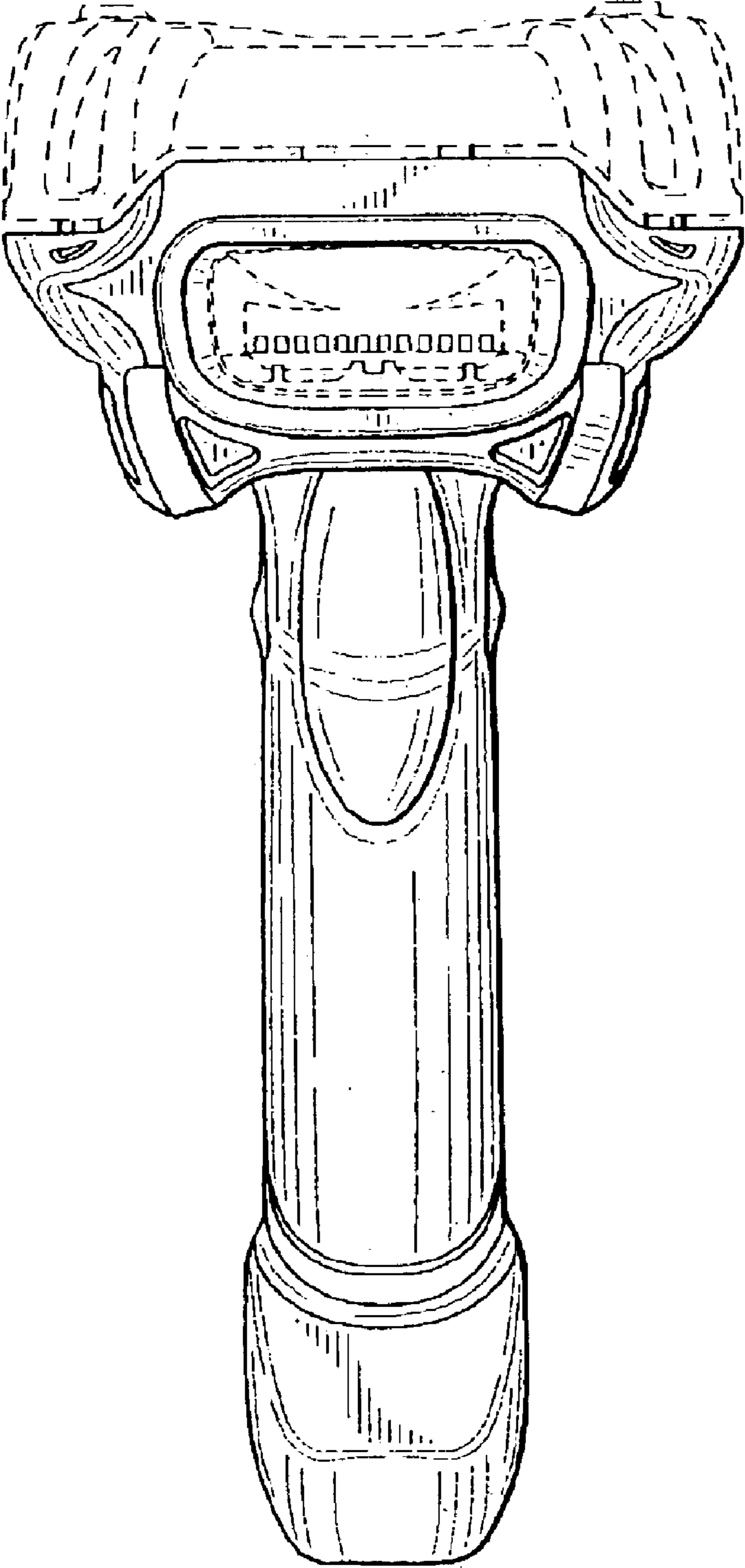


FIG. 3

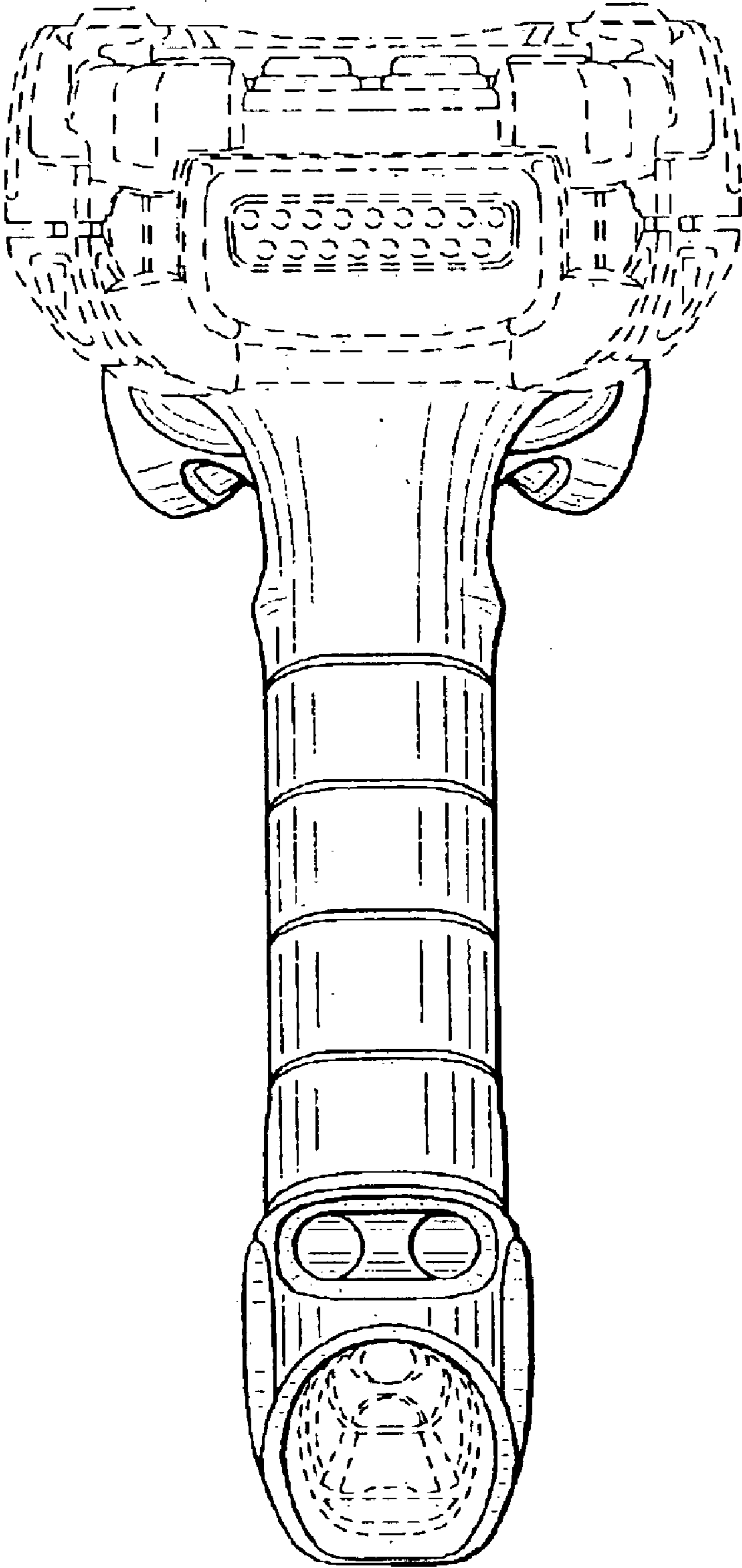


FIG. 4

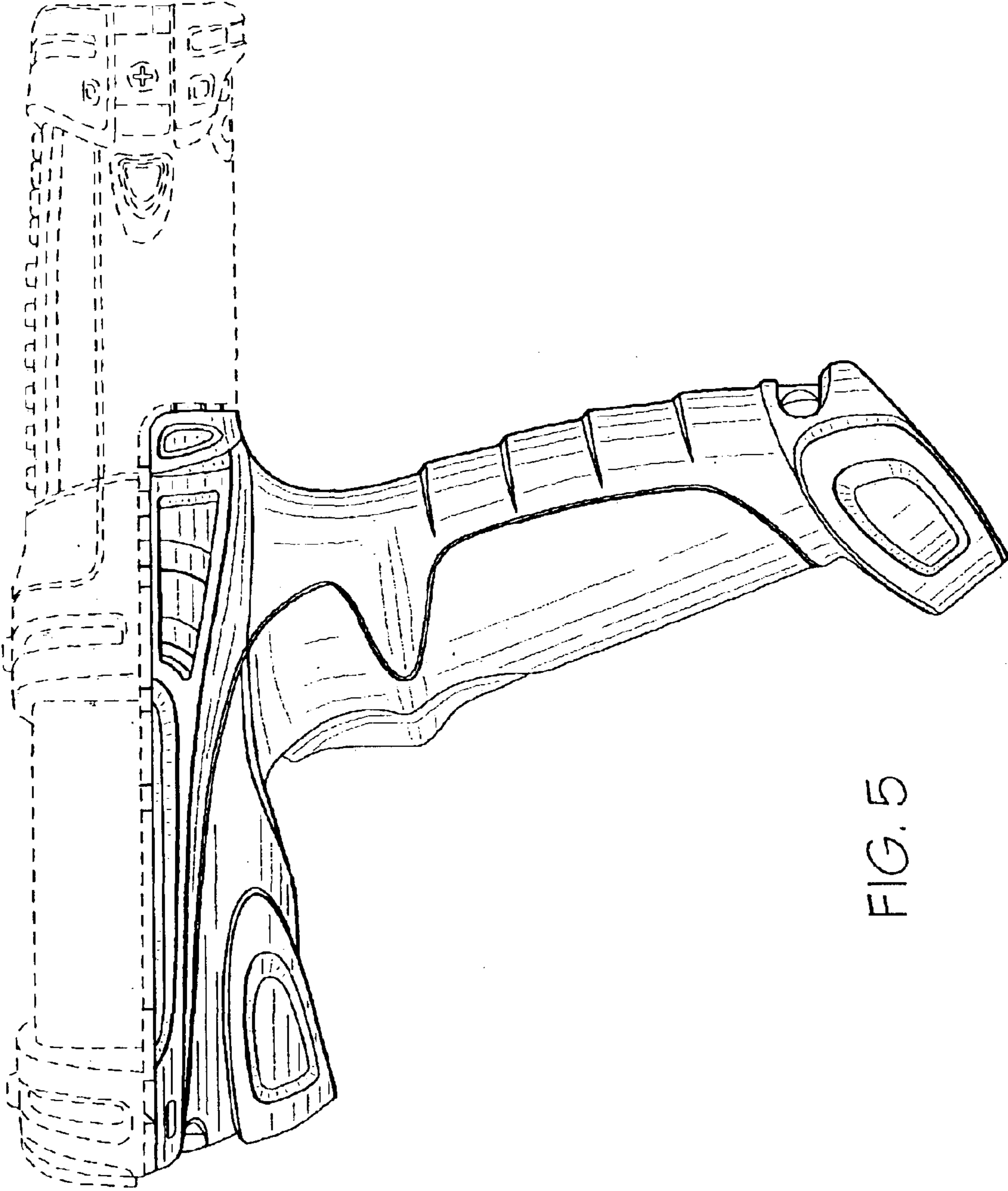


FIG. 5

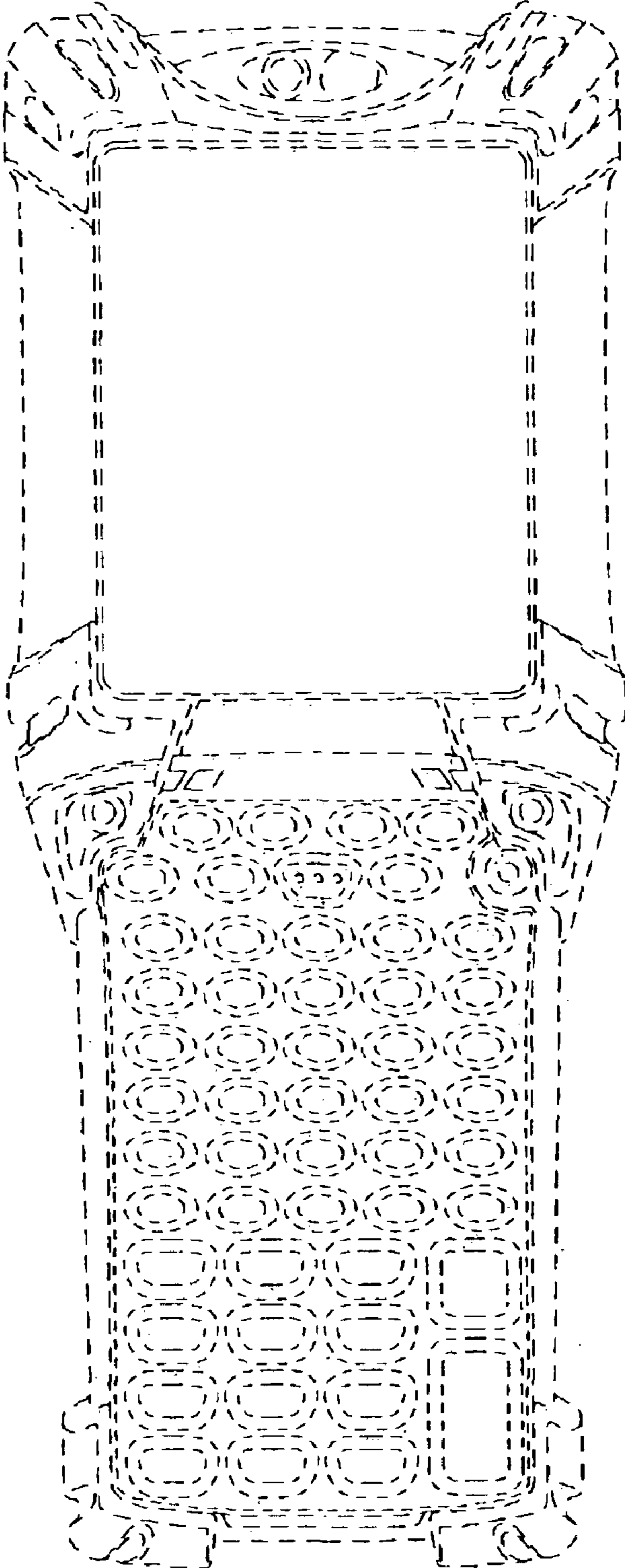


FIG. 6

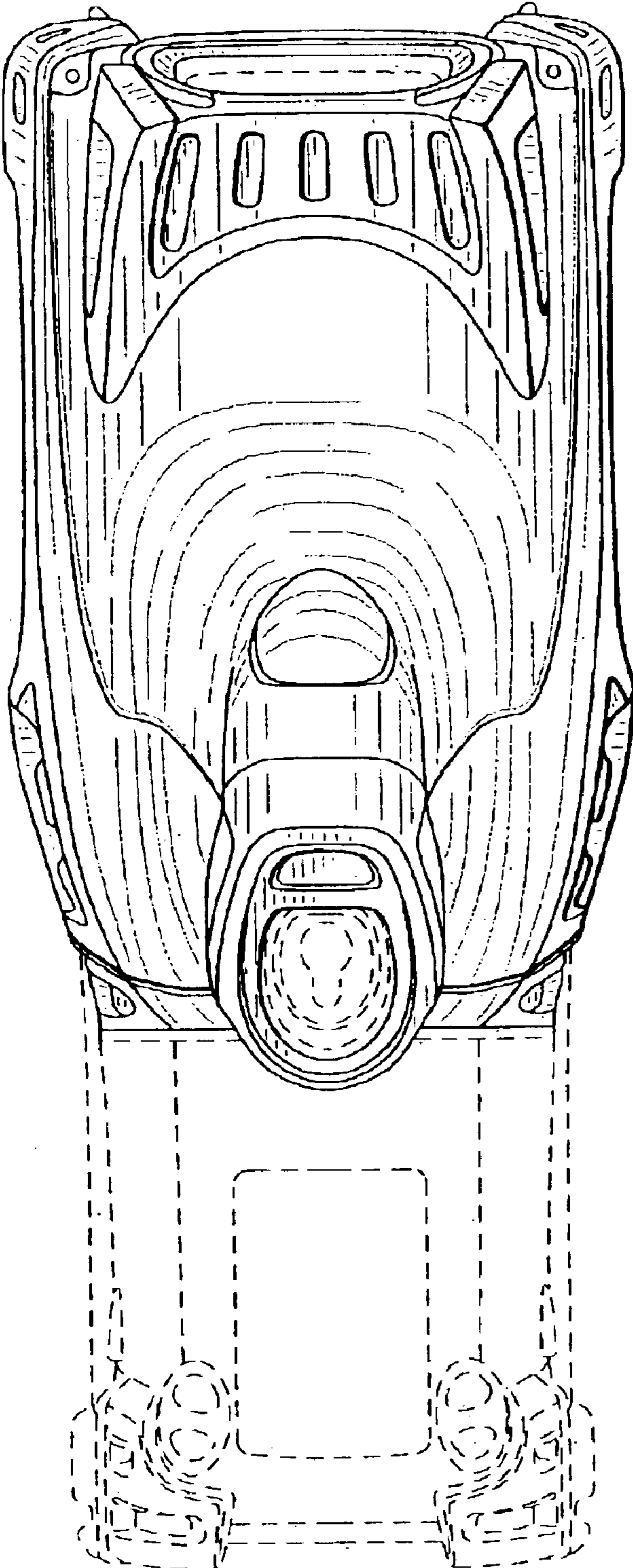


FIG. 7