



US00D512426S

(12) **United States Design Patent**
Baum

(10) **Patent No.:** **US D512,426 S**
(45) **Date of Patent:** **** Dec. 6, 2005**

(54) **BAR CODE READER DESIGN**

(75) Inventor: **Rolf Baum**, Kirchzarten (DE)

(73) Assignee: **Sick AG**, Waldkirch (DE)

(**) Term: **14 Years**

(21) Appl. No.: **29/170,026**

(22) Filed: **Oct. 29, 2002**

(30) **Foreign Application Priority Data**

Apr. 30, 2002 (DE) 402 03 779

(51) **LOC (8) Cl.** **14-02**

(52) **U.S. Cl.** **D14/421**

(58) **Field of Search** D14/420, 425,
D14/426, 453; 235/462.01, 462.43, 462.45,
462.46, 462.47, 472.01, 472.02, 472.03,
454; 358/473, 474

(56) **References Cited**

U.S. PATENT DOCUMENTS

5,175,420 A * 12/1992 Bianco 235/462.33
6,161,758 A * 12/2000 Collins et al. 235/462.01

* cited by examiner

Primary Examiner—Alan P. Douglas

Assistant Examiner—Susan M. Lee

(74) *Attorney, Agent, or Firm*—Townsend and Townsend and Crew LLP

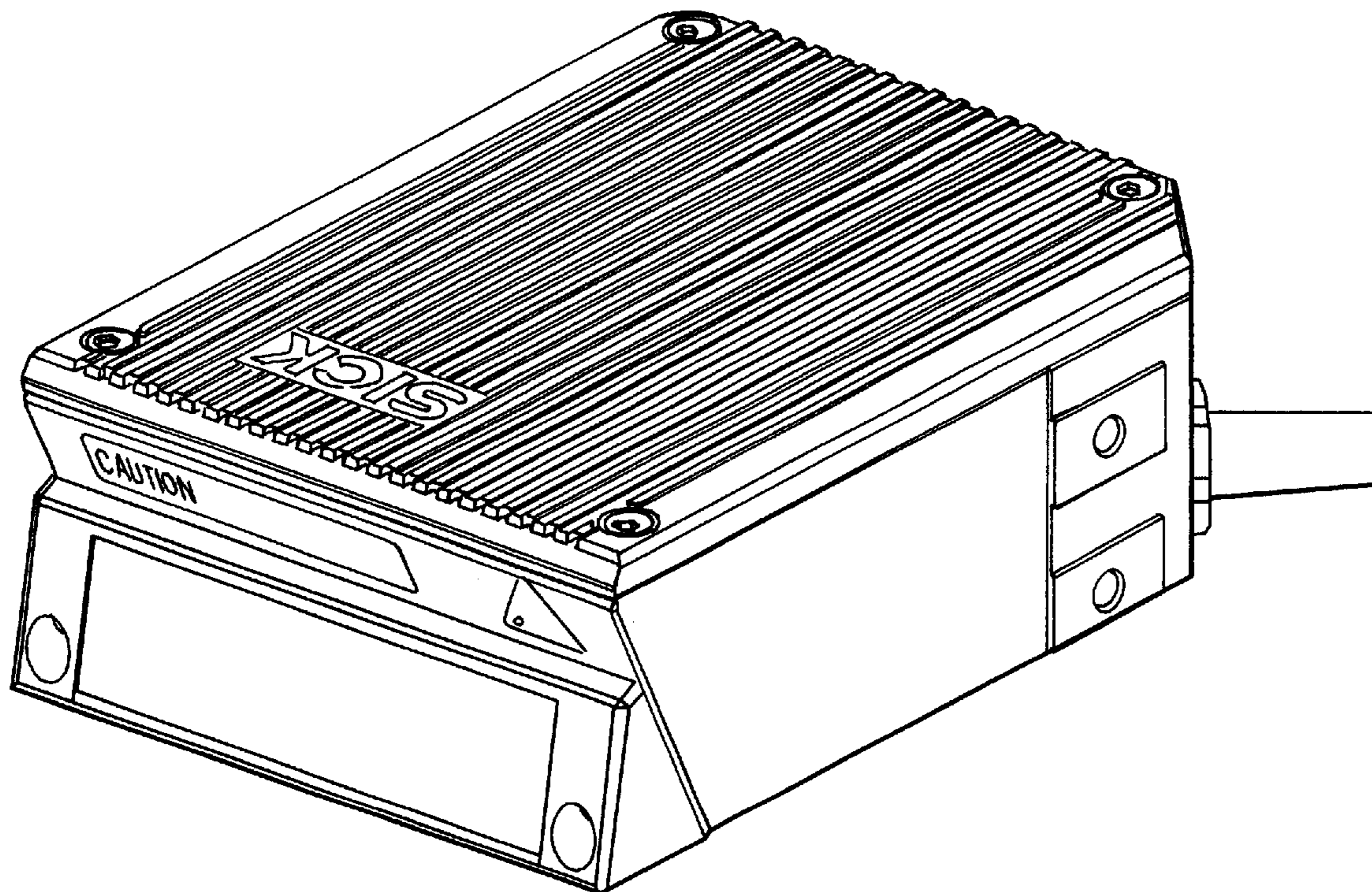
(57) **CLAIM**

The ornamental design for a bar code reader design, as shown and described herein.

DESCRIPTION

FIG. 1 is a front and side elevational, perspective view of a first embodiment of the bar code reader design; FIG. 2 is a plan view thereof; FIG. 3 is a bottom end view thereof; FIG. 4 is a right side elevational view thereof; FIG. 5 is a left side elevational view thereof; FIG. 6 is a rear end view thereof; FIG. 7 is a front elevational view thereof; FIG. 8 is a front and side elevational view of a second embodiment of the bar code reader design; FIG. 9 is a plan view thereof; FIG. 10 is a bottom end view thereof; FIG. 11 is a right side elevational view thereof; FIG. 12 is a left side elevational view thereof; FIG. 13 is a rear end view thereof; and, FIG. 14 is a front elevational view thereof.

1 Claim, 6 Drawing Sheets



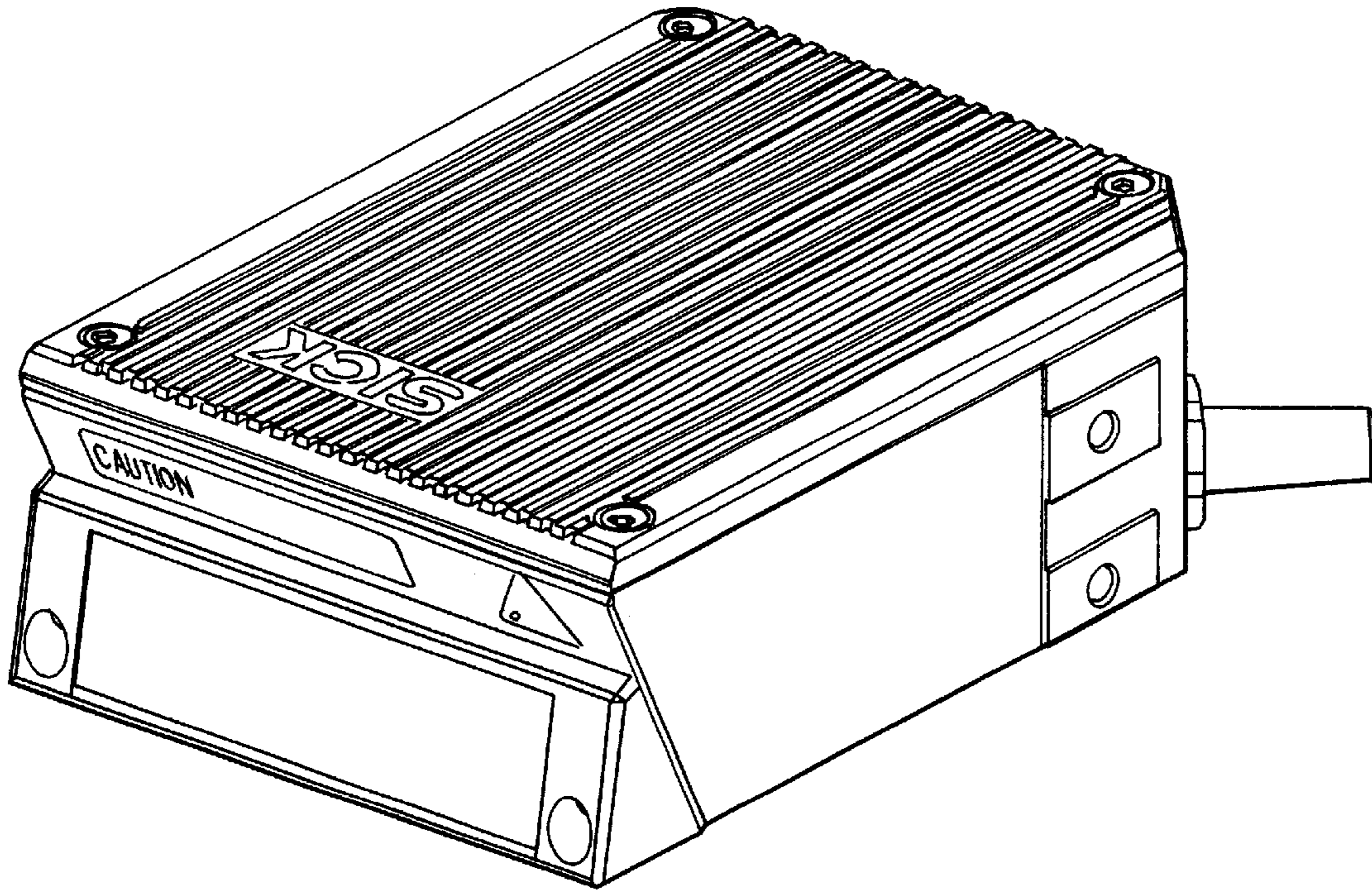


FIG. 1

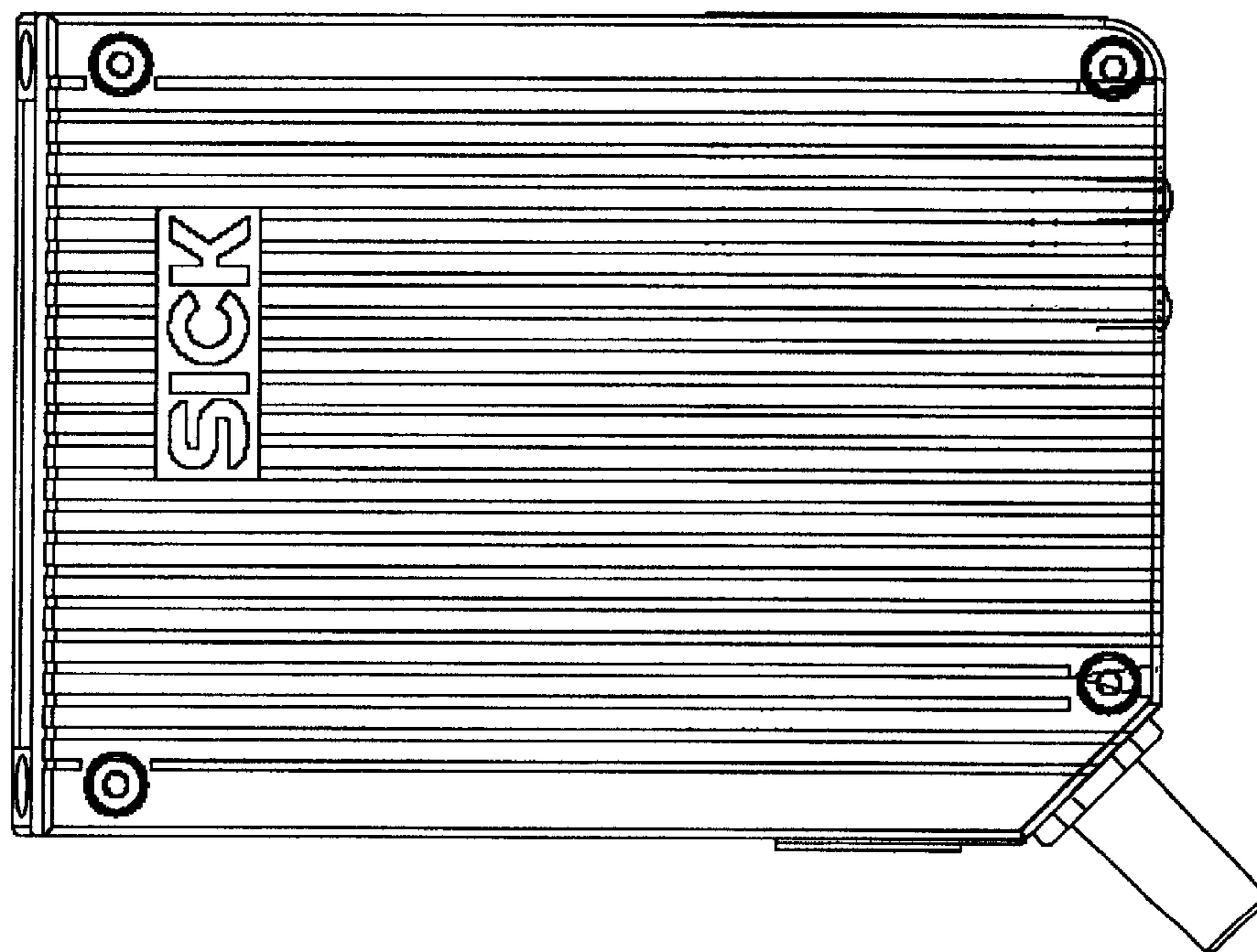


FIG. 2

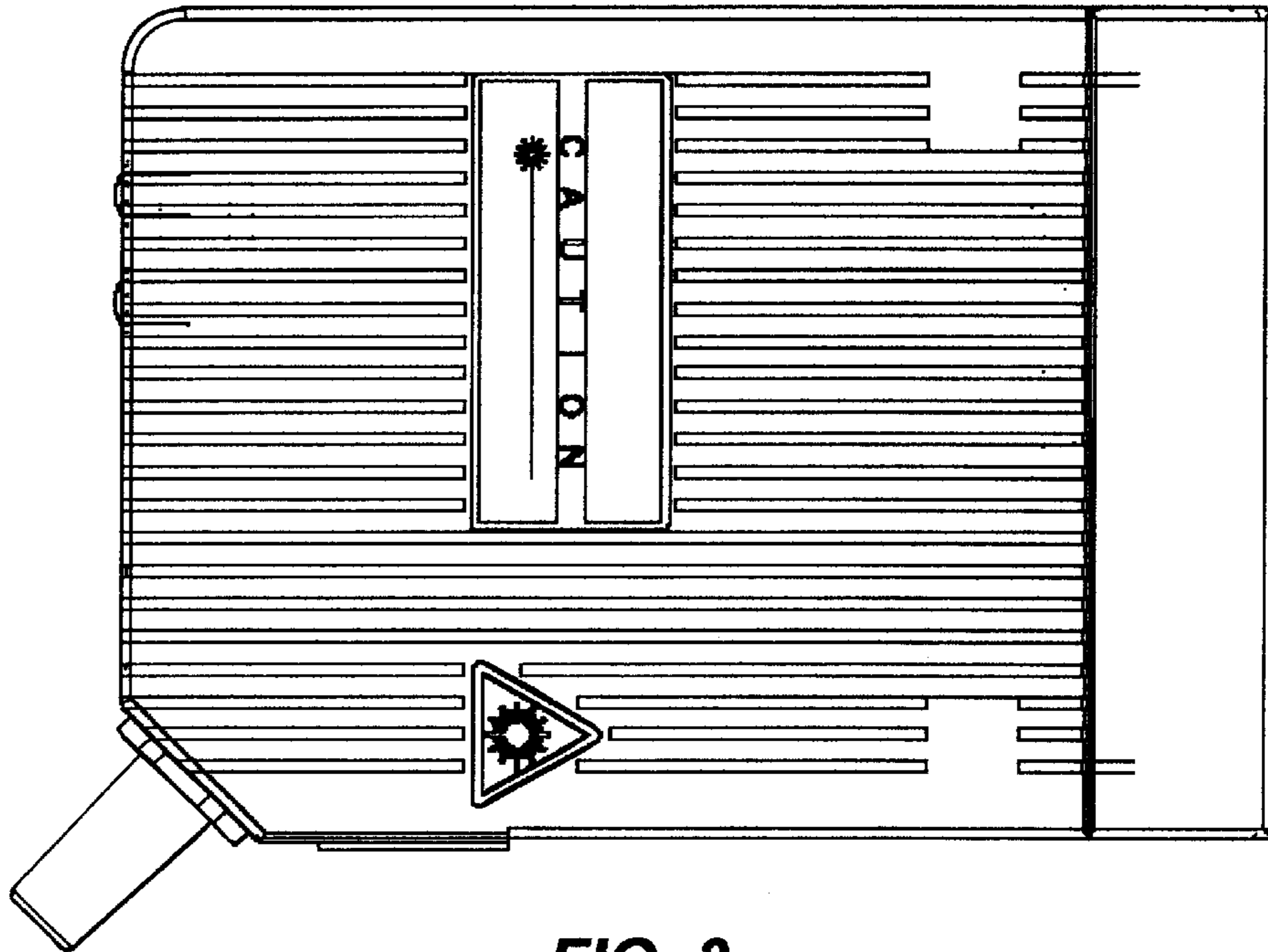


FIG. 3

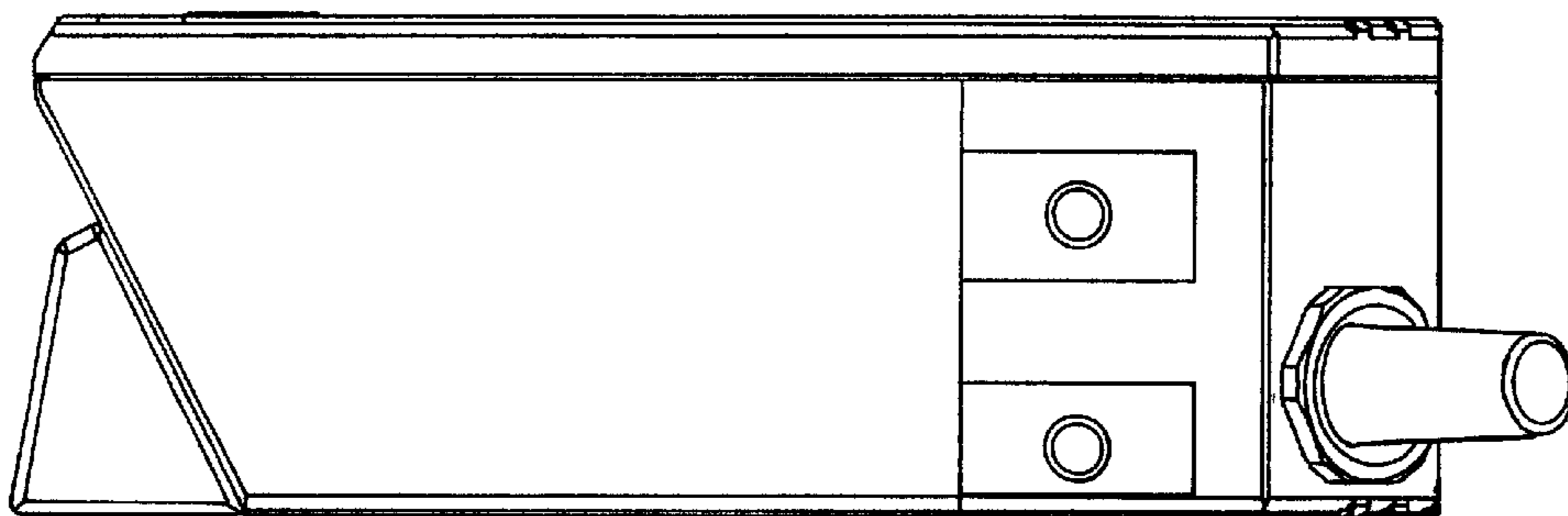


FIG. 4

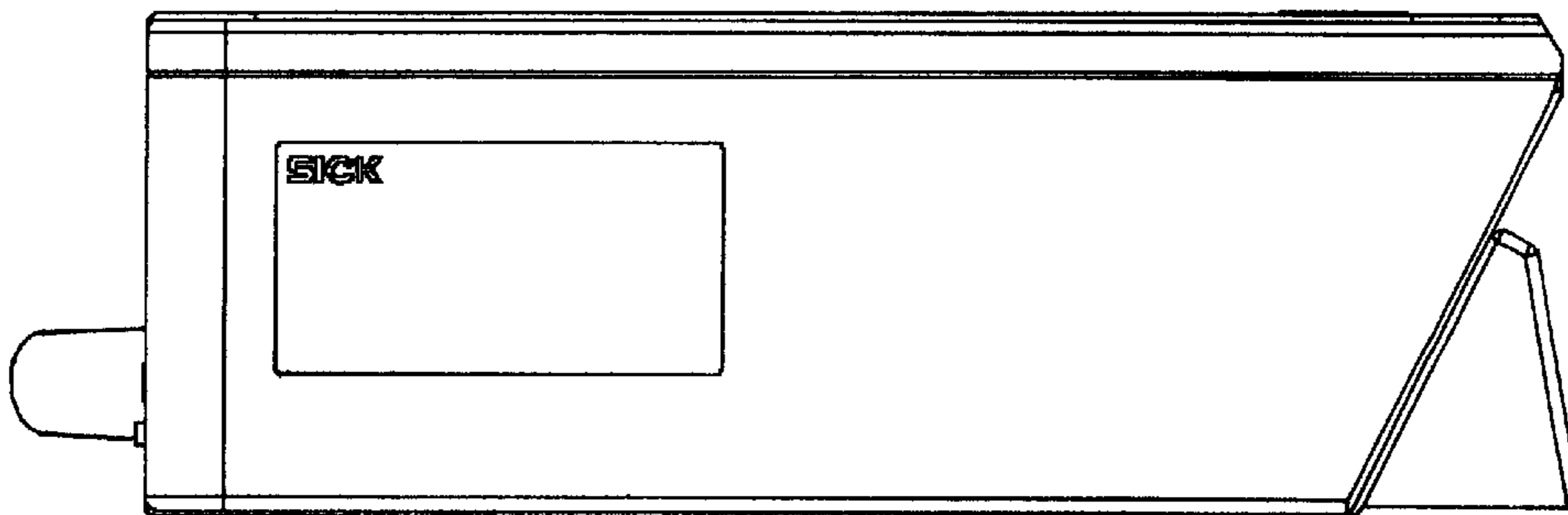


FIG. 5

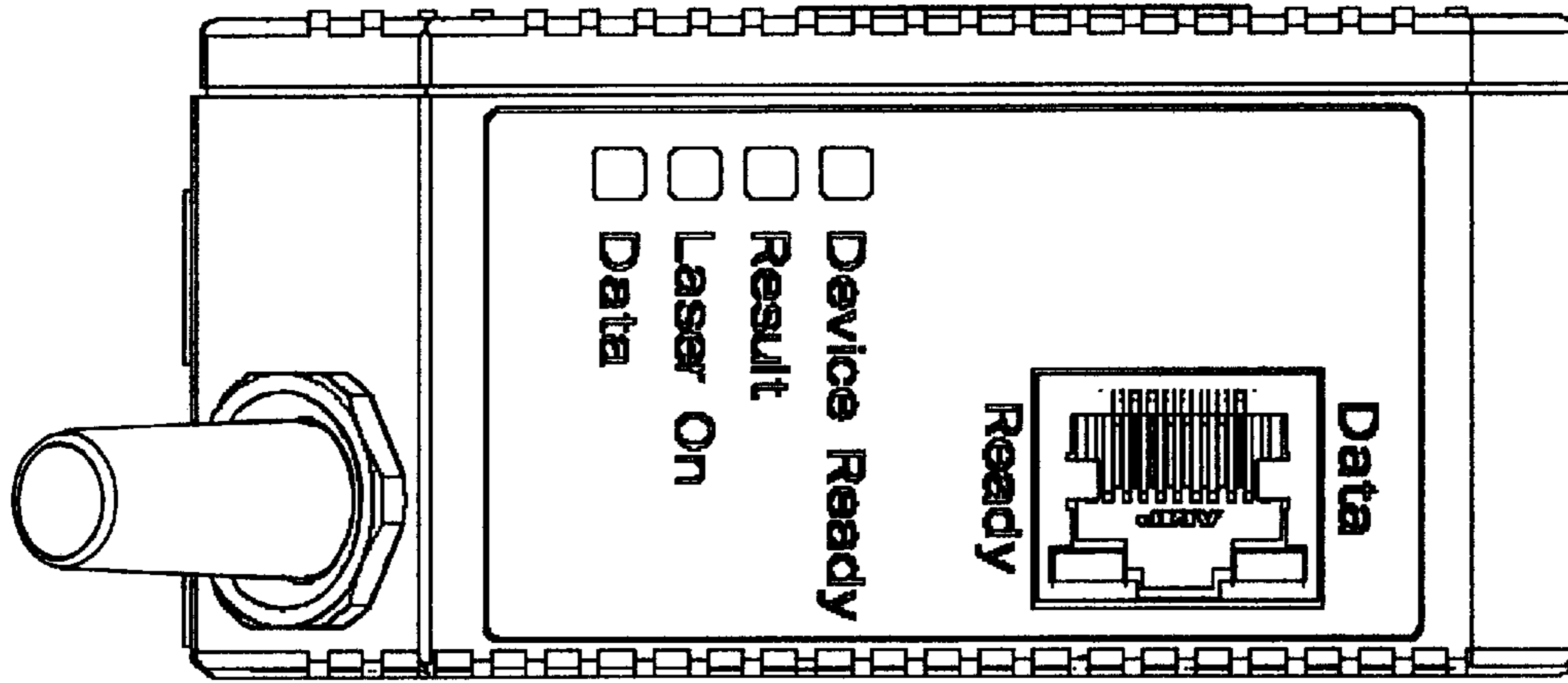


FIG. 6

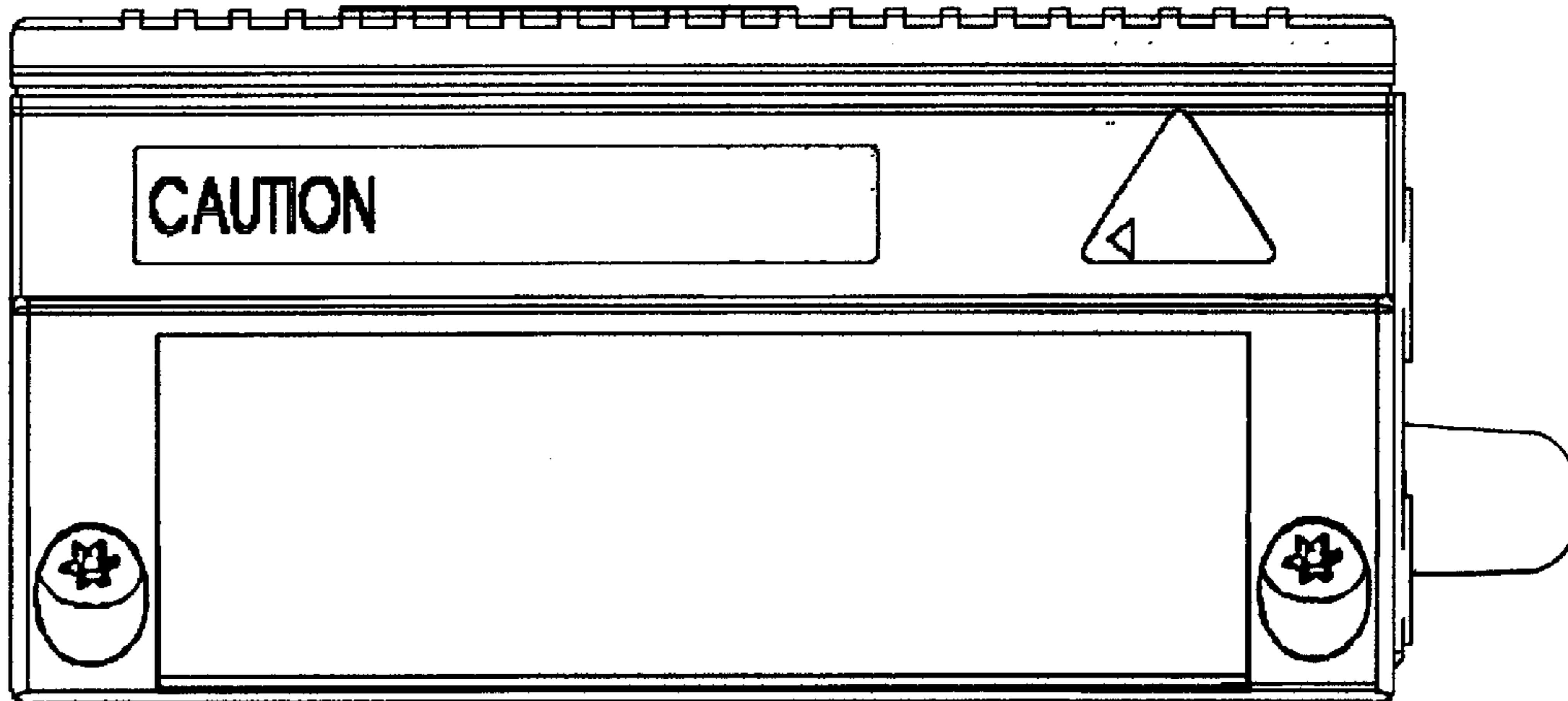


FIG. 7

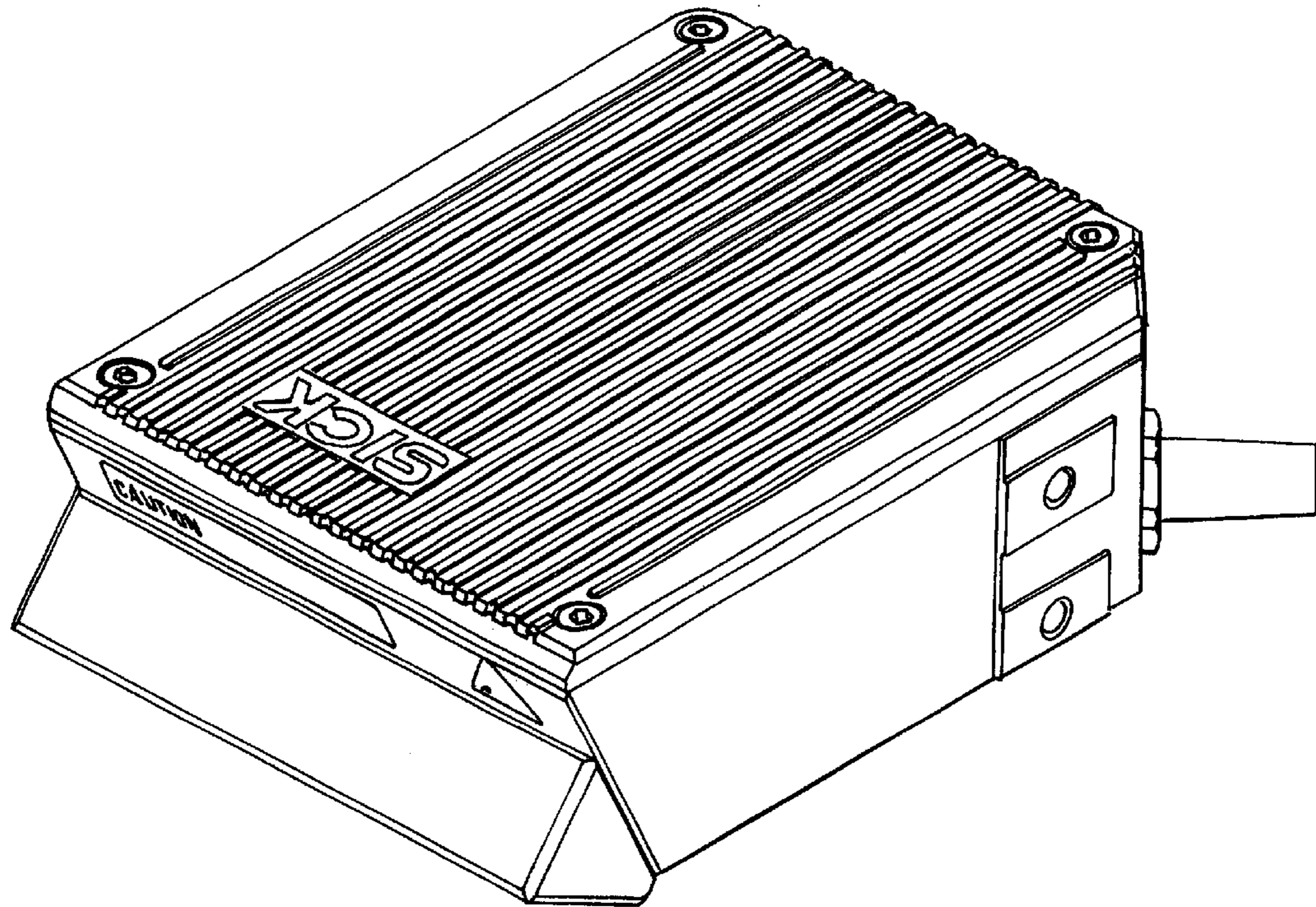


FIG. 8

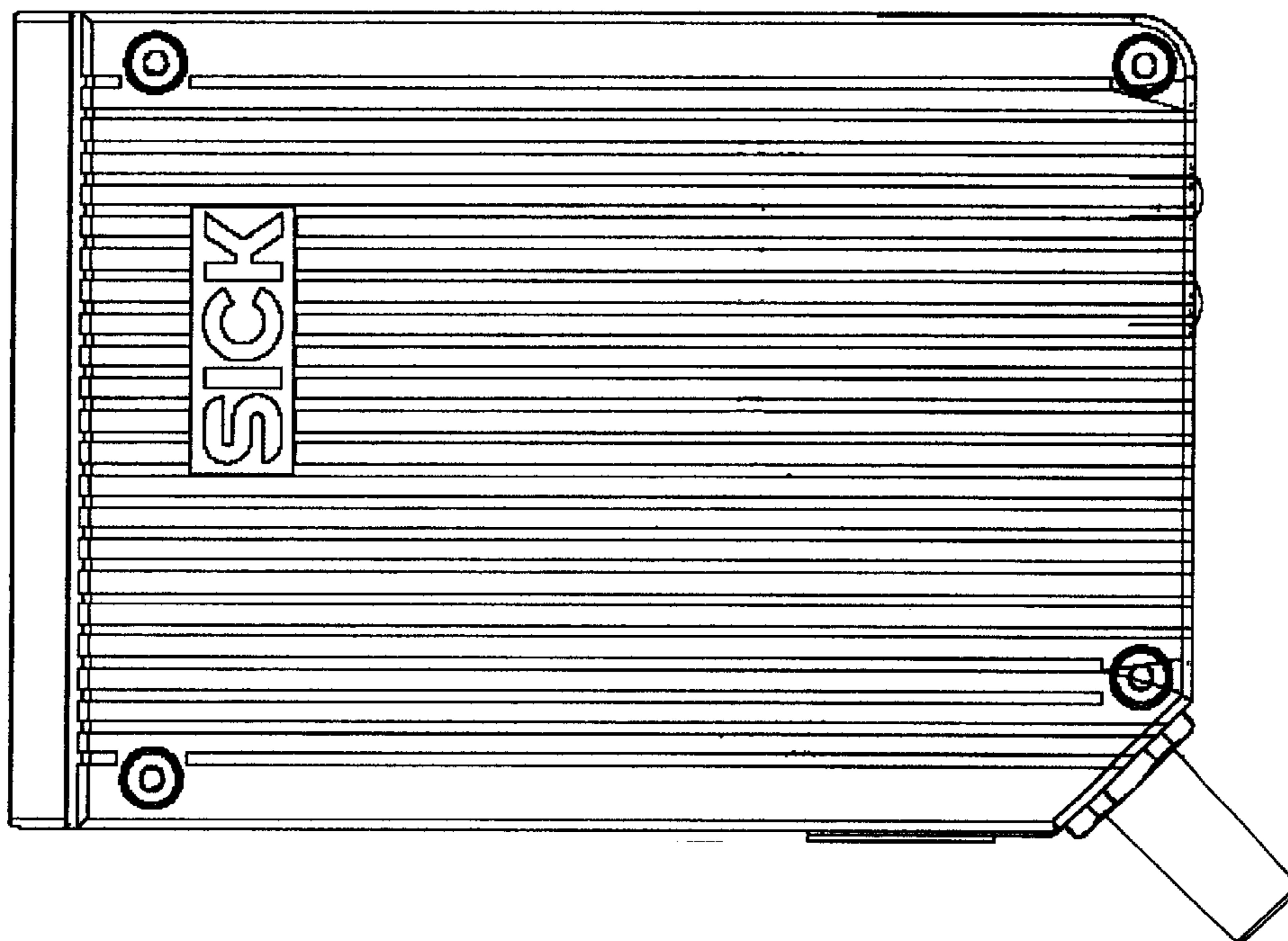


FIG. 9

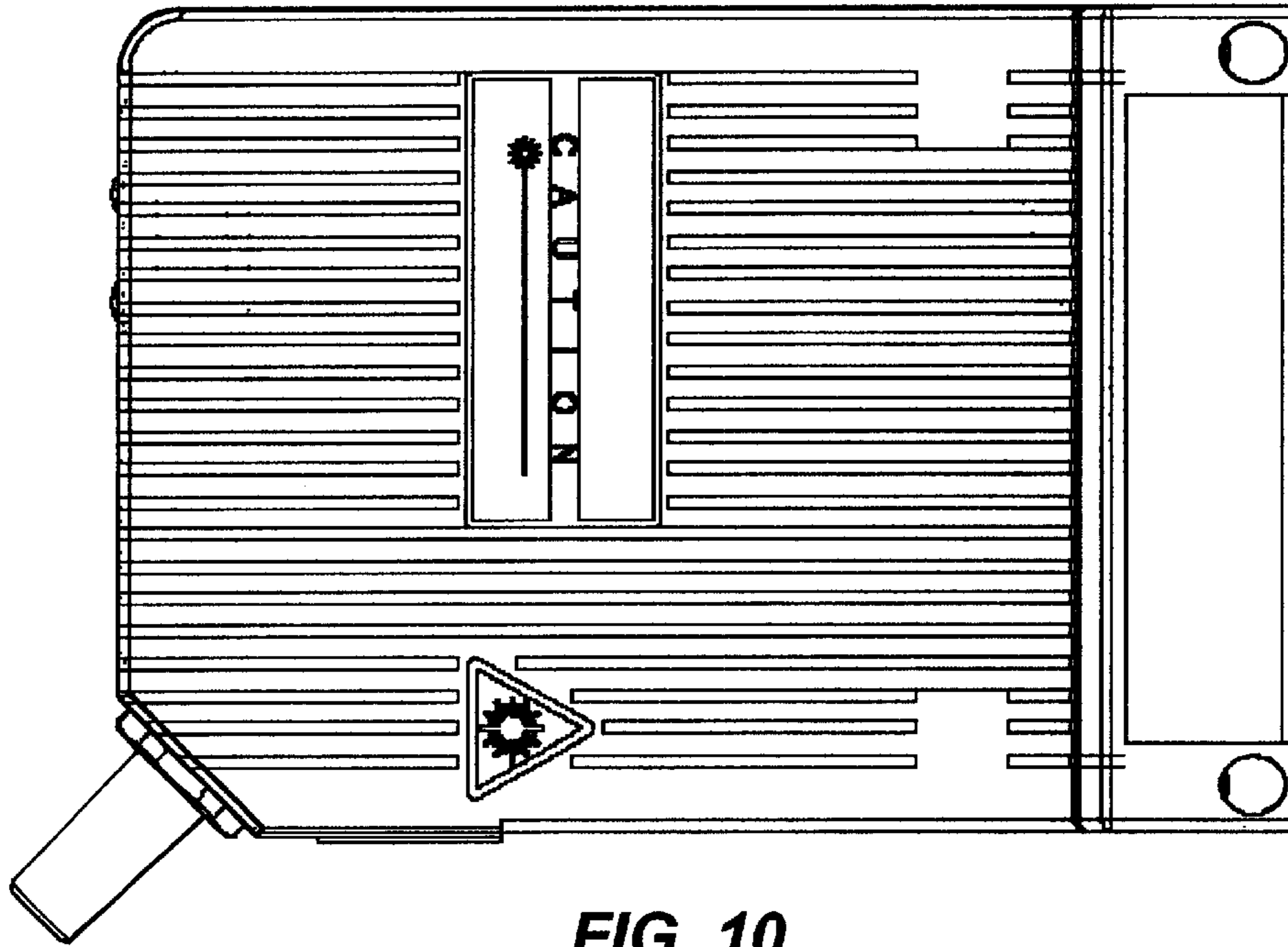


FIG. 10

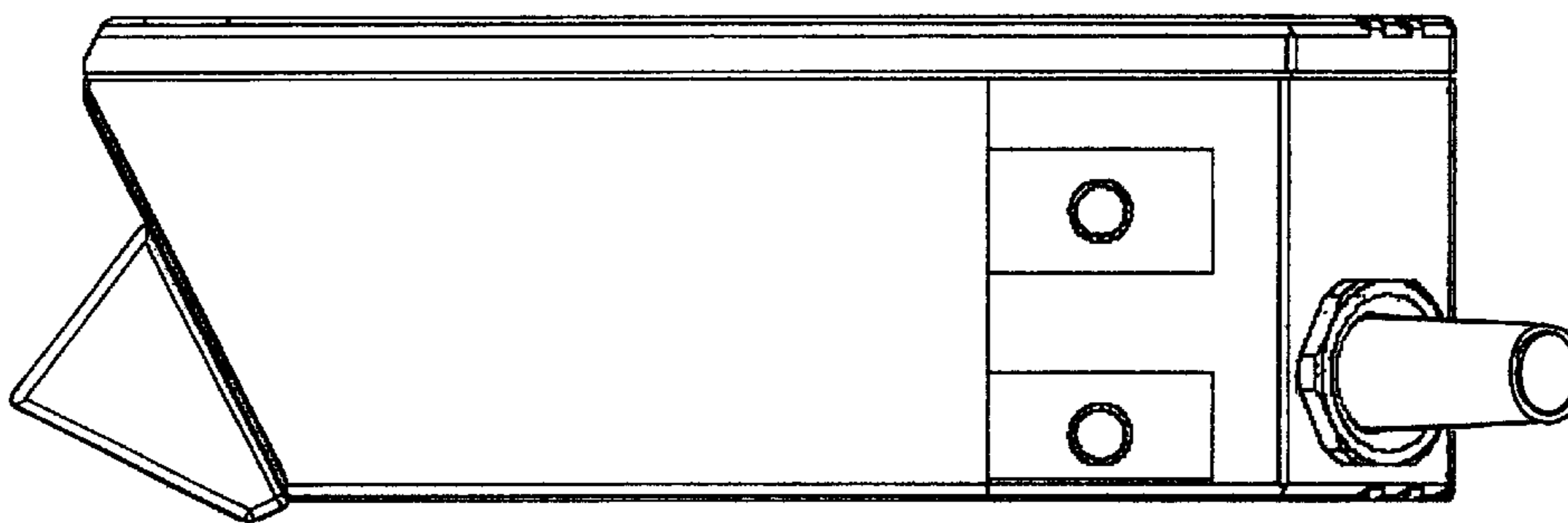


FIG. 11

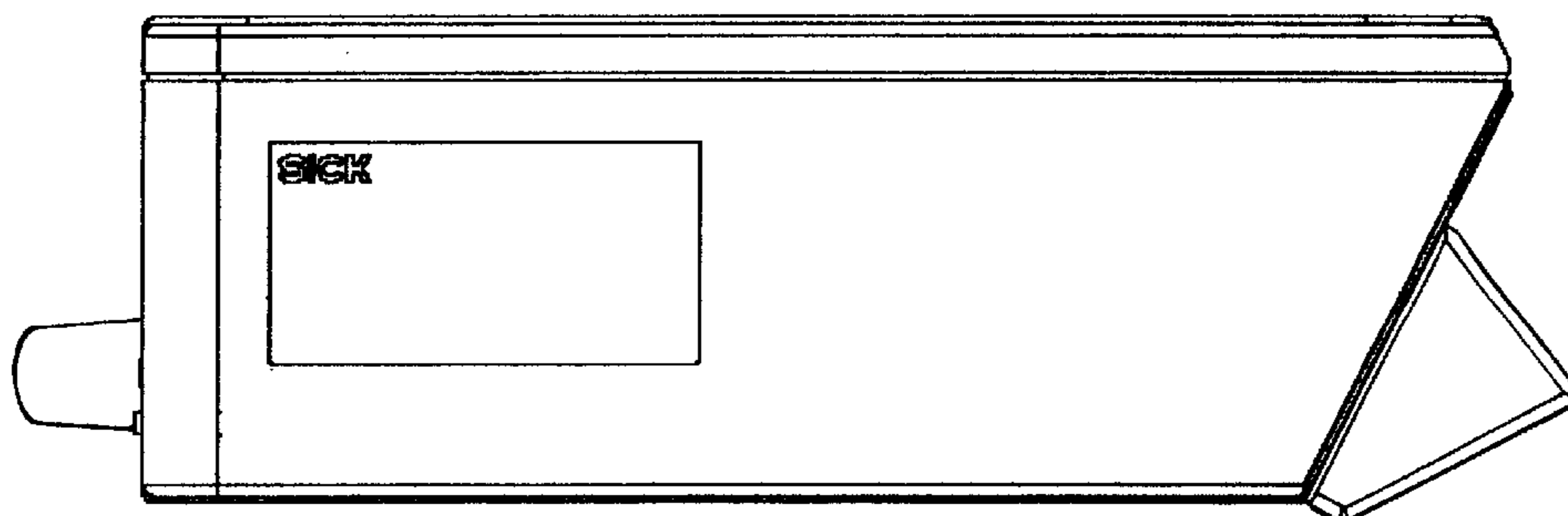


FIG. 12

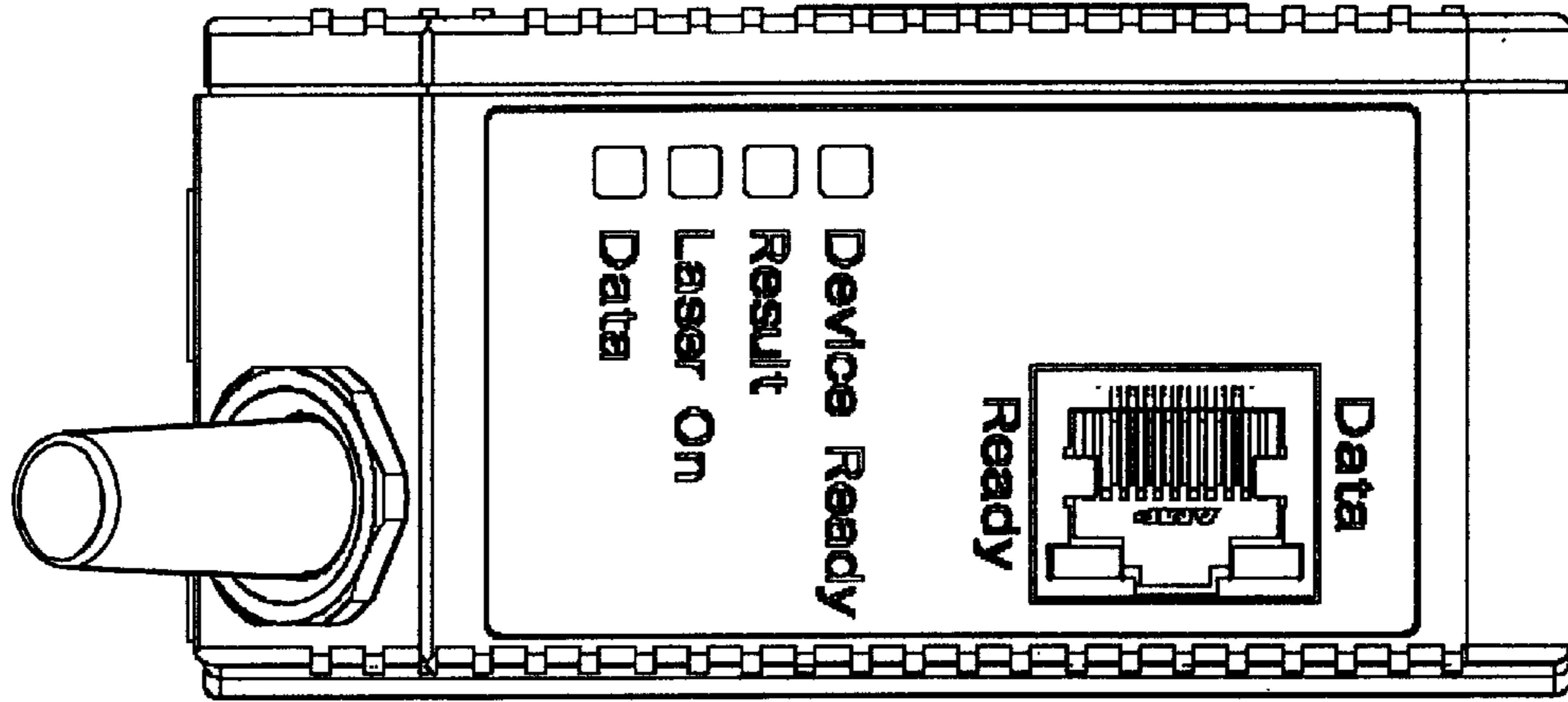


FIG. 13

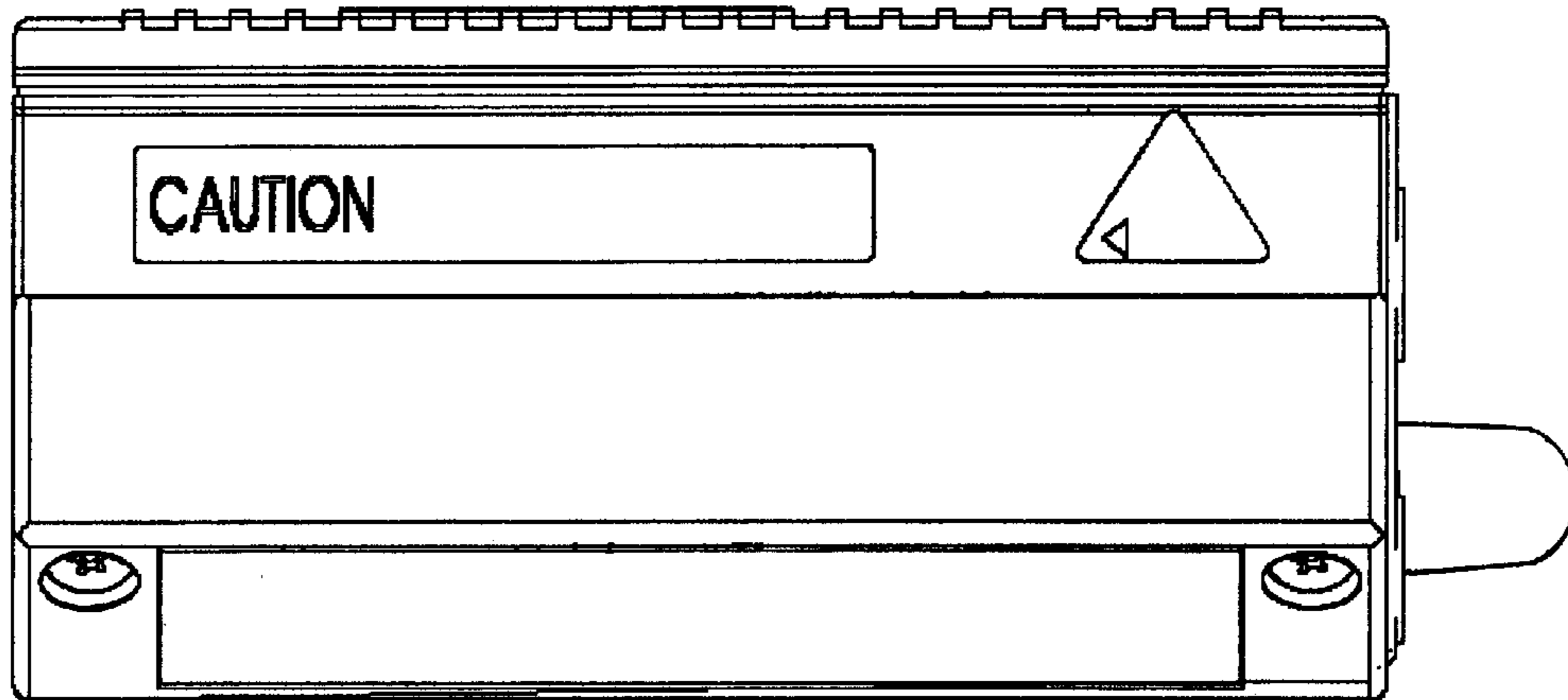


FIG. 14