



US00D512423S

(12) **United States Design Patent** (10) **Patent No.:** **US D512,423 S**
Tanimura et al. (45) **Date of Patent:** **** Dec. 6, 2005**

(54) **LCD MONITOR**

D469,432 S 1/2003 Tsuji
D471,549 S 3/2003 Tsuji

(75) Inventors: **Yoichi Tanimura**, Nara-ken (JP);
Chieko Yamashiro, Osaka-fu (JP)

OTHER PUBLICATIONS

(73) Assignee: **Sharp Kabushiki Kaisha**, Osaka (JP)

U.S. Appl. No. 29/187,973, filed Aug. 2003, Kita.
U.S. Appl. No. 29/193,998, filed Nov. 2003, Kita.
U.S. Appl. No. 29/194,701, filed Dec. 2003, Kita.
U.S. Appl. No. 29/205,105, filed May 2004, Yamashiro.
U.S. Appl. No. 29/205,103, filed May 2004, Yamashiro et al.

(**) Term: **14 Years**

* cited by examiner

(21) Appl. No.: **29/209,805**

(22) Filed: **Jul. 22, 2004**

(30) **Foreign Application Priority Data**

Jan. 22, 2004 (JP) 2004-001388

Primary Examiner—Freda S. Nunn

(74) *Attorney, Agent, or Firm*—Nixon & Vanderhye

(51) **LOC (8) Cl.** **14-02**

(52) **U.S. Cl.** **D14/371**

(58) **Field of Search** D14/371-376,
D14/125-129; 345/104, 156, 168, 169,
173, 87; 348/180, 184, 325, 739; 248/917-924,
123.11; 341/12; 349/1, 2, 11, 62

(57) **CLAIM**

The ornamental design for an “LCD monitor,” as shown and described.

(56) **References Cited**

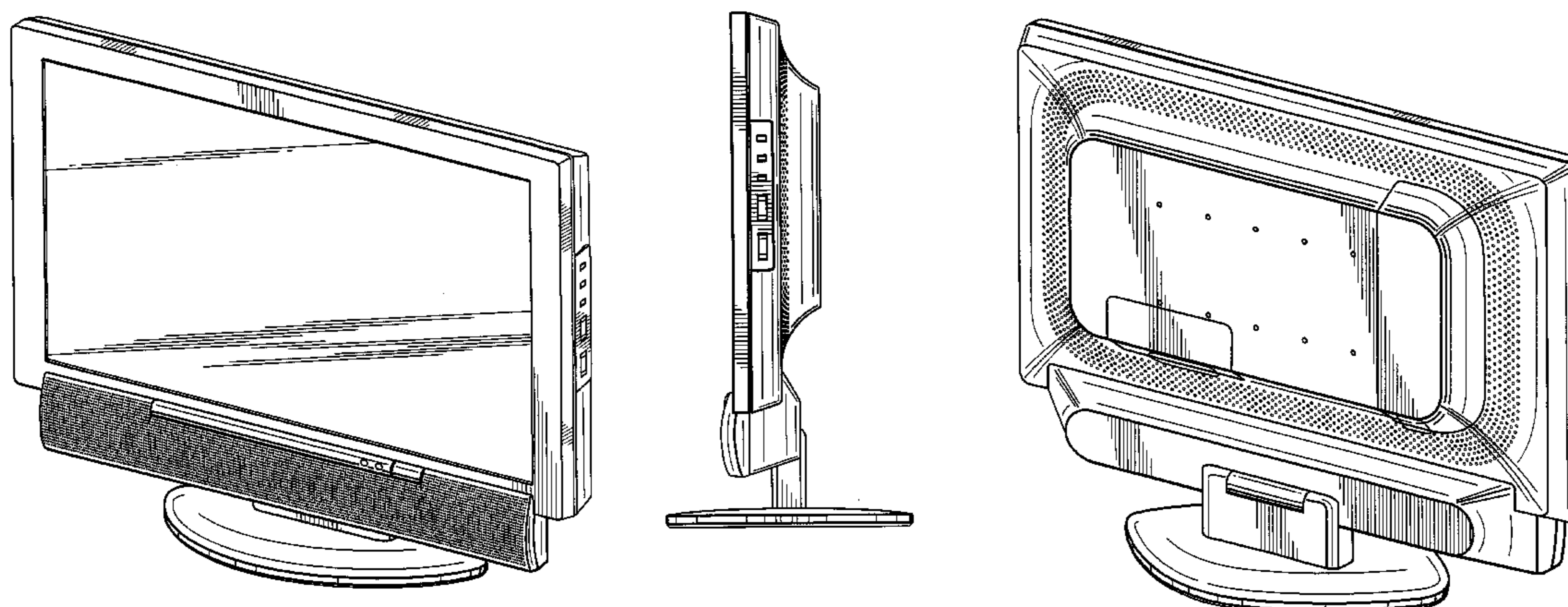
U.S. PATENT DOCUMENTS

D354,952 S * 1/1995 Rodd D14/374
D376,588 S * 12/1996 Shinano D14/374
D427,169 S 6/2000 Saeki et al.
D439,224 S 3/2001 Kita
D453,748 S 2/2002 Kita
D456,370 S 4/2002 Kita
D462,353 S 9/2002 Kita

DESCRIPTION

FIG. 1 is a top front and right side perspective view of an LCD monitor according to our design;
FIG. 2 is a front elevational view thereof;
FIG. 3 is a rear elevational view thereof;
FIG. 4 is a top plan view thereof;
FIG. 5 is a bottom plan view thereof;
FIG. 6 is a right side elevational view thereof;
FIG. 7 is a left side elevational view thereof; and,
FIG. 8 is a top, rear and left side perspective view thereof.

1 Claim, 6 Drawing Sheets



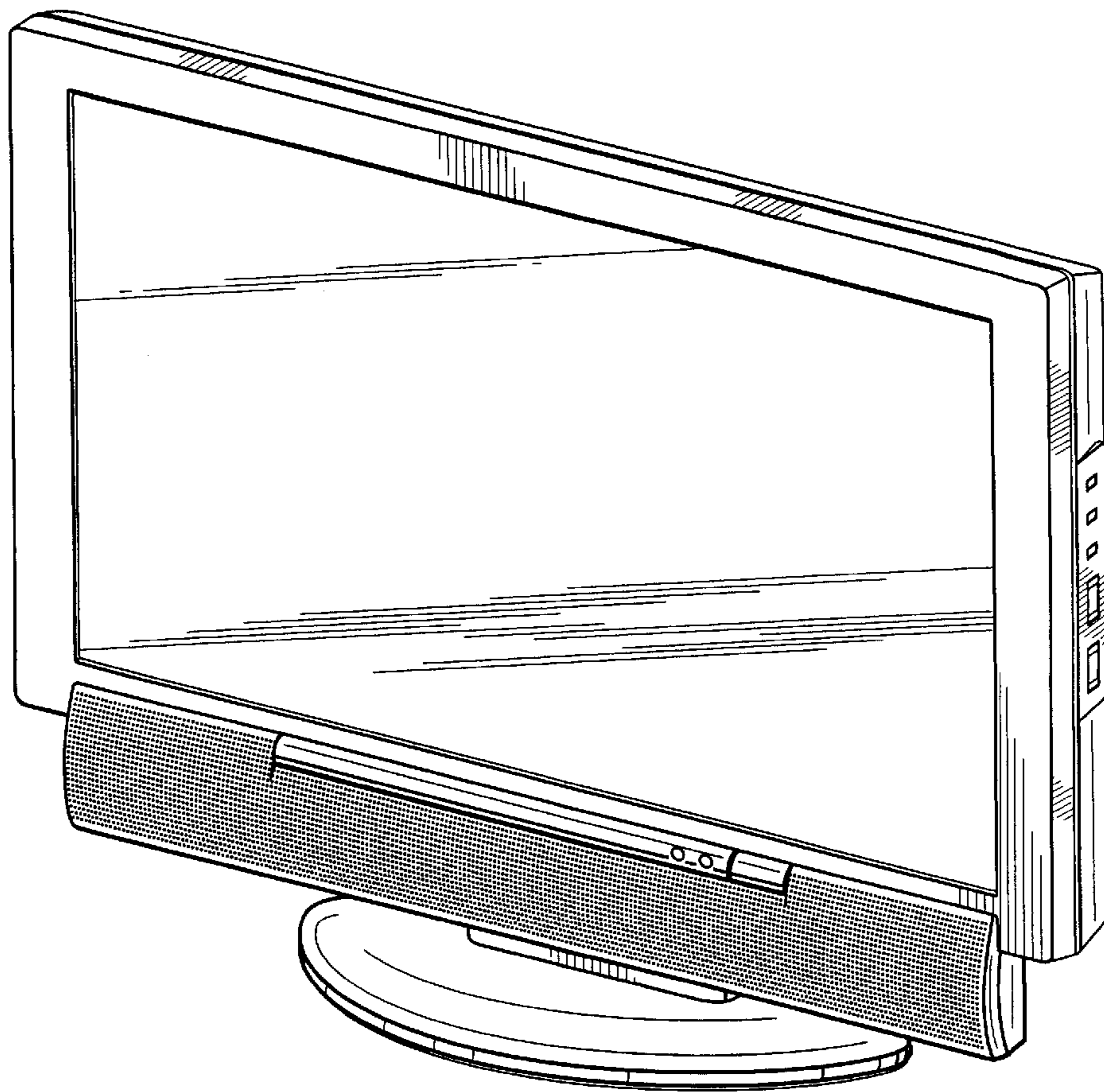


Fig. 1

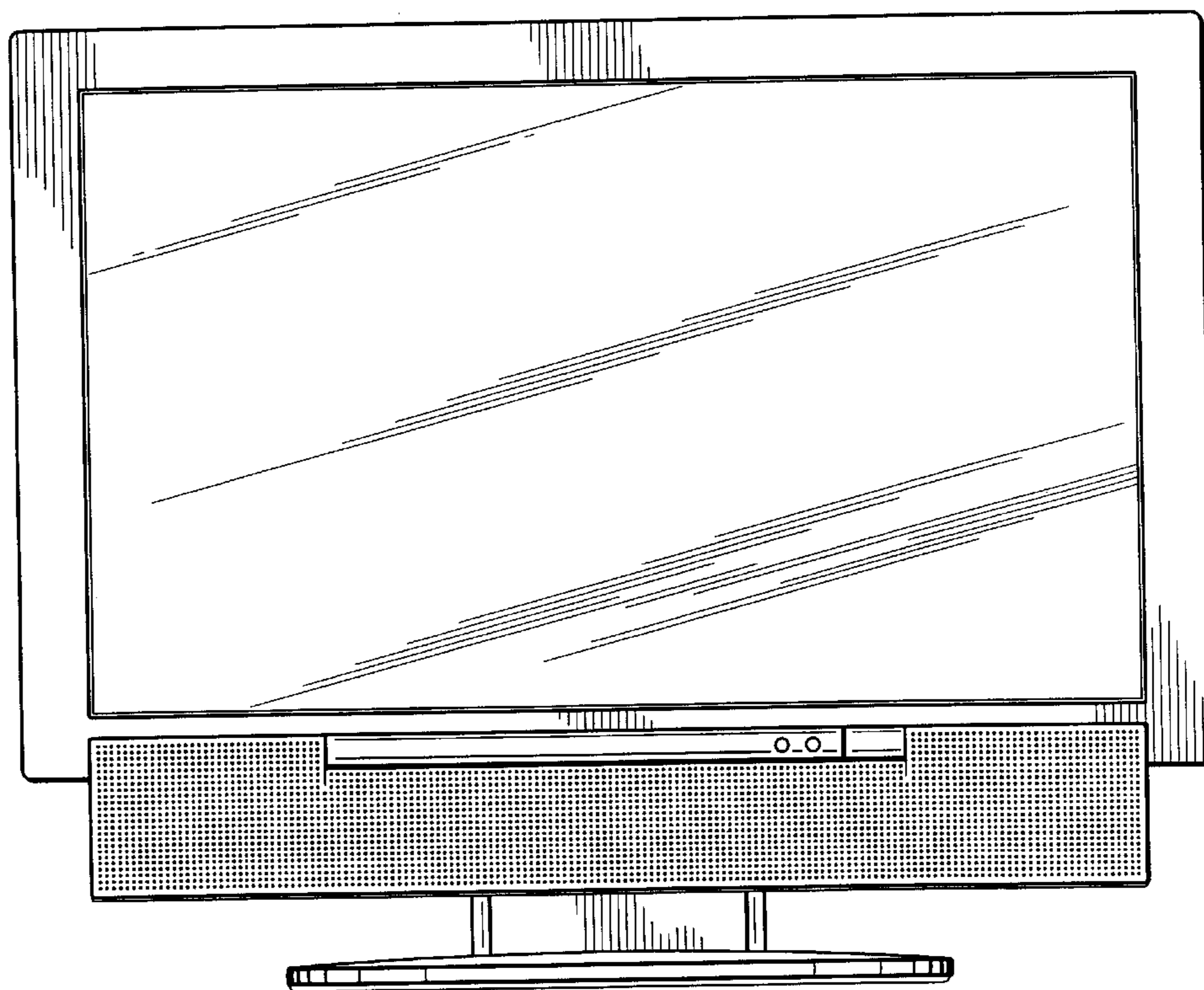


Fig. 2

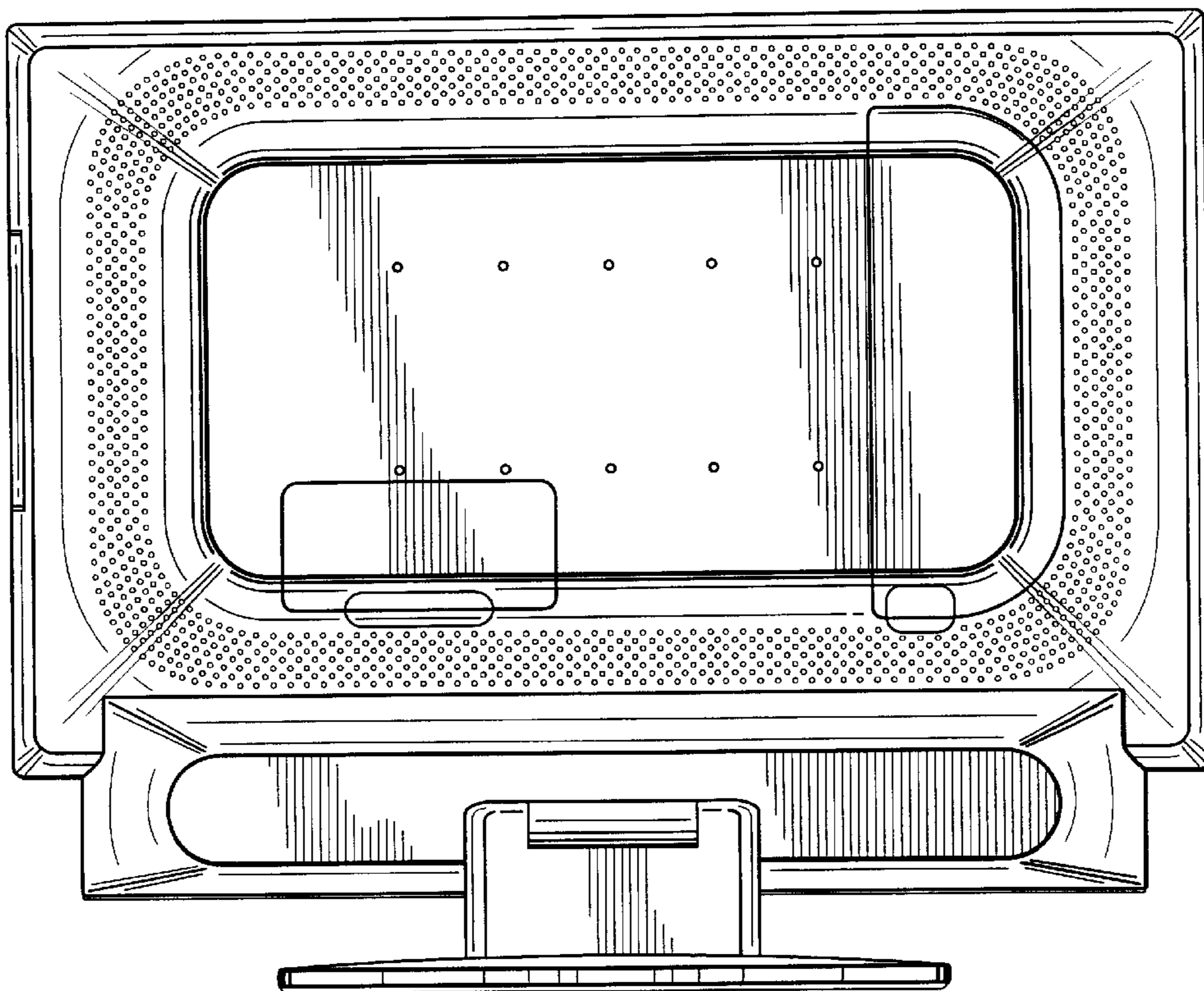


Fig. 3

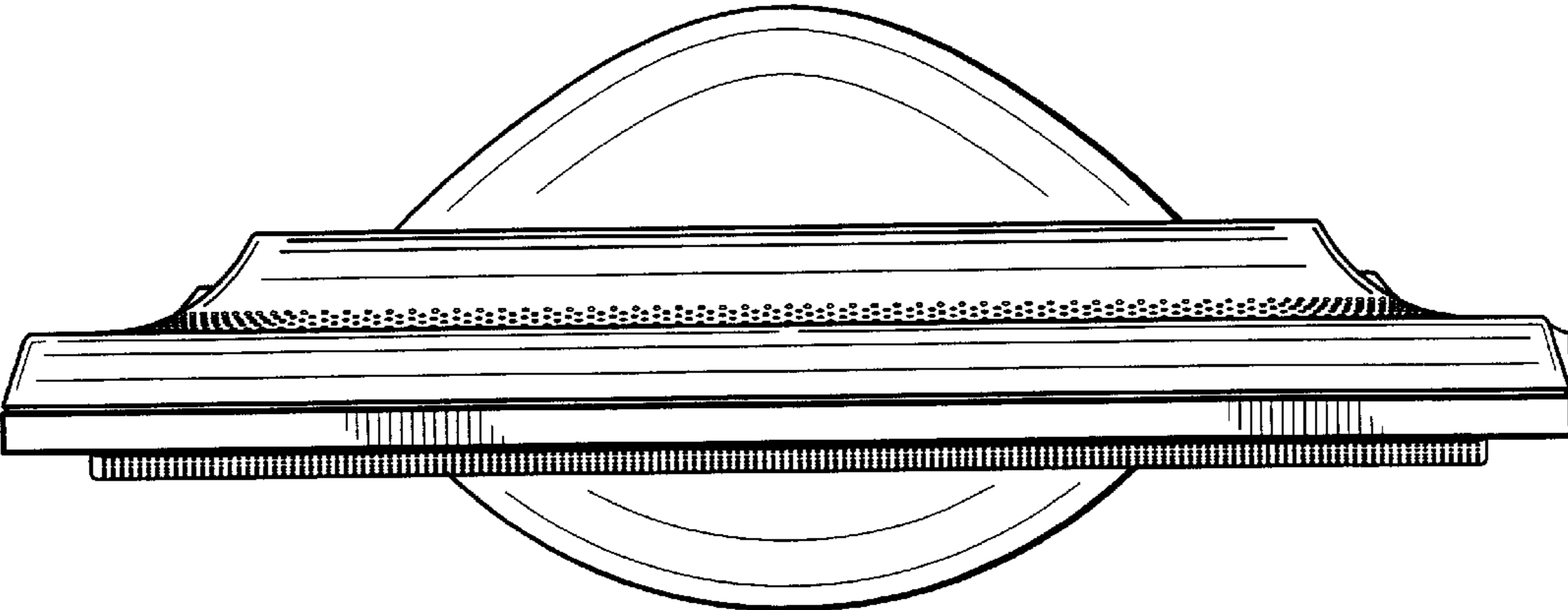


Fig. 4

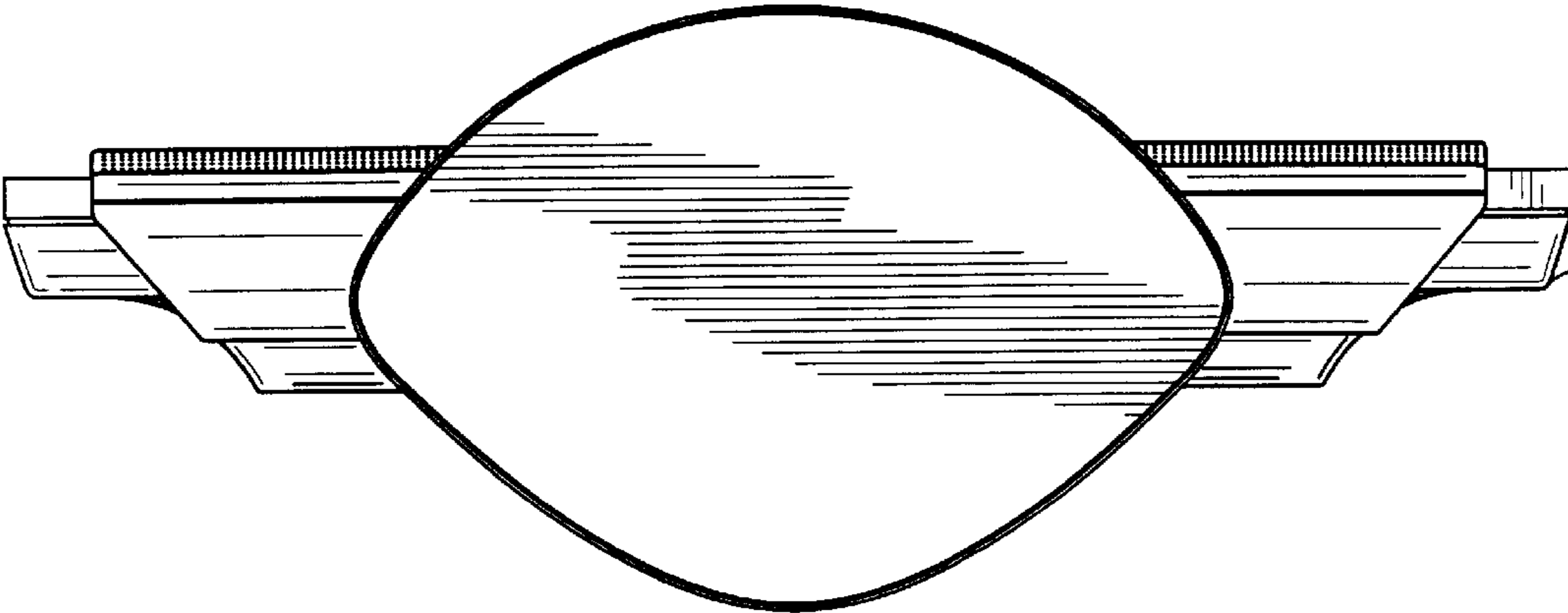


Fig. 5

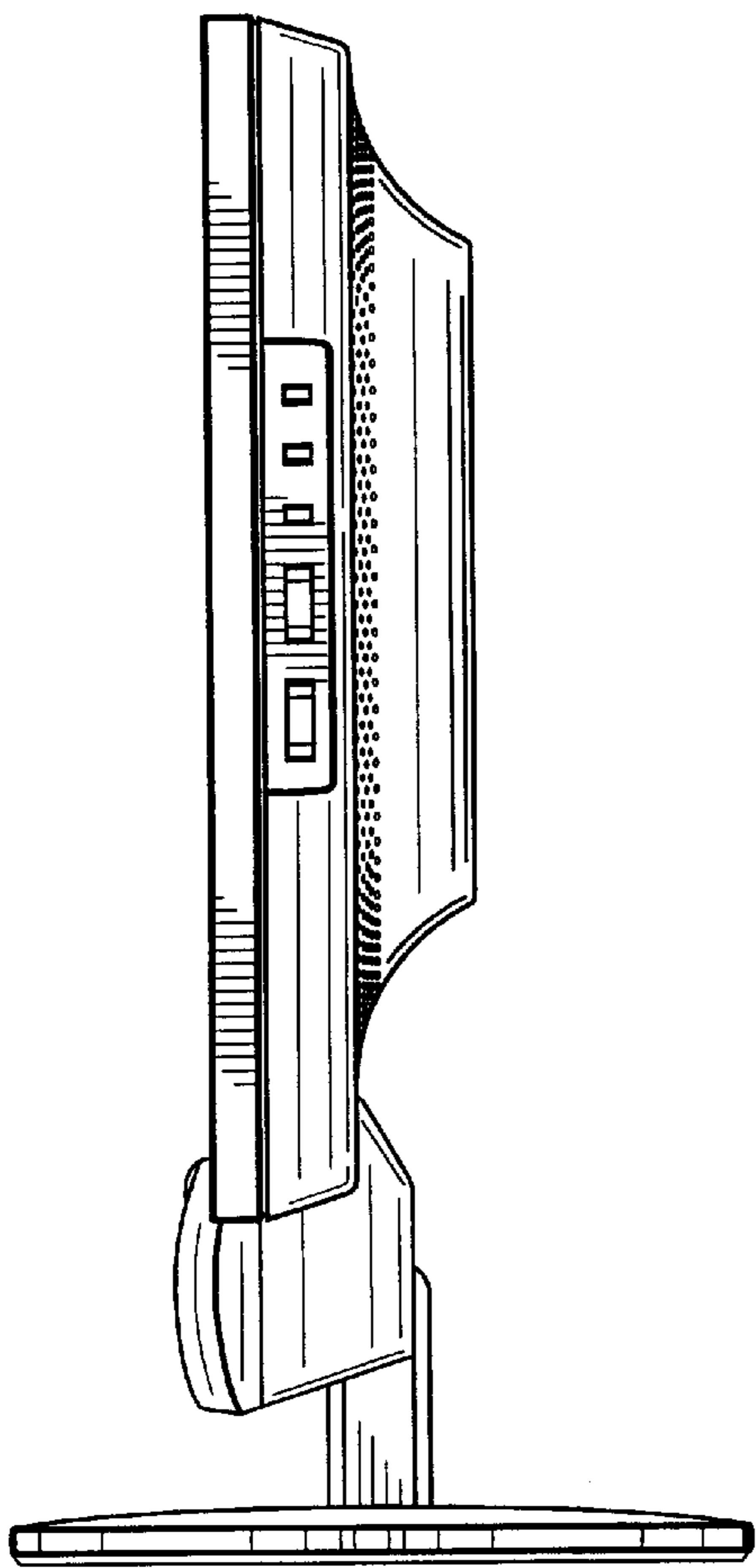


Fig. 6

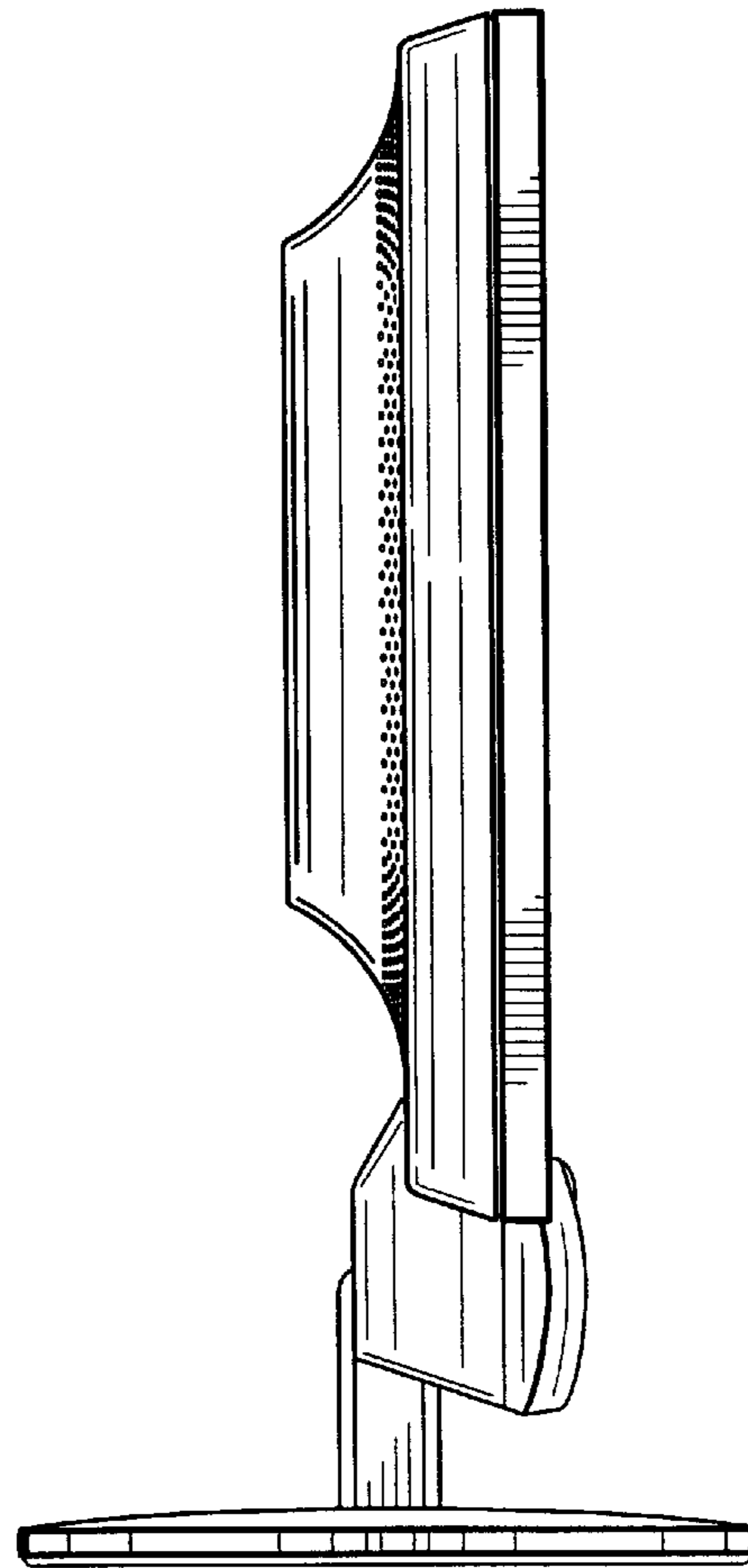


Fig. 7

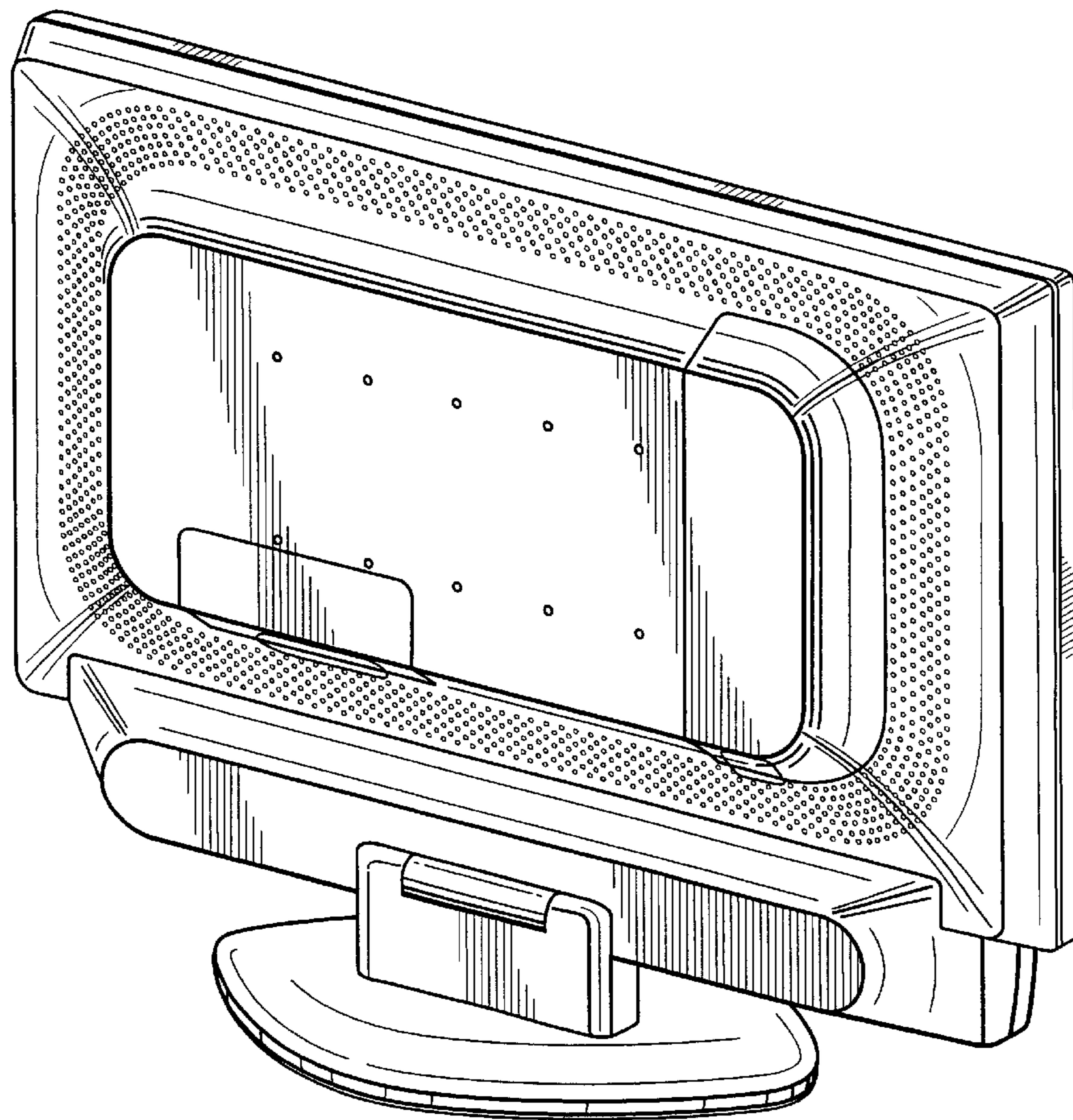


Fig. 8