



US00D512422S

(12) **United States Design Patent**  
Sato et al.

(10) **Patent No.:** US D512,422 S  
(45) **Date of Patent:** \*\* Dec. 6, 2005

(54) **FITTING MEMBER FOR A HARD DISK DRIVE**

(75) Inventors: **Toshikuni Sato, Ome (JP); Takahiro Asano, Ome (JP)**

(73) Assignee: **Kabushiki Kaisha Toshiba (JP)**

(\*\*) **Term: 14 Years**

(21) Appl. No.: **29/210,211**

(22) Filed: **Jul. 29, 2004**

(30) **Foreign Application Priority Data**

Apr. 20, 2004 (JP) ..... 2004-011918

(51) **LOC (8) Cl.** ..... **14-02**

(52) **U.S. Cl.** ..... **D14/363**

(58) **Field of Search** ..... D14/363, 367, D14/432, 474, 479, 483, 353; 248/632-634, 618, 636, 638; 720/600, 616, 650-652, 655; 360/96.5, 97.01-97.03, 77.02; 361/685-686, 818, 725, 740, 741, 796, 816, 683, 727; 439/483, 484; 174/35 R, 35 GC, 52.1; 16/260; 369/78, 79; 312/223.2; 206/701

(56) **References Cited**

**U.S. PATENT DOCUMENTS**

4,568,988 A *	2/1986	McGinlay et al. ....	360/77.02
5,004,207 A *	4/1991	Ishikawa et al. ....	248/632
5,029,026 A *	7/1991	Stefansky et al. ....	360/97.02
5,149,048 A *	9/1992	Morehouse et al. ....	248/632
5,187,621 A *	2/1993	Tacklind ..... ..	360/97.02
5,293,282 A *	3/1994	Squires et al. ....	360/77.08
5,359,587 A *	10/1994	Uehara ..... ..	720/600
5,557,499 A *	9/1996	Reiter et al. ....	361/685
5,666,239 A *	9/1997	Pottebaum ..... ..	360/97.03
5,673,158 A *	9/1997	Ichimura ..... ..	360/97.01

5,703,734 A *	12/1997	Berberich et al. ....	360/97.02
5,947,572 A *	9/1999	Chang ..... ..	312/332.1
5,995,365 A *	11/1999	Broder et al. ....	361/685
6,351,344 B1 *	2/2002	Krum et al. ....	360/97.01
6,560,063 B1 *	5/2003	Keffeler et al. ....	360/97.01
D487,459 S	3/2004	Stone et al. ....	
6,751,092 B1 *	6/2004	Ohnishi et al. ....	361/685
6,839,228 B2 *	1/2005	Choi ..... ..	361/685
2001/0012175 A1 *	8/2001	Williams et al. ....	360/97.01
2002/0044416 A1 *	4/2002	Harmon et al. ....	361/685
2002/0054453 A1 *	5/2002	Alan ..... ..	360/97.01

\* cited by examiner

*Primary Examiner*—Alan P. Douglas  
*Assistant Examiner*—Susan Moon Lee

(74) *Attorney, Agent, or Firm*—Banner & Witcoff, Ltd.

(57) **CLAIM**

The ornamental design for a fitting member for a hard disk drive, as shown and described.

**DESCRIPTION**

FIG. 1 is a front, bottom and right side perspective view of a fitting member for a hard disk drive, showing our new design;

FIG. 2 is a front elevational view thereof; a rear elevational view being identical thereof;

FIG. 3 is a top plan view thereof;

FIG. 4 is a bottom plan view thereof;

FIG. 5 is a right side elevational view thereof; a left side elevational view being a mirror image thereof; and,

FIG. 6 is a perspective view showing a fitting member into which a hard disk drive is installed.

The broken line showing of a hard disk drive is for illustrative purposes only and forms no part of the claimed design.

**1 Claim, 3 Drawing Sheets**

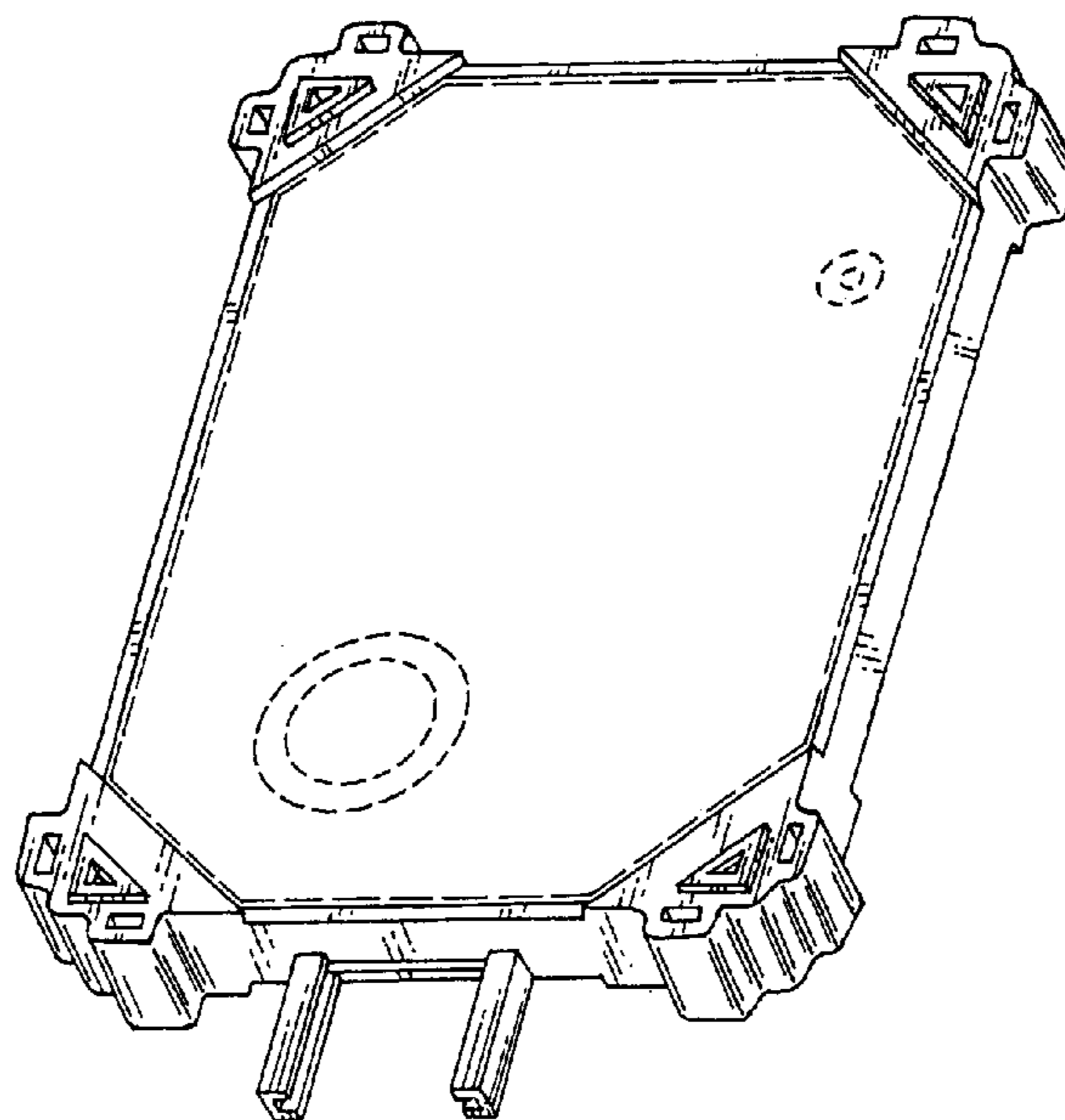
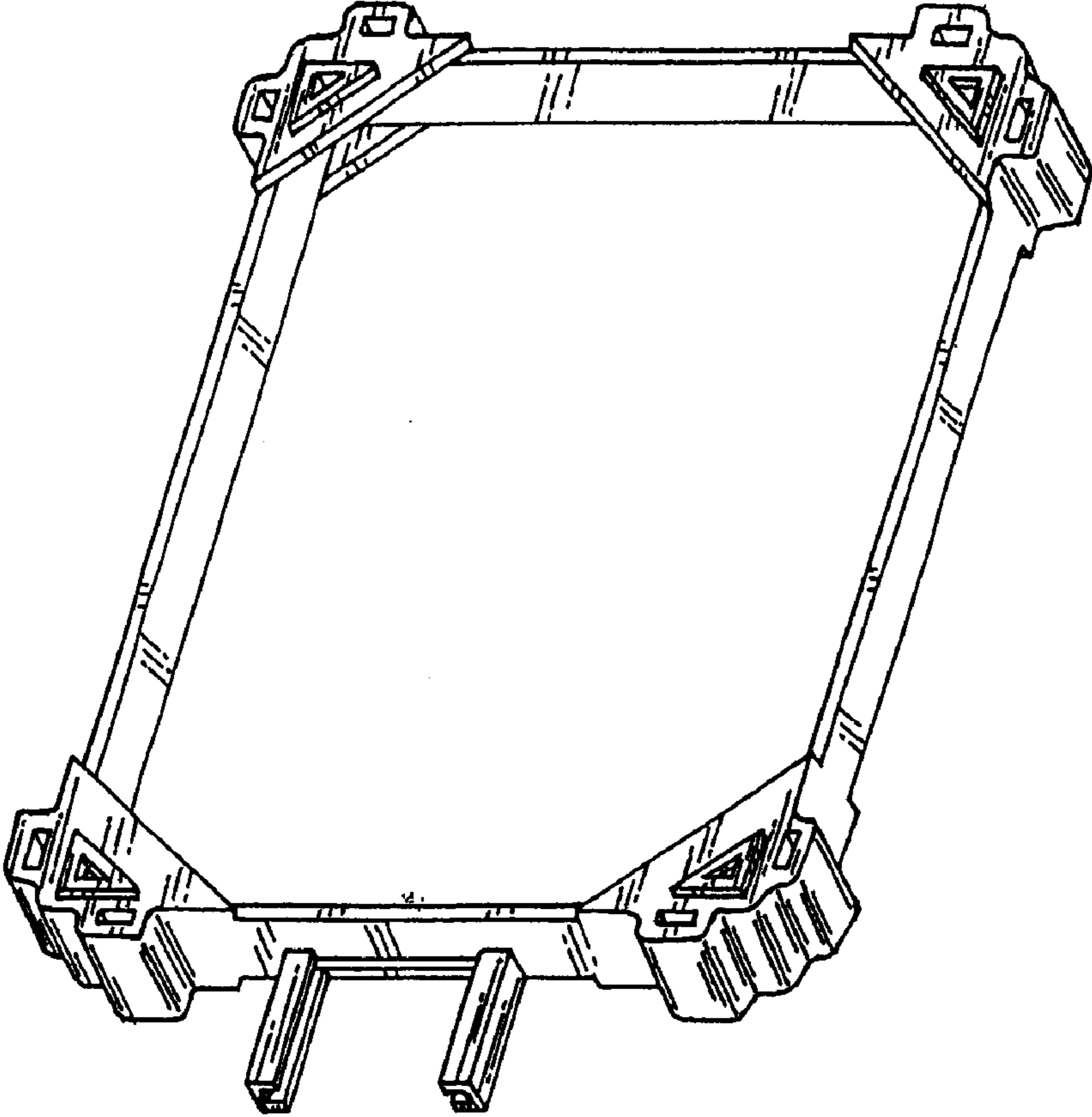
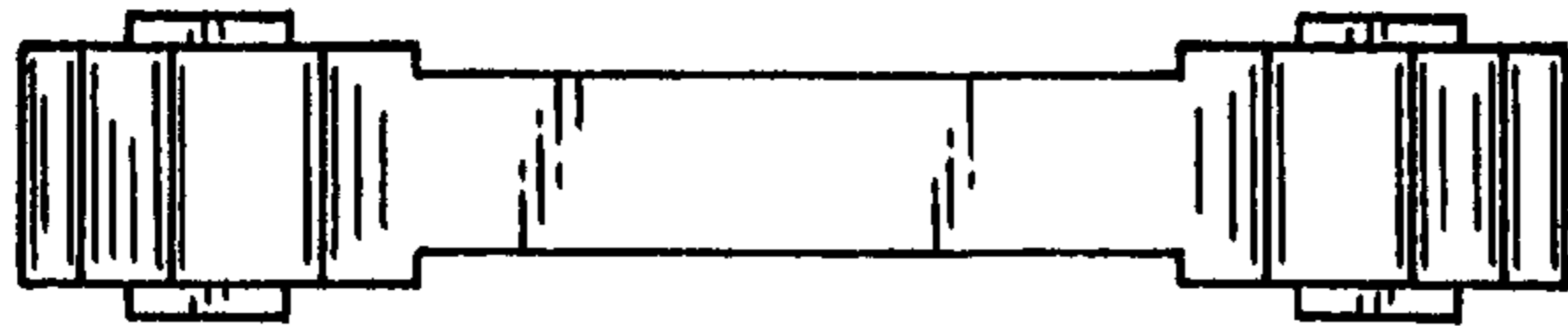


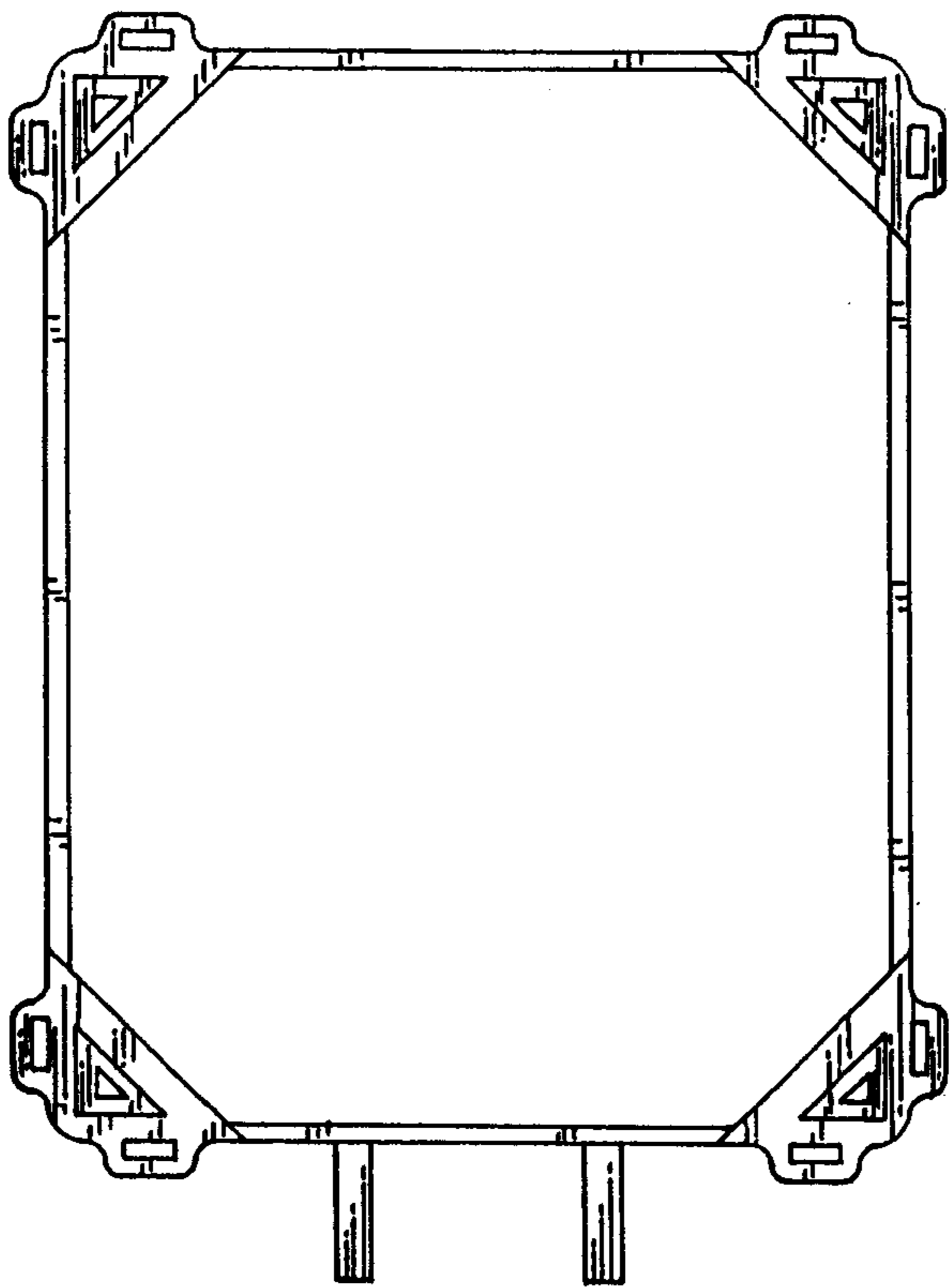
FIG. 1



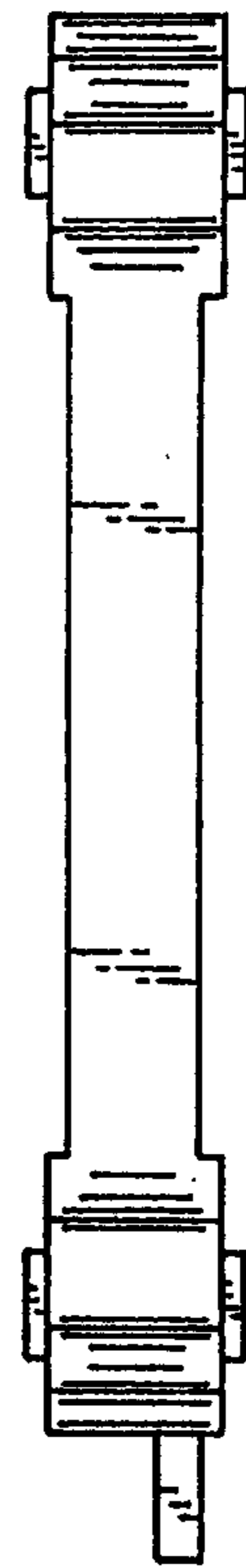
**FIG. 3**



**FIG. 2**



**FIG. 5**



**FIG. 4**

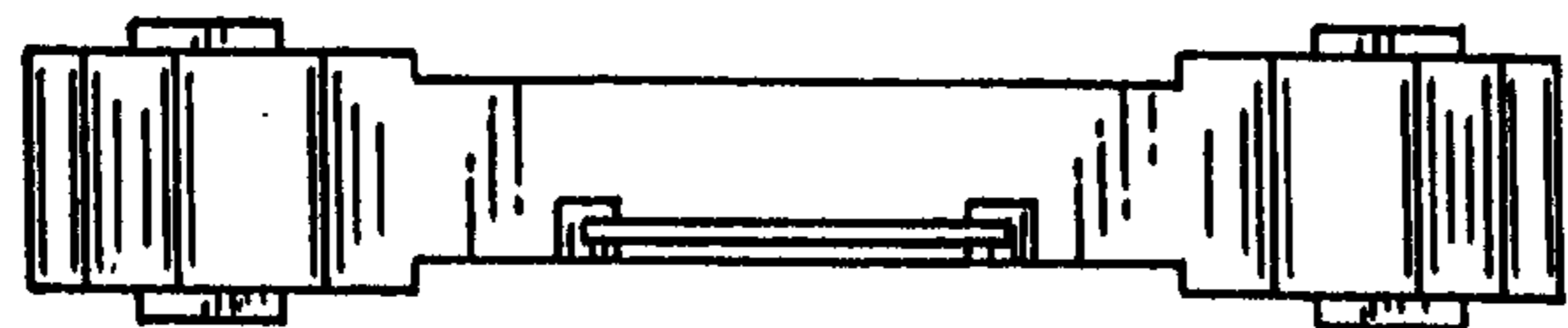


FIG. 6

