

US00D512421S

(12) **United States Design Patent**
Brown et al.

(10) **Patent No.:** **US D512,421 S**
(45) **Date of Patent:** **** Dec. 6, 2005**

(54) **HOUSING FOR A USER INTERFACE OF AN
IMAGE PROCESSING OFFICE MACHINE**

D463,421 S * 9/2002 Lanzaro et al. D14/341
D475,047 S * 5/2003 Choi et al. D14/346
D490,119 S * 5/2004 Griffin et al. D21/329

(75) Inventors: **Donald A. Brown**, Honeoye Falls, NY
(US); **James B. Smith**, Honeoye Falls,
NY (US); **Hidetoshi Kimura**,
Yokohama (JP); **Shu Watanabe**,
Yokohama (JP)

* cited by examiner

Primary Examiner—Freda S. Nunn
(74) *Attorney, Agent, or Firm*—Tallum I. Nguti

(73) Assignee: **Xerox Corporation**, Stamford, CT
(US)

(57) **CLAIM**

The ornamental design for a housing for a user interface of
an image processing office machine, as shown and
described.

(**) Term: **14 Years**

DESCRIPTION

(21) Appl. No.: **29/213,164**

FIG. 1 is a perspective view of a housing for a user interface
of an image processing office machine of the present inven-
tion;

(22) Filed: **Sep. 14, 2004**

(51) **LOC (8) Cl.** **14-02**

FIG. 2 is a front view thereof;

(52) **U.S. Cl.** **D14/341**

FIG. 3 is a right side view thereof;

(58) **Field of Search** D14/341-346;

FIG. 4 is a rear view thereof;

D18/1, 2, 7; 235/145 A, 145 R; 349/12;
341/22, 23; 345/156, 168, 169, 172, 173,
87; 361/680-686; D21/329; D6/466

FIG. 5 is a left side view thereof;

FIG. 6 is a top view thereof;

FIG. 7 is a bottom view thereof; and,

(56) **References Cited**

FIG. 8 is a perspective view thereof showing the design with
an image processing office machine in an operational state.

U.S. PATENT DOCUMENTS

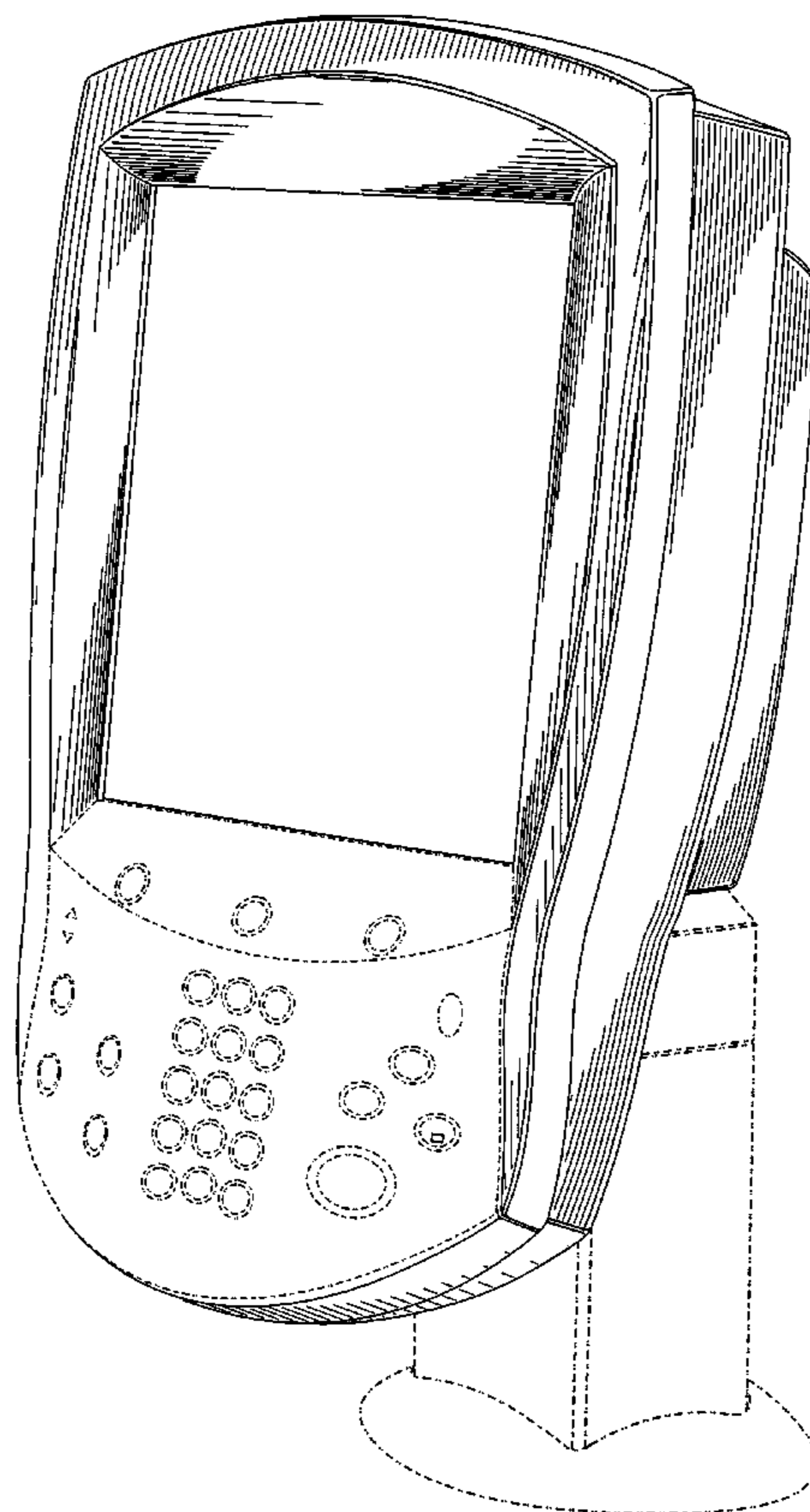
The broken line portions of FIGS. 1-8 are for illustrative
purposes only and do not form part of the claimed design.

D323,085 S * 1/1992 Konkel D6/466

D355,644 S * 2/1995 Risko D14/346

D461,803 S * 8/2002 Griffin et al. D14/346

1 Claim, 7 Drawing Sheets



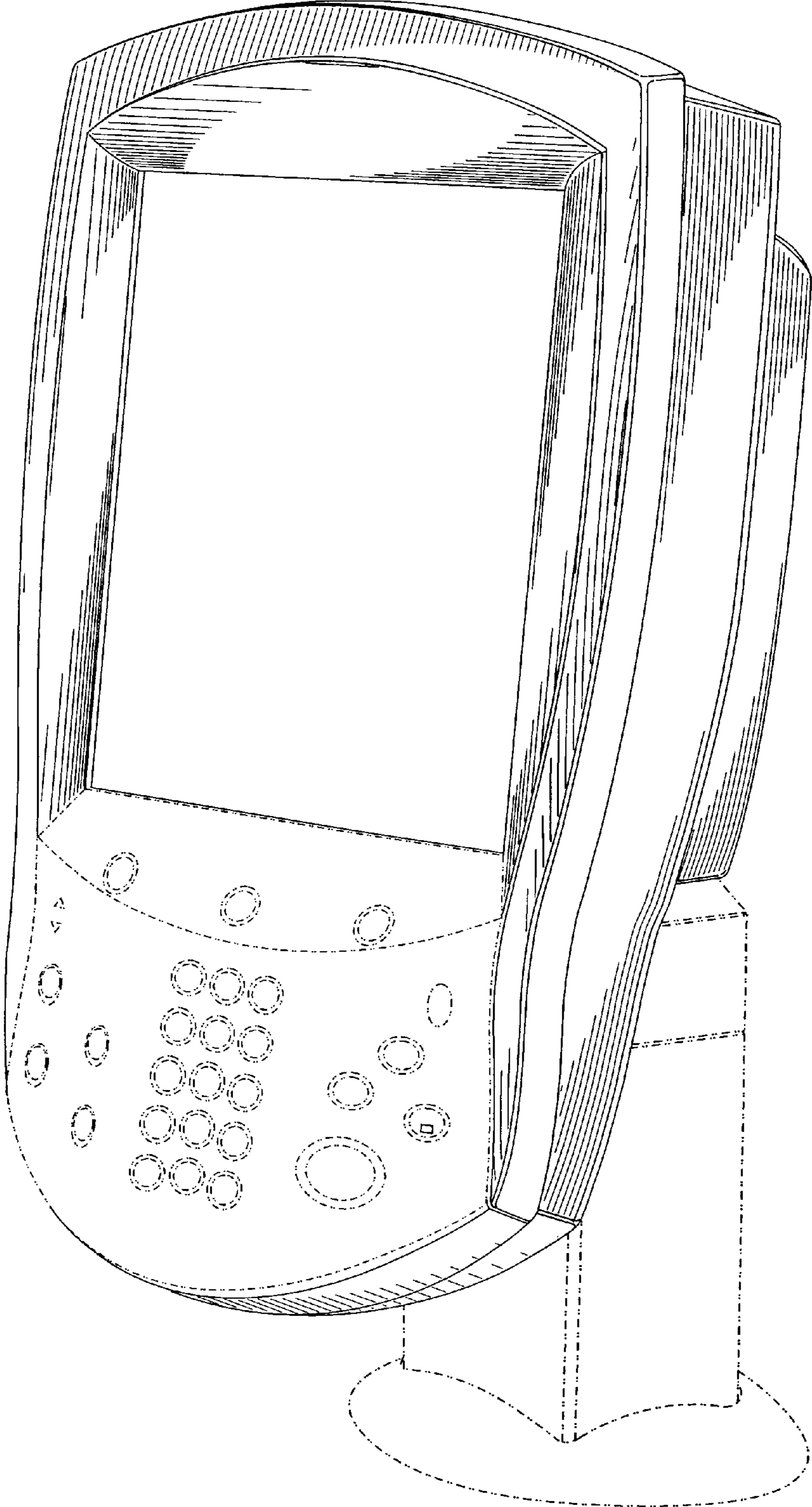


FIG. 1

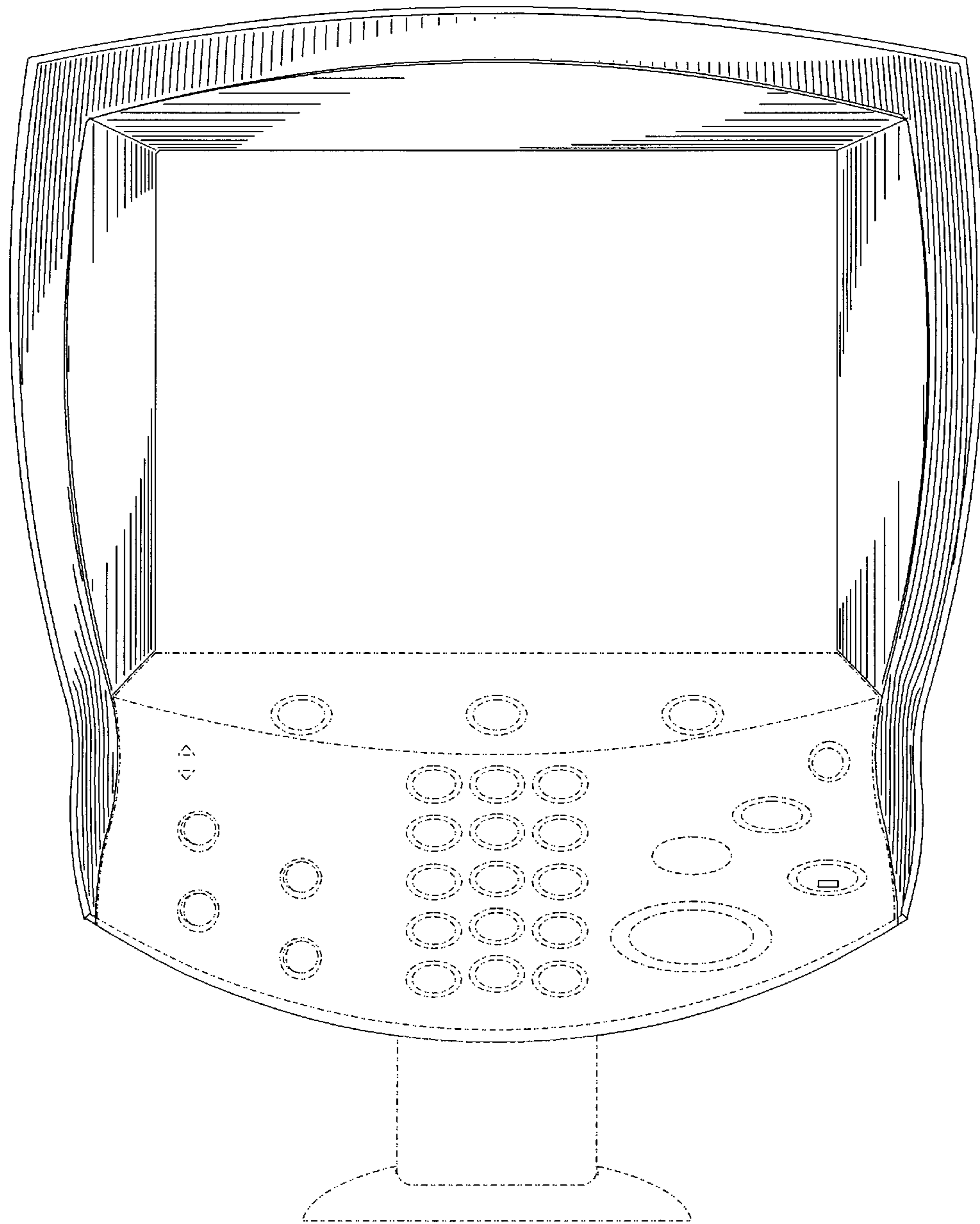


FIG. 2

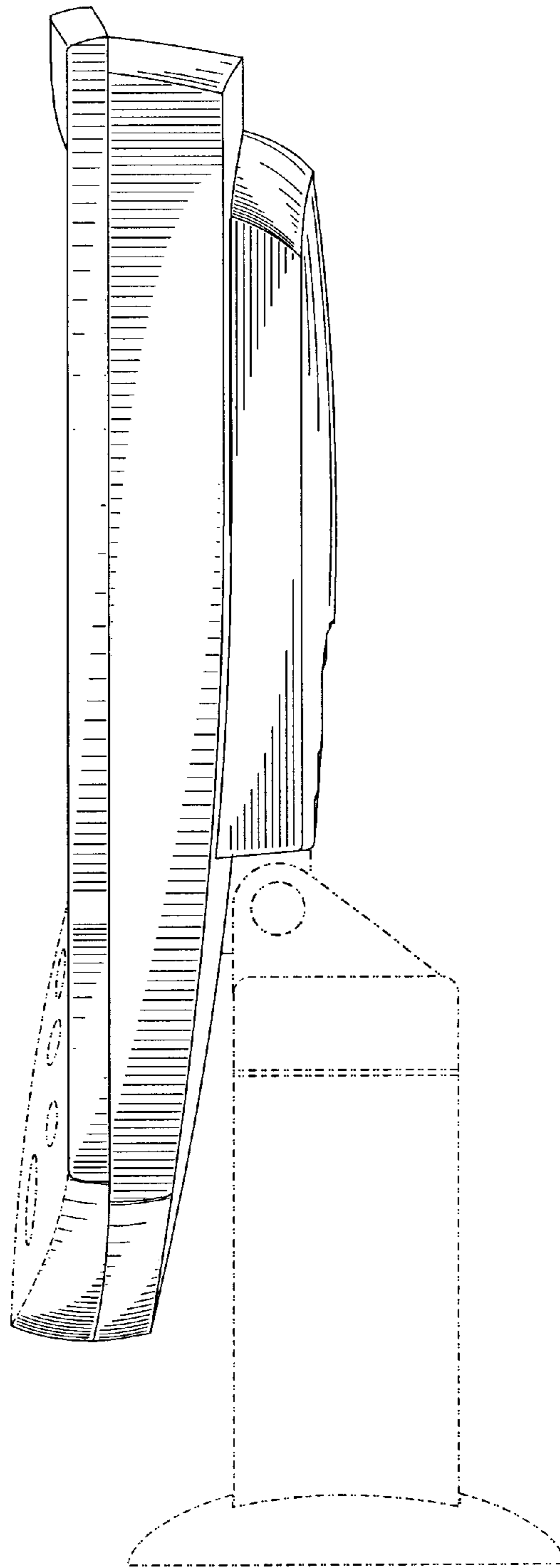


FIG. 3

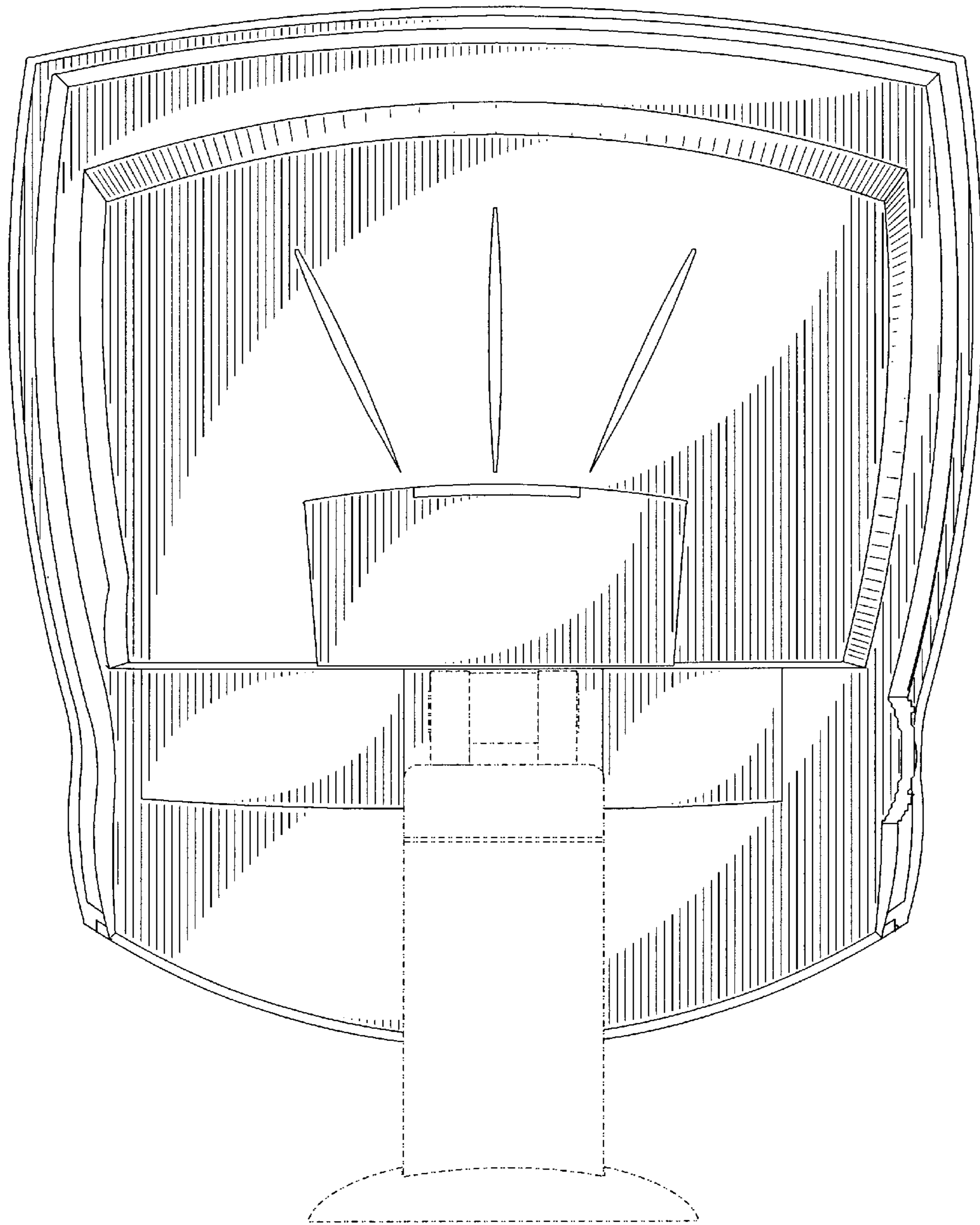


FIG. 4

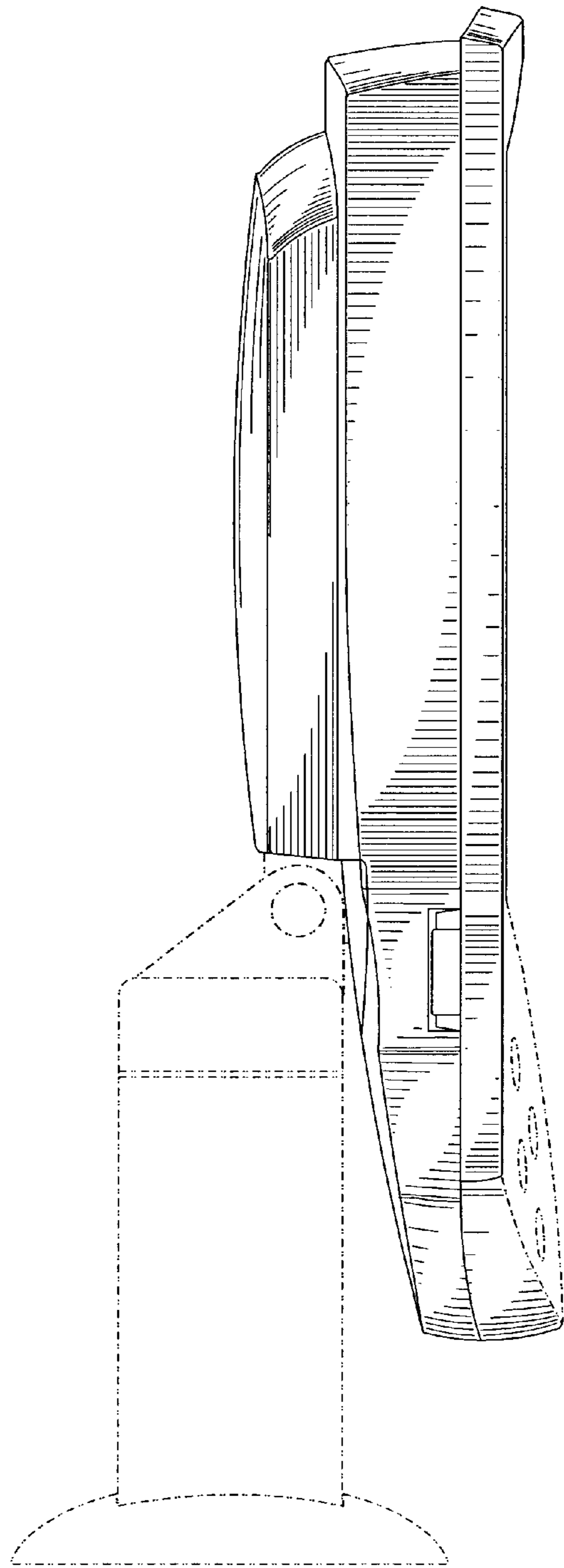


FIG. 5

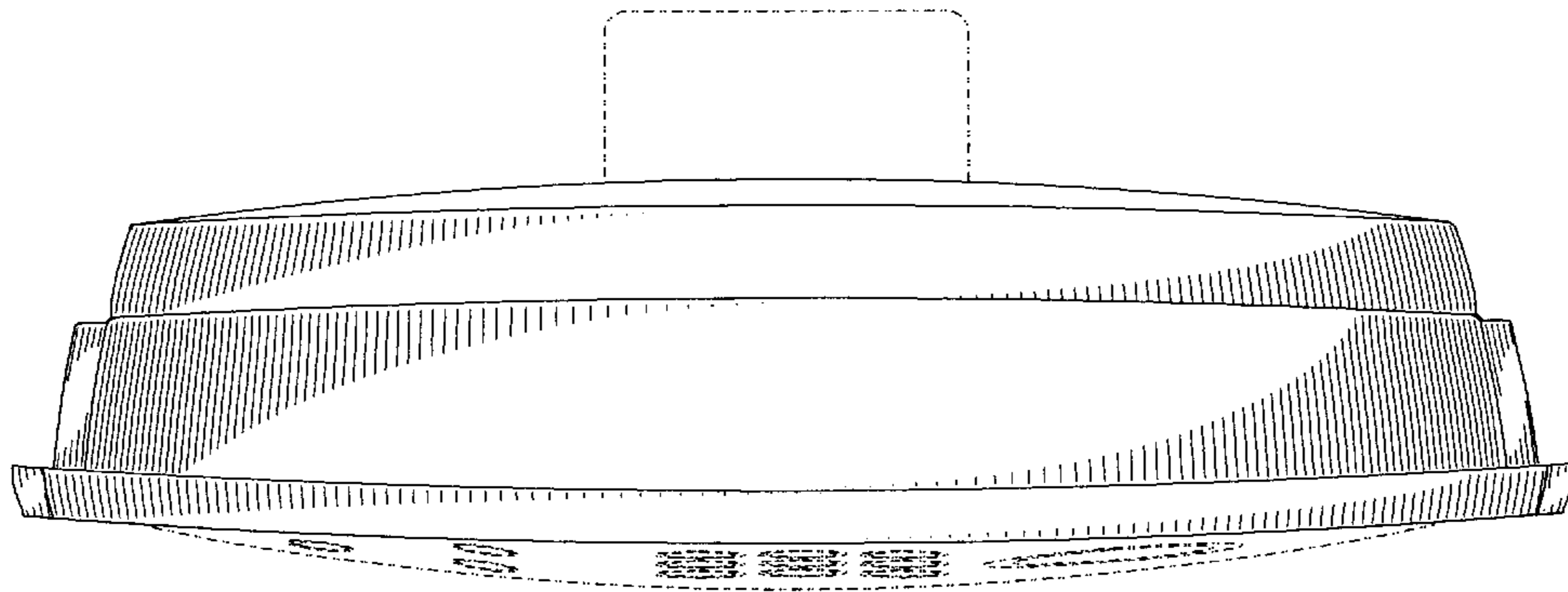


FIG. 6

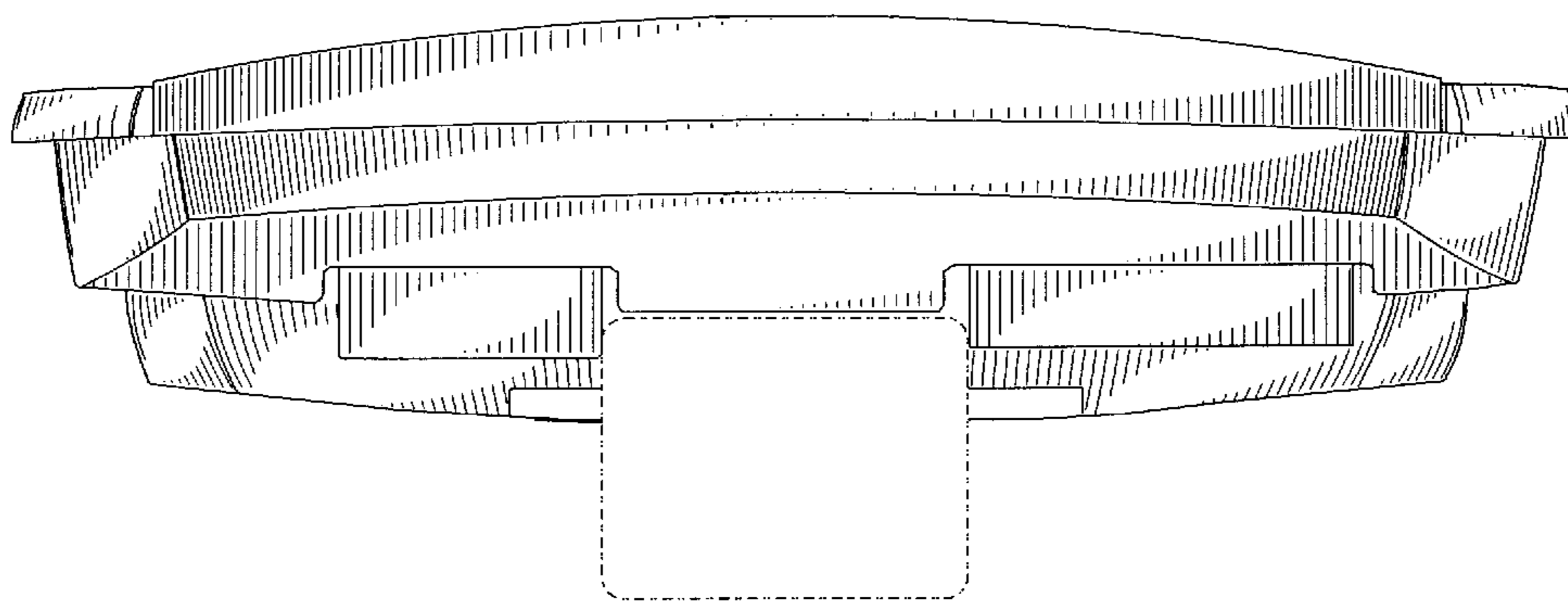


FIG. 7

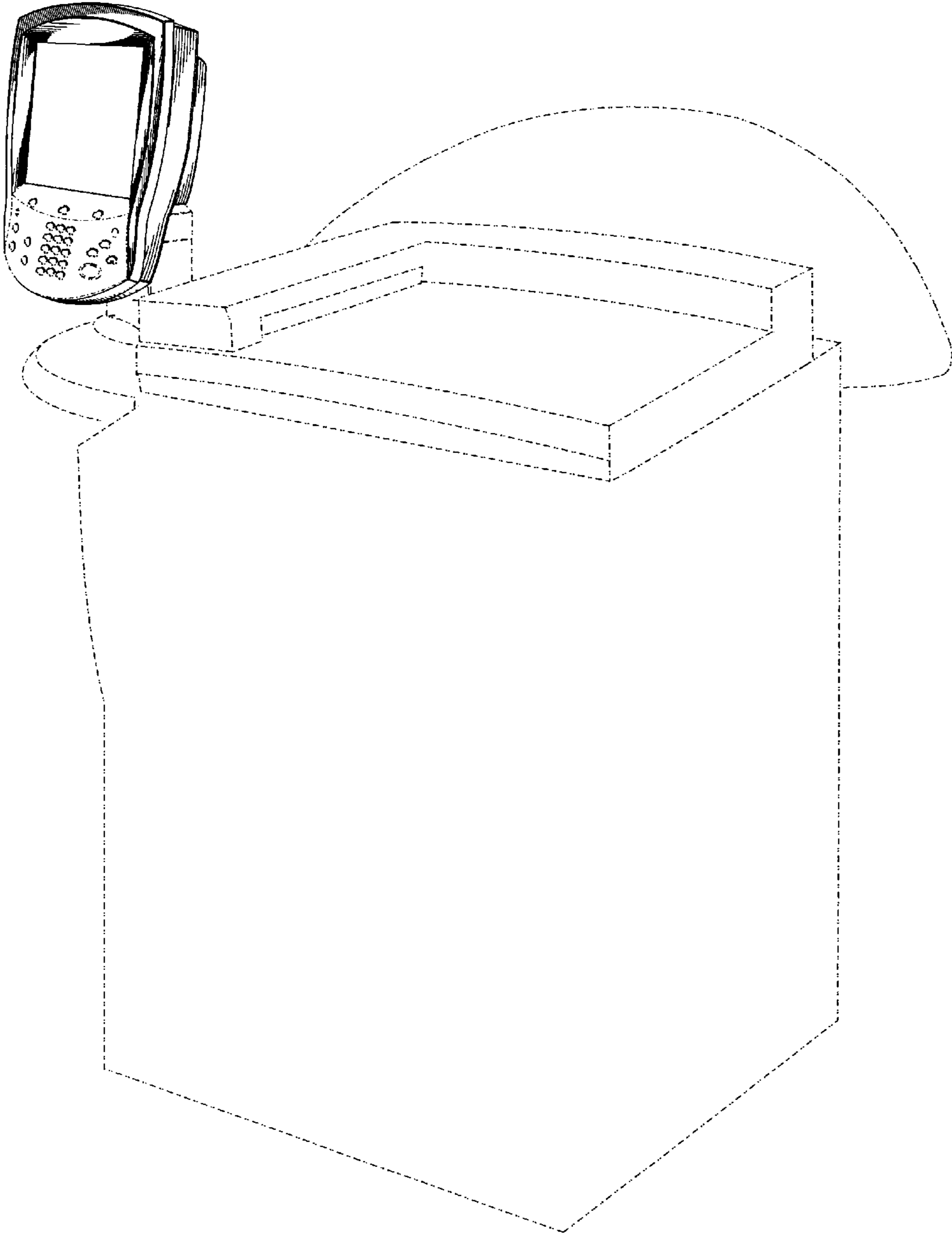


FIG. 8