



US00D512419S

(12) **United States Design Patent** (10) **Patent No.:** **US D512,419 S**  
**Juszkiewicz et al.** (45) **Date of Patent:** **\*\* Dec. 6, 2005**

(54) **FRONT PANEL FOR AN ELECTRONIC COMPONENT**  
 (75) Inventors: **Henry E. Juszkiewicz**, Nashville, TN (US); **Kris O. Carter**, Washington, DC (US); **Timothy M. Nugent**, Venice, CA (US)  
 (73) Assignee: **Gibson Guitar Corp.**, Nashville, TN (US)  
 (\*\*) Term: **14 Years**

D467,567 S \* 12/2002 Tsuge ..... D14/156  
 D473,538 S \* 4/2003 Powell et al. .... D14/188  
 D473,542 S \* 4/2003 Powell et al. .... D14/217  
 D473,854 S \* 4/2003 Powell et al. .... D14/188  
 D475,991 S \* 6/2003 Hisatsune ..... D14/211  
 D479,229 S \* 9/2003 Ashcraft ..... D14/257  
 D479,524 S \* 9/2003 Nara ..... D14/258  
 D480,693 S \* 10/2003 Johansson et al. .... D14/136  
 D482,695 S \* 11/2003 Storti et al. .... D14/444  
 D484,474 S \* 12/2003 Johansson et al. .... D14/136  
 D492,268 S \* 6/2004 Mathews Reynolds et al. .. D14/125  
 D494,172 S \* 8/2004 Asai ..... D14/368

(21) Appl. No.: **29/208,423**  
 (22) Filed: **Jun. 28, 2004**  
 (51) **LOC (8) Cl.** ..... **14-01**  
 (52) **U.S. Cl.** ..... **D14/257; D14/188**  
 (58) **Field of Search** ..... D14/445, 260.1, D14/258, 257, 224, 217, 198, 197, 196, 195, 194, 193, 192, 188, 168, 167, 156, 136, 191, 157; 349/159, 10, 460

**OTHER PUBLICATIONS**

Exhibit A: Teac 1250.  
 Exhibit B: Teac 2410.  
 Exhibit C: Niles SI2125.  
 Exhibit D: Replay TV.  
 Exhibit E: Sony ES STR-DA3000ES.  
 Exhibit F: Niles Audio SI-1230.  
 Exhibit G: Onkyo M-282.

\* cited by examiner

(56) **References Cited**  
**U.S. PATENT DOCUMENTS**

D311,404 S \* 10/1990 Repasky ..... D14/258  
 D314,198 S \* 1/1991 Ito et al. .... D14/156  
 D368,088 S \* 3/1996 Cha ..... D14/135  
 D407,711 S \* 4/1999 Storti et al. .... D14/257  
 D416,264 S \* 11/1999 Althans et al. .... D14/257  
 D418,518 S \* 1/2000 Storti et al. .... D14/257  
 6,049,290 A \* 4/2000 Halstead ..... 340/7.63  
 D432,112 S \* 10/2000 Hisatsune ..... D14/156  
 D440,212 S \* 4/2001 Clapper ..... D14/125  
 D441,731 S \* 5/2001 Arhos et al. .... D14/125  
 D442,602 S \* 5/2001 Jean et al. .... D14/445  
 D443,254 S \* 6/2001 Jensen et al. .... D14/125  
 D445,097 S \* 7/2001 Jensen et al. .... D14/125  
 D450,317 S \* 11/2001 Uehara ..... D14/257  
 D455,409 S \* 4/2002 Hsu et al. .... D14/125  
 D457,875 S \* 5/2002 Joe ..... D14/211  
 D458,908 S \* 6/2002 Liu ..... D14/125  
 D459,720 S \* 7/2002 Corander ..... D14/257

*Primary Examiner*—Joel A. Sincavage  
*Assistant Examiner*—Austin Murphy  
 (74) *Attorney, Agent, or Firm*—Waddey & Patterson, P.C.;  
 Lucian Wayne Beavers

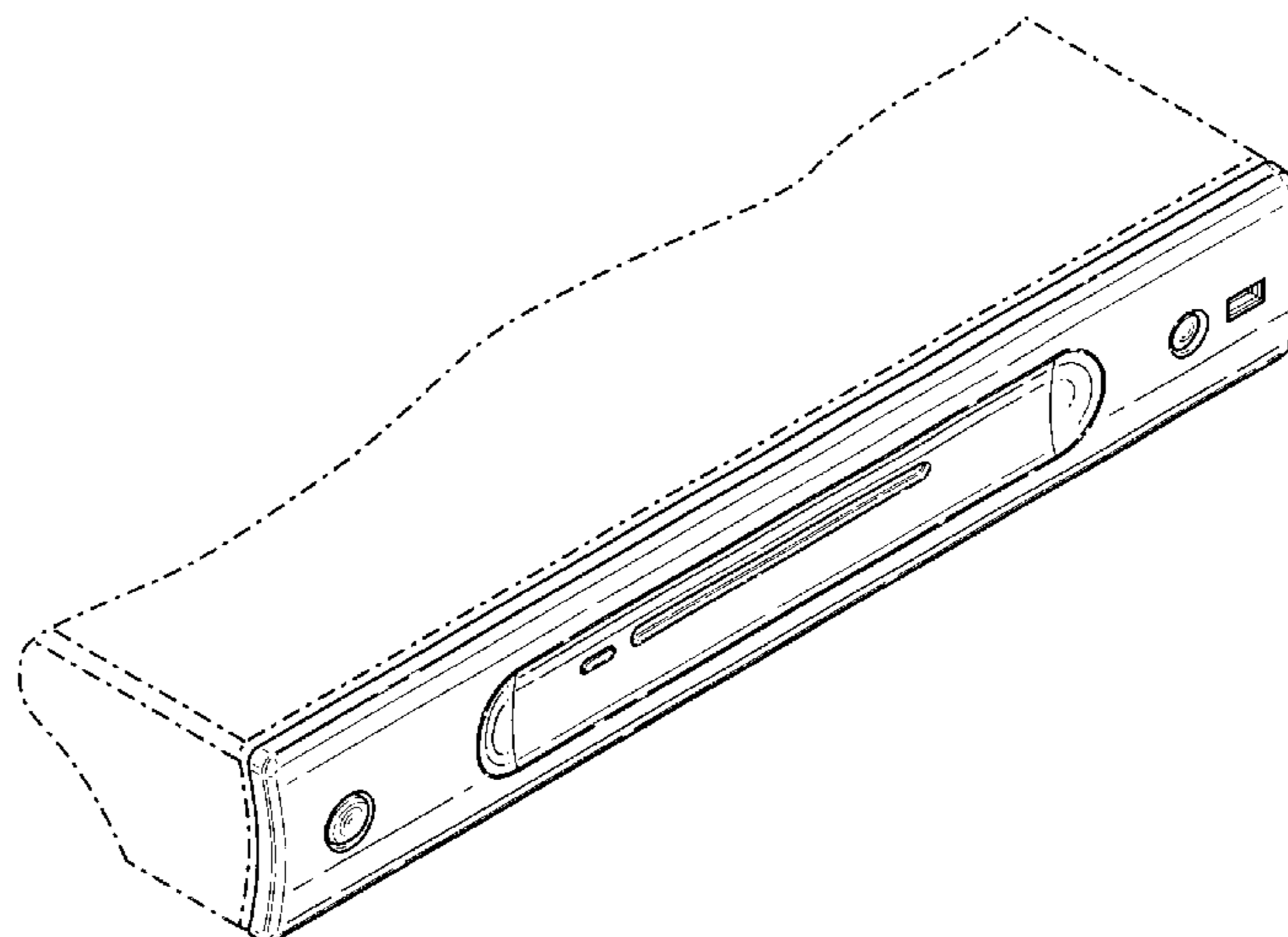
(57) **CLAIM**

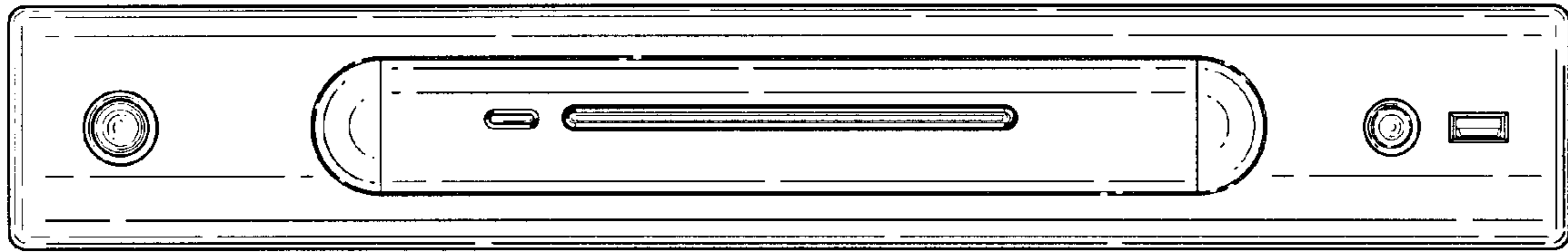
What is claimed is the ornamental design for a front panel for an electronic component, as shown and described.

**DESCRIPTION**

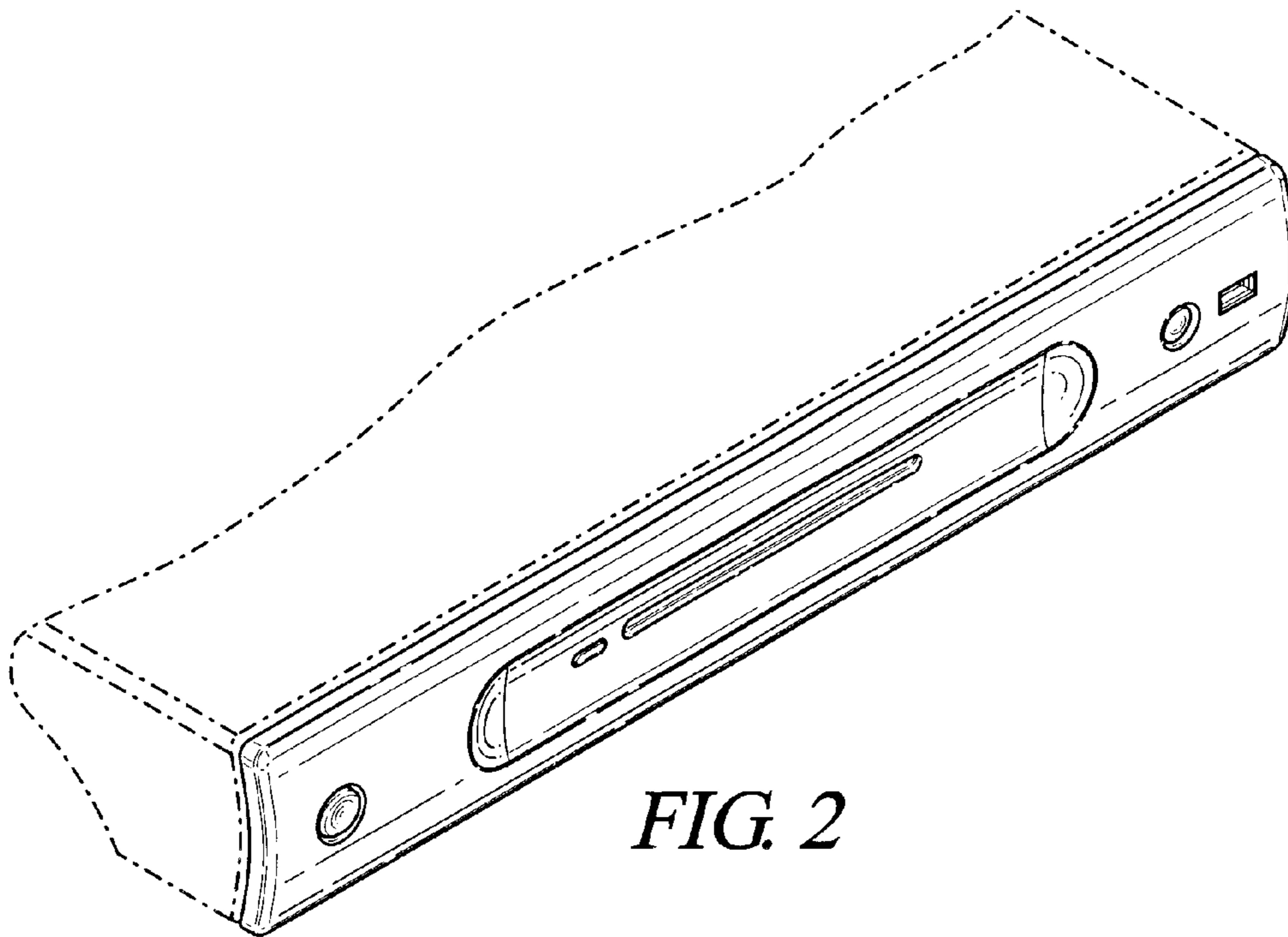
FIG. 1 is a front elevation of the front panel for an electronic component of applicants' invention; and, FIG. 2 is a front perspective of the front panel for an electronic component of applicants' invention, with surrounding structure being shown in dashed lines. The broken line showing of FIG. 2 is for illustrative purposes only and forms no part of the claimed design.

**1 Claim, 1 Drawing Sheet**





*FIG. 1*



*FIG. 2*