



US00D512416S

(12) **United States Design Patent**  
**Medina Malaver**

(10) **Patent No.:** **US D512,416 S**  
(45) **Date of Patent:** **\*\* Dec. 6, 2005**

(54) **MAGNET HOUSING FOR HEADSET**

(75) **Inventor:** **Evelia Ysabel Medina Malaver,**  
Roseville (AU)

(73) **Assignee:** **Cochlear Limited,** Lane Cove (AU)

(\*\*) **Term:** **14 Years**

(21) **Appl. No.:** **29/206,716**

(22) **Filed:** **Jun. 3, 2004**

(51) **LOC (8) Cl.** ..... **14-01**

(52) **U.S. Cl.** ..... **D14/223; D14/205**

(58) **Field of Search** ..... D14/160, 258,  
D14/260, 223, 299; D8/382, 385, 360;  
29/605; 242/434; 336/185, 206; 411/432,  
433, 527; 285/81, 92, 354, 373

(56) **References Cited**

**U.S. PATENT DOCUMENTS**

452,003 A	*	5/1891	Lipe	.....	336/206
3,043,000 A	*	7/1962	Hatfield	.....	29/605
D227,118 S	*	6/1973	Muraoka	.....	D14/260
4,226,164 A	*	10/1980	Carter	.....	411/433
D267,541 S	*	1/1983	Kanemitsu	.....	D8/360
4,917,504 A	*	4/1990	Scott et al.	.....	381/381
D348,067 S	*	6/1994	Lucey et al.	.....	D14/223
5,785,477 A	*	7/1998	McGuffey et al.	.....	411/432

6,073,973 A \* 6/2000 Boscaljon et al. .... 285/81

\* cited by examiner

*Primary Examiner*—Paula A. Greene

(74) *Attorney, Agent, or Firm*—Jagtiani + Gutttag

(57) **CLAIM**

The ornamental design for a magnet housing for headset, as shown and described.

**DESCRIPTION**

FIG. 1 is a bottom perspective view of a magnet housing for a headset constructed in accordance with a preferred embodiment of the invention;

FIG. 2 is a top perspective view of a magnet housing for a headset as illustrated in FIG. 1;

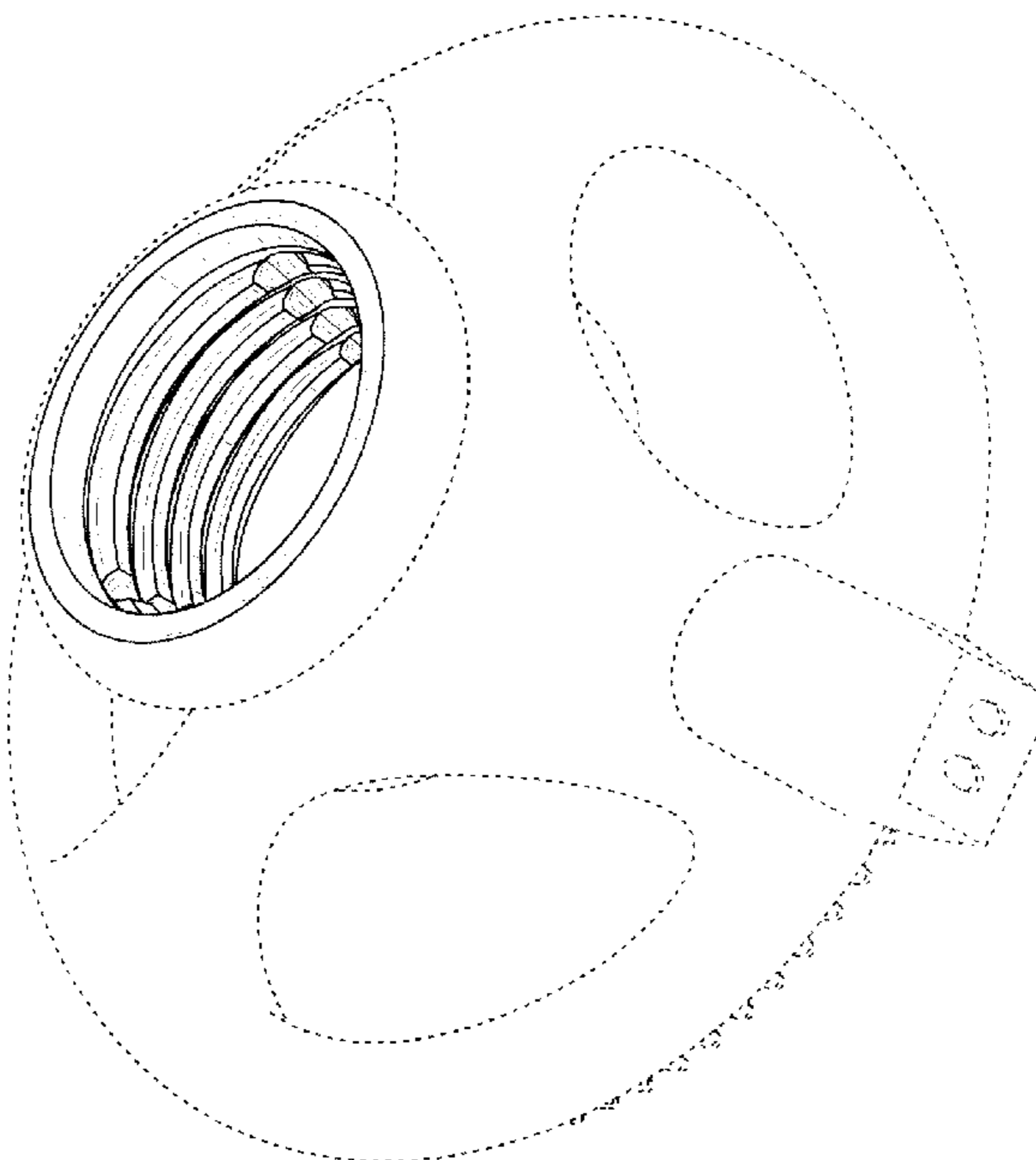
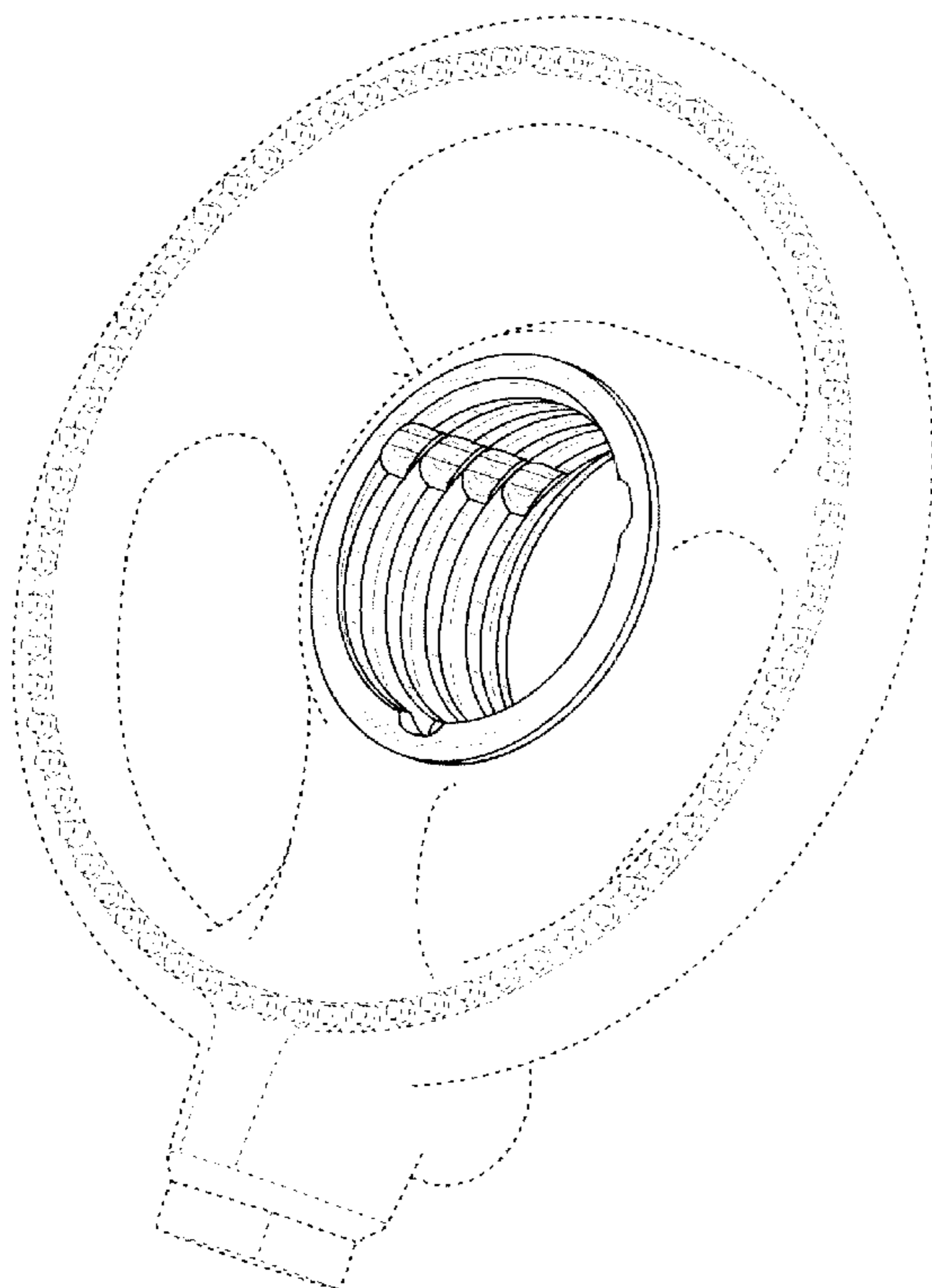
FIG. 3 is a bottom view of a magnet housing for a headset as illustrated in FIG. 1;

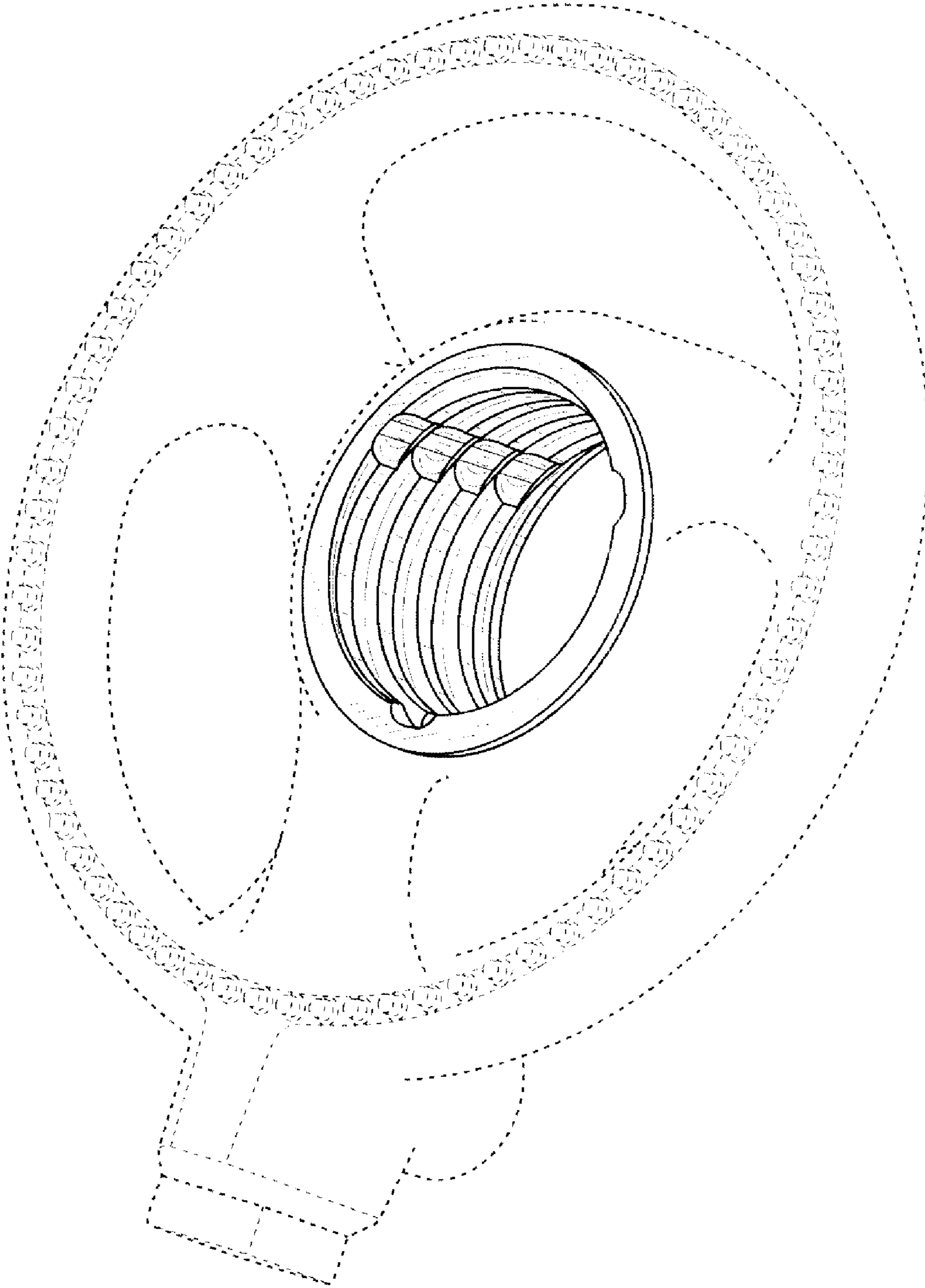
FIG. 4 is a top view of a magnet housing for a headset as illustrated in FIG. 1;

FIG. 5 is a cross section view along line 5 in FIG. 3 of a magnet housing for a headset; and,

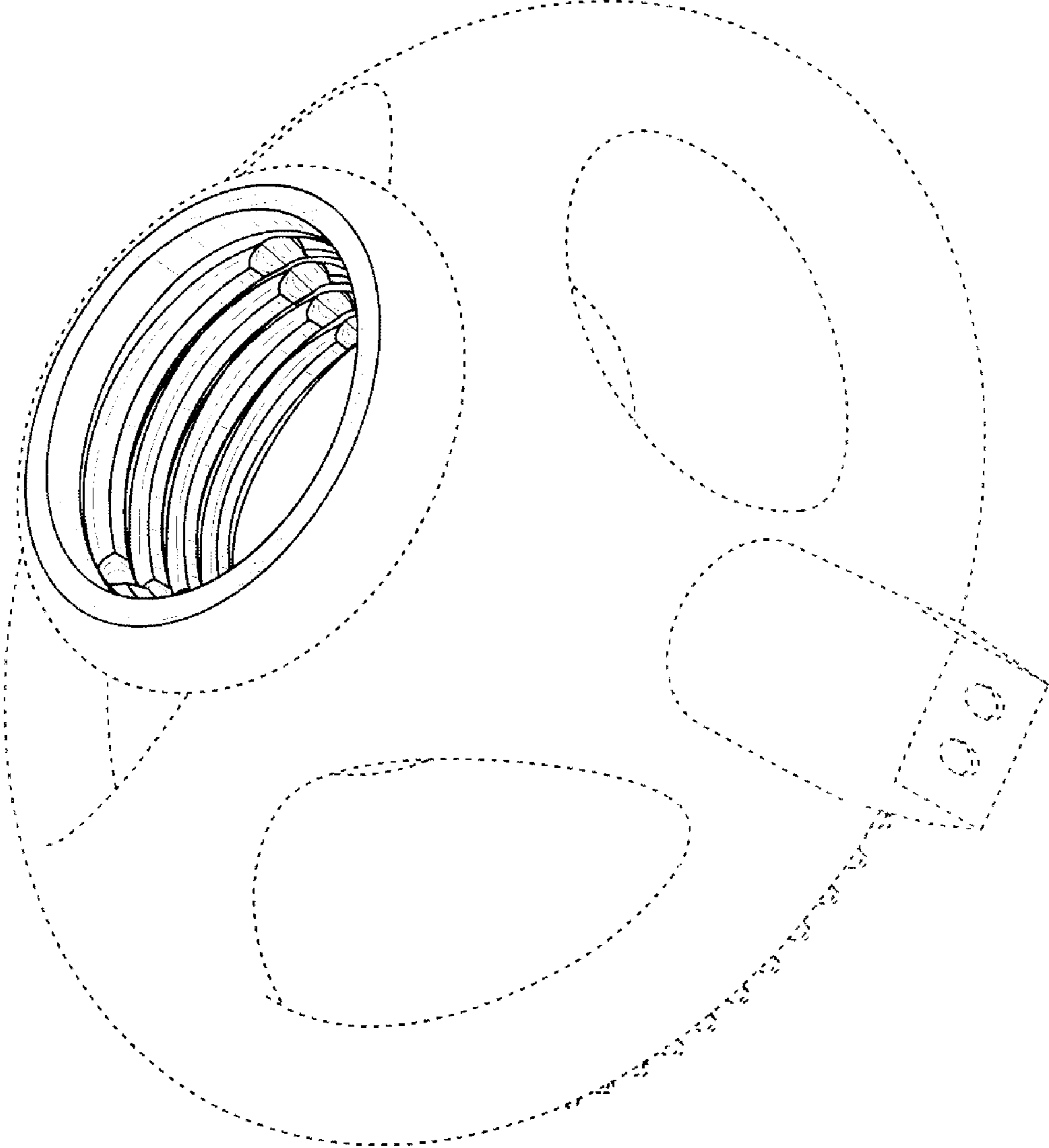
FIG. 6 is a cross section view along line 6 on FIG. 4 thereof. The purpose of the broken lines in the drawings represent environmental or boundary features that forms no part of the claimed design.

**1 Claim, 5 Drawing Sheets**

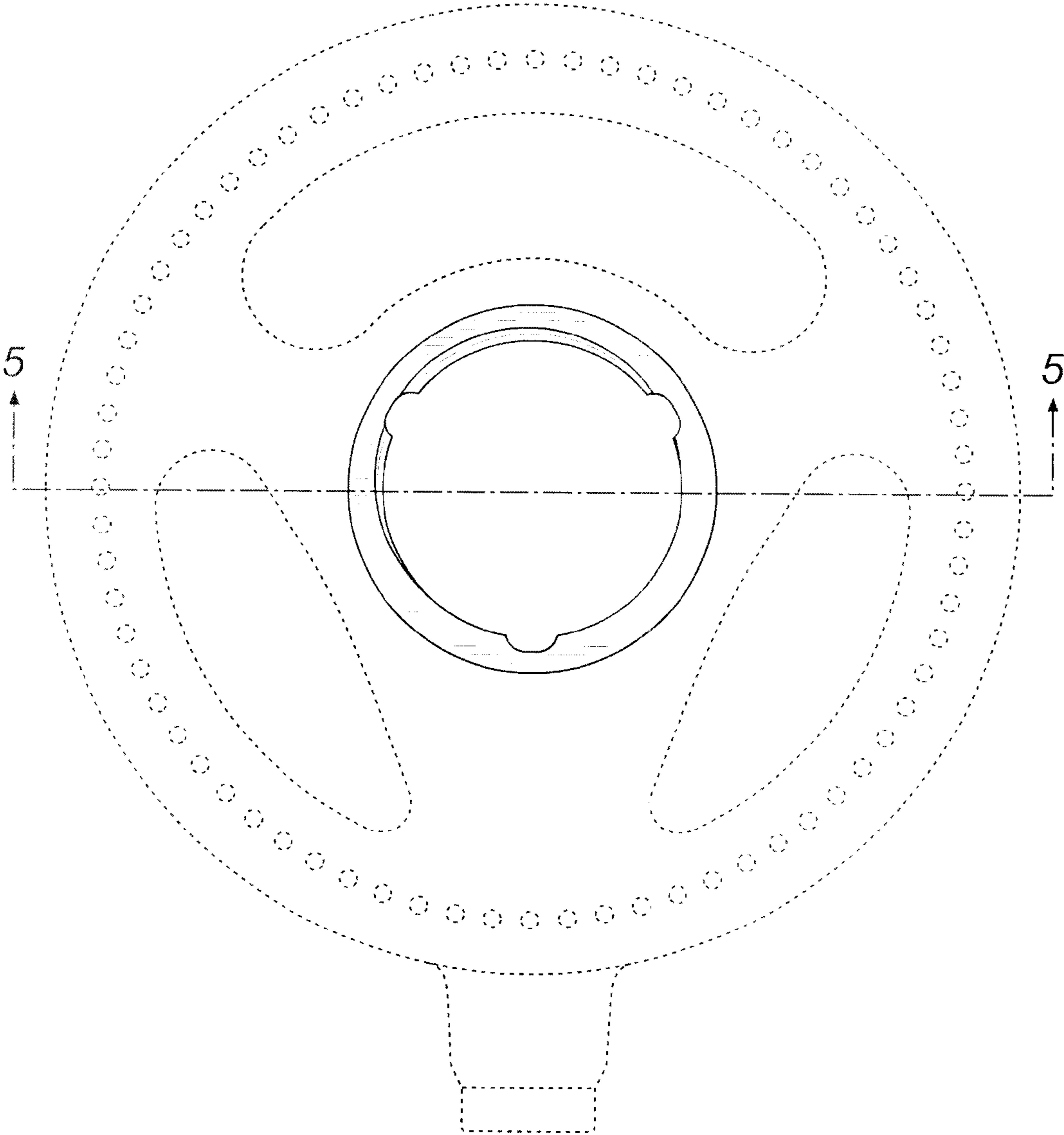




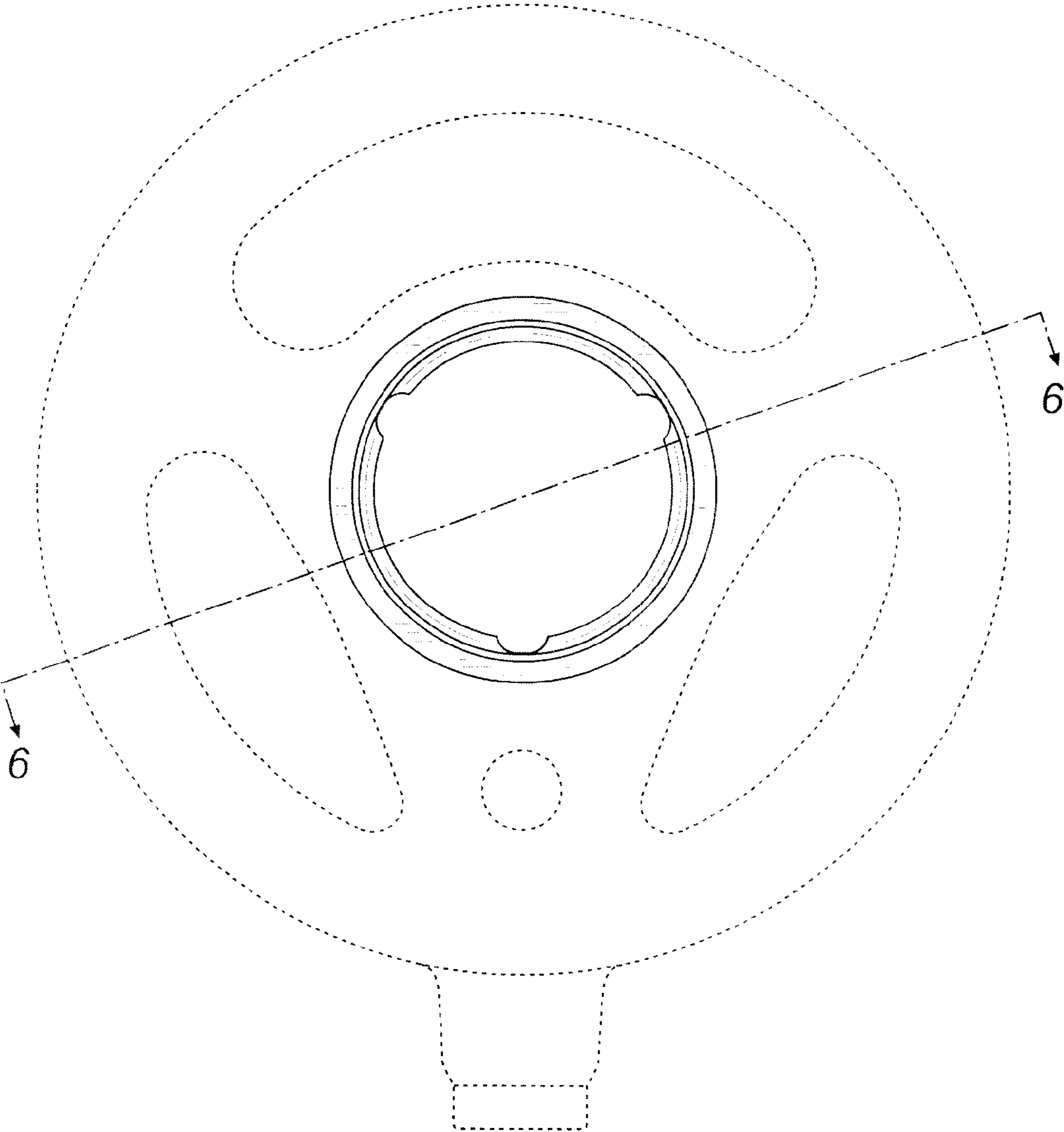
**FIG. 1**



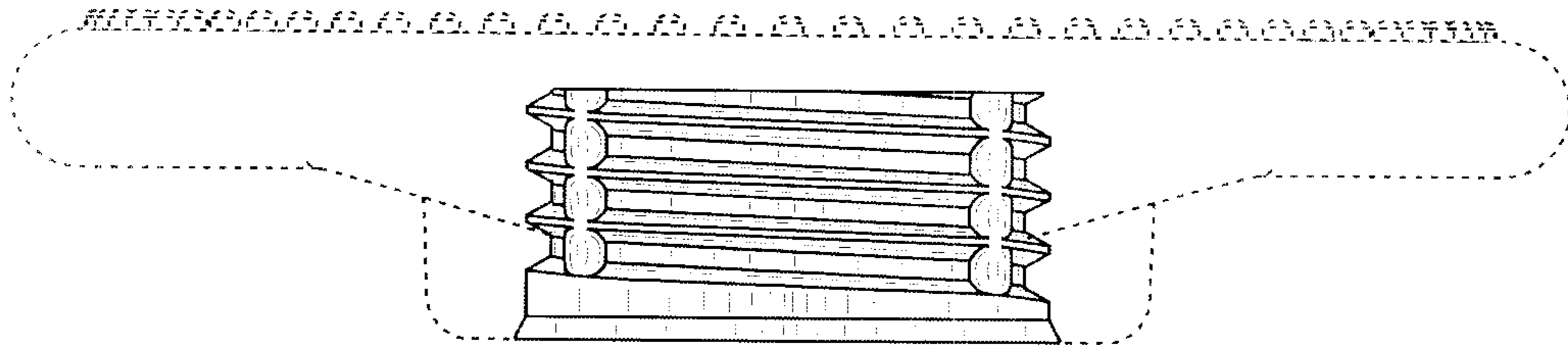
**FIG. 2**



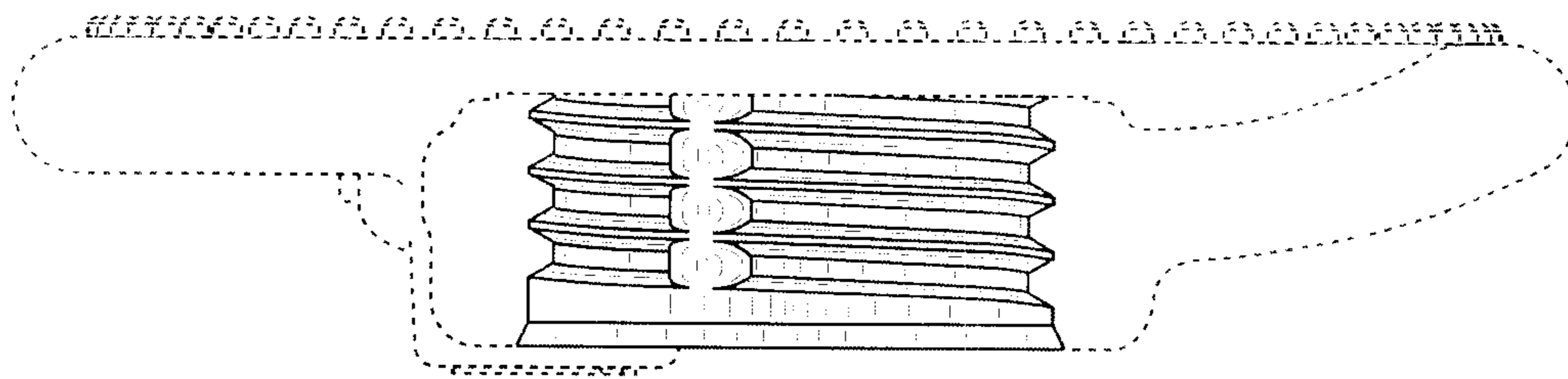
**FIG. 3**



**FIG. 4**



**FIG. 5**



**FIG. 6**