

US00D512414S

(12) **United States Design Patent**
Christianson

(10) **Patent No.:** **US D512,414 S**
(45) **Date of Patent:** **** Dec. 6, 2005**

(54) **SPEAKER**

(75) **Inventor:** **Tristan M. Christianson**, San Francisco, CA (US)

(73) **Assignee:** **Sharper Image Corporation**, San Francisco, CA (US)

(**) **Term:** **14 Years**

(21) **Appl. No.:** **29/209,296**

(22) **Filed:** **Jul. 13, 2004**

(51) **LOC (8) Cl.** **14-01**

(52) **U.S. Cl.** **D14/215**

(58) **Field of Search** D14/204, 207,
D14/209-216, 356, 224; D8/363; 181/143-144,
147-148, 150, 157, 198-199, 151, 153;
381/300-302, 306, 333, 345, 361-364,
386-388, 332, 336; 248/235, 241-242,
278.1, 288.11, 292.12, 292.13; 403/122,
76

(56) **References Cited**

U.S. PATENT DOCUMENTS

D239,775 S * 5/1976 Reed D14/215

5,704,578 A * 1/1998 Fischer 248/288.1
5,730,709 A * 3/1998 Sergent 601/137
D451,495 S * 12/2001 McGurty D14/214

* cited by examiner

Primary Examiner—Nanda Bondade

(74) *Attorney, Agent, or Firm*—Bell, Boyd & Lloyd LLC

(57) **CLAIM**

The ornamental design for a speaker, as shown and described.

DESCRIPTION

FIG. 1 is a front perspective view of a speaker, showing my new design;

FIG. 2 is a rear perspective view thereof;

FIG. 3 is a front view thereof;

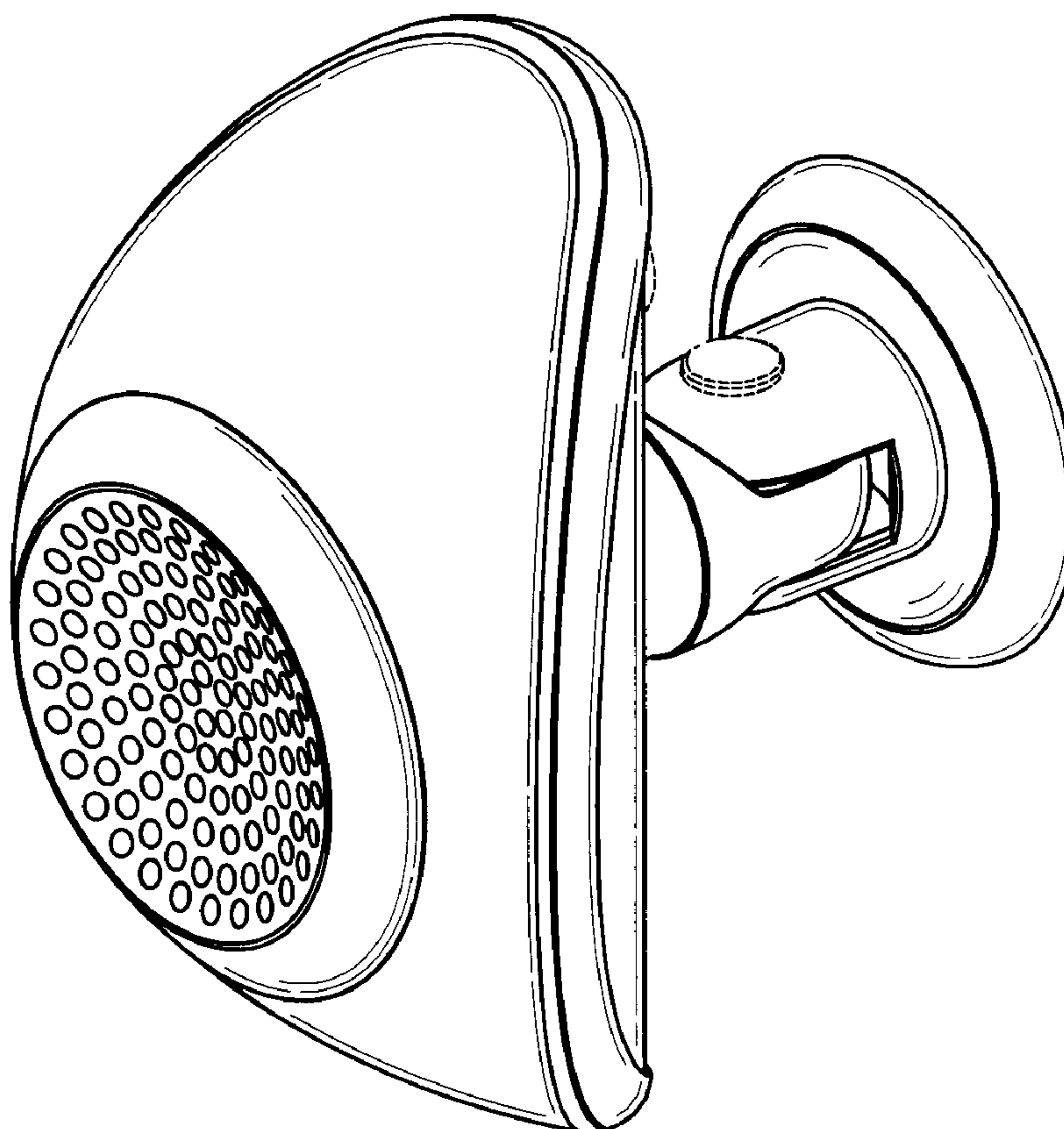
FIG. 4 is a rear view thereof;

FIG. 5 is a side view thereof, the opposite side being a mirror image of FIG. 5; and,

FIG. 6 is a top view thereof, the bottom view being a mirror image of FIG. 6.

The portions shown in broken lines in FIGS. 1-6 are for illustrative purposes only and form no part of the claimed design.

1 Claim, 3 Drawing Sheets



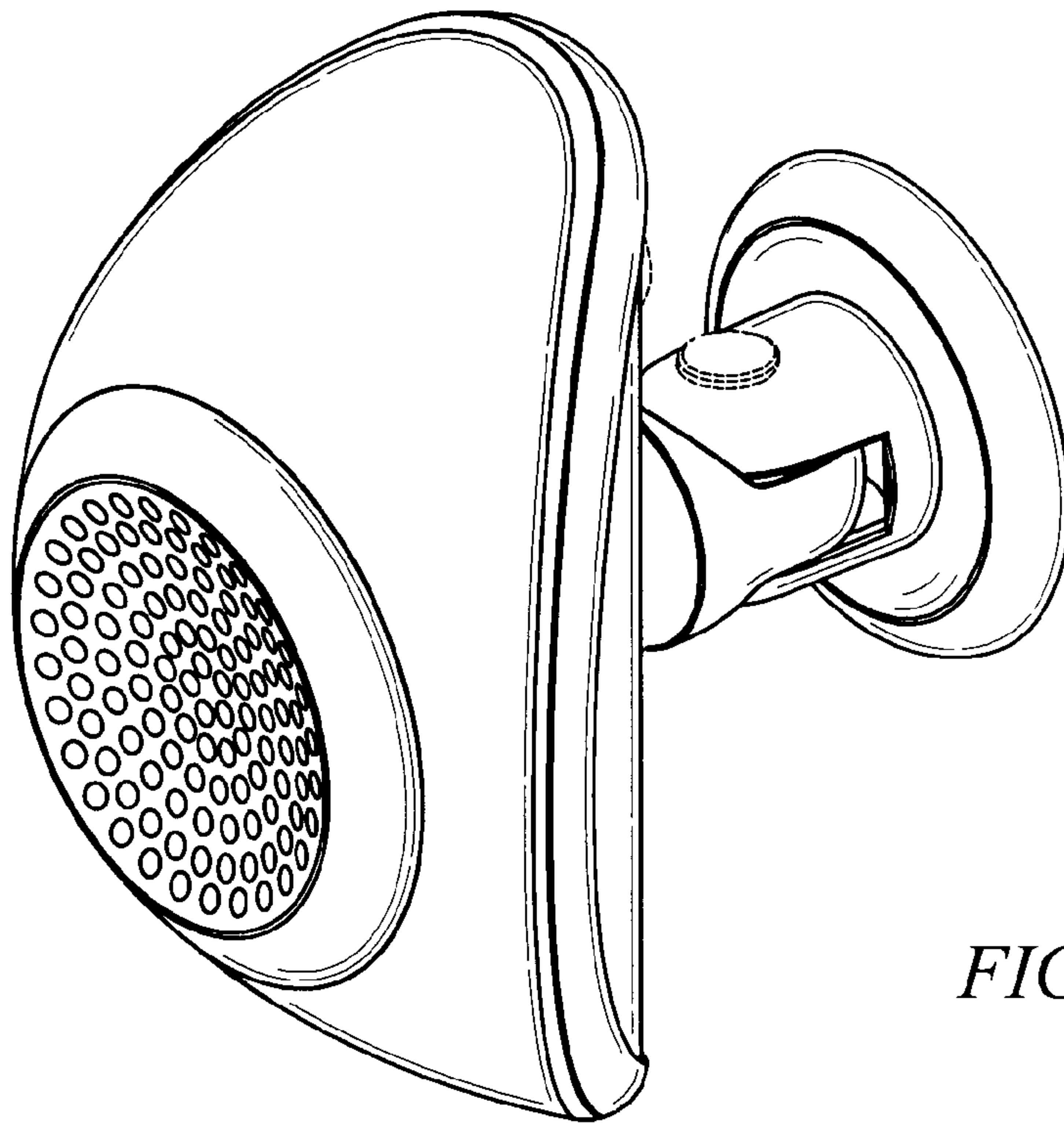


FIG. 1

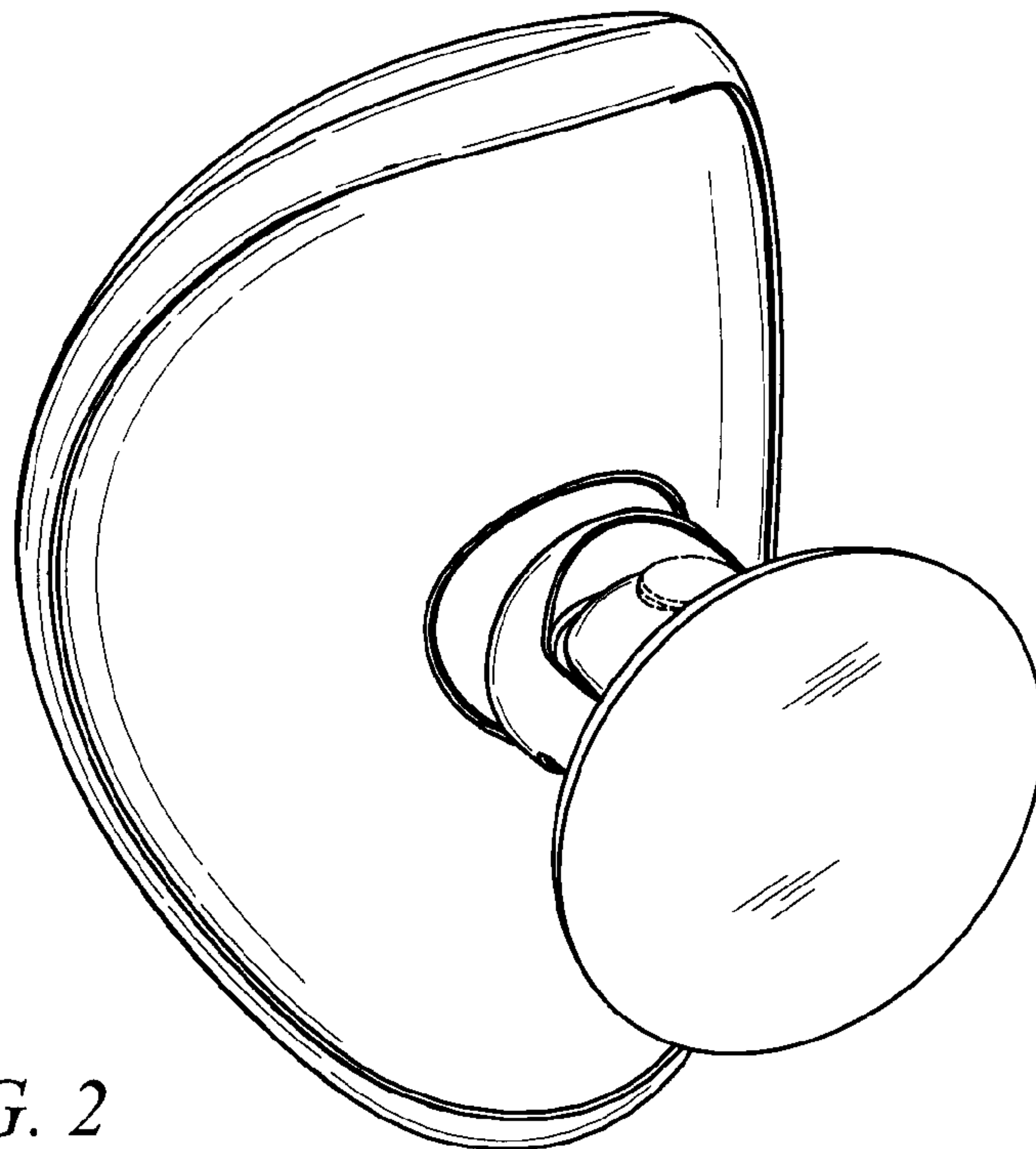


FIG. 2

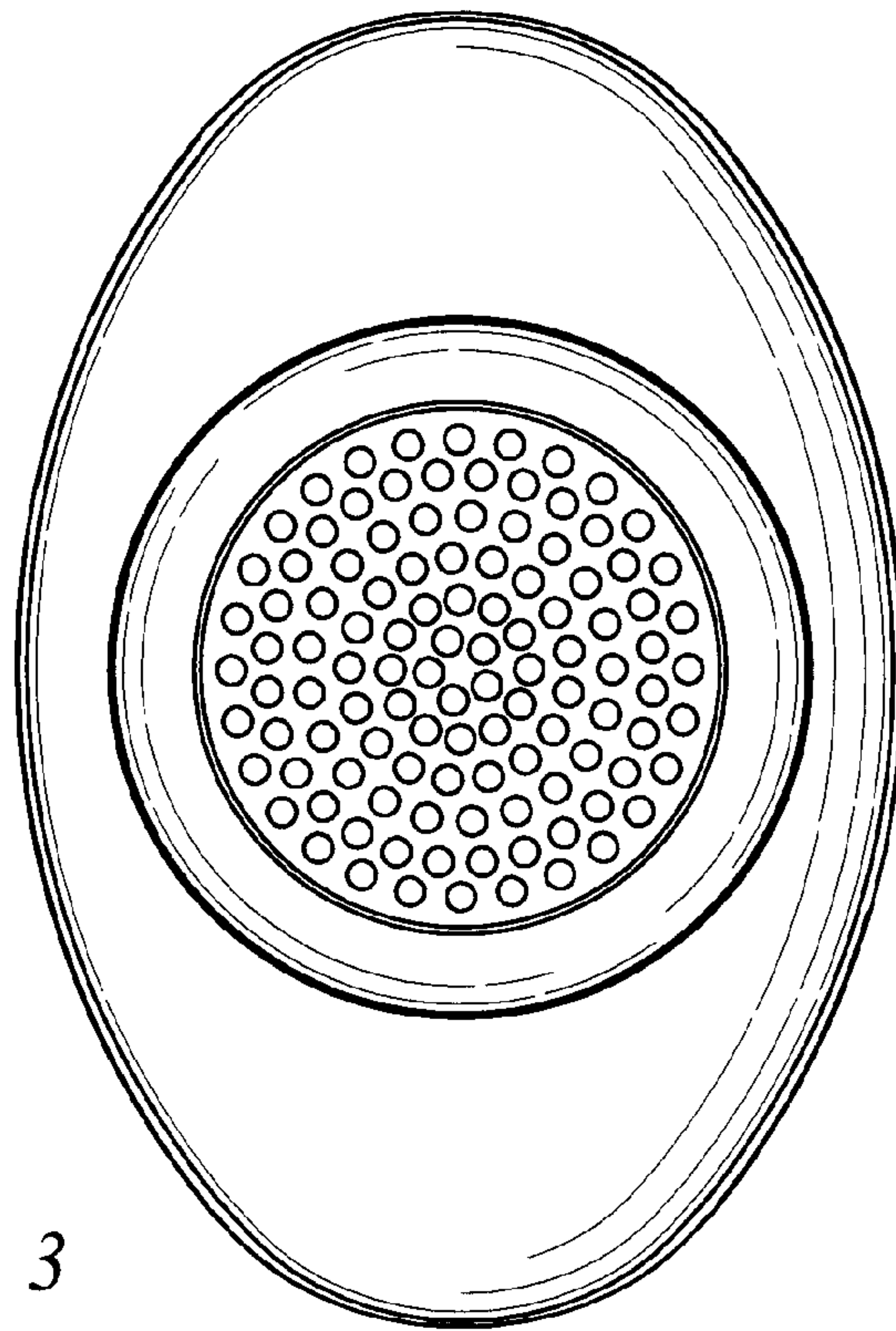


FIG. 3

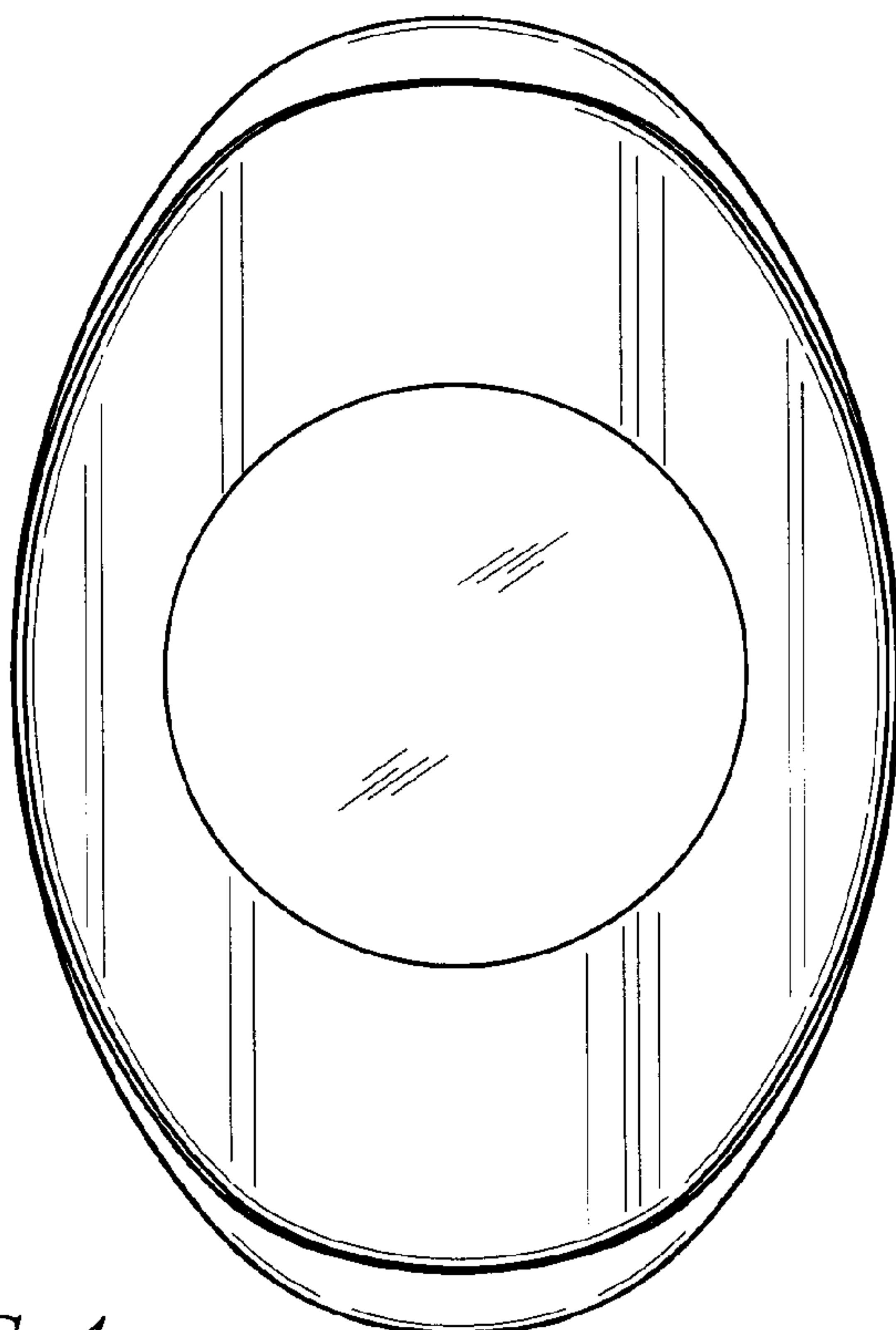


FIG. 4

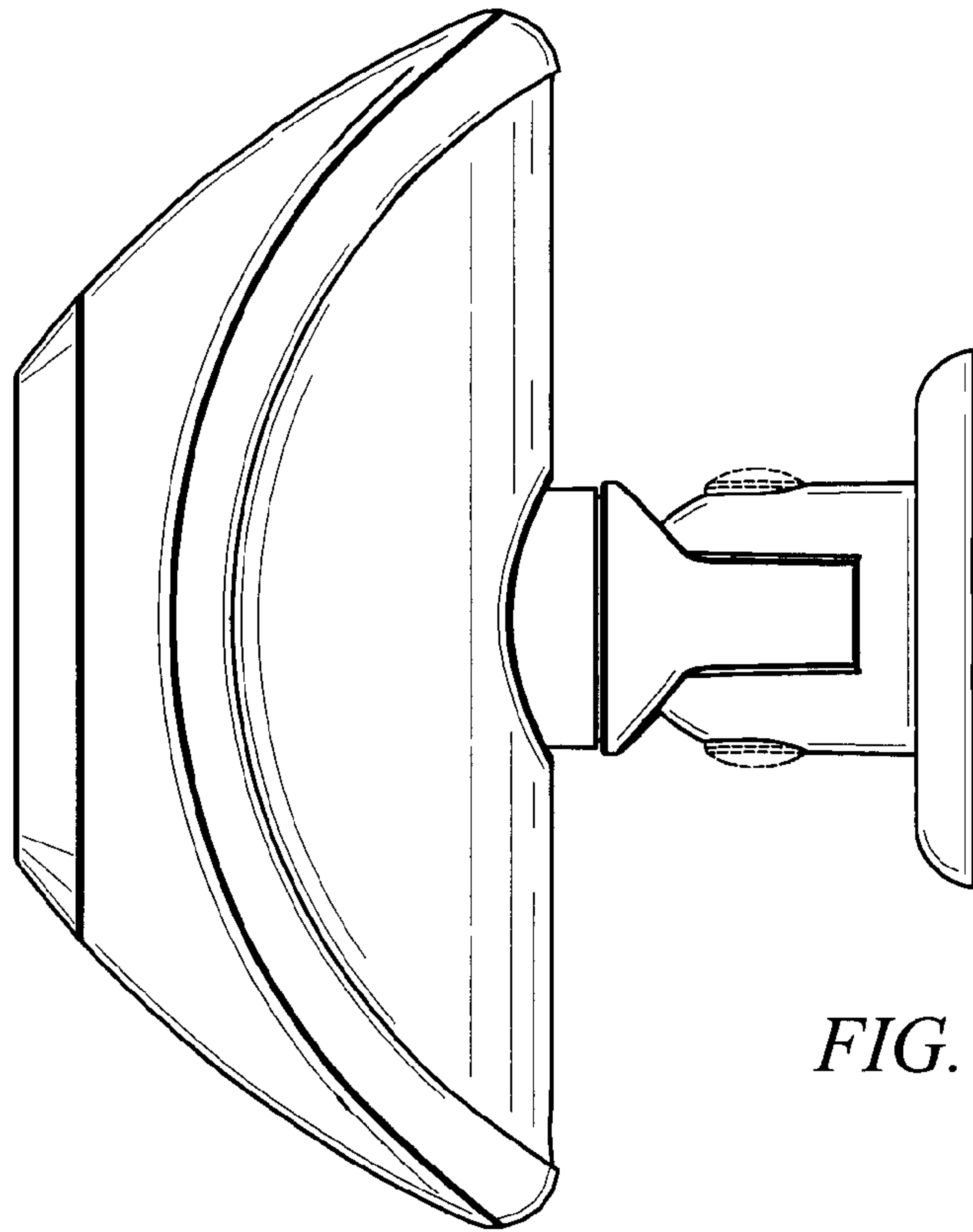


FIG. 5

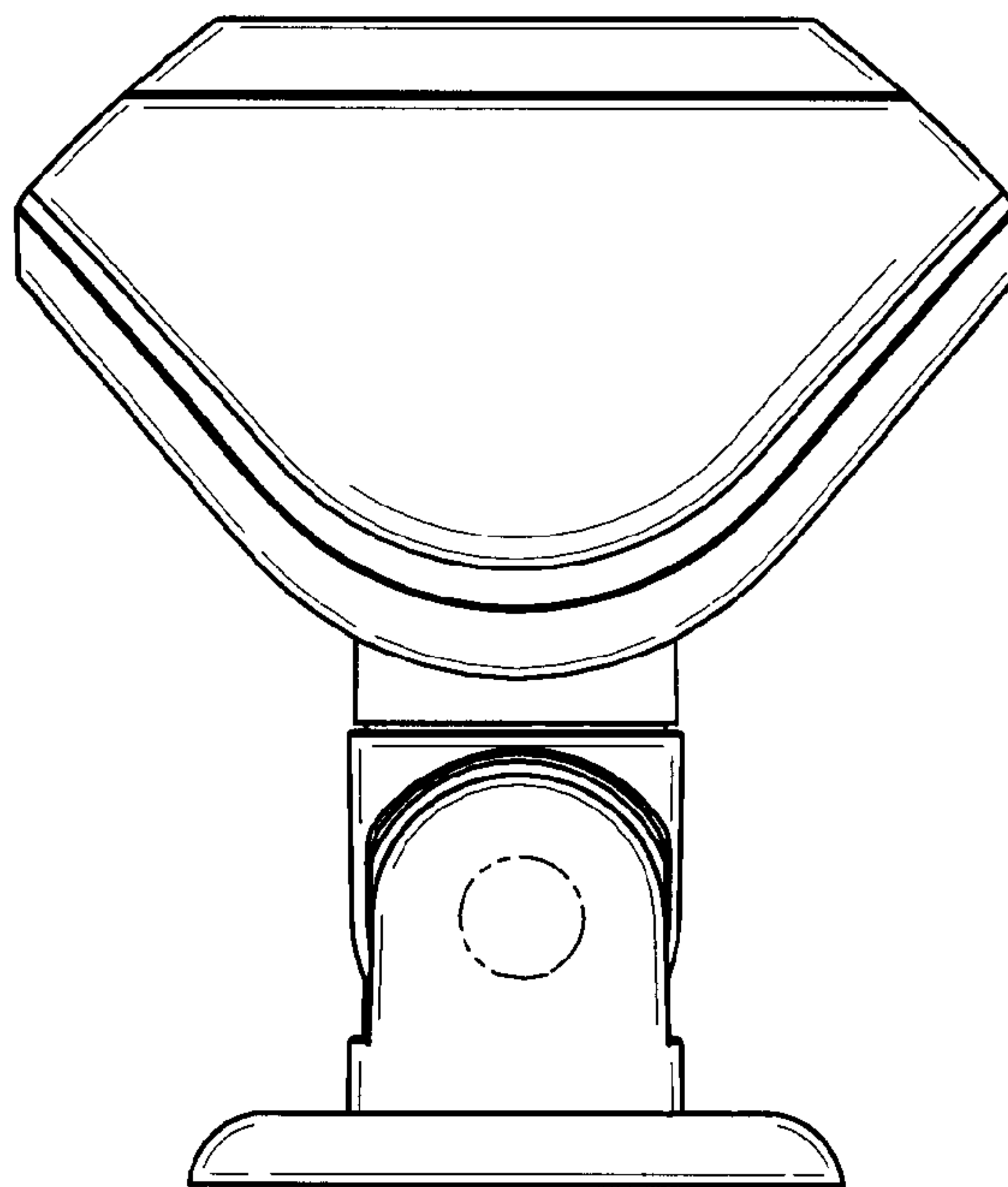


FIG. 6