



US00D512413S

(12) **United States Design Patent**
Brimhall et al.

(10) **Patent No.:** **US D512,413 S**
(45) **Date of Patent:** **** Dec. 6, 2005**

(54) **SPEAKER**

(75) Inventors: **Wells Brimhall**, Portland, OR (US);
Raymond Weikel, Camas, WA (US);
Greggory P. Smith, Vancouver, WA
(US); **Omer Kotzer**, Portland, OR
(US); **Alf U. Hackenberg**, Munich
(DE); **Martin Langkau**, Munich (DE);
Andreas Schuessler, Munich (DE)

(73) Assignee: **Logitech Europe S.A.**,
Romanel-sur-Morges (CH)

(**) Term: **14 Years**

(21) Appl. No.: **29/205,935**

(22) Filed: **May 21, 2004**

(51) **LOC (8) Cl.** **14-01**

(52) **U.S. Cl.** **D14/215**

(58) **Field of Search** D14/204, 207,
D14/209-216, 356; 181/143-144, 147-148,
150, 157, 198-199, 151, 153; 381/300-302,
306, 333, 345, 361-364, 386-388, 332,
336

(56) **References Cited**

U.S. PATENT DOCUMENTS

D404,036 S * 1/1999 Shin et al. D14/211

D409,198 S * 5/1999 Harvey et al. D14/215
5,937,074 A * 8/1999 Carver 381/395
D434,751 S * 12/2000 Sogabe et al. D14/215
D449,036 S * 10/2001 Weikel et al. D14/215

* cited by examiner

Primary Examiner—Nanda Bondade
(74) *Attorney, Agent, or Firm*—Ipsolon llp

(57) **CLAIM**

The ornamental design for a speaker, as shown and described.

DESCRIPTION

FIG. 1 is a front, right perspective view of the speaker;
FIG. 2 is front elevational view thereof;
FIG. 3 is a left side elevational view thereof;
FIG. 4 is a top plan view thereof;
FIG. 5 is a bottom plan view thereof; and,
FIG. 6 is a rear elevational view thereof.

The broken lines showing an exemplar speaker case, vent,
and feet are for illustrative purpose only and form no part of
the claimed design.

1 Claim, 3 Drawing Sheets

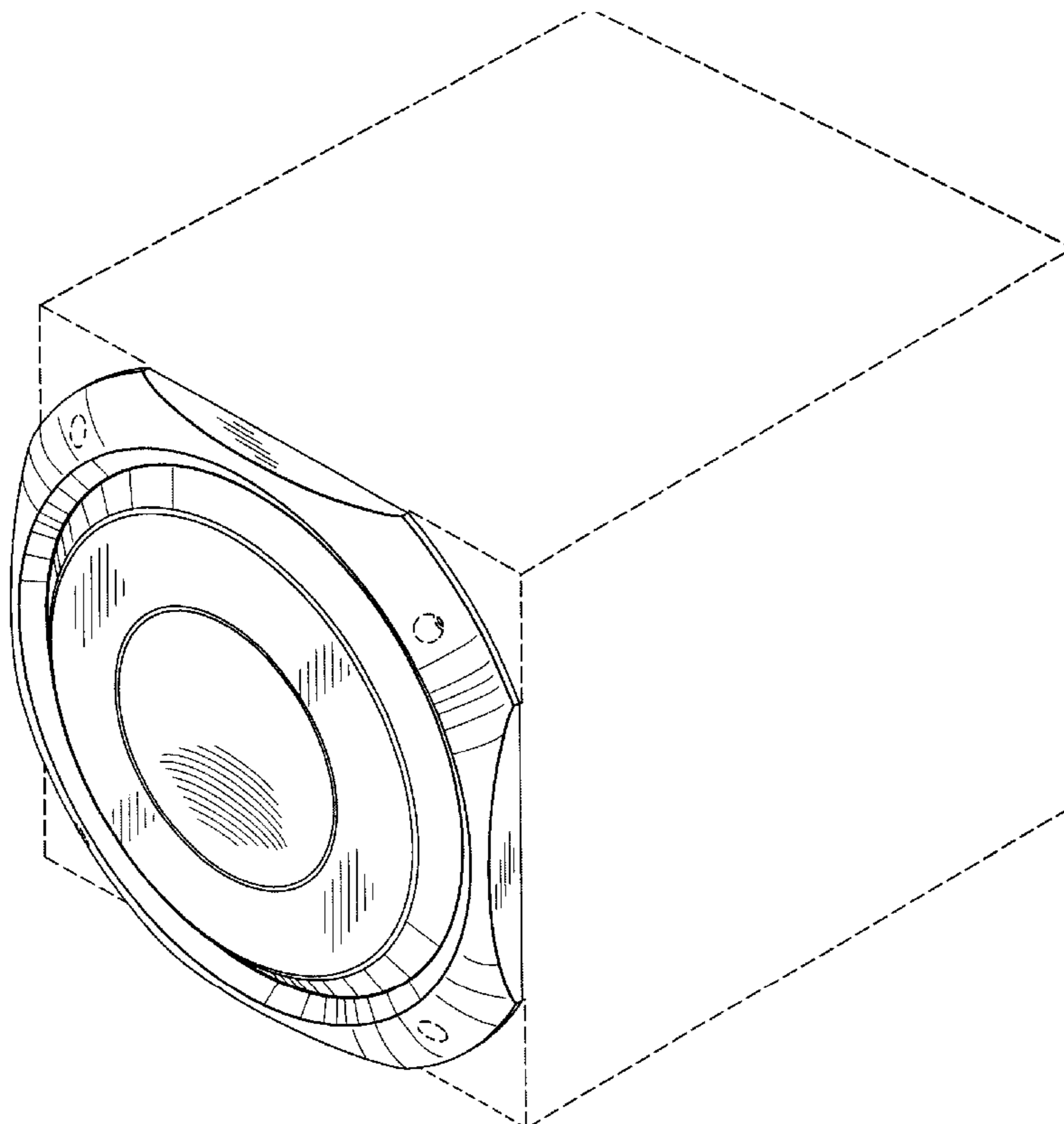


FIG. 1

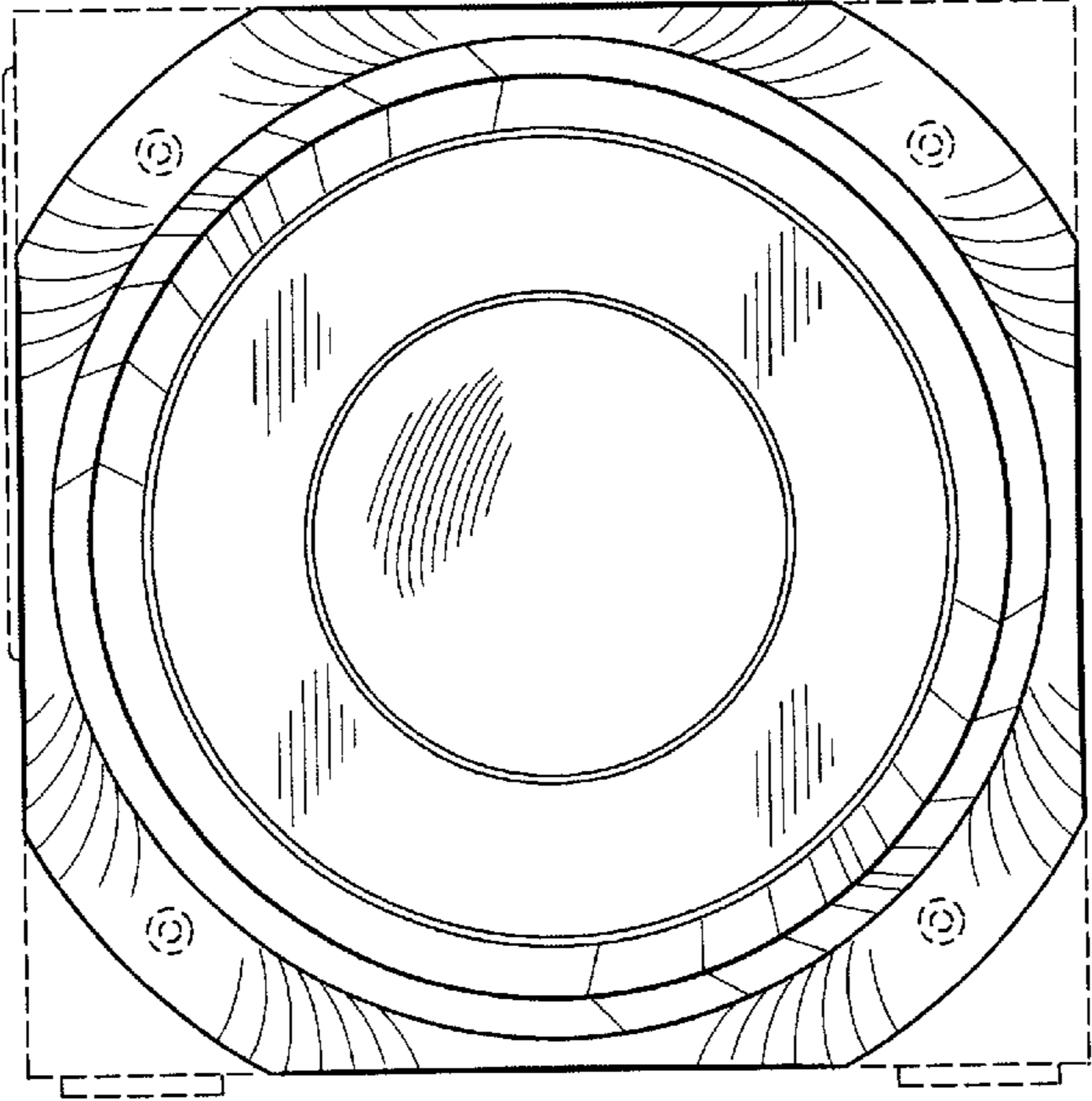
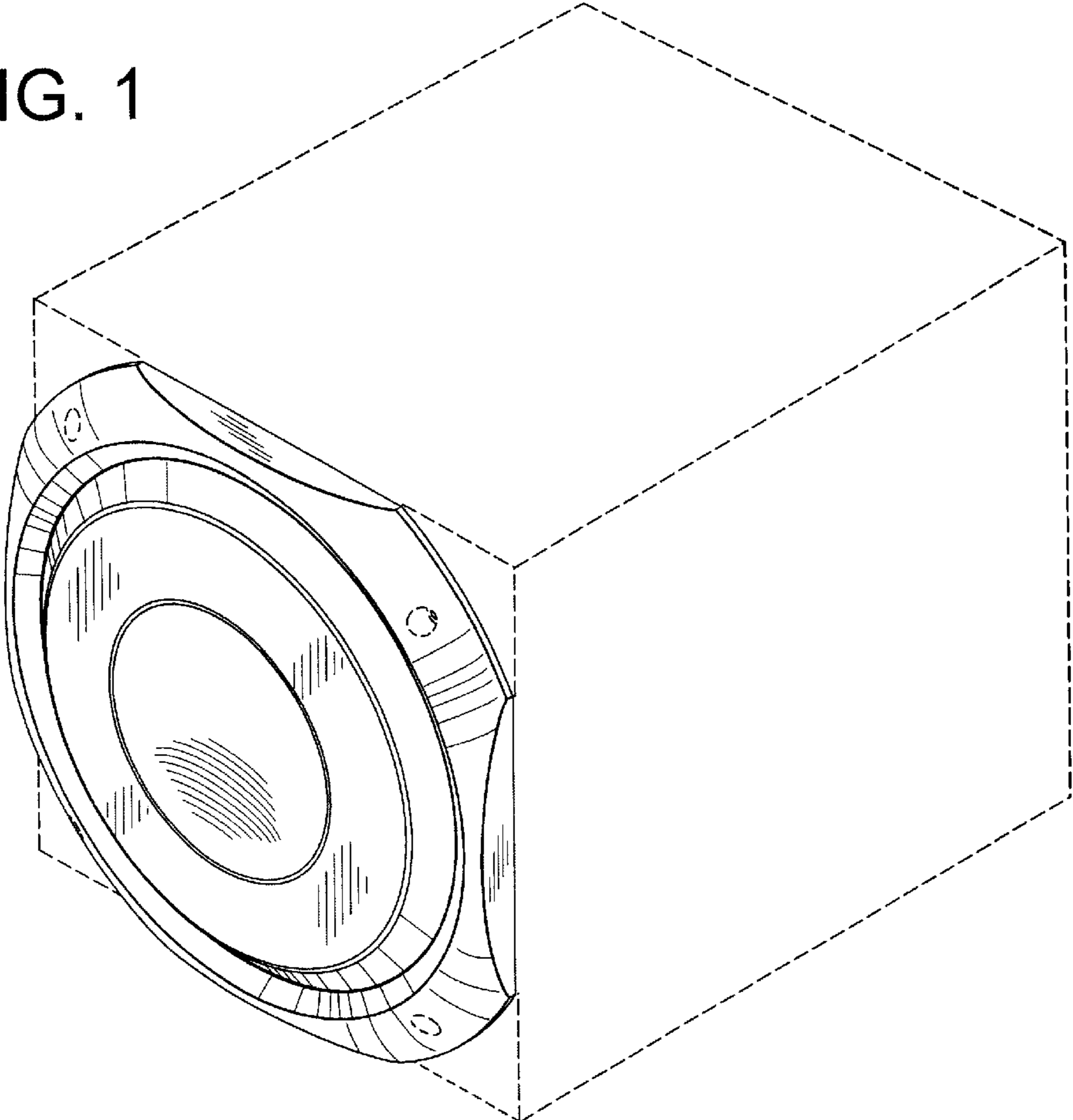


FIG. 2

FIG. 3

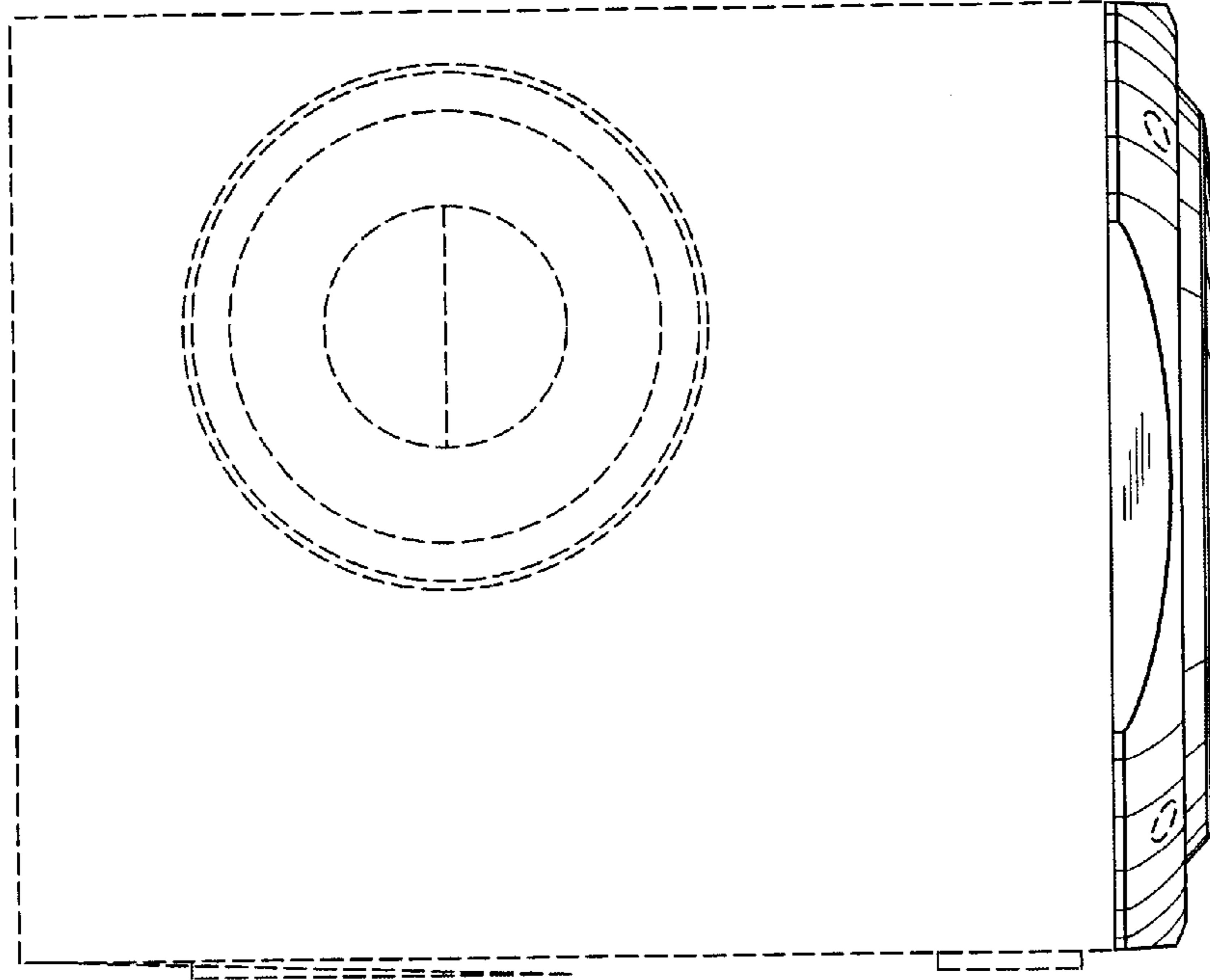


FIG. 4

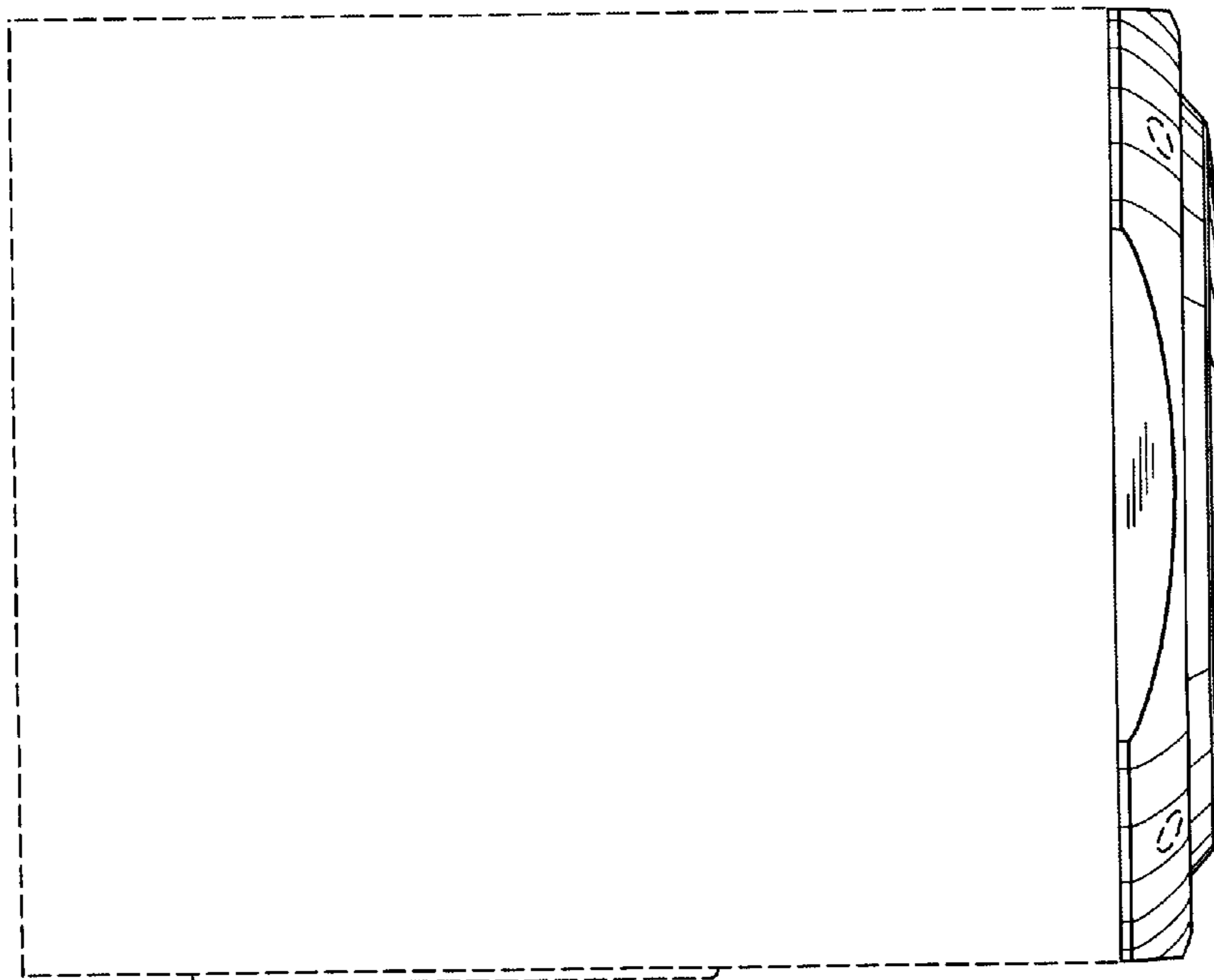


FIG. 5

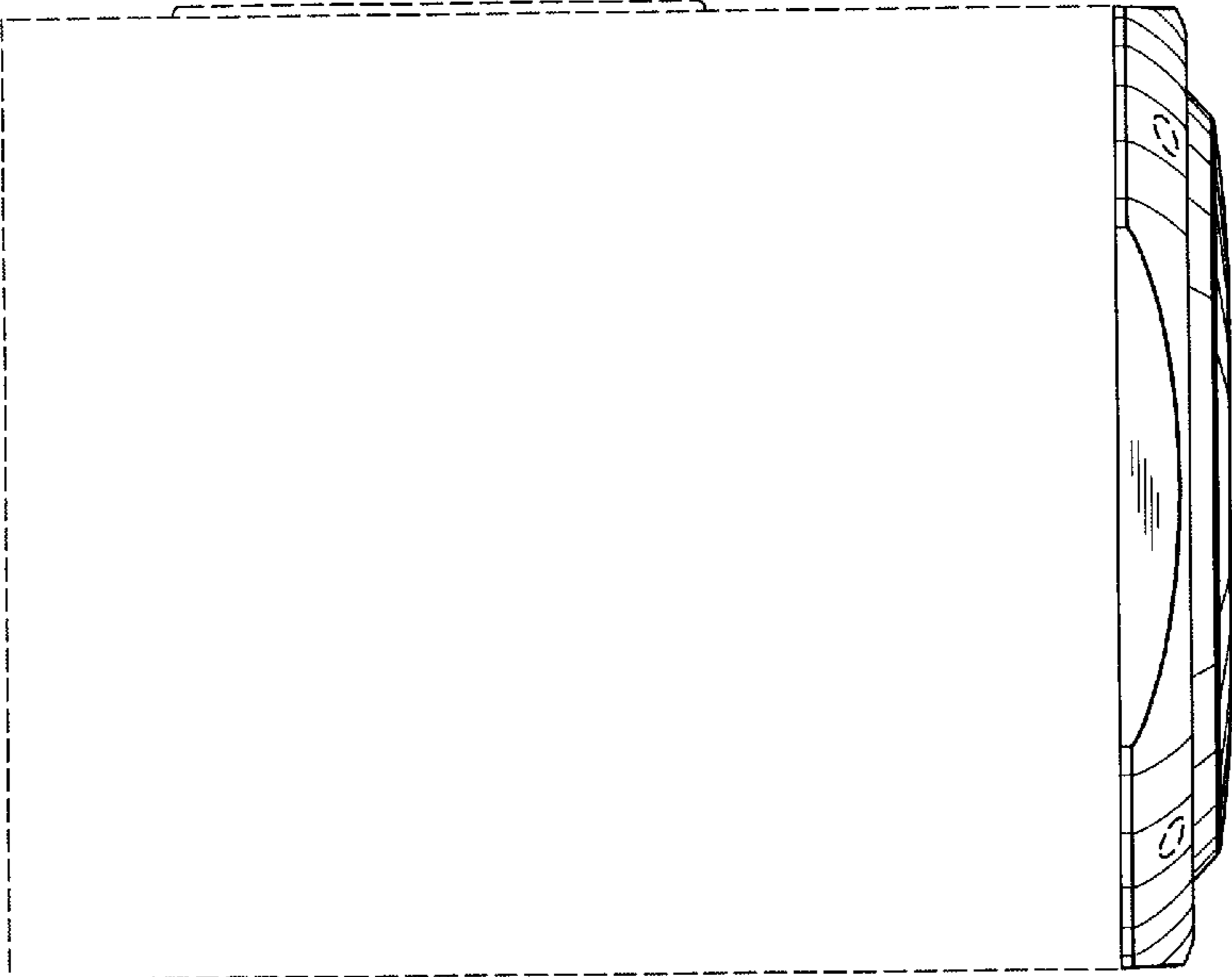


FIG. 6

