



US00D512412S

(12) **United States Design Patent**
Tsuge

(10) **Patent No.:** **US D512,412 S**
(45) **Date of Patent:** **** Dec. 6, 2005**

(54) **SPEAKER BOX**

D491,166 S 6/2004 Hakoda

(75) Inventor: **Takahiro Tsuge**, Tokyo (JP)

OTHER PUBLICATIONS

(73) Assignee: **Sony Corporation**, Tokyo (JP)

Web page "DAV-SC8" <http://www.ecat.sony.co.jp/audio/hometheater/products/index.cfm?PD=15075&KM=DAV-SC8>, 1 sheet, Sony (May 2004).
Web page "JVC TH-A85R" <http://www.v;tava.cz/Store/GoodsDetail.asp?sCGoodsID=SE00681208>, 1 sheet, JVC (May 2004).

(**) Term: **14 Years**

(21) Appl. No.: **29/209,874**

(22) Filed: **Jul. 23, 2004**

* cited by examiner

(51) **LOC (8) Cl.** **14-01**

Primary Examiner—Nanda Bondade

(52) **U.S. Cl.** **D14/214**

(74) *Attorney, Agent, or Firm*—Rader, Fishman & Grauer PLLC

(58) **Field of Search** D14/204, 207,
D14/209–216, 356, 348–355; 181/143–144,
147–148, 150, 157, 198–199, 151, 153;
381/300–302, 306, 333, 345, 361–364,
386–388, 332, 336

(57) **CLAIM**

The ornamental design for speaker box, as shown.

(56) **References Cited**

DESCRIPTION

U.S. PATENT DOCUMENTS

D374,671 S	*	10/1996	Tatsumi	D14/214
D384,668 S	*	10/1997	Yoneda	D14/214
D392,289 S		3/1998	Isonaga		
D410,006 S	*	5/1999	Miyazaki	D14/214
D432,117 S	*	10/2000	Miyazaki	D14/214
D433,681 S	*	11/2000	Jean et al.	D14/349
D435,539 S	*	12/2000	Tsuge	D14/214
D470,473 S		2/2003	Kobayashi		
D480,707 S	*	10/2003	Bolton et al.	D14/214

FIG. 1 is a perspective view of a speaker box showing my new design;

FIG. 2 is a front elevational view thereof;

FIG. 3 is a rear elevational view thereof;

FIG. 4 is a left side elevational view thereof;

FIG. 5 is a right side elevational view thereof;

FIG. 6 is a top plan view thereof; and,

FIG. 7 is a bottom plan view thereof.

1 Claim, 4 Drawing Sheets

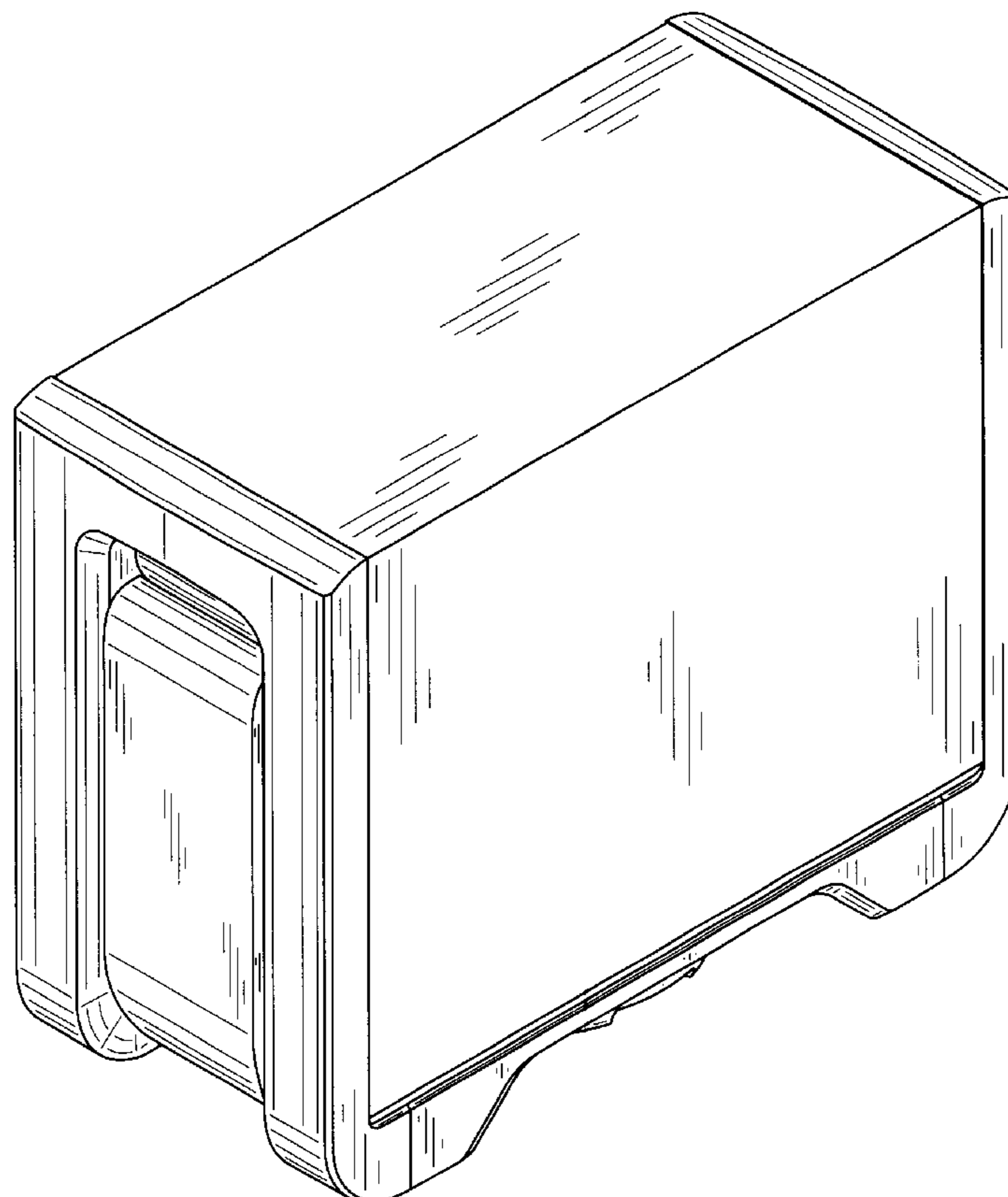


Fig.1

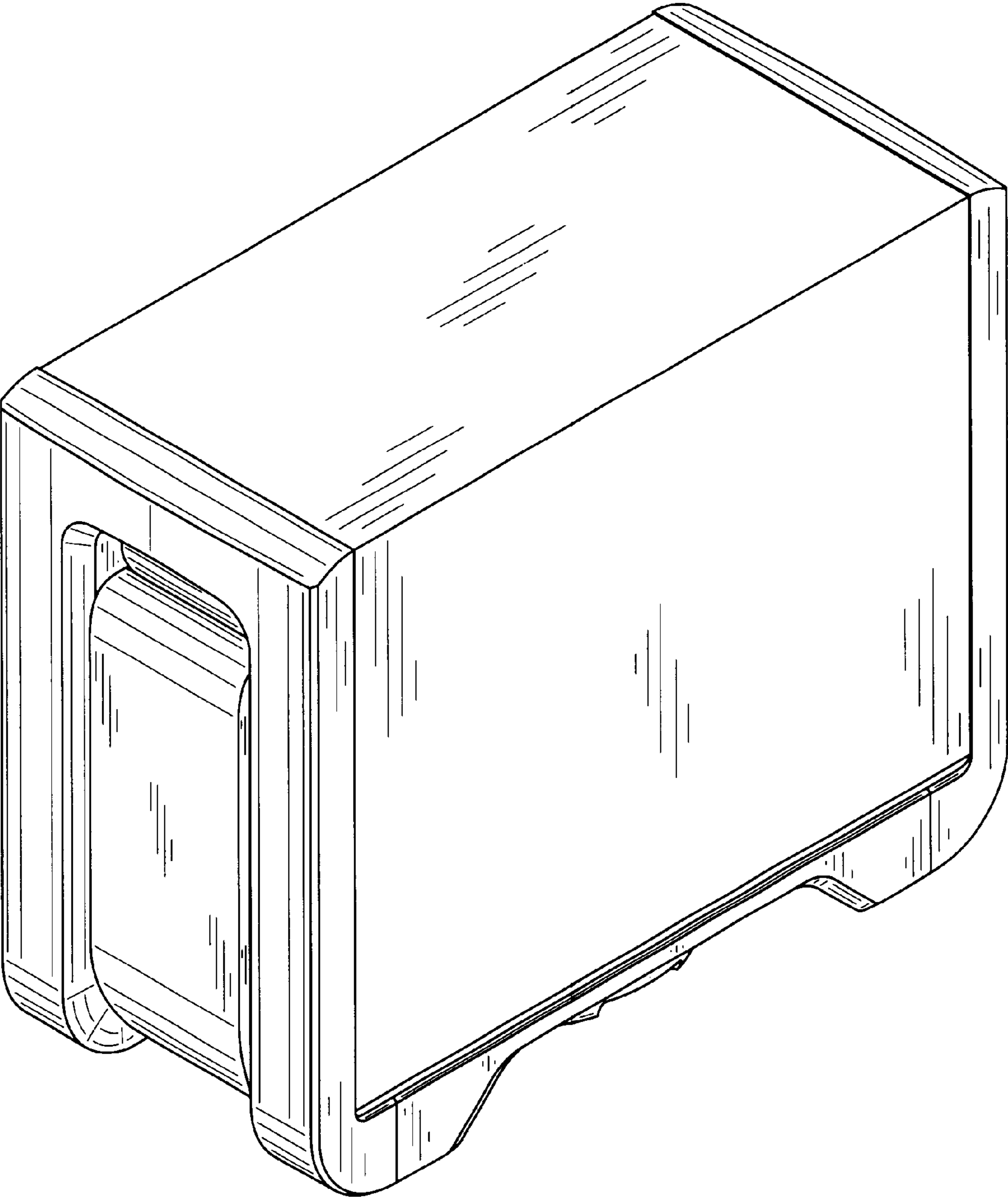


Fig.2

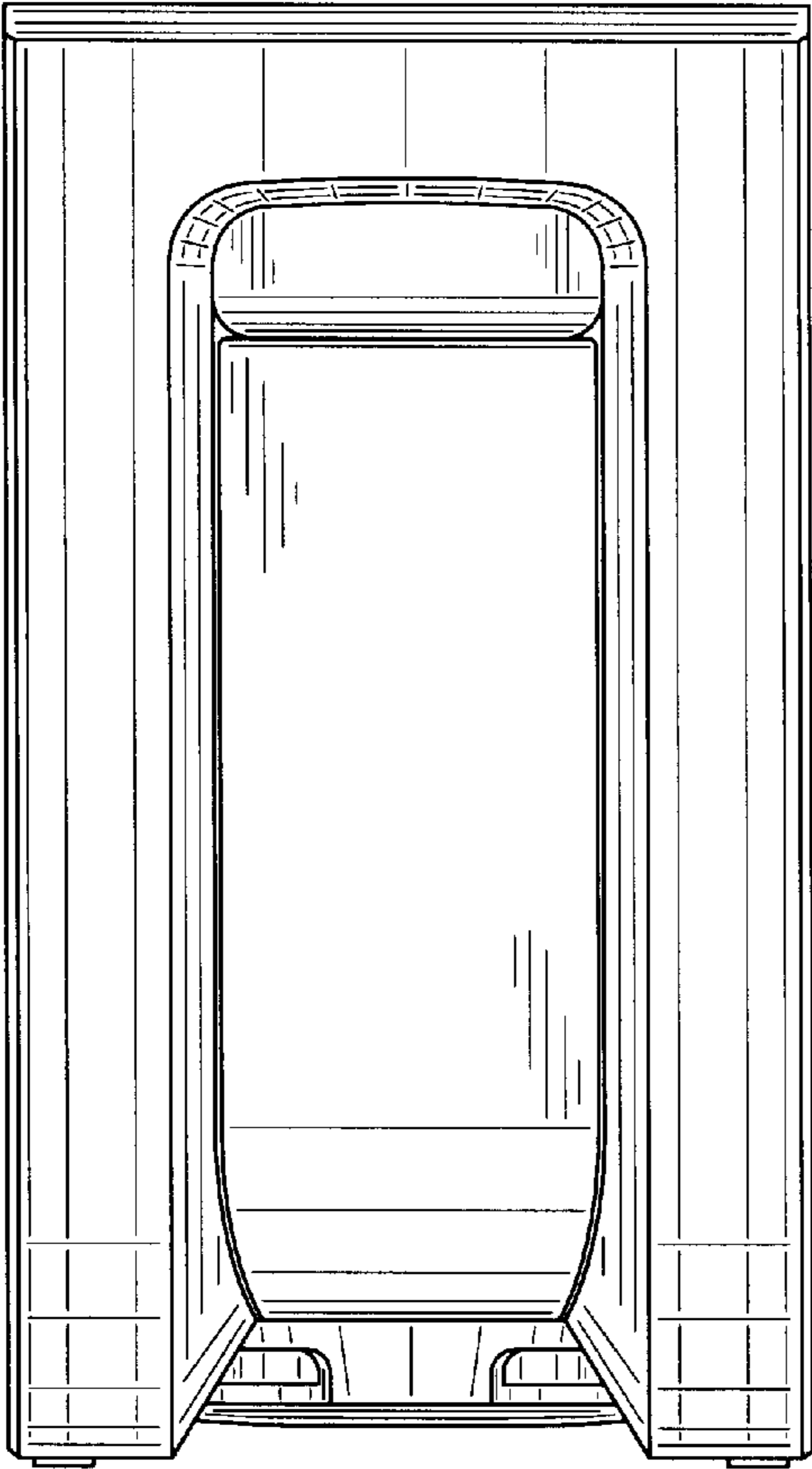


Fig.3

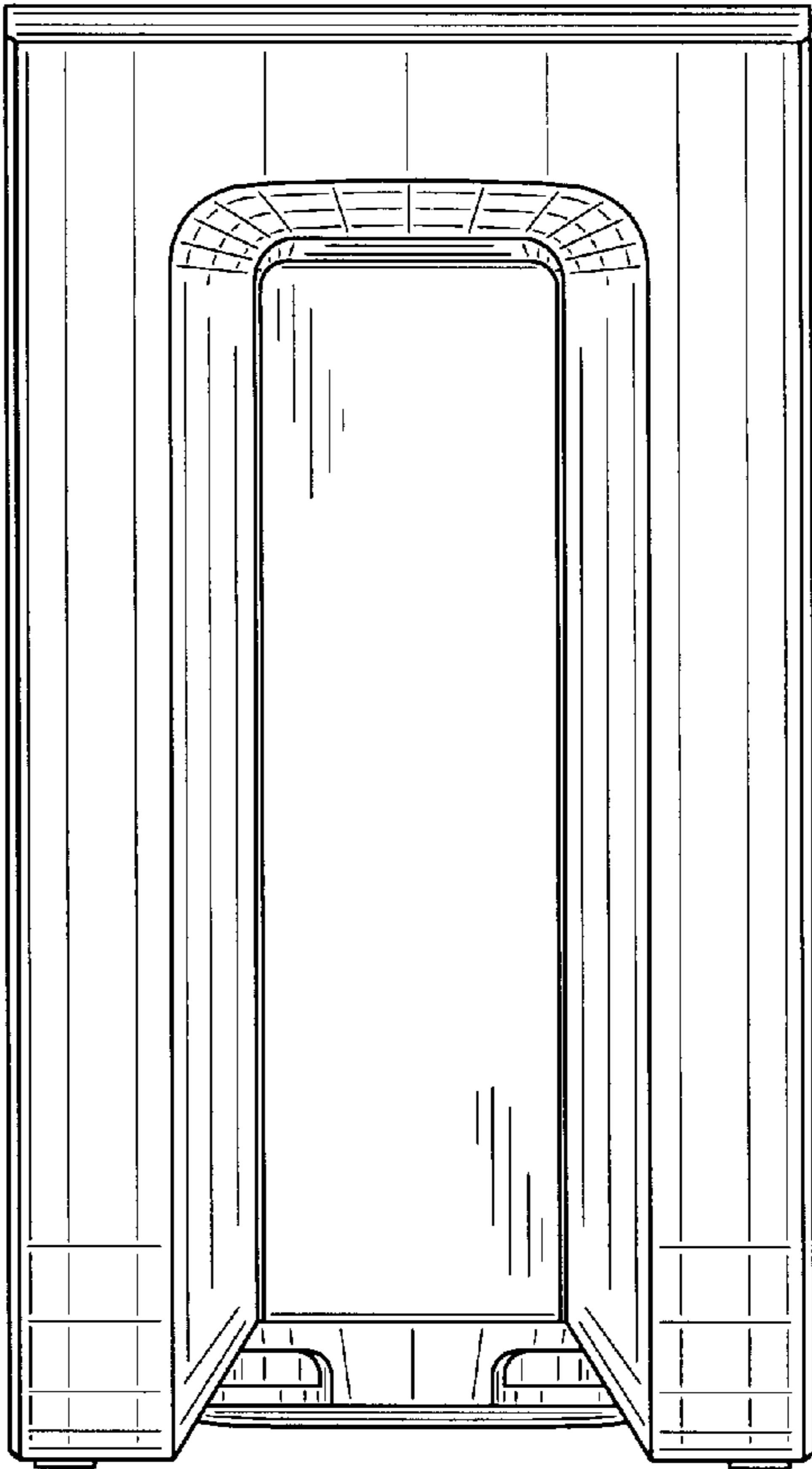


Fig.4

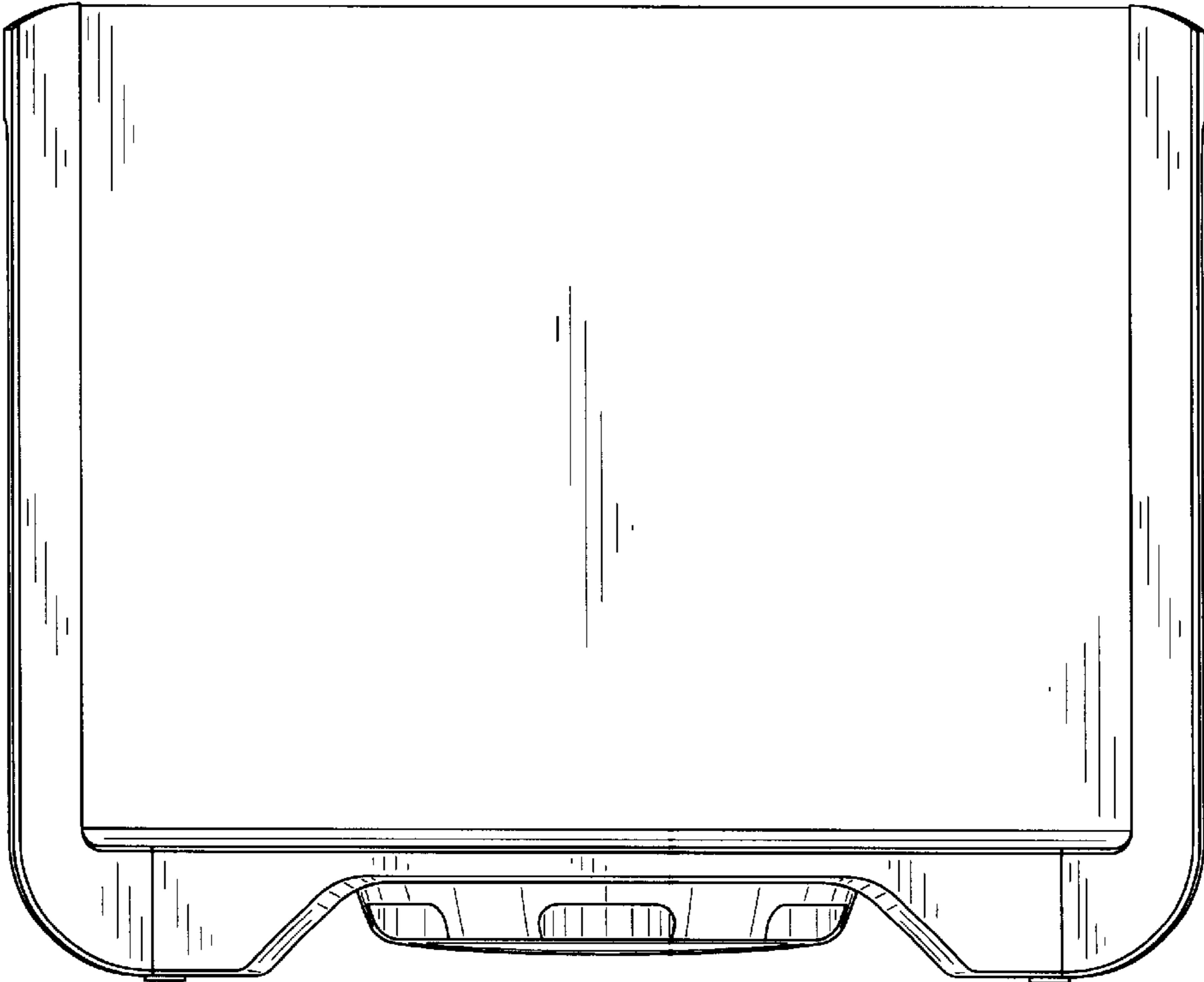


Fig.5

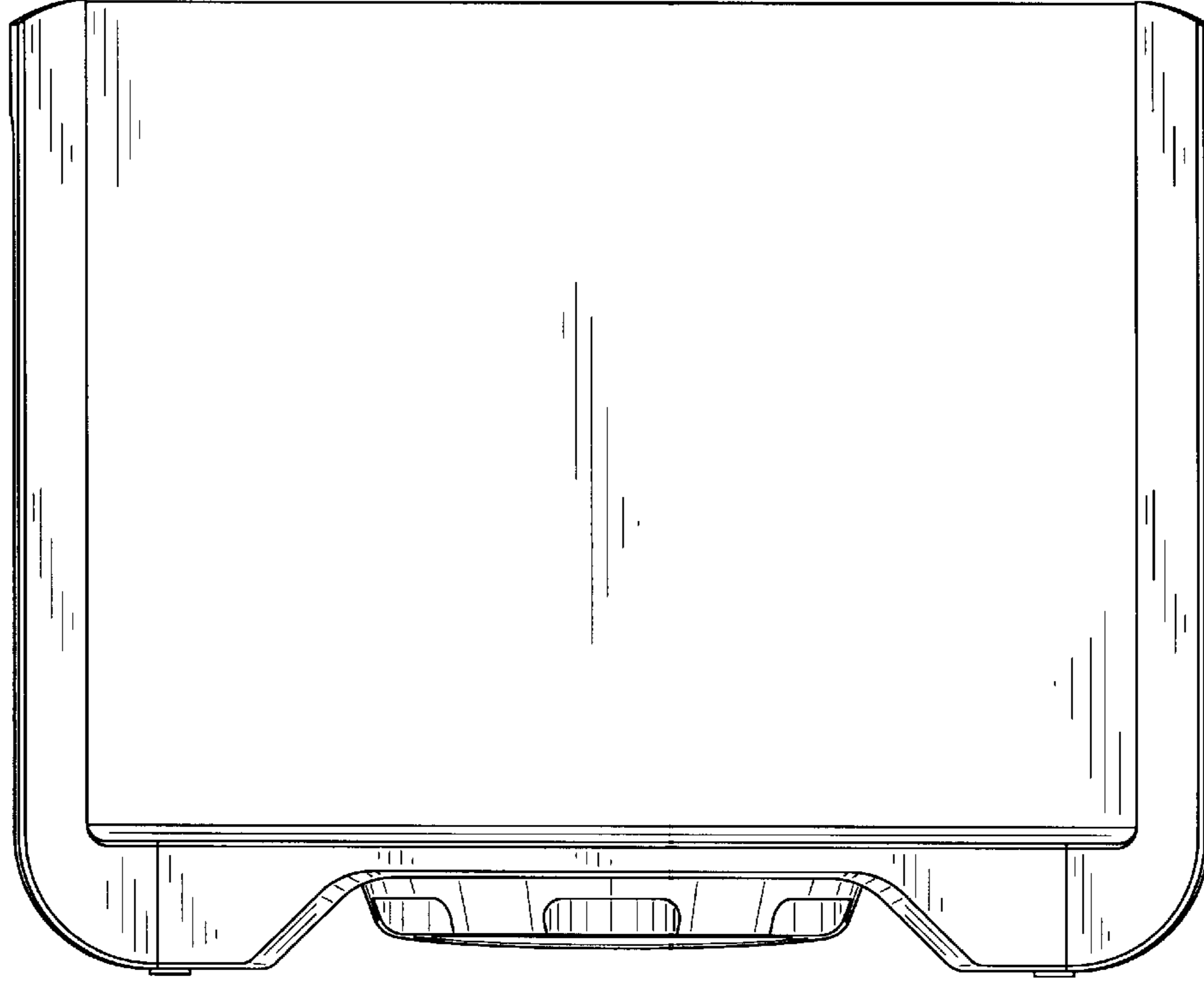


Fig.6

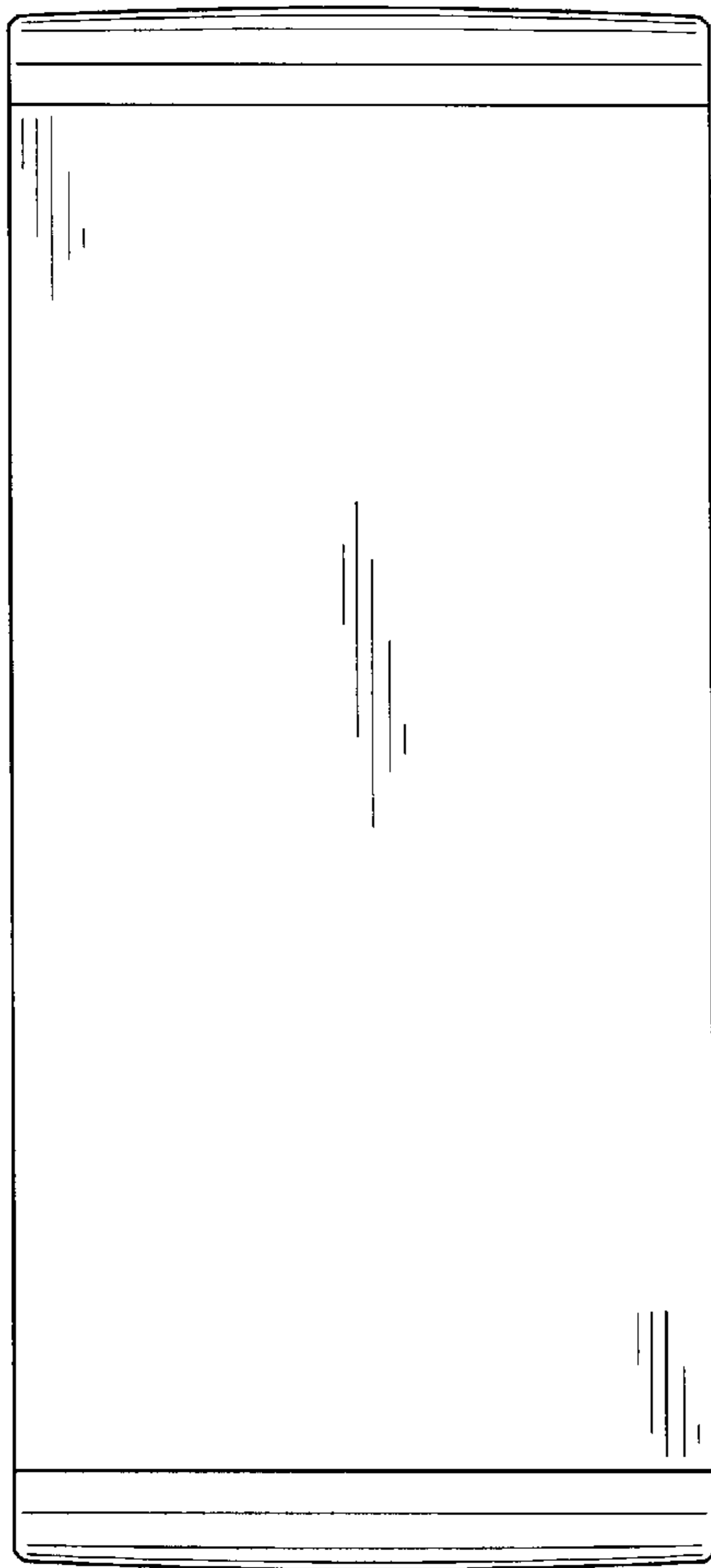


Fig.7

