



US00D512411S

(12) **United States Design Patent** (10) **Patent No.:** **US D512,411 S**
Christianson (45) **Date of Patent:** **** Dec. 6, 2005**

(54) **SPEAKER**

Primary Examiner—Nanda Bondade
(74) *Attorney, Agent, or Firm*—Bell, Boyd & Lloyd LLC

(75) **Inventor:** **Tristan M. Christianson**, San Francisco, CA (US)

(73) **Assignee:** **Sharper Image Corporation**, San Francisco, CA (US)

(57) **CLAIM**

The ornamental design for a speaker, as shown and described.

(**) **Term:** **14 Years**

(21) **Appl. No.:** **29/209,295**

DESCRIPTION

(22) **Filed:** **Jul. 14, 2004**

(51) **LOC (8) Cl.** **14-01**

FIG. 1 is a front perspective view of a speaker, showing my new design;

(52) **U.S. Cl.** **D14/211; D14/215**

FIG. 2 is a rear perspective view thereof;

(58) **Field of Search** D14/204, 207,

FIG. 3 is a front view thereof;

D14/209–216, 356; 181/143–144, 147–148,

FIG. 4 is a rear view thereof;

150, 157, 198–199, 151, 153; 381/300–302,

FIG. 5 is a top view thereof; and,

306, 333, 345, 361–364, 386–388, 332,

FIG. 6 is a right side view thereof.

336

The left side view is a mirror image of the right side view as shown in FIG. 6, and thus not shown.

(56) **References Cited**

The bottom view is flat and unornamented, and thus not shown.

U.S. PATENT DOCUMENTS

The portions shown in broken lines in FIGS. 1–6 are for illustrative purposes only and form no part of the claimed design.

D437,305 S * 2/2001 Dietz et al. D14/211

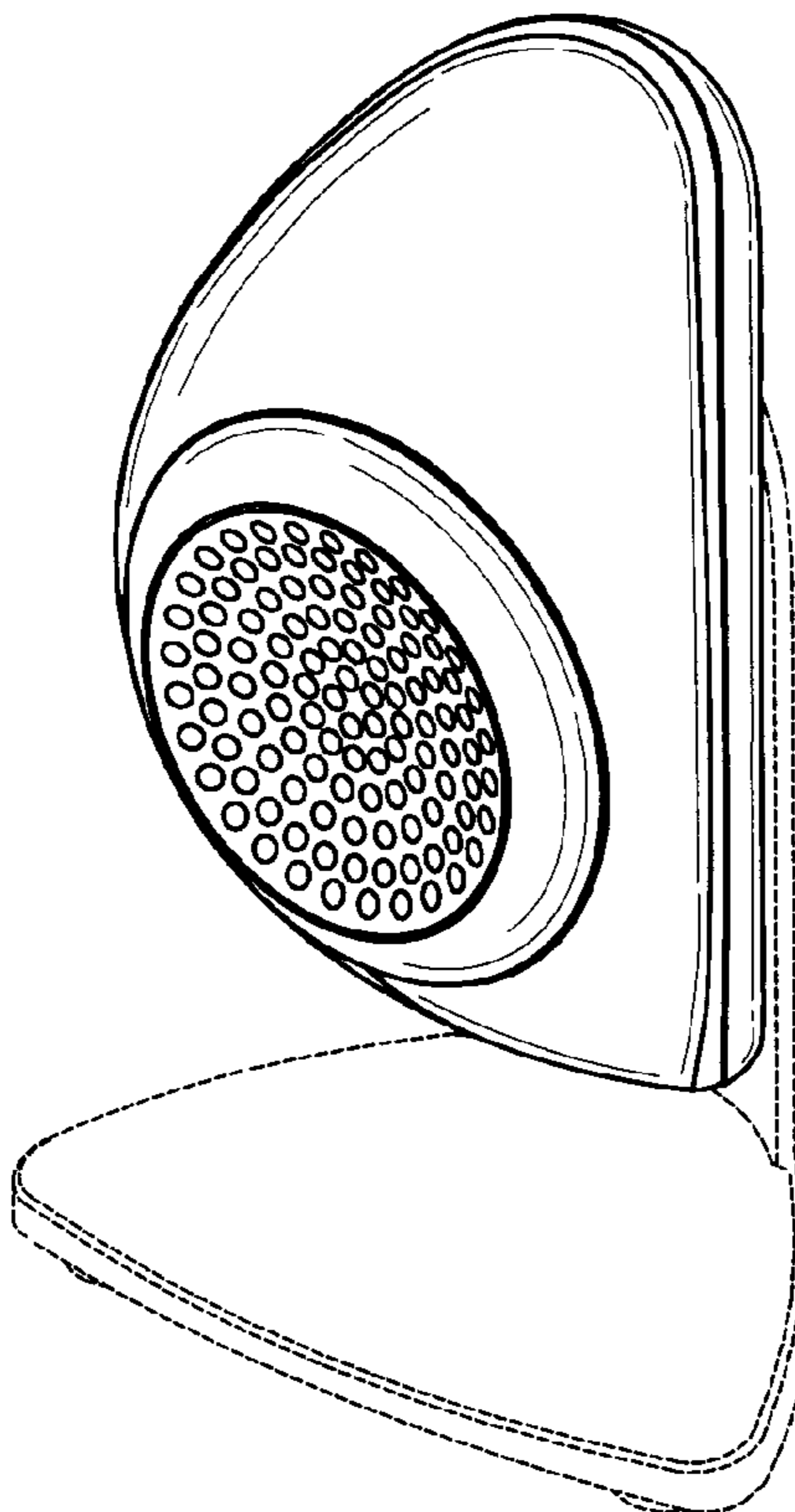
D448,753 S * 10/2001 Masui D14/214

D465,212 S * 11/2002 Lytel D14/215

D467,238 S * 12/2002 Hlas et al. D14/216

* cited by examiner

1 Claim, 3 Drawing Sheets



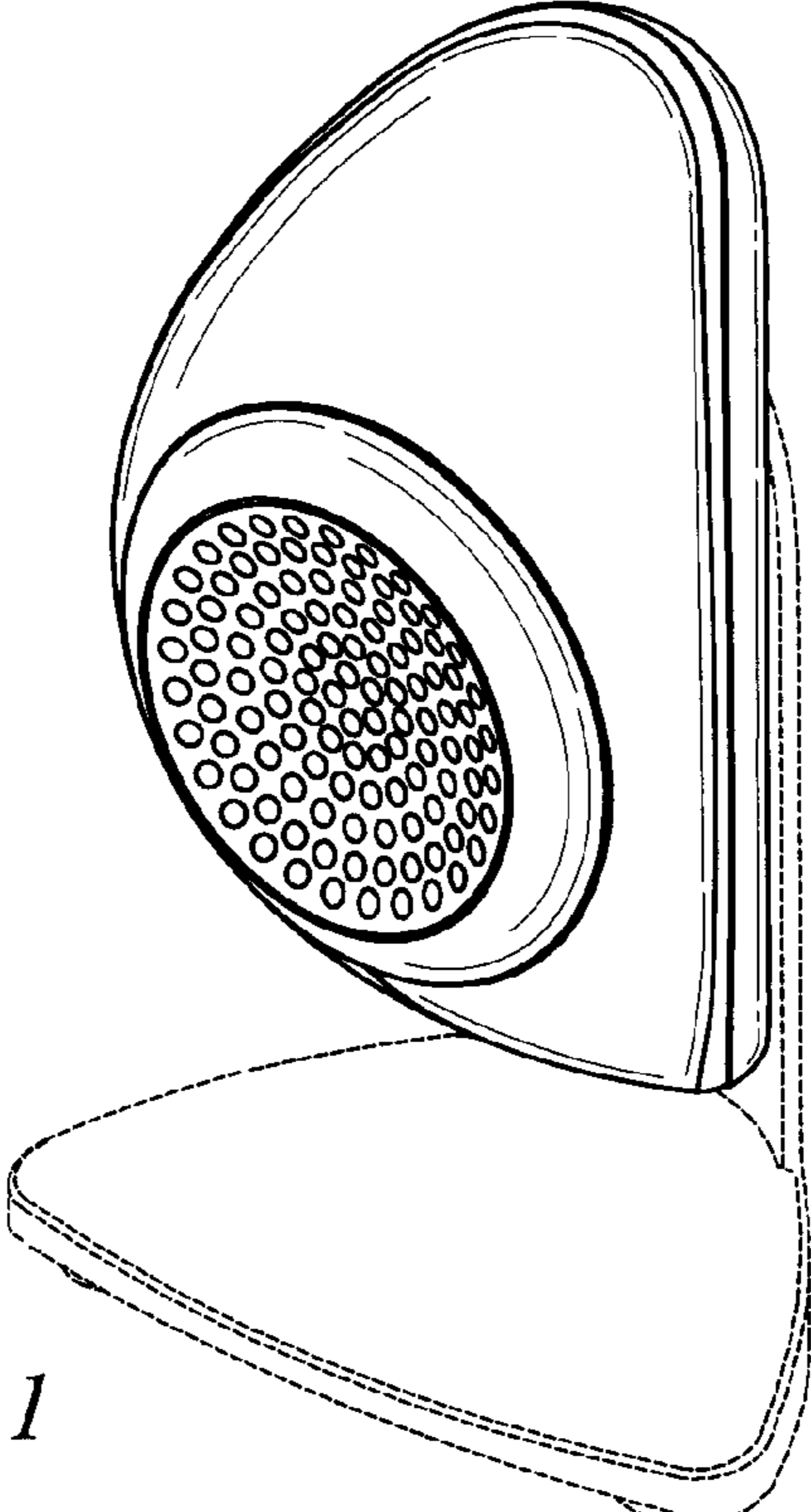


FIG. 1

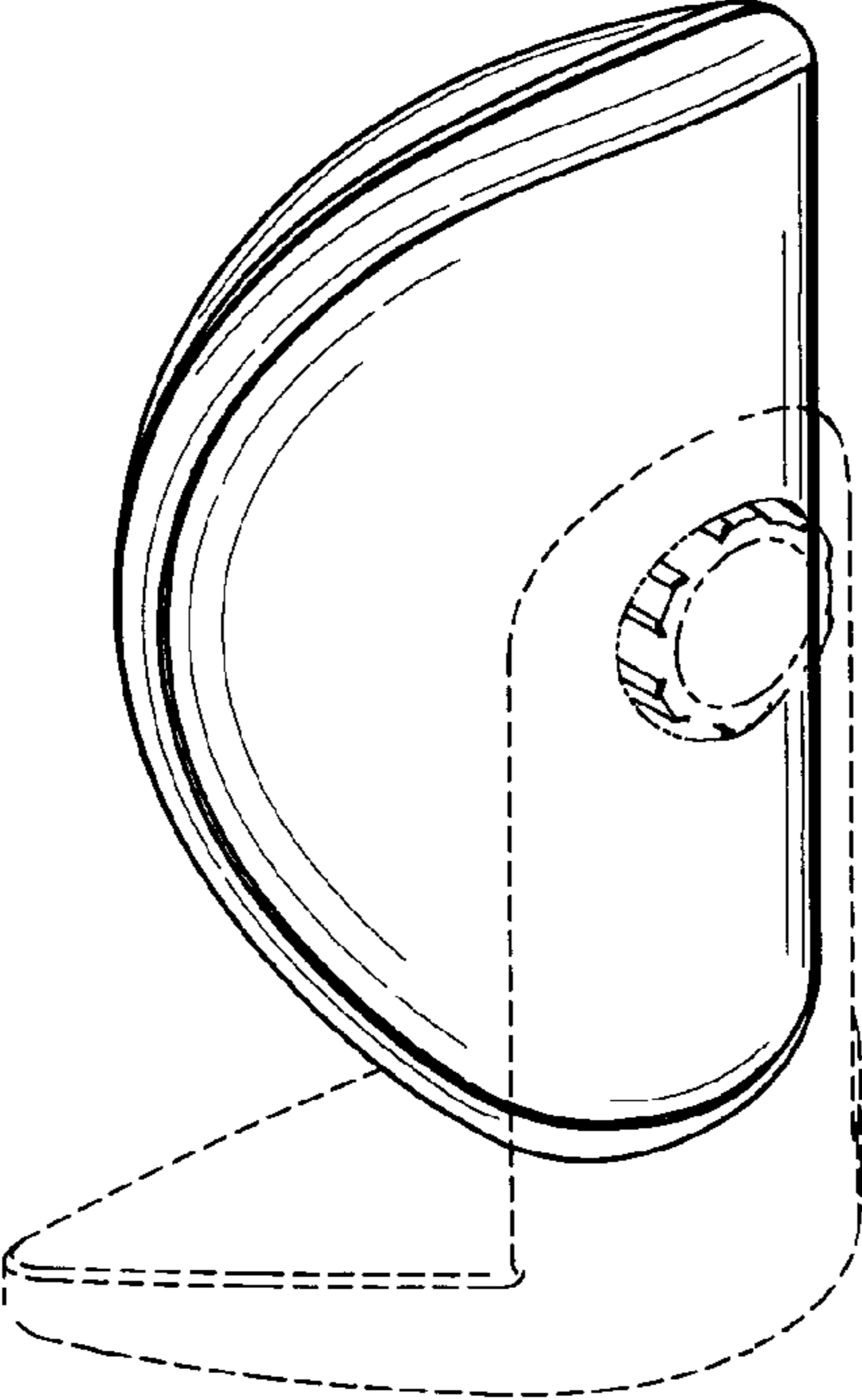


FIG. 2

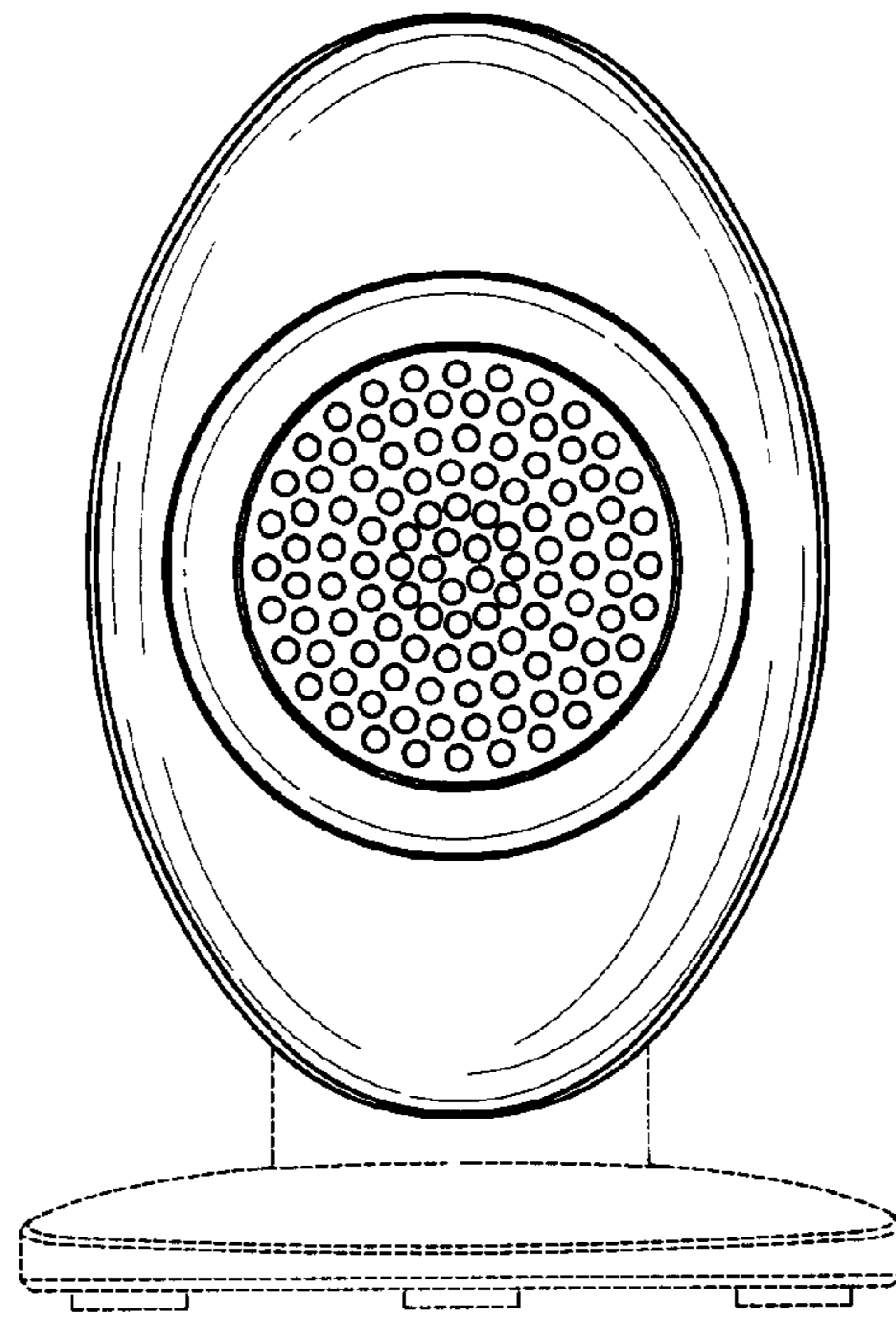


FIG. 3

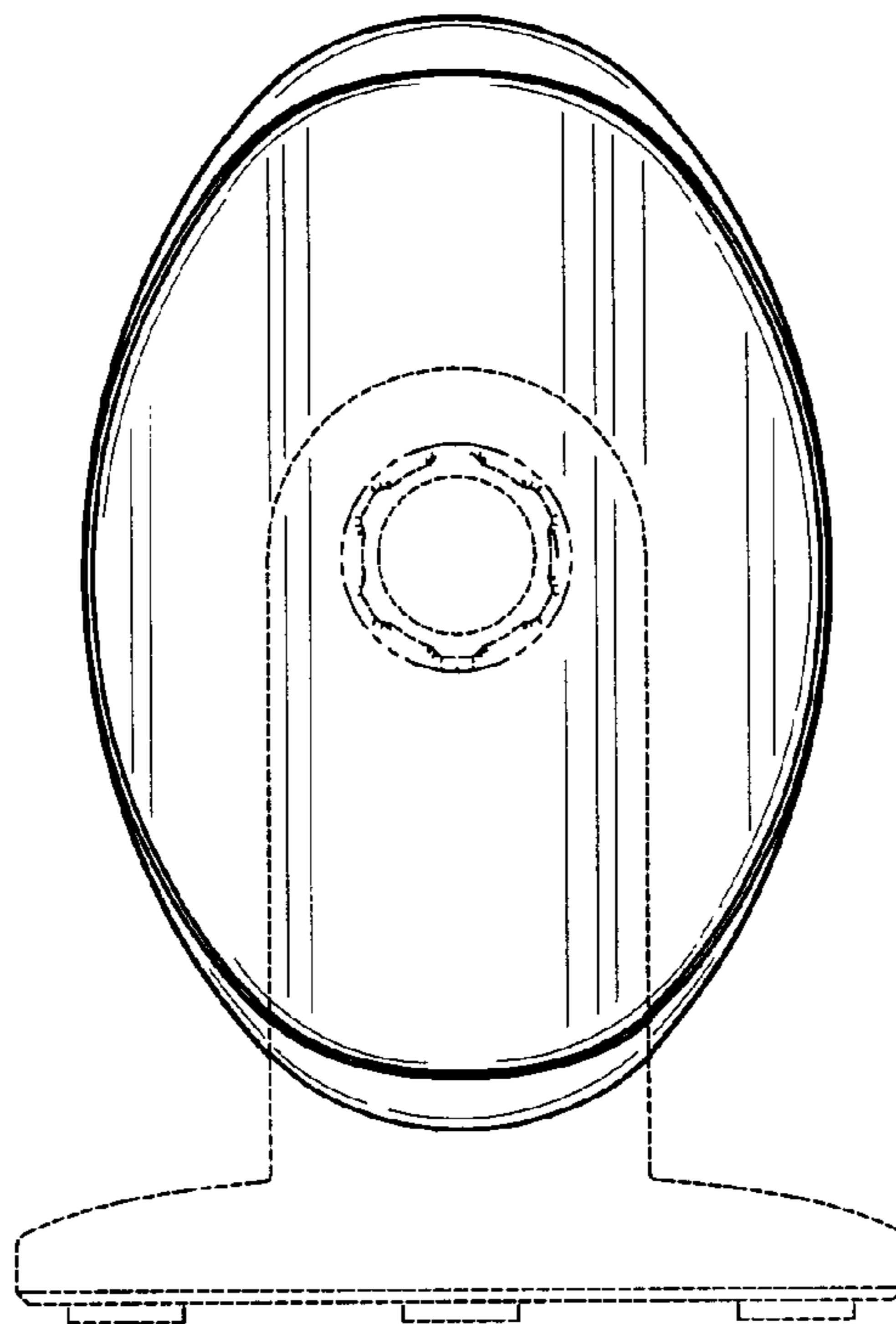


FIG. 4

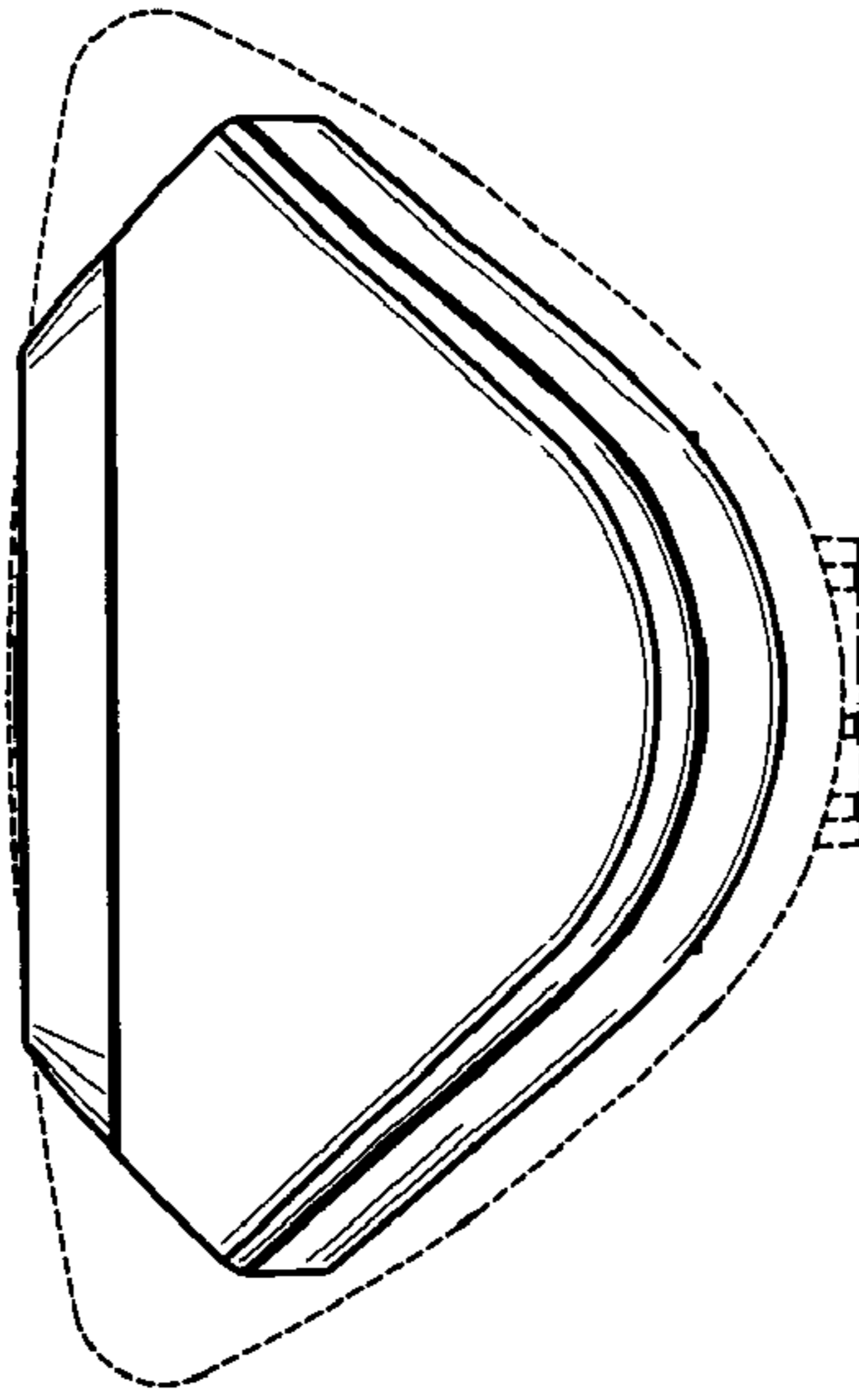


FIG. 5

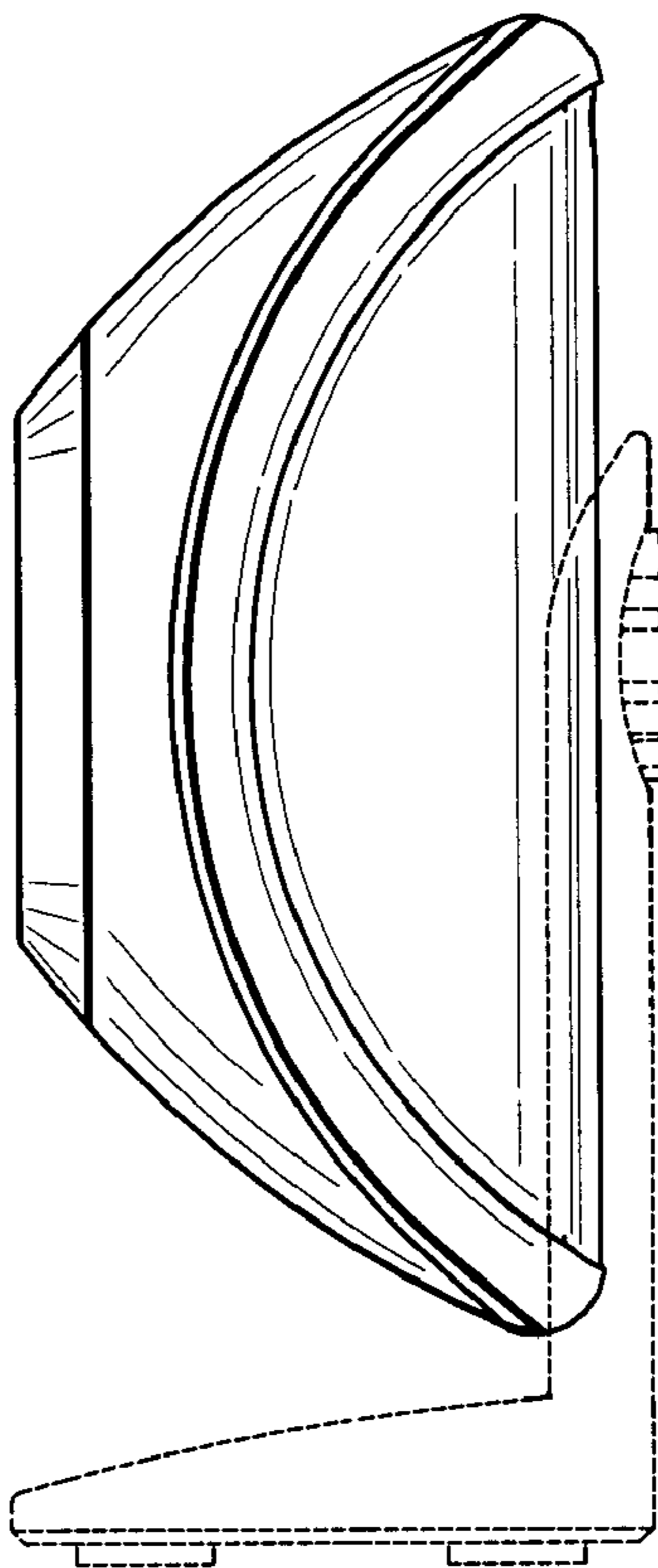


FIG. 6