



US00D512409S

(12) **United States Design Patent**
Ishizaki

(10) **Patent No.:** **US D512,409 S**
(45) **Date of Patent:** **** Dec. 6, 2005**

(54) **DIGITAL VIDEO DISC PLAYER EQUIPPED WITH MIXING FUNCTION**

(75) Inventor: **Hideaki Ishizaki, Tokyo (JP)**

(73) Assignee: **Pioneer Corporation, Tokyo (JP)**

(**) Term: **14 Years**

(21) Appl. No.: **29/199,758**

(22) Filed: **Feb. 20, 2004**

(30) **Foreign Application Priority Data**

Sep. 16, 2003 (JP) 2003-026929

(51) **LOC (8) Cl.** **14-01**

(52) **U.S. Cl.** **D14/168**

(58) **Field of Search** D14/135-136,
D14/156-157, 162, 167-168, 192-198,
188, 217, 257; 360/99.02, 99.07; 369/75.11,
75.21, 77.21, 77.11; 455/344, 347-351

(56) **References Cited**

U.S. PATENT DOCUMENTS

D343,622 S	*	1/1994	Hanke	D14/217
D349,290 S	*	8/1994	Christensen et al.	D14/217
D417,450 S	*	12/1999	Kurachi et al.	D14/156
D420,353 S	*	2/2000	Amai	D14/188
D421,011 S	*	2/2000	Natori	D14/168
D429,233 S	*	8/2000	Komiyama	D14/167
D454,552 S	*	3/2002	Nakane	D14/168
D454,855 S	*	3/2002	Nakane	D14/168

FOREIGN PATENT DOCUMENTS

JP	933 856	9/1995
JP	103 37 23	3/1999
JP	105 46 79	11/1999
JP	111 89 40	8/2001

OTHER PUBLICATIONS

Advertisement of CDJ-100S and DJM-300-S published before the priority date of Sep. 16, 2003.

Product Catalogue of Pioneer Corporation issued Sep. 2000.

Product Catalogue of Pioneer Corporation issued Mar. 2003.

* cited by examiner

Primary Examiner—Nanda Bondade

(74) *Attorney, Agent, or Firm*—Sughrue Mion, PLLC

(57) **CLAIM**

The ornamental design for a digital video disc player equipped with mixing function, as shown and described.

DESCRIPTION

FIG. 1 is a perspective view of the top, front and right side of a digital video disc player equipped with mixing function showing my new design;

FIG. 2 is a top plan view thereof;

FIG. 3 is a bottom plan view thereof;

FIG. 4 is a left side elevational view thereof;

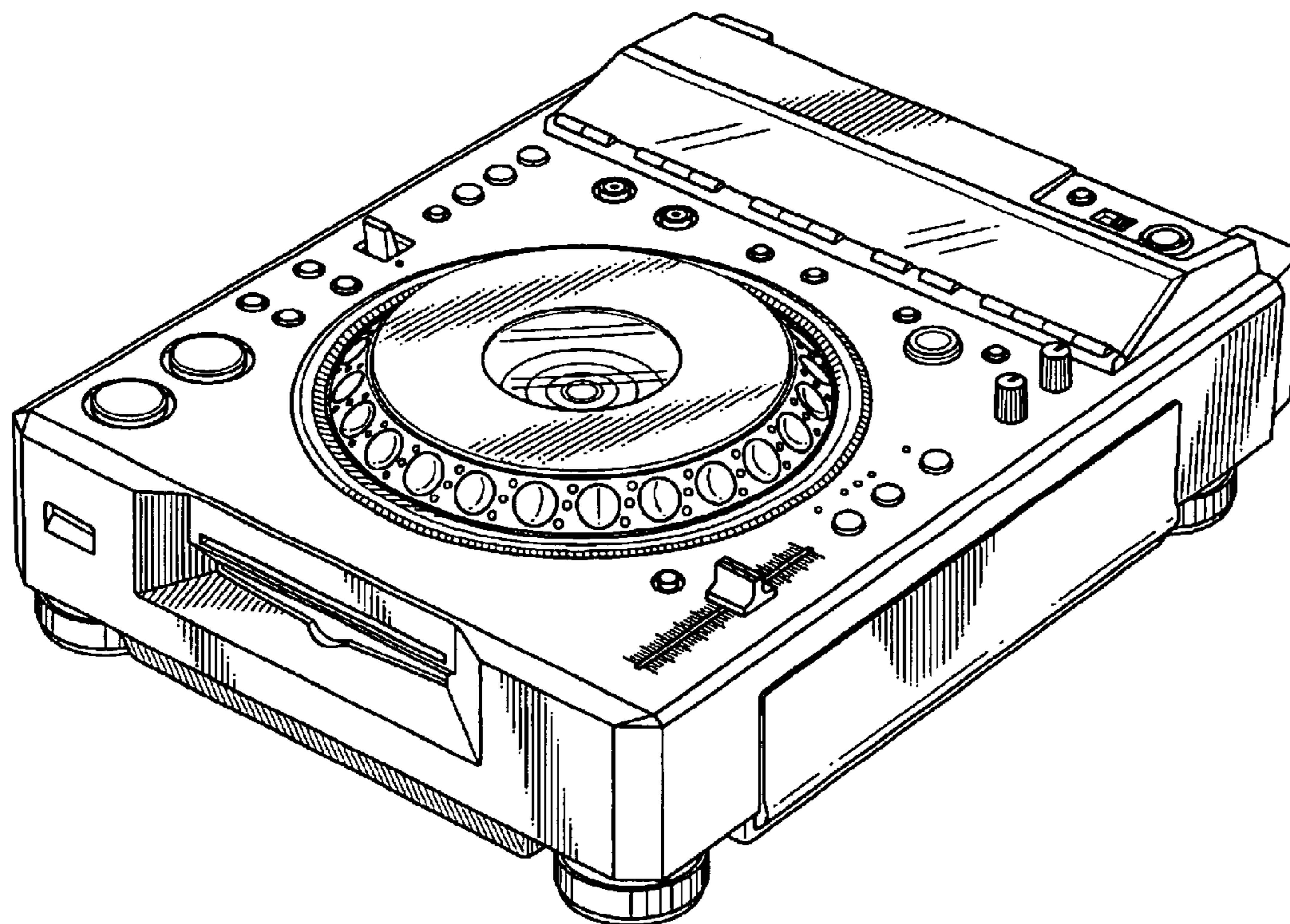
FIG. 5 is a right side elevational view thereof;

FIG. 6 is a rear elevational view thereof;

FIG. 7 is a front elevational view thereof; and,

FIG. 8 is a top reference plan view with the power turned on.

1 Claim, 6 Drawing Sheets



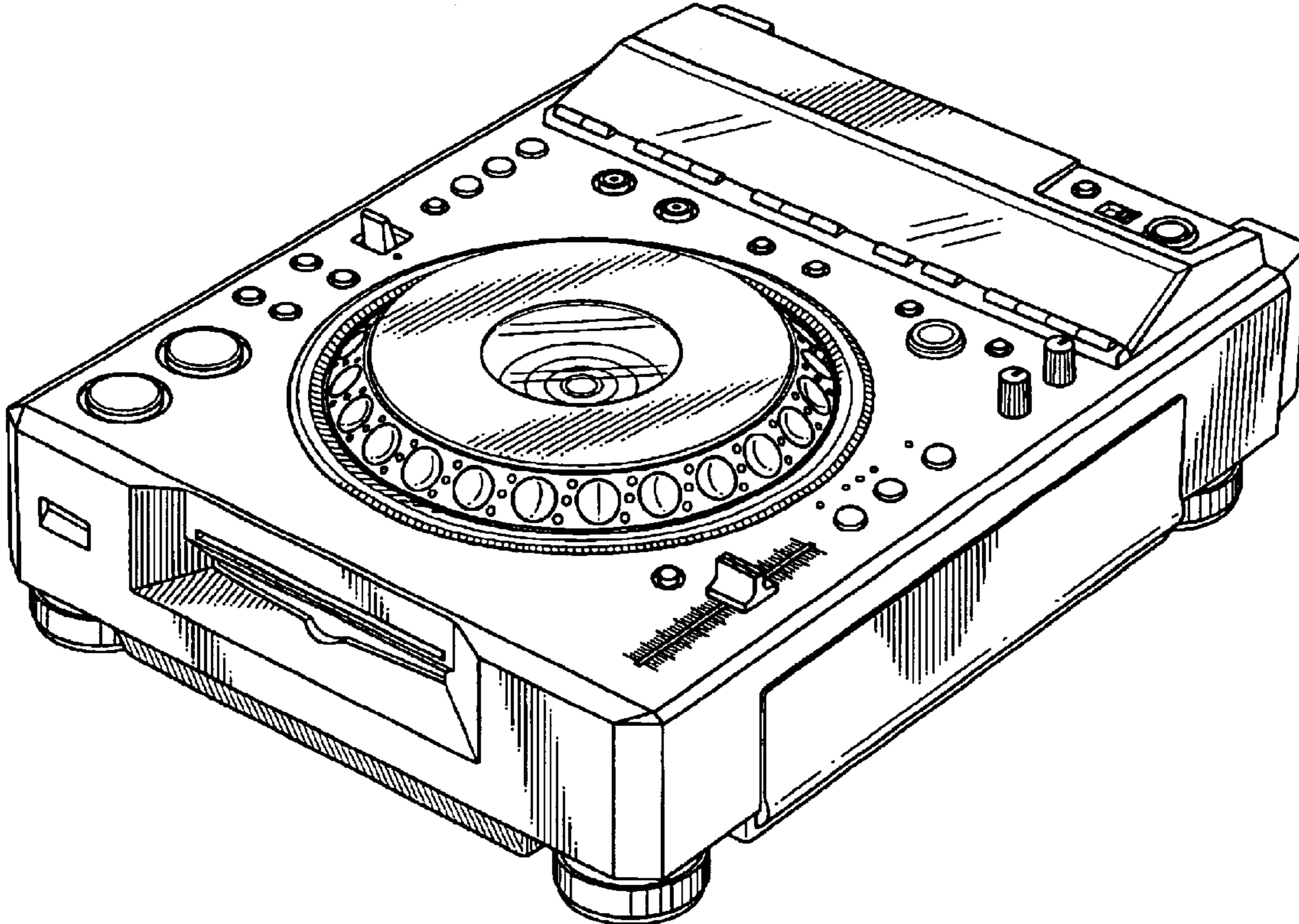


FIG. 1

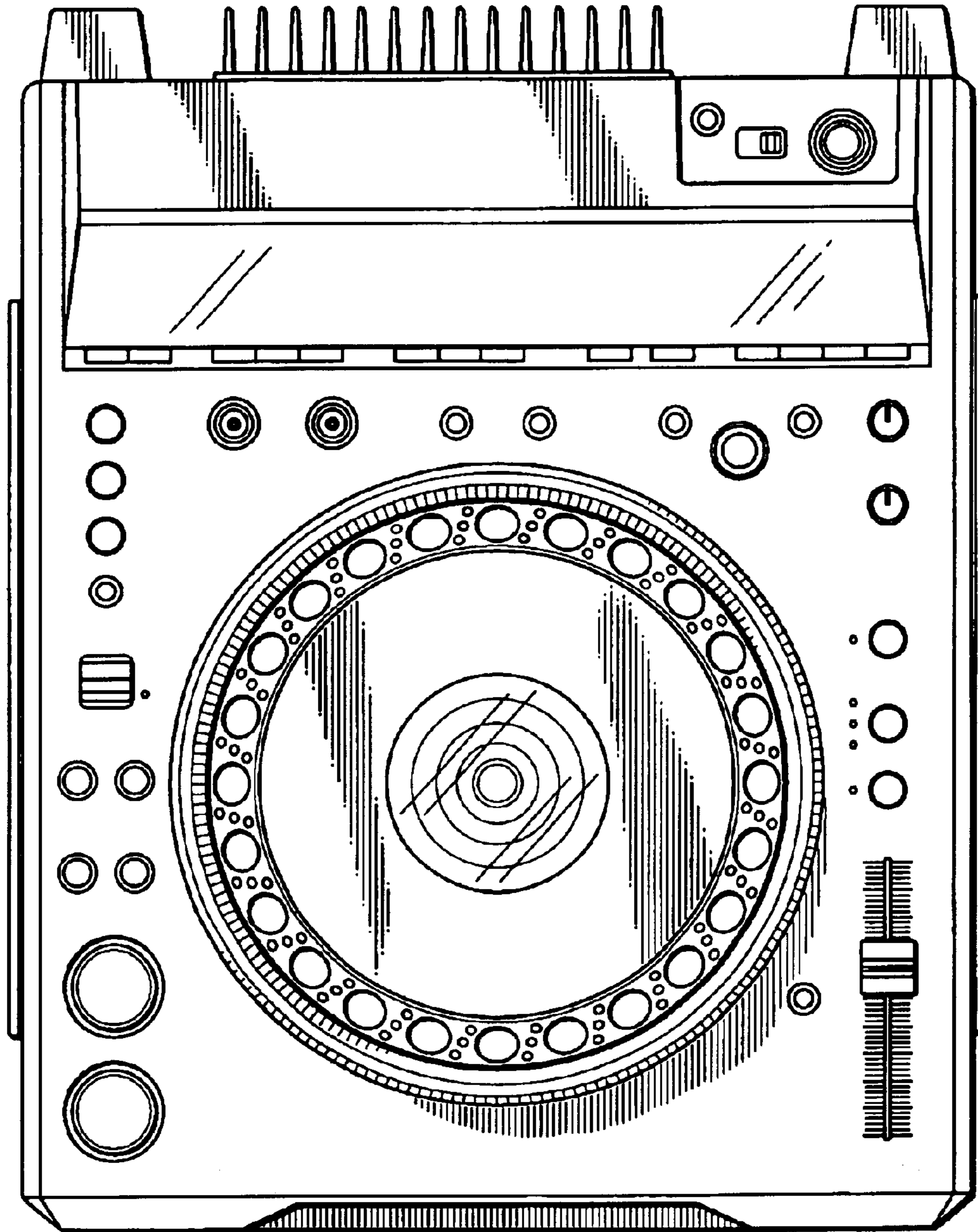


FIG. 2

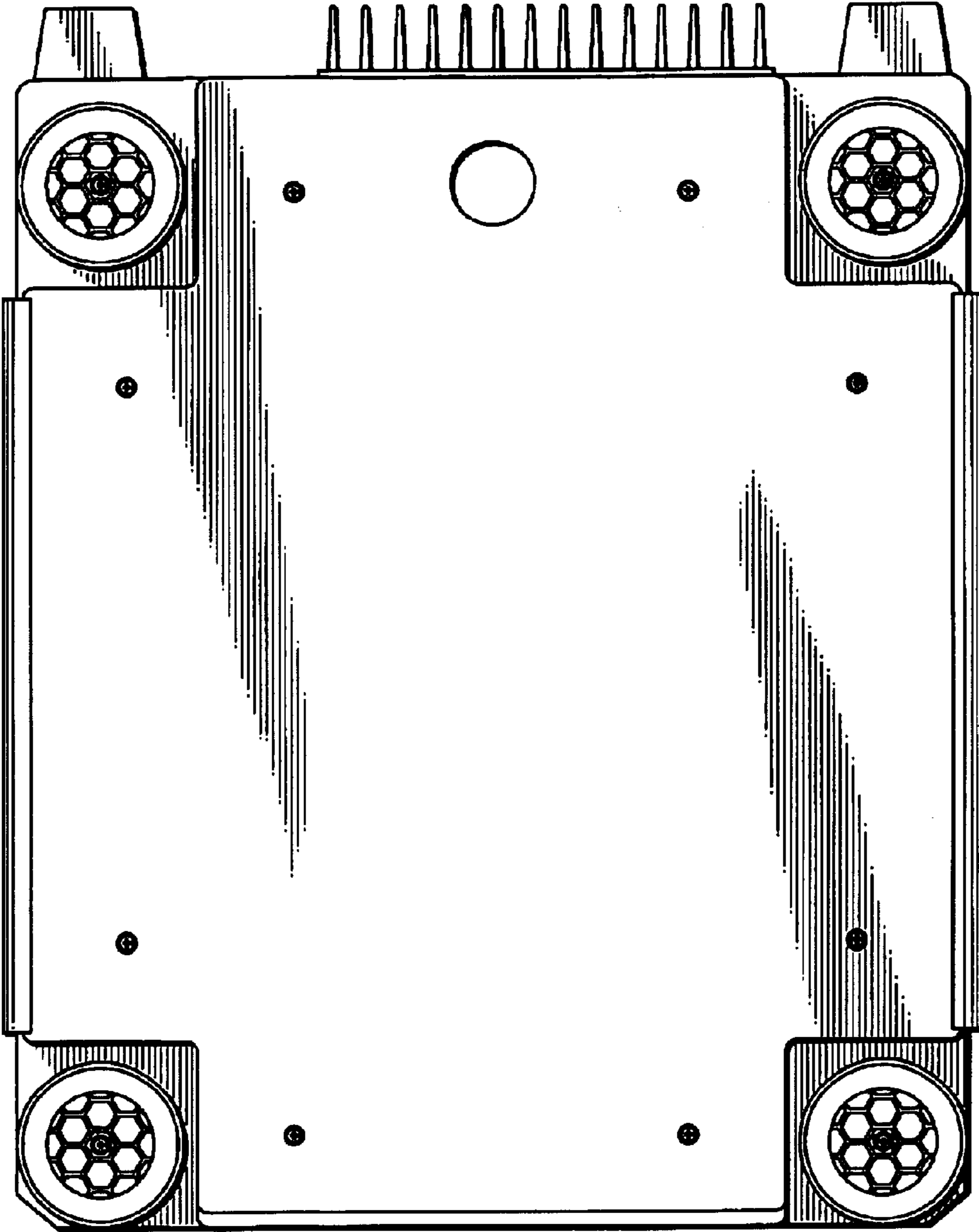


FIG. 3

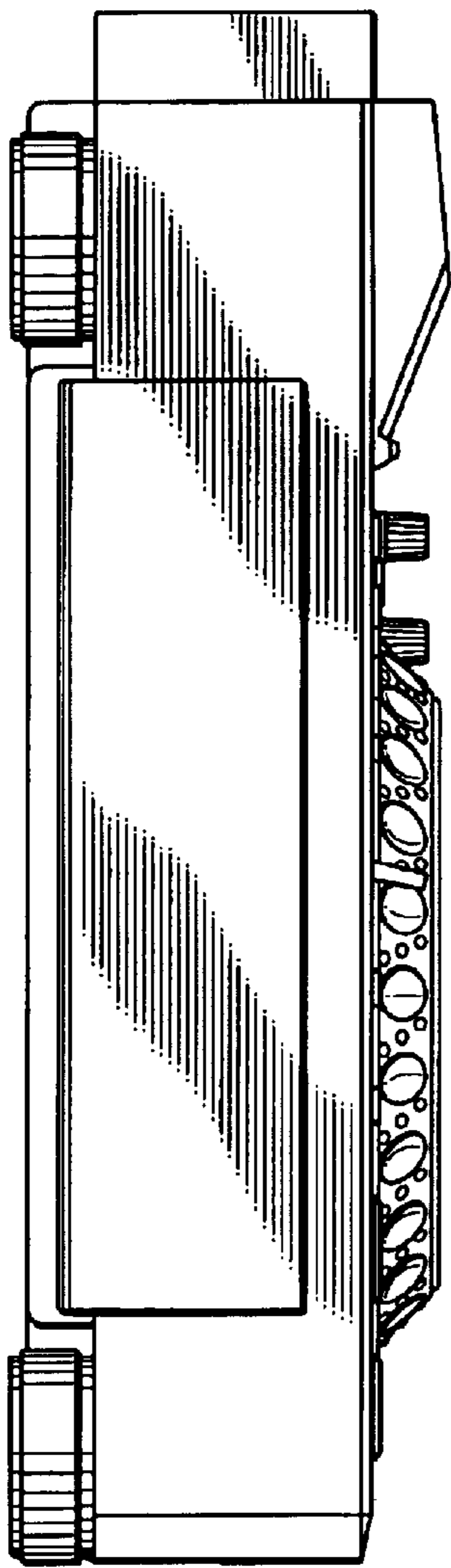


FIG. 4

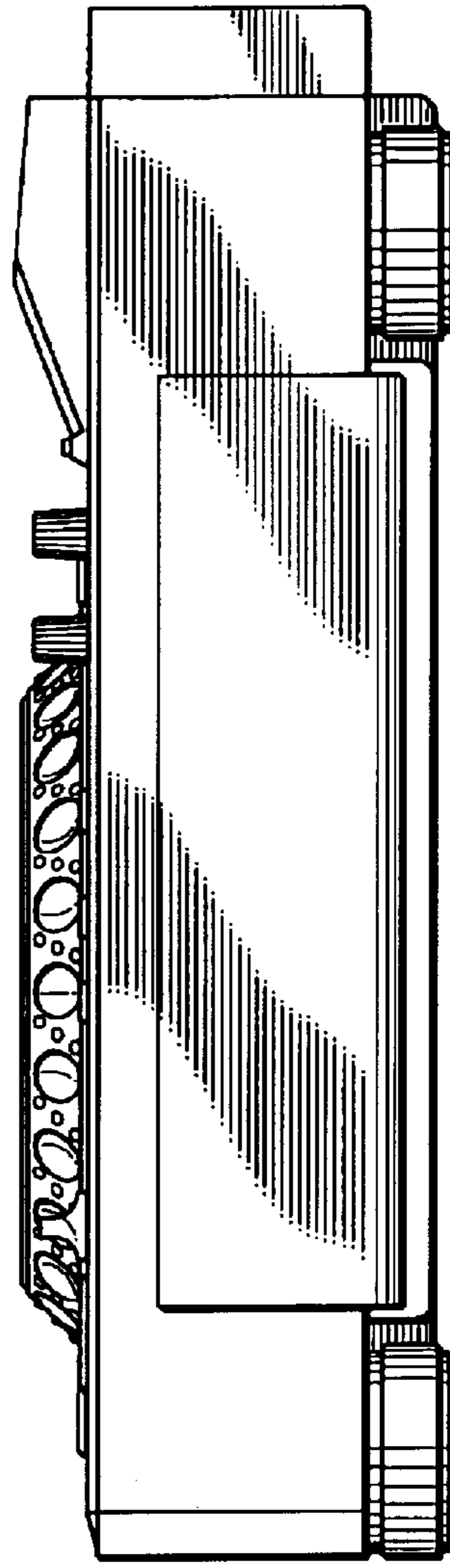


FIG. 5

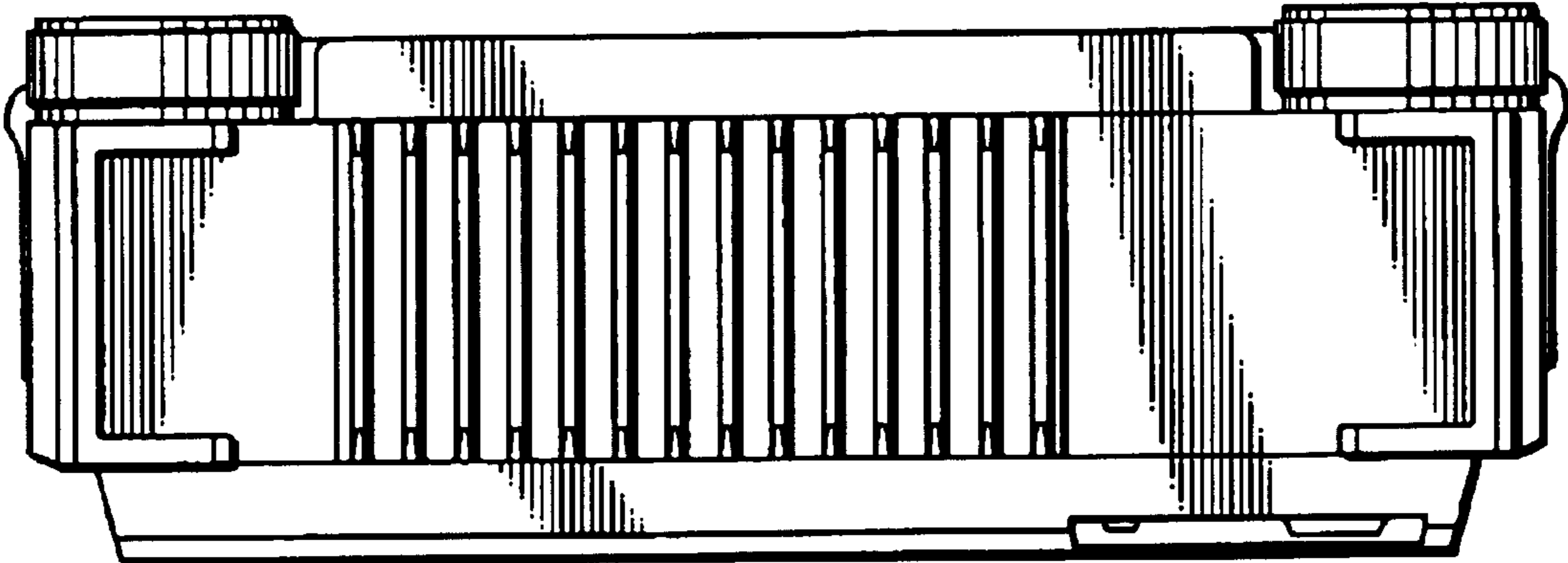


FIG. 6

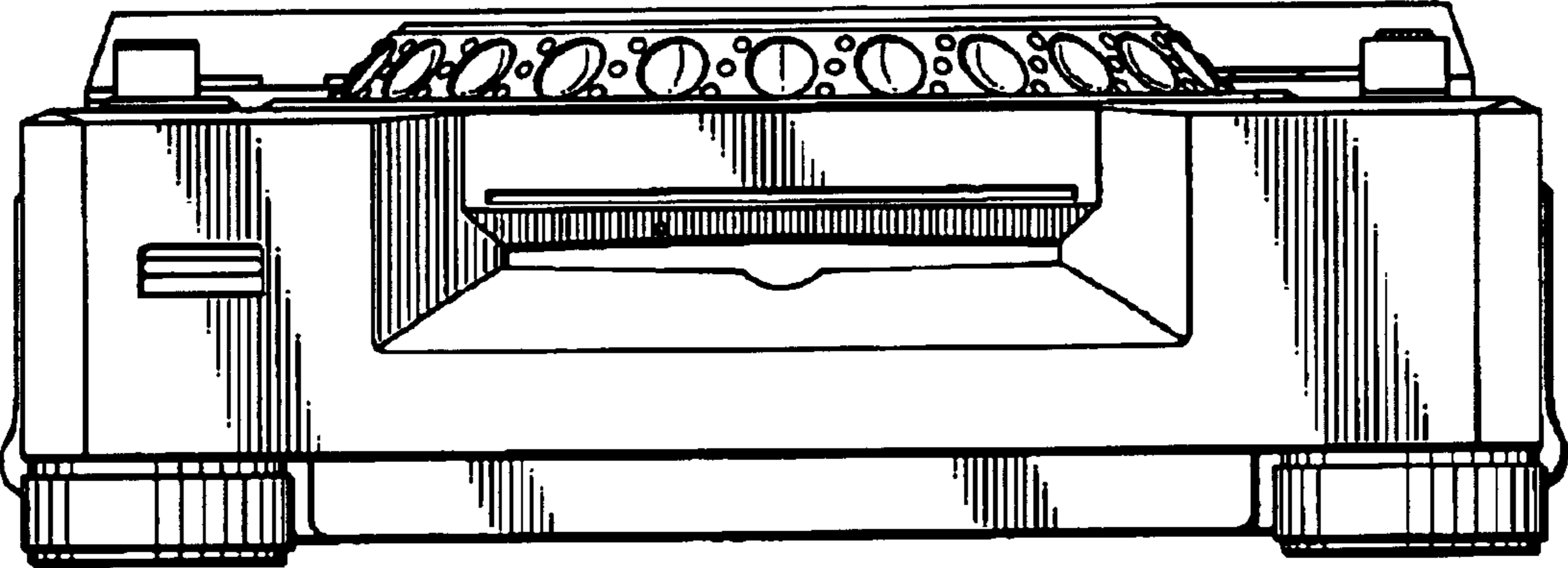


FIG. 7

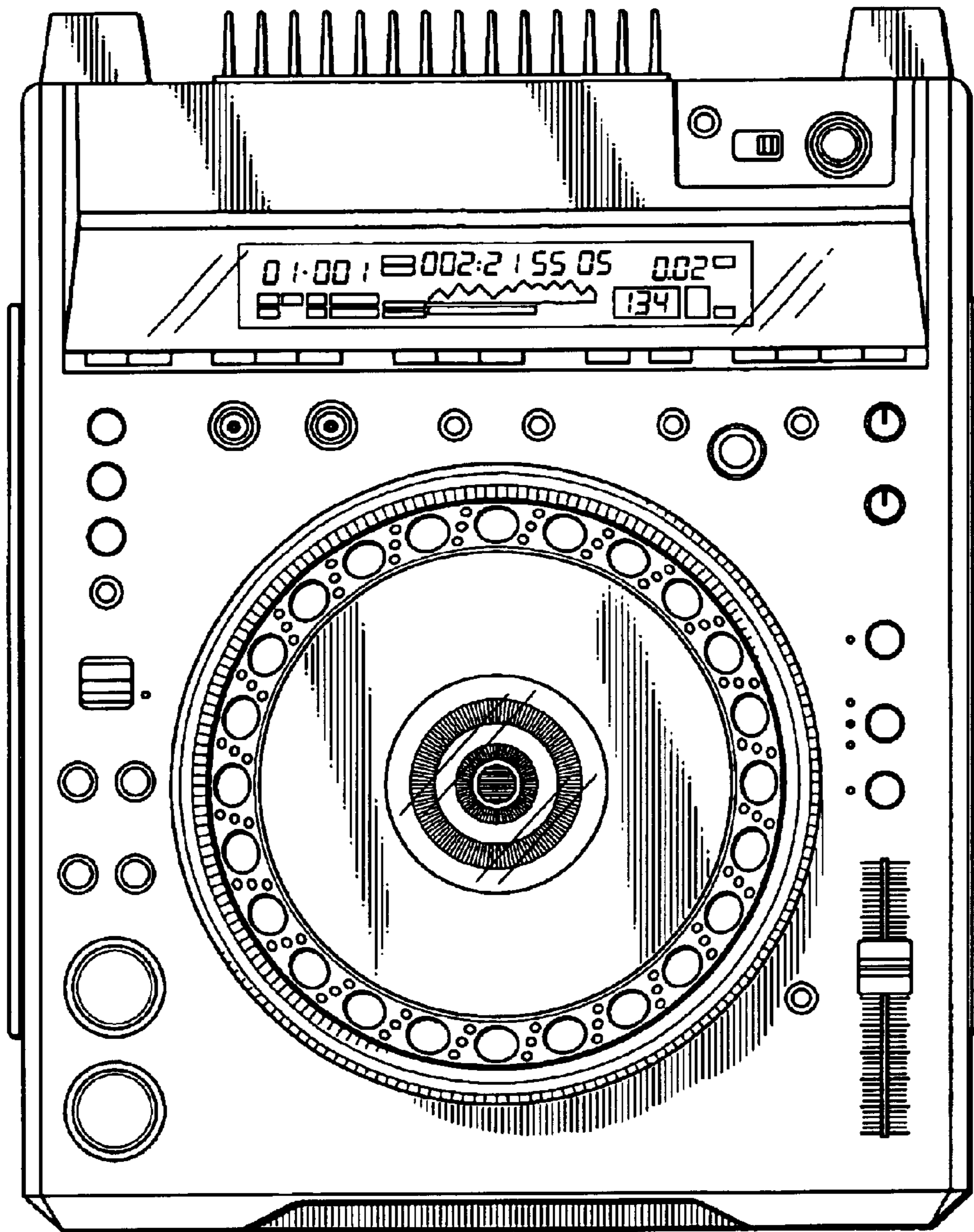


FIG. 8