



US00D512403S

(12) **United States Design Patent**
Yang

(10) **Patent No.:** **US D512,403 S**
(45) **Date of Patent:** **** Dec. 6, 2005**

(54) **MP3 PLAYER**
(75) **Inventor:** **Deok-Joon Yang, Seoul (KR)**
(73) **Assignee:** **Reigncom Ltd., Seoul (KR)**
(**) **Term:** **14 Years**

D490,068 S * 5/2004 Chen D14/156
D491,911 S * 6/2004 Jung D14/156
6,769,603 B2 * 8/2004 Nagai et al. 235/375
6,791,907 B2 * 9/2004 Berhan 369/7
6,795,318 B2 * 9/2004 Haas et al. 361/729
6,795,381 B2 * 9/2004 Ando et al. 369/30.03
D497,606 S * 10/2004 Yang D14/156
D500,298 S * 12/2004 Yang D14/156

(21) **Appl. No.:** **29/208,707**
(22) **Filed:** **Jul. 1, 2004**

* cited by examiner

(30) **Foreign Application Priority Data**

Jan. 5, 2004 (KR) 30-2004-0000118

Primary Examiner—Prabhakar Deshmukh
(74) *Attorney, Agent, or Firm*—Lee, Hong, Degerman,
Kang & Schmadeka

(51) **LOC (8) Cl.** **14-01**
(52) **U.S. Cl.** **D14/156; D14/496**
(58) **Field of Search** D14/135, 156,
D14/157, 136, 167, 168, 496; 273/148 B;
D21/332, 333, 324, 329; 455/344-351;
369/75.1, 75.2, 77.1, 77.2; 345/156-158,
903, 905

(57) **CLAIM**

The ornamental design for a MP3 player, as shown and described.

(56) **References Cited**

U.S. PATENT DOCUMENTS

5,265,083 A * 11/1993 Ishii et al. 720/605
5,719,799 A * 2/1998 Isashi 708/105
D452,250 S * 12/2001 Chan D14/496
D486,813 S * 2/2004 Chun D14/156

DESCRIPTION

FIG. 1 is a front perspective view of an embodiment of a MP3 player;
FIG. 2 is a front elevational view thereof;
FIG. 3 is a rear elevational view thereof;
FIG. 4 is a first side elevational view thereof;
FIG. 5 is a second side elevational view thereof;
FIG. 6 is a top plan view thereof; and,
FIG. 7 is a bottom plan view thereof.

1 Claim, 6 Drawing Sheets

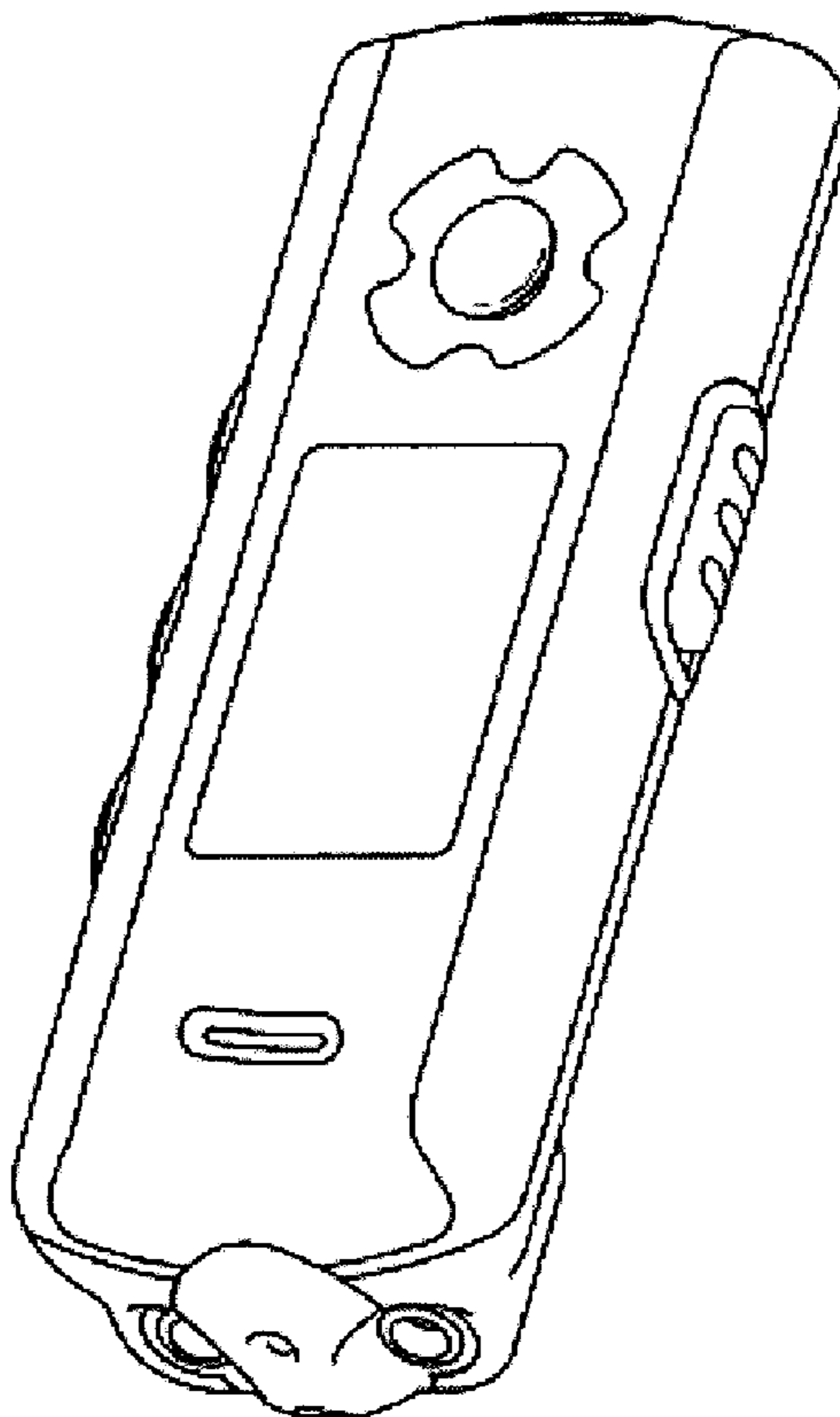


FIG. 1

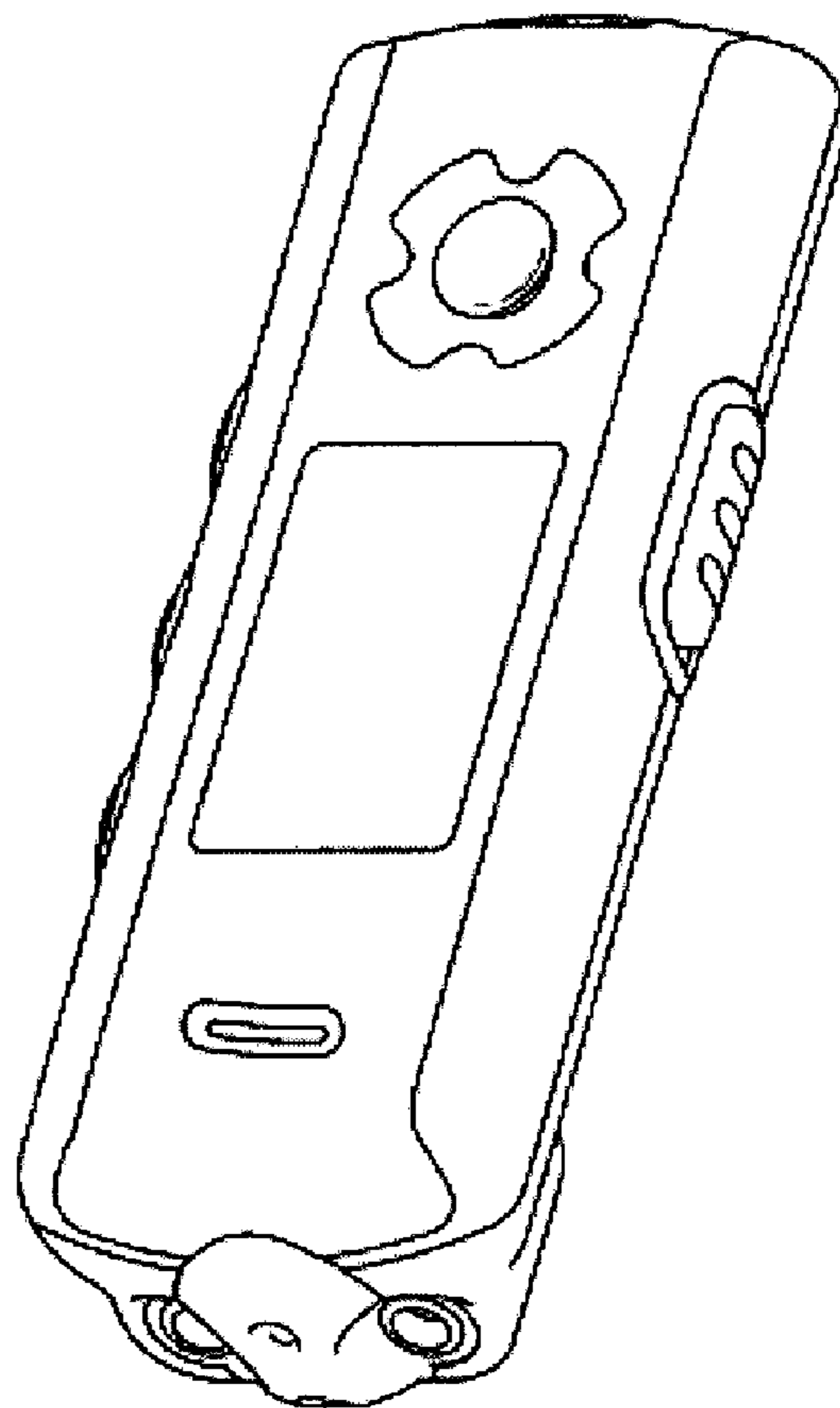


FIG. 2

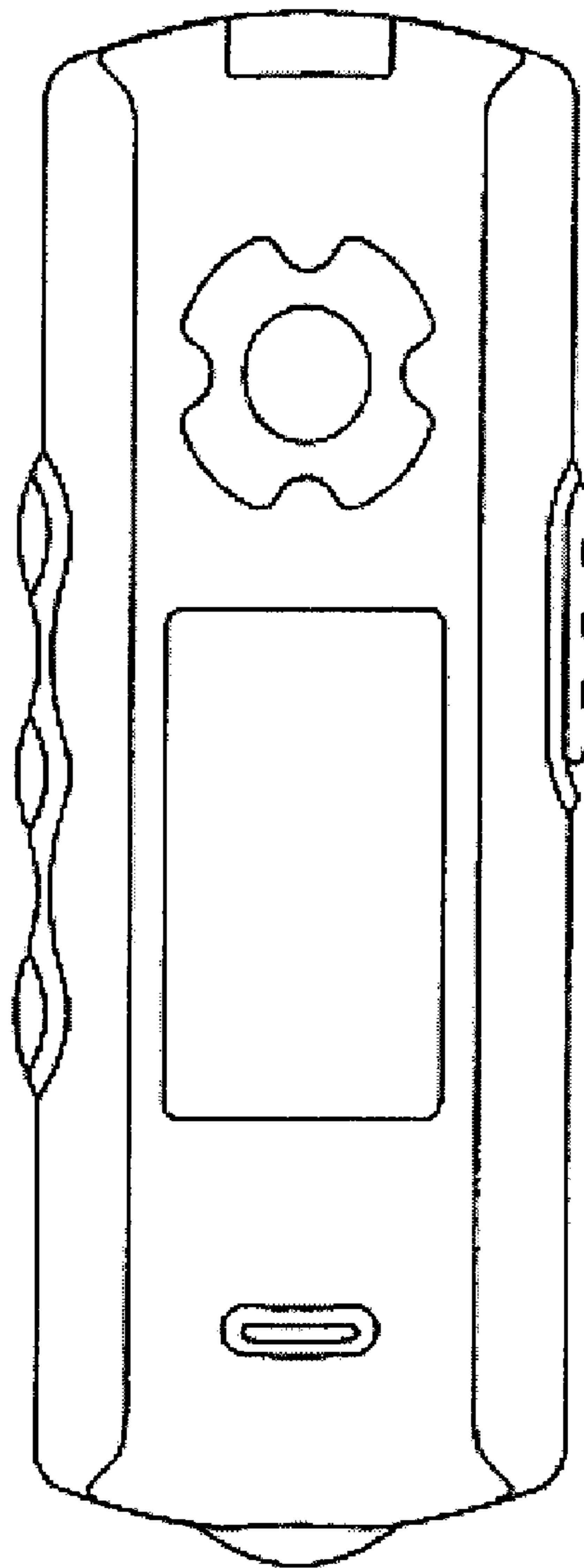


FIG. 3

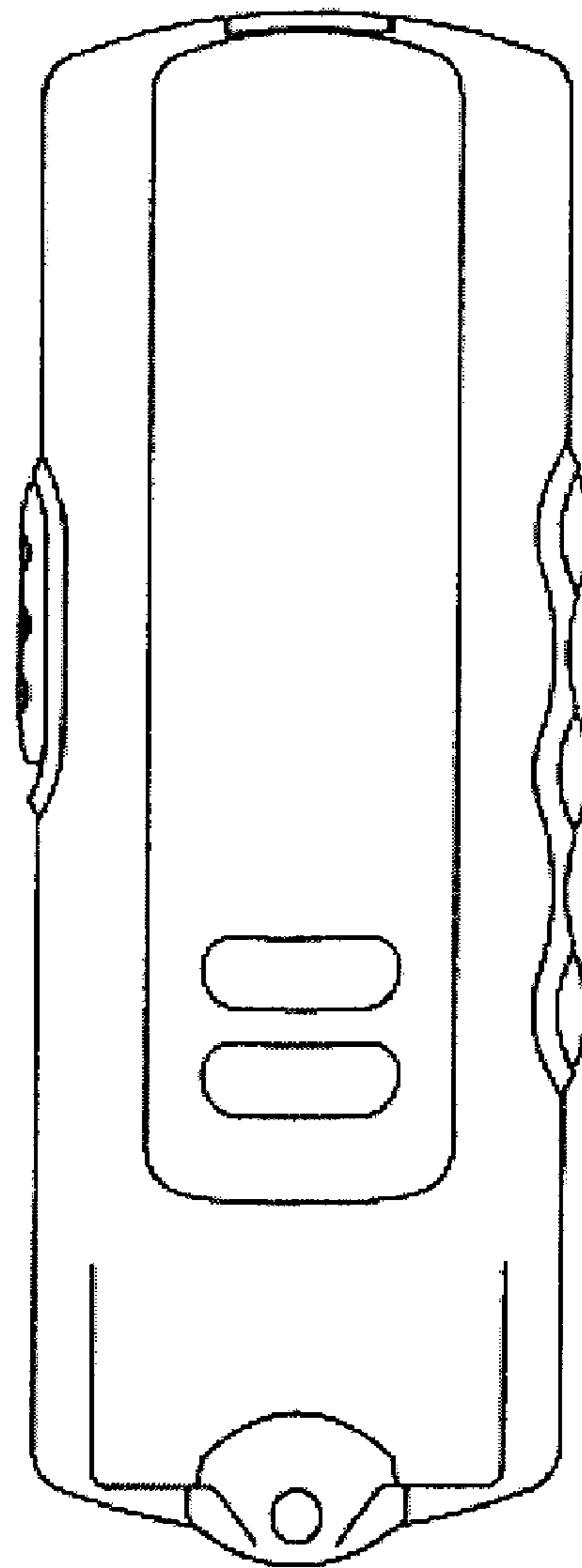


FIG. 4

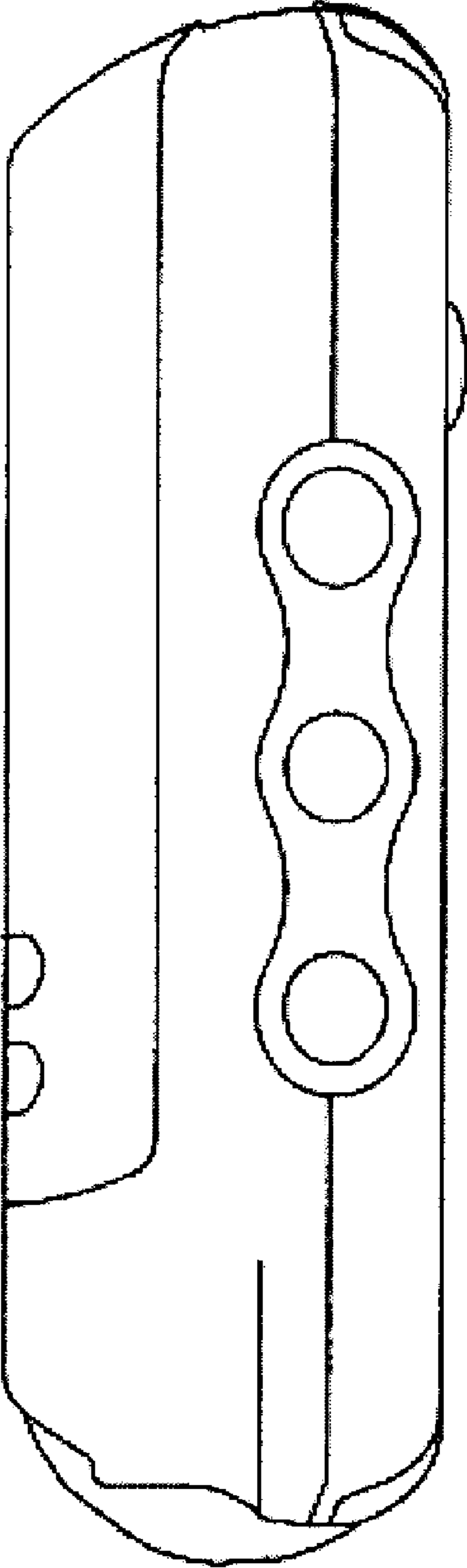


FIG. 5

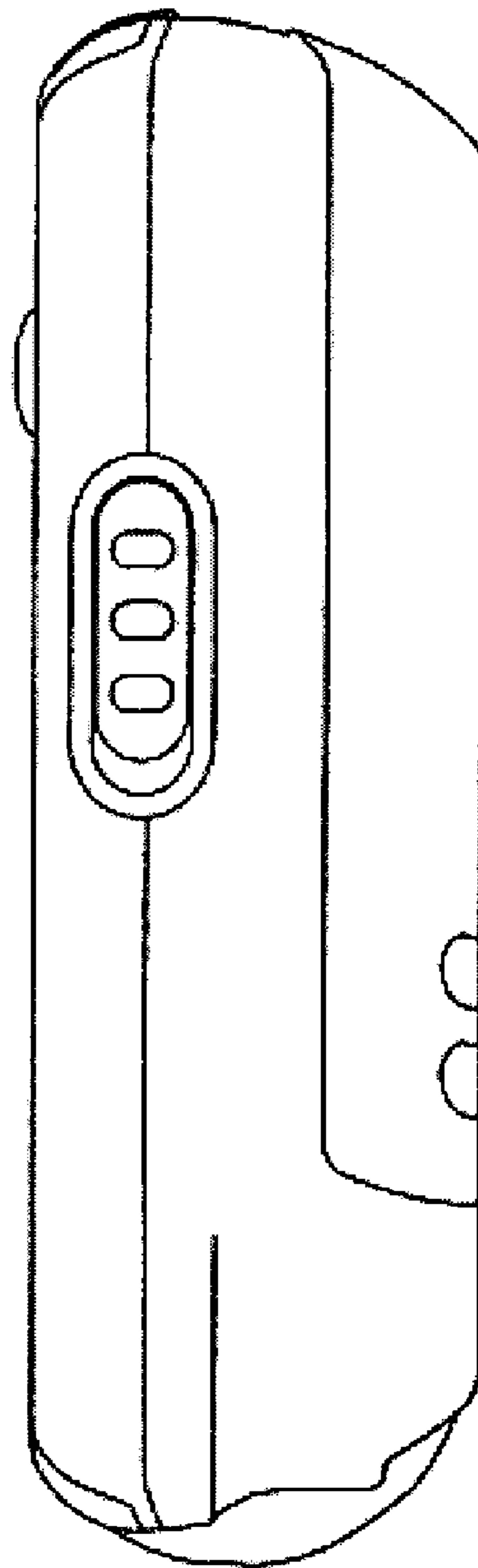


FIG. 6

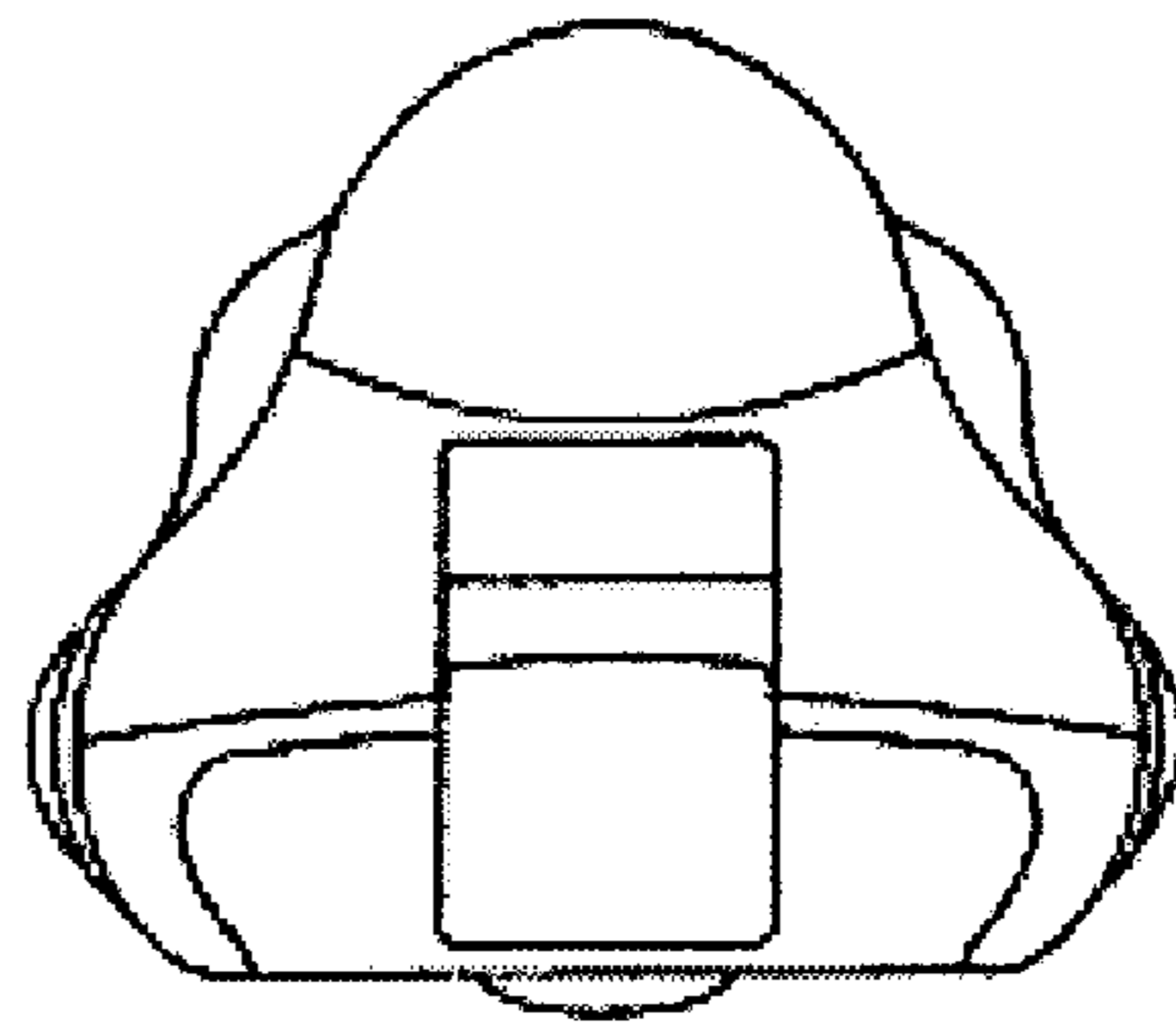


FIG. 7

