



US00D512401S

(12) **United States Design Patent**  
**Zeitman**

(10) **Patent No.:** **US D512,401 S**

(45) **Date of Patent:** **\*\* Dec. 6, 2005**

(54) **PERSONAL CD PLAYER**

D466,490 S \* 12/2002 Zeitman ..... D14/156  
D470,831 S \* 2/2003 Zeitman ..... D14/156  
D491,549 S \* 6/2004 Zeitman ..... D14/156

(75) **Inventor:** **Josh Zeitman**, Brooklyn, NY (US)

\* cited by examiner

(73) **Assignee:** **Lennox Electronics Corp.**, Brooklyn, NY (US)

*Primary Examiner*—Nanda Bondade

(\*\*) **Term:** **14 Years**

(74) *Attorney, Agent, or Firm*—Burns Doane Swecker & Mathis

(21) **Appl. No.:** **29/197,466**

(57) **CLAIM**

(22) **Filed:** **Jan. 16, 2004**

The ornamental design for a “personal CD player”, as shown and described.

(51) **LOC (8) Cl.** ..... **14-01**

(52) **U.S. Cl.** ..... **D14/156**

(58) **Field of Search** ..... D14/135–136,  
D14/156–157, 160–165, 167–168, 192–198,  
217; 455/347–351; 369/75.1, 75.2, 77.1,  
77.2

**DESCRIPTION**

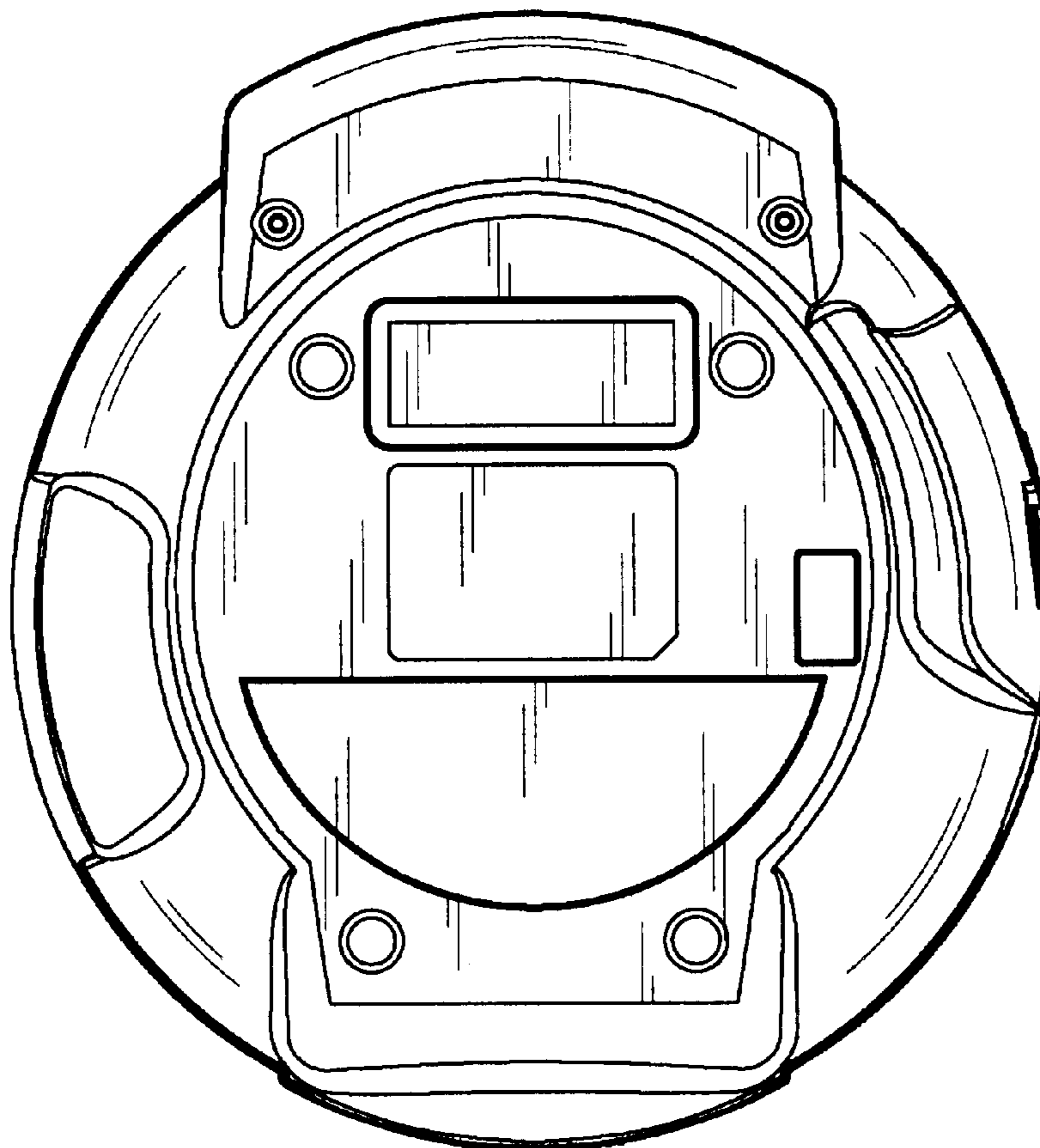
FIG. 1 is a top view of a “personal CD player” showing my design;  
FIG. 2 is a bottom view thereof;  
FIG. 3 is a left side view thereof;  
FIG. 4 is a right side view thereof;  
FIG. 5 is a rear view thereof; and,  
FIG. 6 is a front view thereof.

(56) **References Cited**

**U.S. PATENT DOCUMENTS**

D376,800 S \* 12/1996 Shudo ..... D14/197  
D400,876 S \* 11/1998 Masamitsu ..... D14/156

**1 Claim, 2 Drawing Sheets**



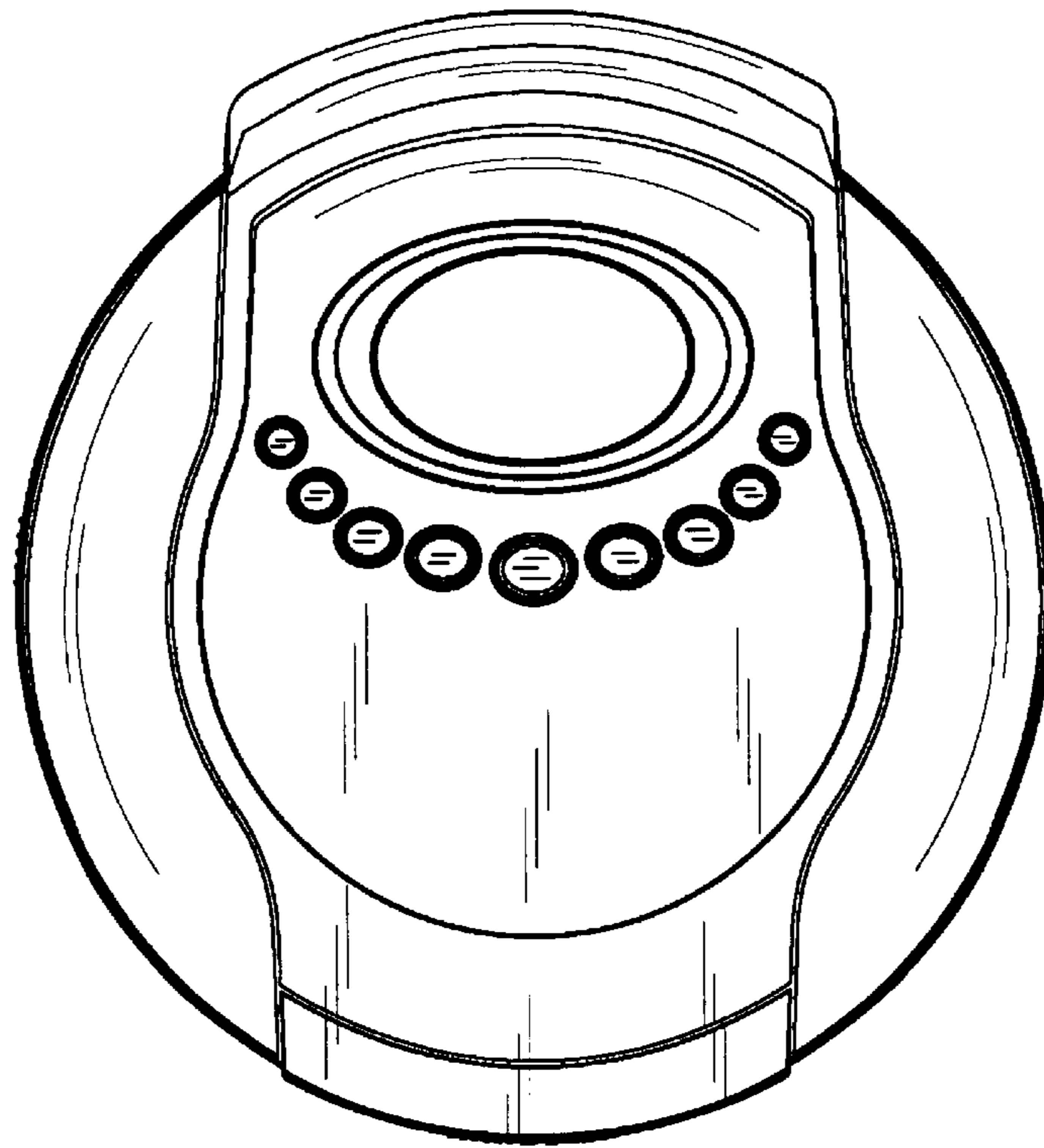


Fig. 1

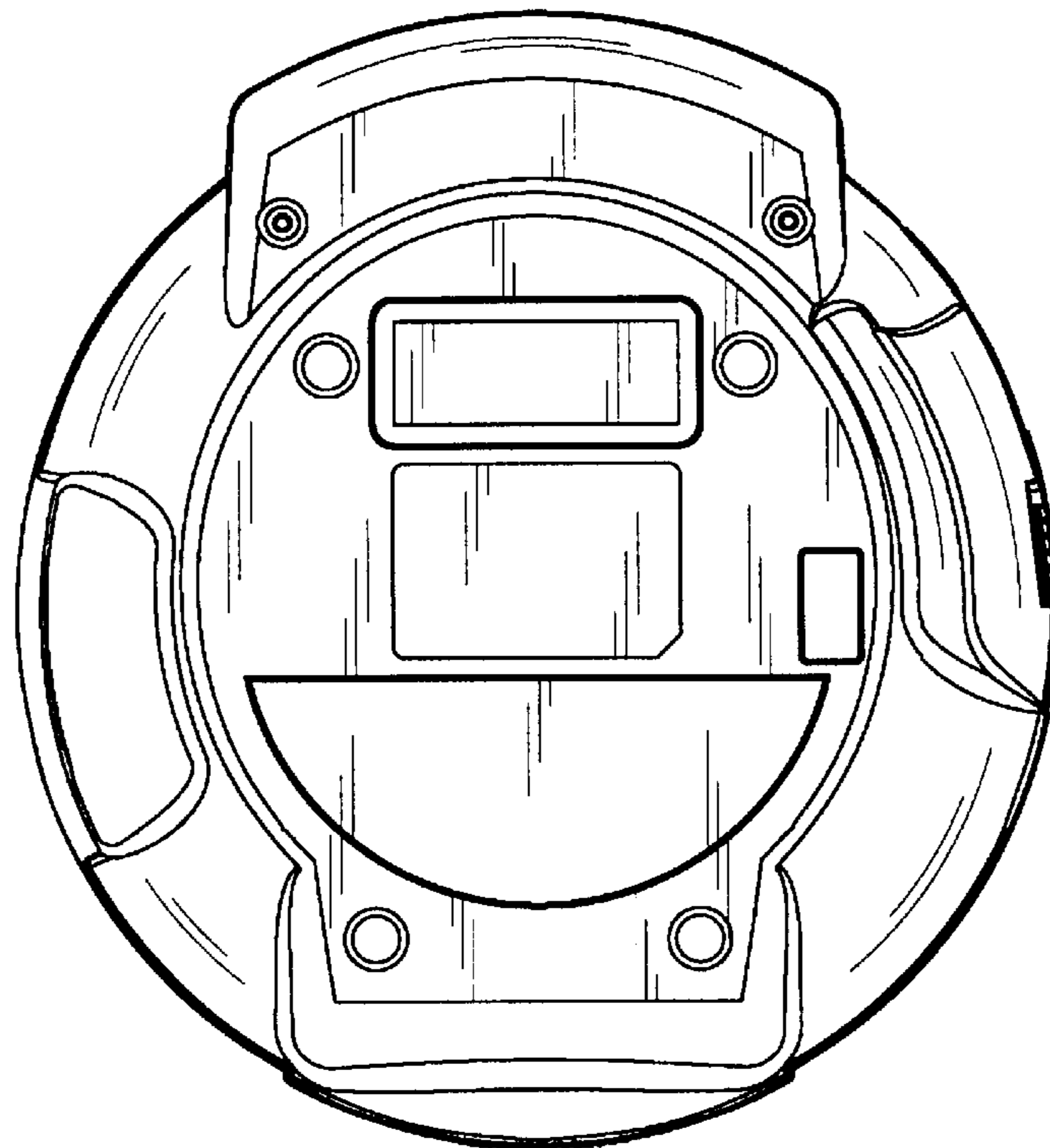


Fig. 2

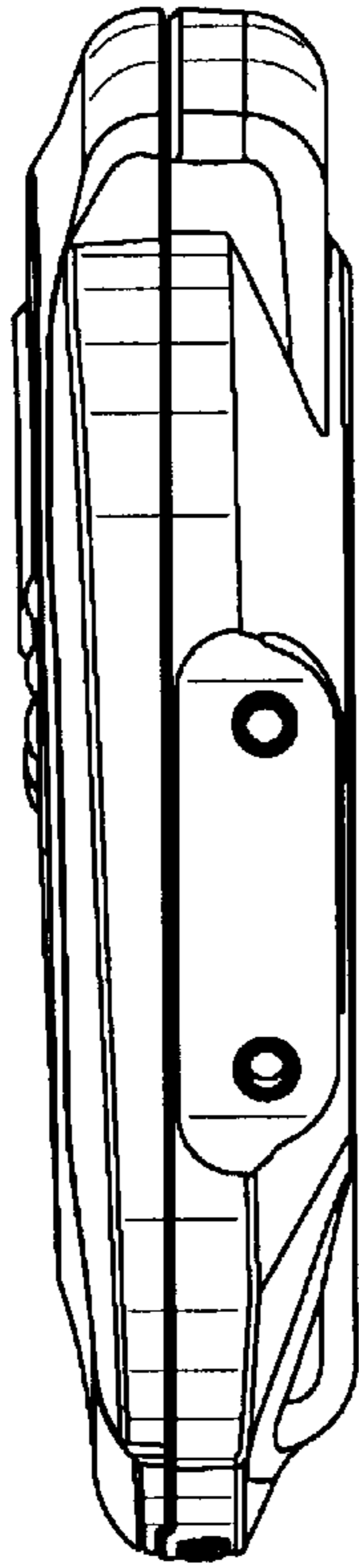


Fig. 3

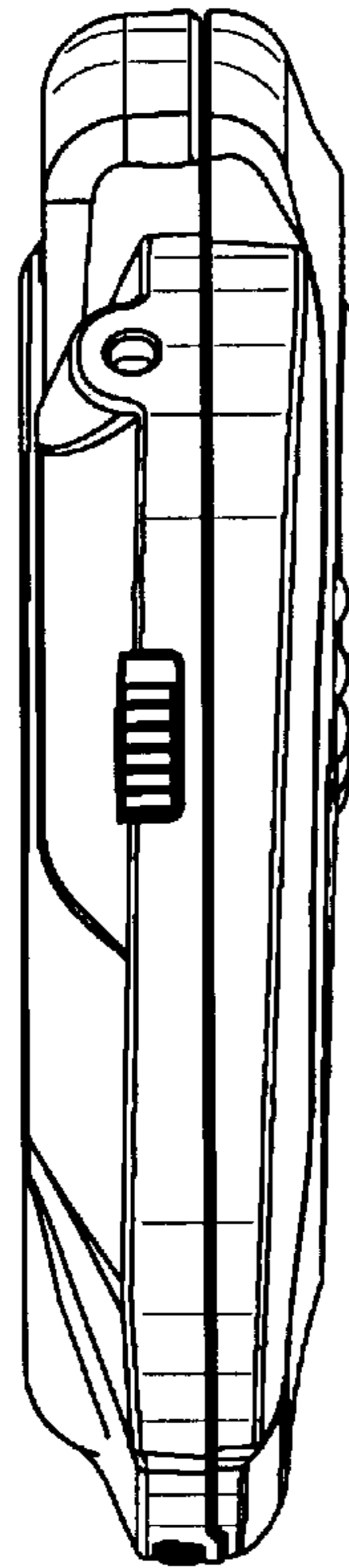


Fig. 4

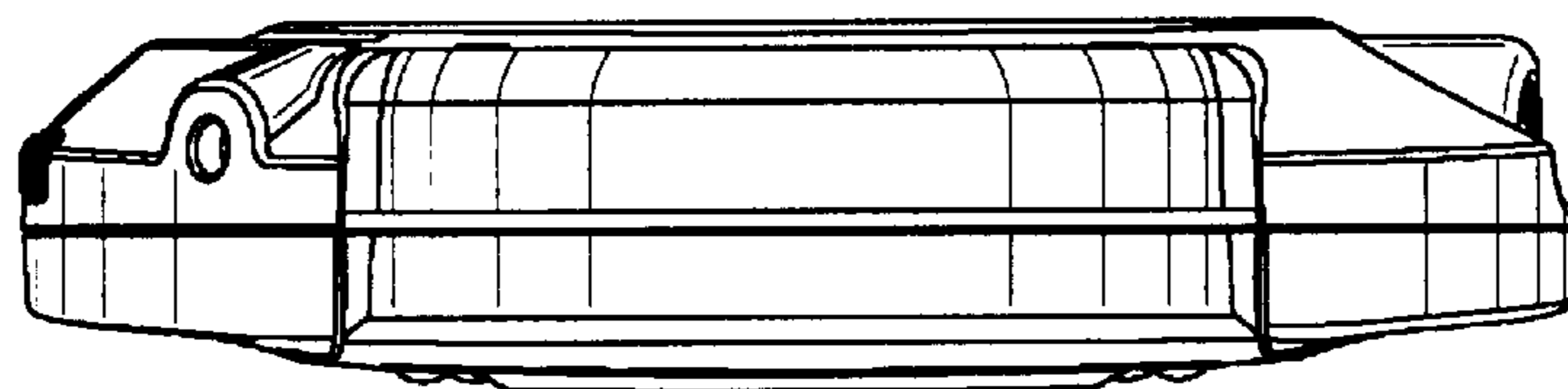


Fig. 5

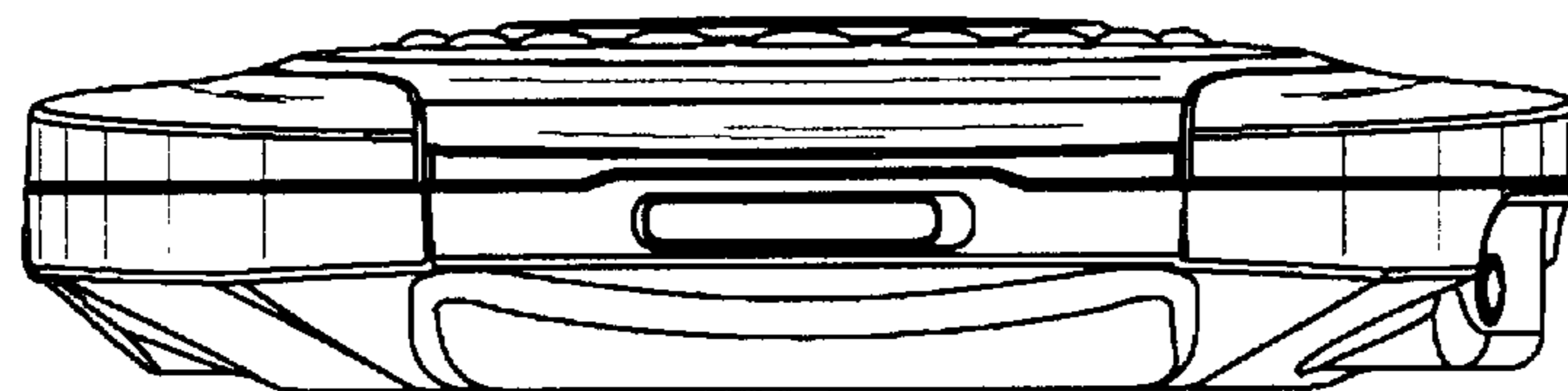


Fig. 6