



US00D512400S

(12) **United States Design Patent**  
**Zeitman**

(10) **Patent No.:** **US D512,400 S**  
(45) **Date of Patent:** **\*\* Dec. 6, 2005**

(54) **PERSONAL CD PLAYER**

(75) **Inventor:** **Josh Zeitman**, Brooklyn, NY (US)

(73) **Assignee:** **Lennox Electronics Corp.**, Brooklyn, NY (US)

(\*\*) **Term:** **14 Years**

(21) **Appl. No.:** **29/197,459**

(22) **Filed:** **Jan. 16, 2004**

(51) **LOC (8) Cl.** ..... **14-01**

(52) **U.S. Cl.** ..... **D14/156**

(58) **Field of Search** ..... D14/135-136,  
D14/156-157, 160-165, 197, 167-168,  
192-198, 217; 455/347-351; 369/75.1,  
75.2, 77.1, 77.2

(56) **References Cited**

**U.S. PATENT DOCUMENTS**

D400,876 S \* 11/1998 Masamitsu ..... D14/156

D431,544 S \* 10/2000 Kobayashi ..... D14/156  
D470,831 S \* 2/2003 Zeitman ..... D14/156  
D491,549 S \* 6/2004 Zeitman ..... D14/156

\* cited by examiner

*Primary Examiner*—Nanda Bondade

(74) *Attorney, Agent, or Firm*—Burns, Doane, Swecker & Mathis

(57) **CLAIM**

The ornamental design for a “personal CD player” , as shown and described.

**DESCRIPTION**

FIG. 1 is a front view of a “personal CD player” showing my design;

FIG. 2 is a rear view thereof;

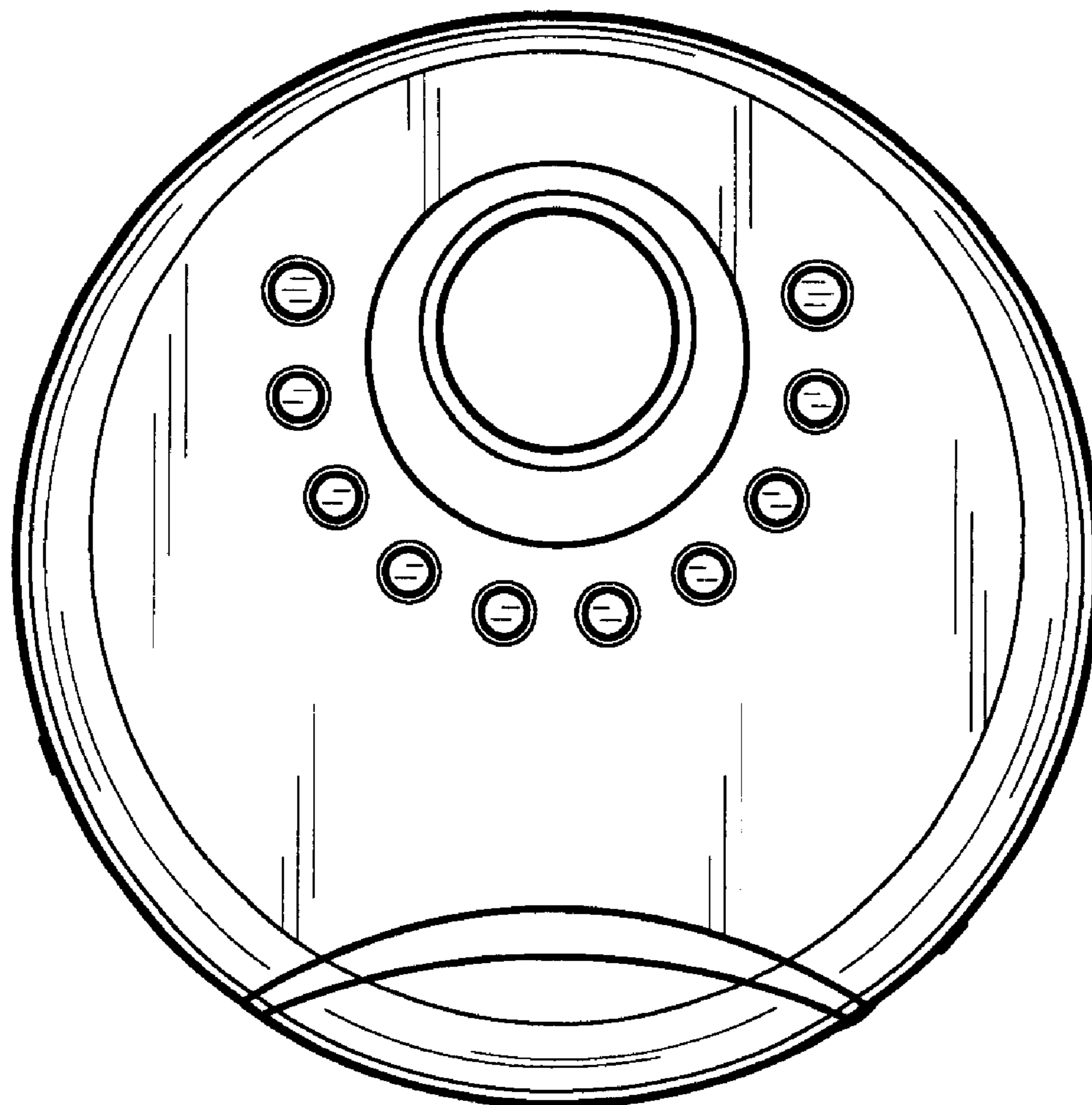
FIG. 3 is a right side view thereof;

FIG. 4 is a left side view thereof;

FIG. 5 is a top plan view thereof; and,

FIG. 6 is a bottom plan view thereof.

**1 Claim, 2 Drawing Sheets**



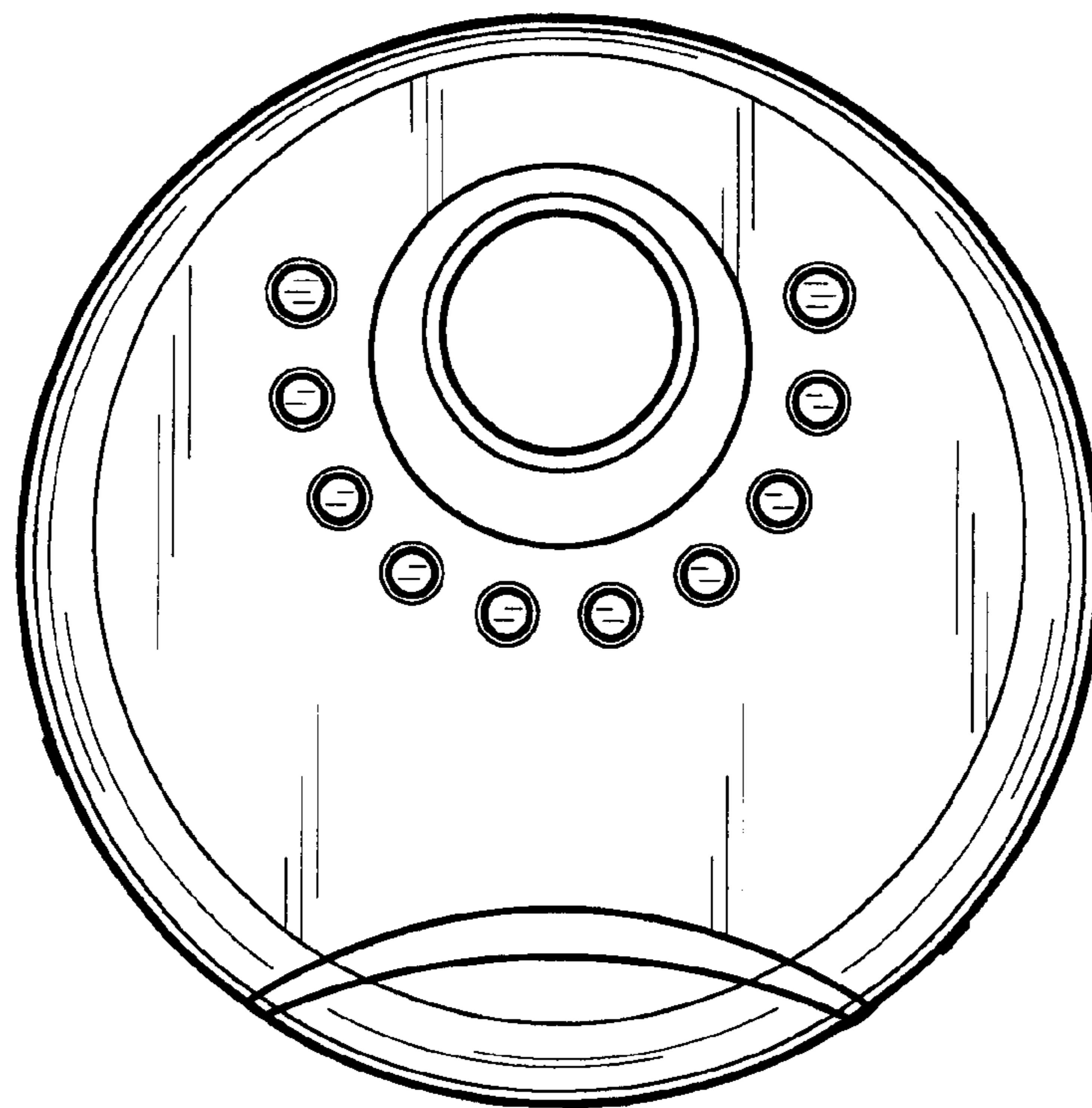


Fig. 1

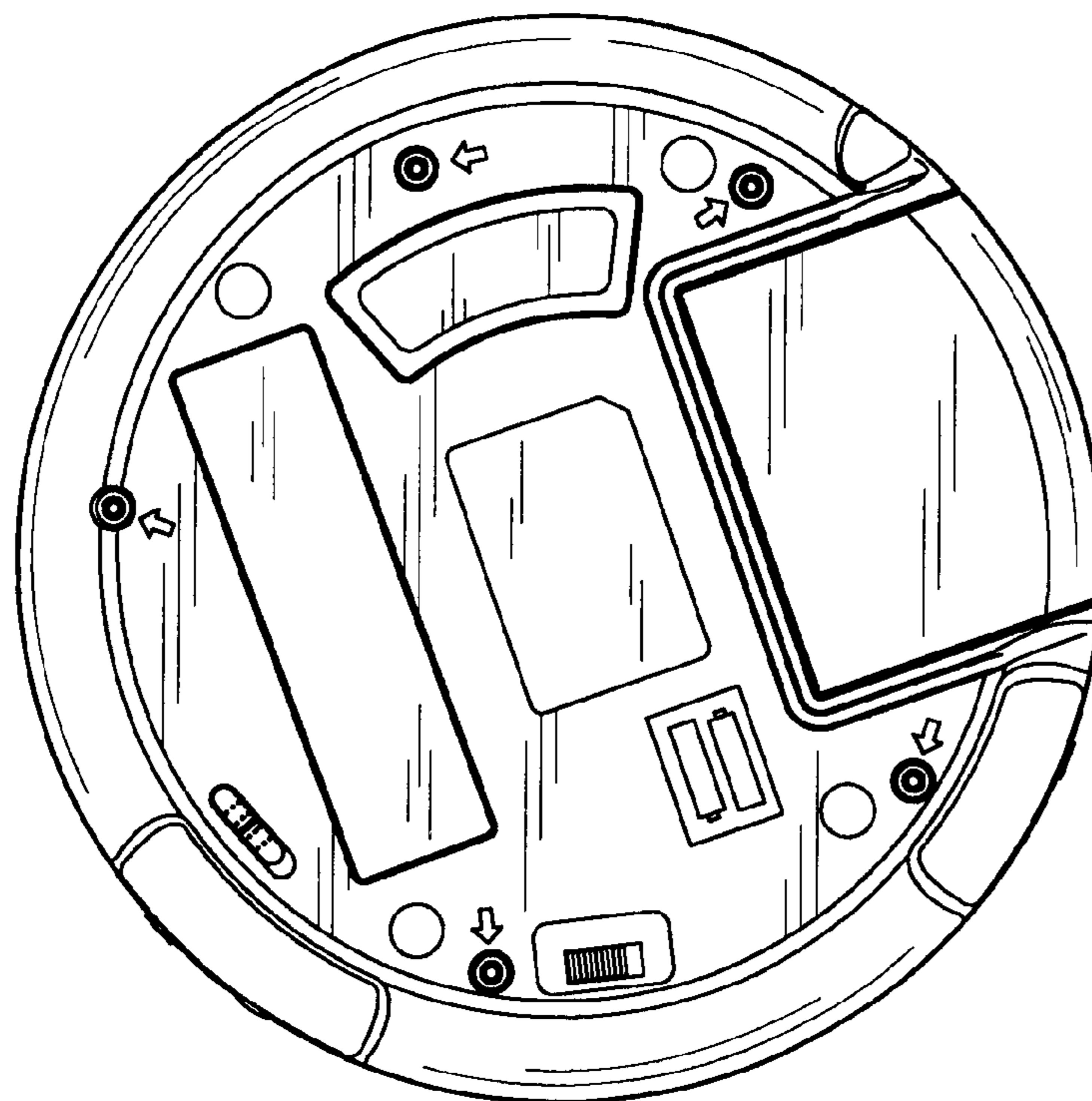


Fig. 2



Fig. 3



Fig. 4

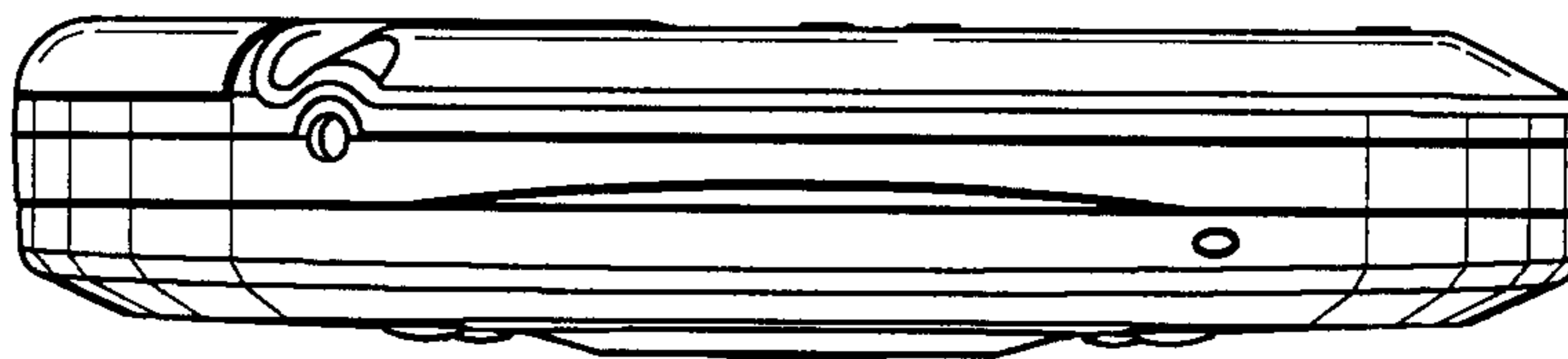


Fig. 5

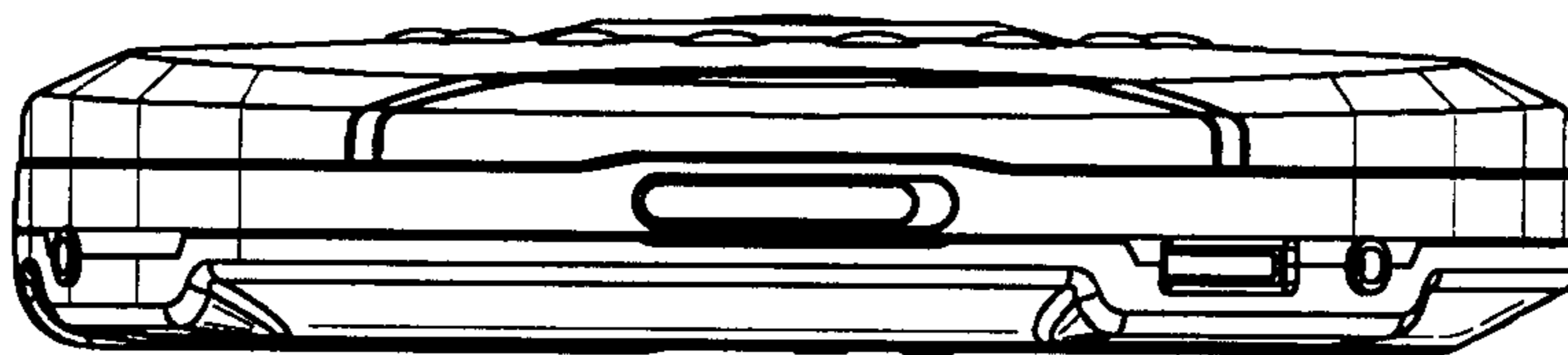


Fig. 6