



US00D512395S

(12) **United States Design Patent**
Kim et al.

(10) **Patent No.:** **US D512,395 S**
(45) **Date of Patent:** **** Dec. 6, 2005**

(54) **CELLULAR PHONE**

(75) Inventors: **Nam-Mi Kim**, Seoul (KR);
Chang-Hwan Hwang, Goyang-si (KR)

(73) Assignee: **Samsung Electronics Co., Ltd.** (KR)

(**) Term: **14 Years**

(21) Appl. No.: **29/214,566**

(22) Filed: **Oct. 6, 2004**

(30) **Foreign Application Priority Data**

Apr. 6, 2004 (KR) 30-2004-0009646

(51) **LOC (8) Cl.** **14-03**

(52) **U.S. Cl.** **D14/138**

(58) **Field of Search** D14/137, 138,
D14/147-148, 247-248, 144, 341-347;
379/433.01-433.13, 434; 455/550.1-90.3,
575.3, 566, 575.1; D21/517

(56) **References Cited**

U.S. PATENT DOCUMENTS

| | | | | | |
|--------------|---|---------|----------------|-------|------------|
| D418,504 S | * | 1/2000 | Frye et al. | | D14/138 |
| D438,184 S | * | 2/2001 | Suzuki et al. | | D14/138 |
| 6,396,924 B1 | * | 5/2002 | Suso et al. | | 379/433.13 |
| D470,506 S | * | 2/2003 | Sadatsuki | | D14/496 |
| D476,968 S | * | 7/2003 | Yokoyama | | D14/138 |
| D484,478 S | * | 12/2003 | Kota et al. | | D14/138 |
| D486,461 S | * | 2/2004 | Seo et al. | | D14/138 |
| D487,443 S | * | 3/2004 | Yoon | | D14/138 |
| D487,444 S | * | 3/2004 | Yoon | | D14/138 |
| D490,389 S | * | 5/2004 | Yang | | D14/138 |
| 6,731,959 B1 | * | 5/2004 | Kumagai et al. | | 455/575.3 |
| D493,439 S | * | 7/2004 | Hong et al. | | D14/138 |
| D495,672 S | * | 9/2004 | Jeon et al. | | D14/138 |
| D495,674 S | * | 9/2004 | Yoo et al. | | D14/138 |
| D496,020 S | * | 9/2004 | Lee | | D14/138 |
| D496,021 S | * | 9/2004 | Jang | | D14/138 |
| D496,636 S | * | 9/2004 | Lodato et al. | | D14/138 |
| D496,643 S | * | 9/2004 | Yoo et al. | | D14/138 |

| | | | | | |
|-----------------|---|---------|-------------|-------|------------|
| D497,894 S | * | 11/2004 | Kim | | D14/138 |
| D498,468 S | * | 11/2004 | Seo | | D14/138 |
| D500,994 S | * | 1/2005 | Lee et al. | | D14/138 |
| D501,838 S | * | 2/2005 | Kim et al. | | D14/138 |
| 2002/0187818 A1 | * | 12/2002 | Kang | | 455/575 |
| 2003/0013417 A1 | * | 1/2003 | Bum | | 455/90 |
| 2003/0078077 A1 | * | 4/2003 | Kokubo | | 455/566 |
| 2003/0144036 A1 | * | 7/2003 | Ito | | 455/566 |
| 2003/0153283 A1 | * | 8/2003 | Kuwazoe | | 455/90 |
| 2003/0174240 A1 | * | 9/2003 | Wada et al. | | 348/374 |
| 2003/0199290 A1 | * | 10/2003 | Viertola | | 455/575.1 |
| 2003/0203747 A1 | * | 10/2003 | Nagamine | | 455/575.3 |
| 2003/0223576 A1 | * | 12/2003 | Totani | | 379/433.04 |
| 2004/0097258 A1 | * | 5/2004 | Lee et al. | | 455/550.1 |
| 2004/0137940 A1 | * | 7/2004 | Matsunami | | 455/550.1 |
| 2004/0142734 A1 | * | 7/2004 | Kim | | 455/575.1 |
| 2004/0162036 A1 | * | 8/2004 | Park | | 455/90.3 |
| 2004/0185925 A1 | * | 9/2004 | Kim | | 455/575.3 |
| 2004/0203527 A1 | * | 10/2004 | Matsumoto | | 455/90.3 |
| 2004/0203535 A1 | * | 10/2004 | Kim et al. | | 455/90.3 |
| 2004/0224732 A1 | * | 11/2004 | Lee et al. | | 455/575.3 |

* cited by examiner

Primary Examiner—Jeffrey Asch

(74) *Attorney, Agent, or Firm*—Cantor Colburn LLP

(57) **CLAIM**

We claim, the ornamental design for a cellular phone, as shown and described.

DESCRIPTION

FIG. 1 is a top and front perspective view of a cellular phone, showing our new design;
FIG. 2 is a front elevational view thereof;
FIG. 3 is a rear elevational view thereof;
FIG. 4 is a top elevational view thereof;
FIG. 5 is a bottom elevational view thereof;
FIG. 6 is a left side view thereof;
FIG. 7 is a right side view thereof; and,
FIG. 8 is a front perspective view thereof, the cellular phone being in an alternate position.

1 Claim, 5 Drawing Sheets

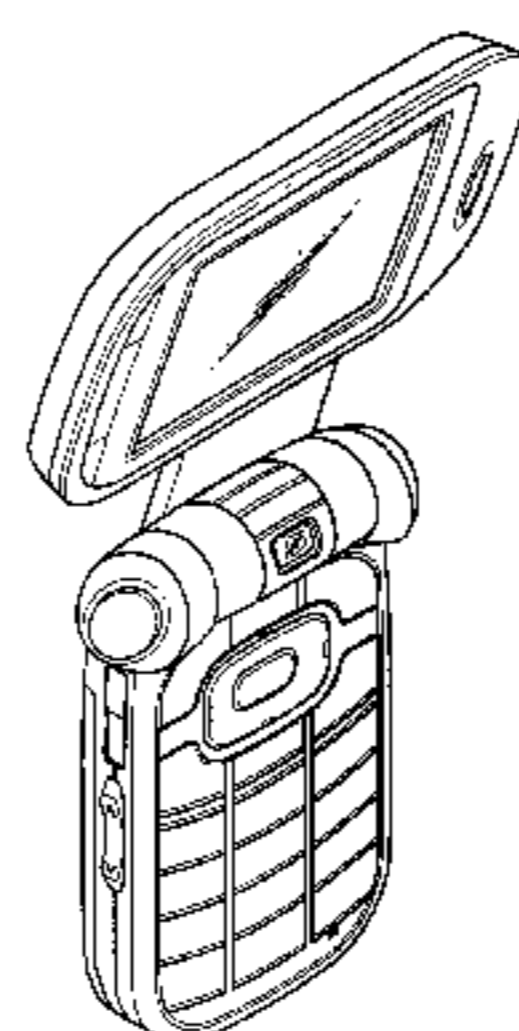
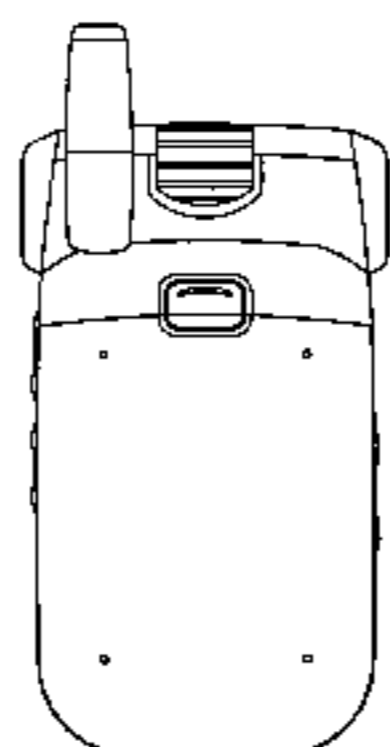
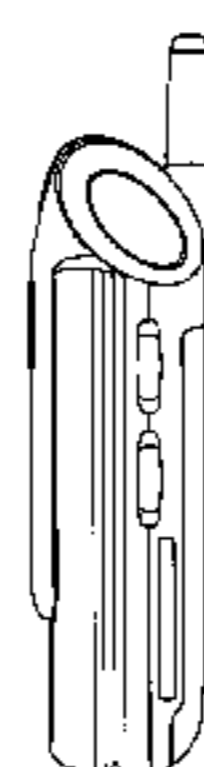
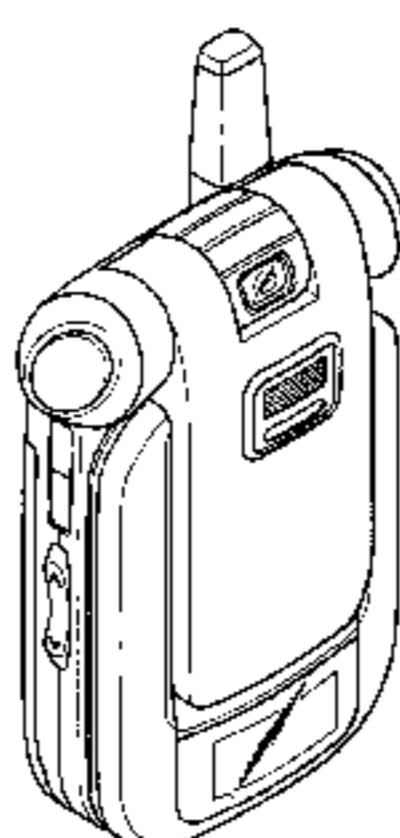


FIG. 1

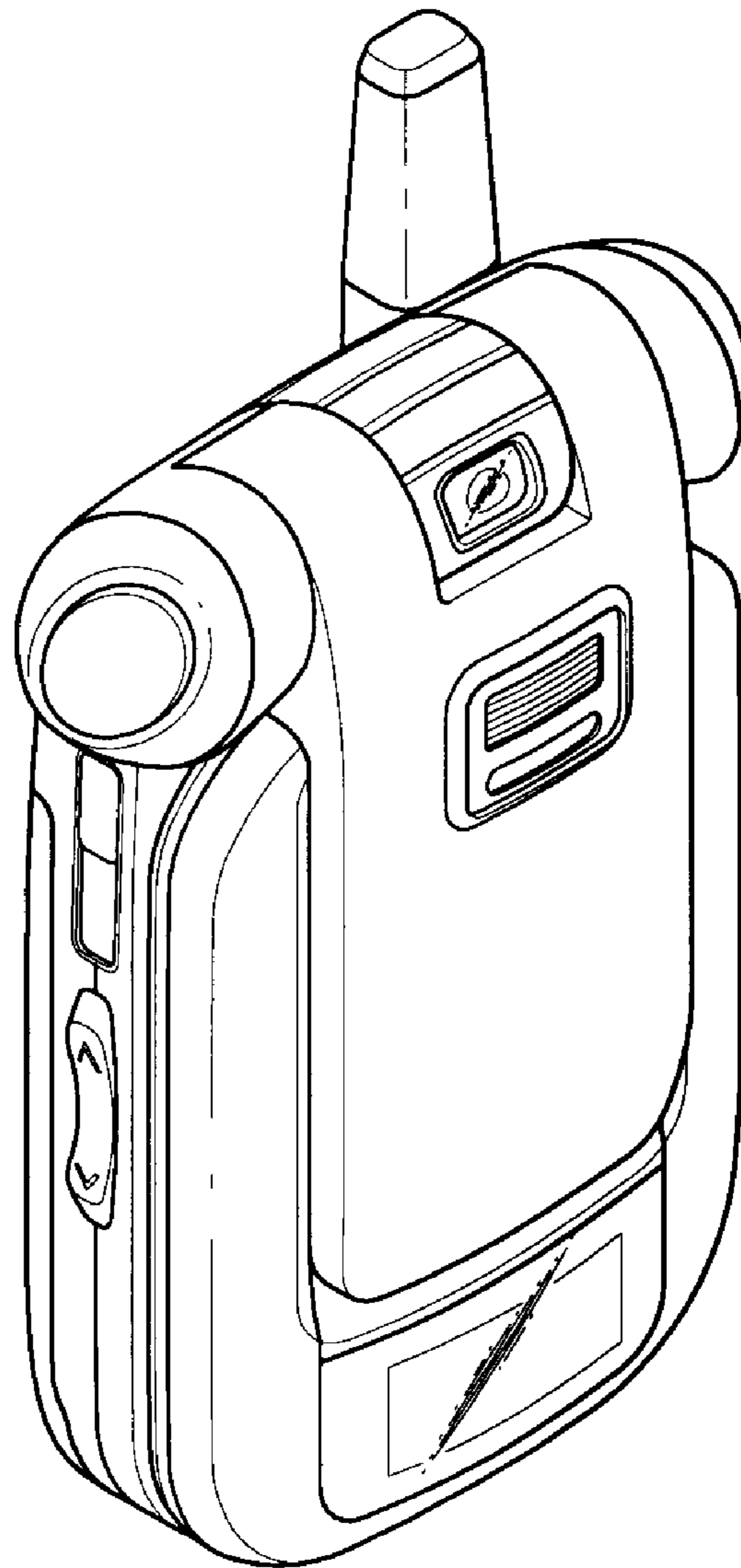


FIG. 2

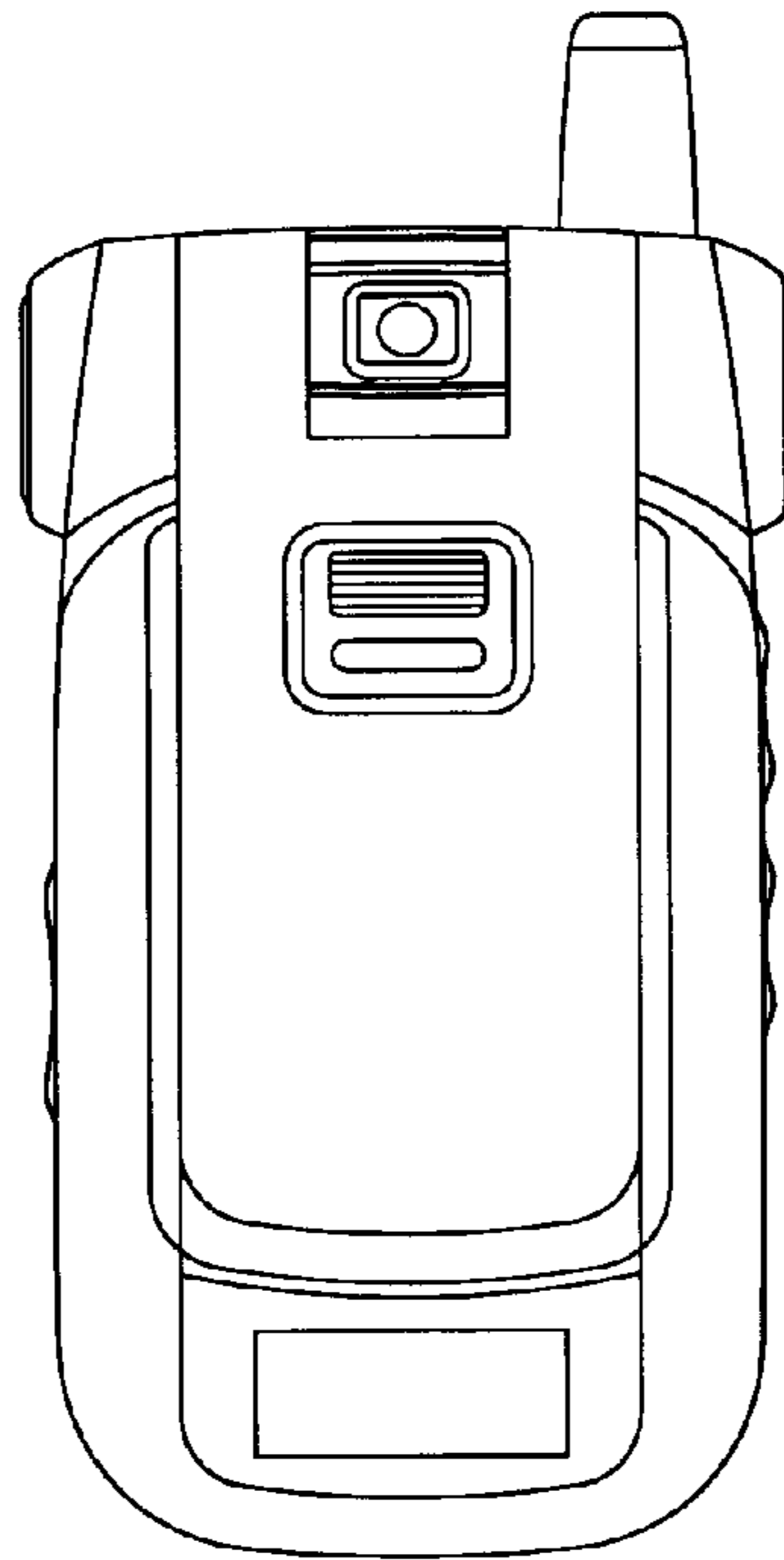


FIG. 3

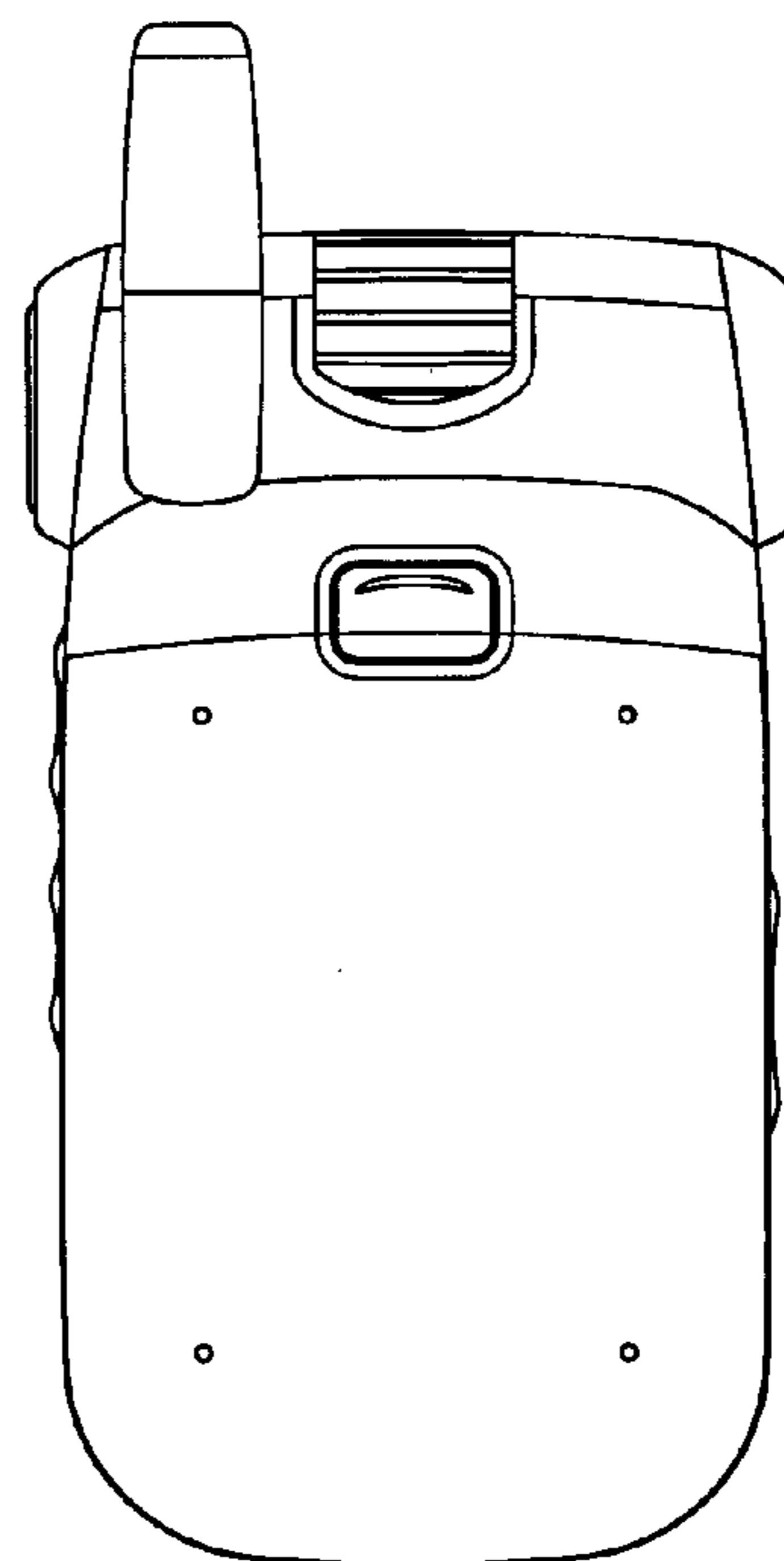


FIG. 4

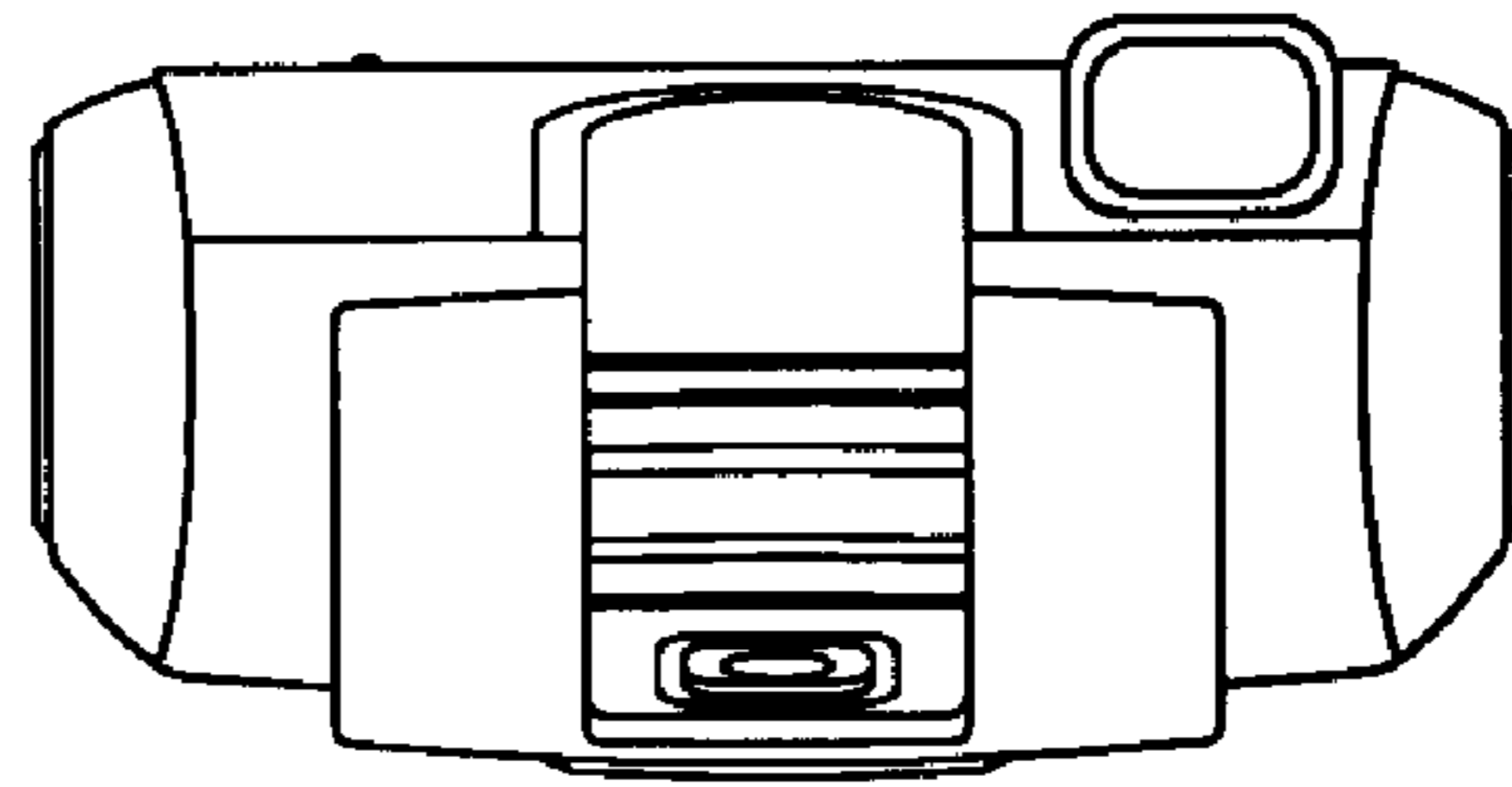


FIG. 5



FIG. 6

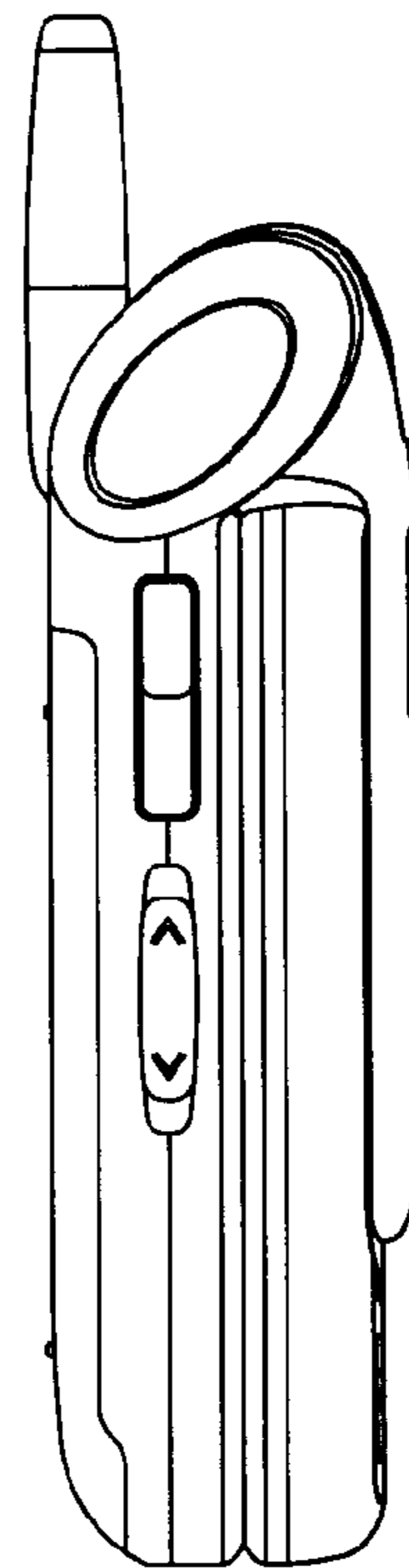


FIG. 7

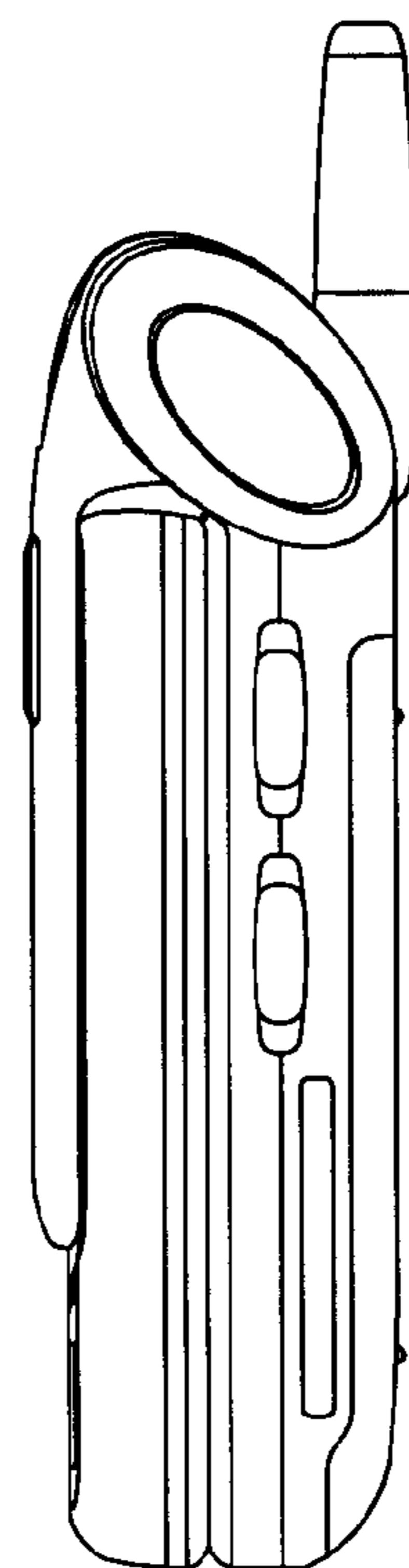


FIG. 8

