



US00D512391S

(12) **United States Design Patent**
Chiu

(10) **Patent No.:** **US D512,391 S**
(45) **Date of Patent:** **** Dec. 6, 2005**

(54) **MULTI-MEDIA DVD RECORDING AND/OR REPRODUCING DEVICE**

(75) **Inventor:** **Hsiu-Hsiang Chiu, Hsinchu (TW)**

(73) **Assignee:** **Lite-On It Corporation, Taipei (TW)**

(**) **Term:** **14 Years**

(21) **Appl. No.:** **29/201,034**

(22) **Filed:** **Mar. 9, 2004**

(30) **Foreign Application Priority Data**

Jan. 8, 2004 (TW) 93300117

(51) **LOC (8) Cl.** **14-01**

(52) **U.S. Cl.** **D14/136; D14/167**

(58) **Field of Search** D14/445, 260.1,
D14/258, 257, 224, 217, 198, 197, 196,
195, 194, 193, 192, 188, 168, 167, 156,
136, 135; 455/350, 347, 344; 369/77.1,
75.2, 75.1

(56) **References Cited**

U.S. PATENT DOCUMENTS

D311,732 S	*	10/1990	Shim	D14/135
D323,496 S	*	1/1992	Shim	D14/135
D323,497 S	*	1/1992	Byun	D14/135
D323,654 S	*	2/1992	Shim	D14/135
D327,676 S	*	7/1992	Yang	D14/135
D371,789 S	*	7/1996	Weissberg et al.	D14/188
D383,461 S	*	9/1997	Ito et al.	D14/188
D415,758 S	*	10/1999	Ito et al.	D14/156
D428,404 S	*	7/2000	Ito et al.	D14/156

D439,228 S	*	3/2001	Tsuge	D14/136
D466,876 S	*	12/2002	Usami et al.	D14/136
D469,428 S	*	1/2003	Senda et al.	D14/257
D476,651 S	*	7/2003	Clark et al.	D14/257
D479,519 S	*	9/2003	Hisatsune	D14/168
D483,729 S	*	12/2003	Huang et al.	D14/136
D485,814 S	*	1/2004	Winkler	D14/136
D493,434 S	*	7/2004	Wu	D14/136
D494,150 S	*	8/2004	Wu	D14/136
D495,677 S	*	9/2004	Kawano et al.	D14/157

* cited by examiner

Primary Examiner—Cathron C. Brooks

Assistant Examiner—Austin Murphy

(74) *Attorney, Agent, or Firm*—Thomas, Kayden, Horstemeyer & Risley

(57) **CLAIM**

I claim the ornamental design for a multi-media DVD recording and/or reproducing device, as shown and described.

DESCRIPTION

FIG. 1 is a perspective view of multi-media DVD recording and/or reproducing device showing my new design; FIG. 2 is a front elevational view thereof; FIG. 3 is a rear elevational view thereof; FIG. 4 is a left side elevational view thereof; FIG. 5 is a right side elevational view thereof; FIG. 6 is a top plan view thereof; and, FIG. 7 is a bottom plan view thereof. The broken lines shown in FIGS. 3–7 form no part of the claimed design.

1 Claim, 3 Drawing Sheets

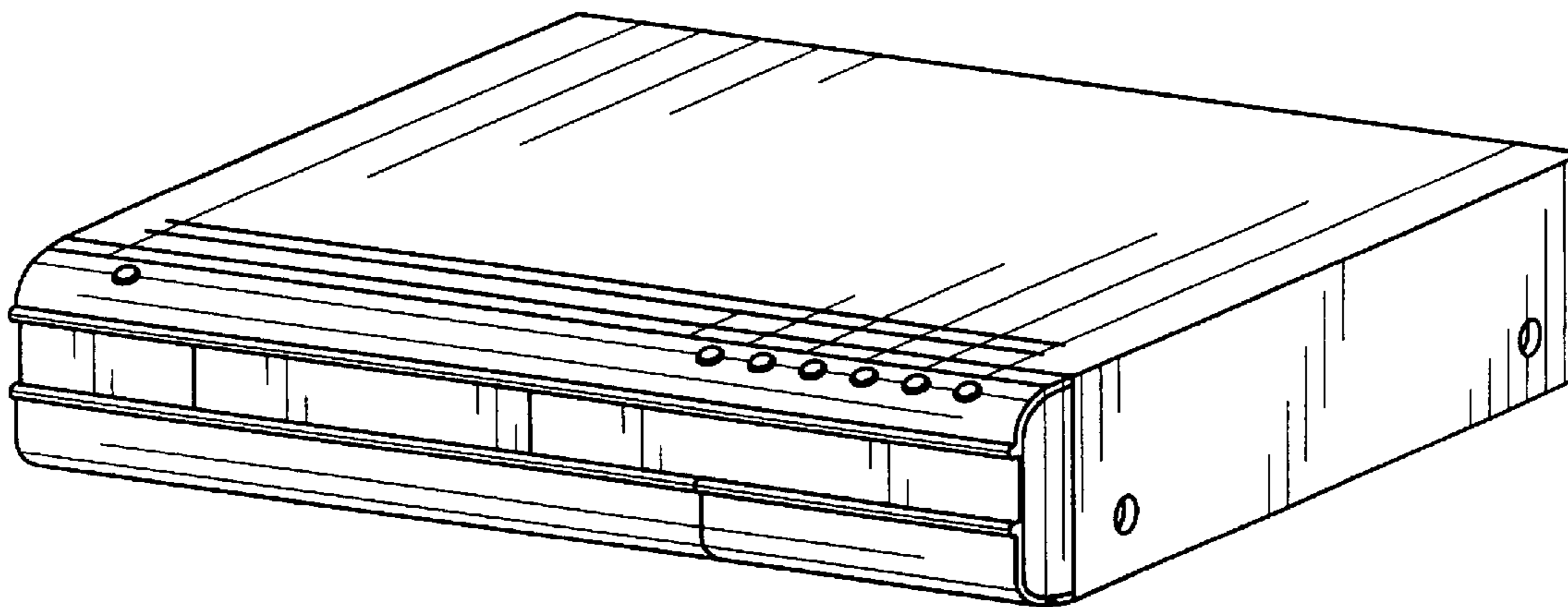


FIG.1

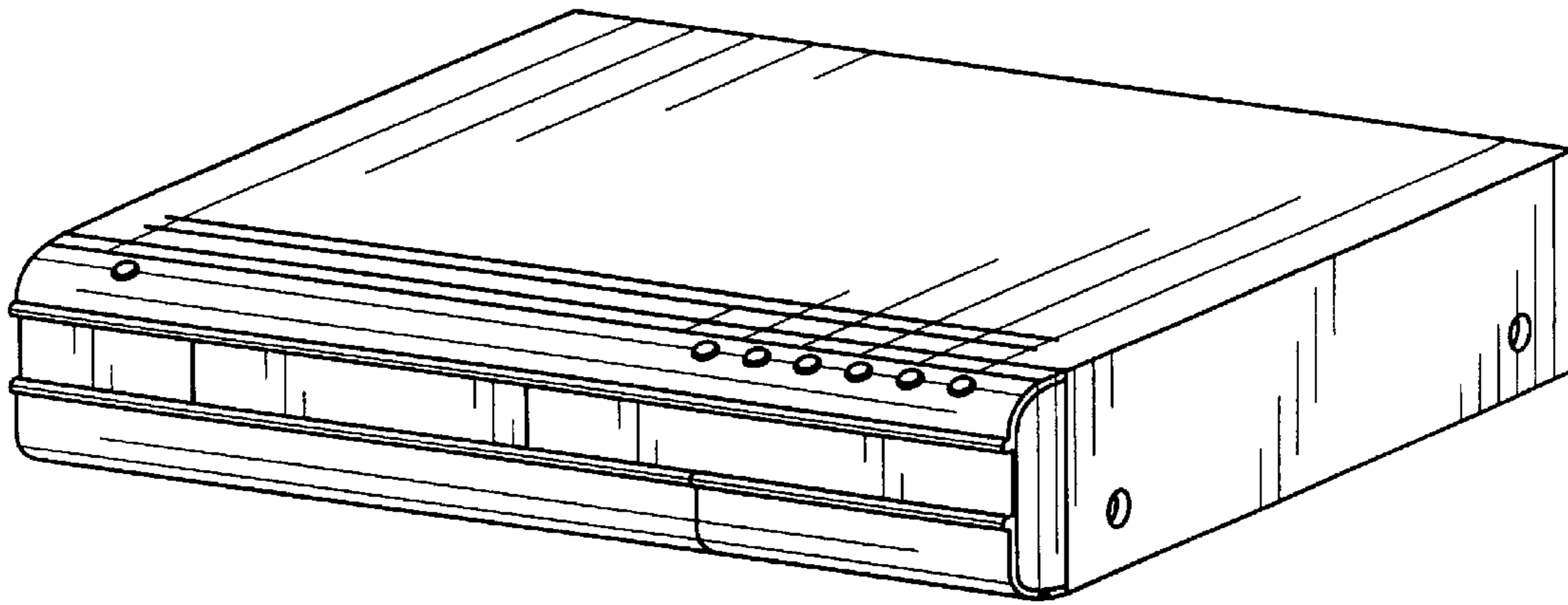


FIG.2

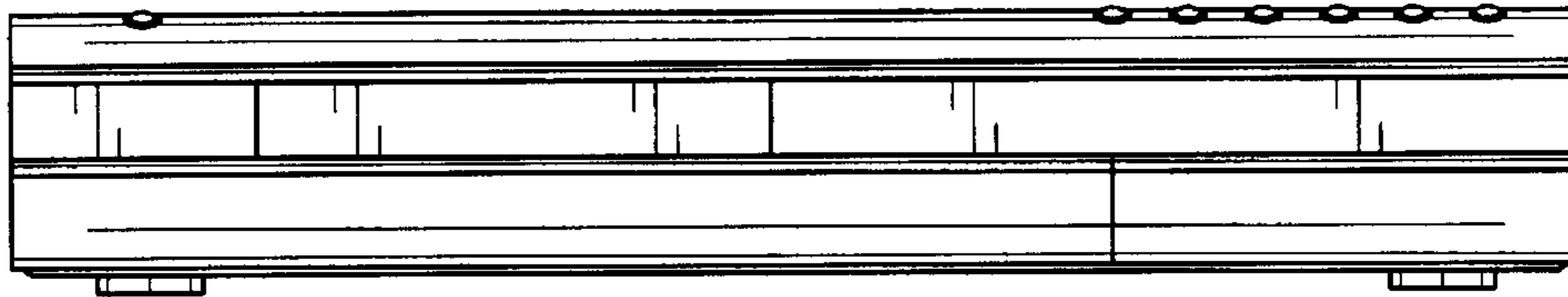


FIG.3

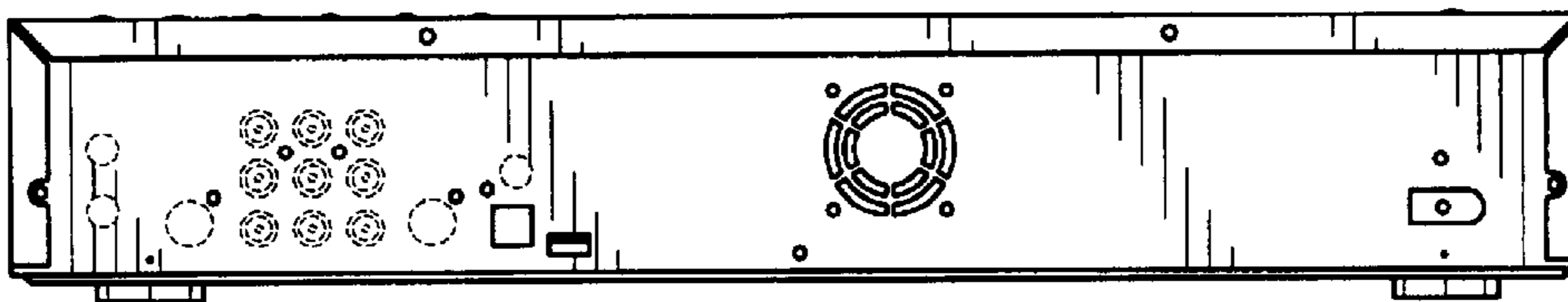


FIG.4

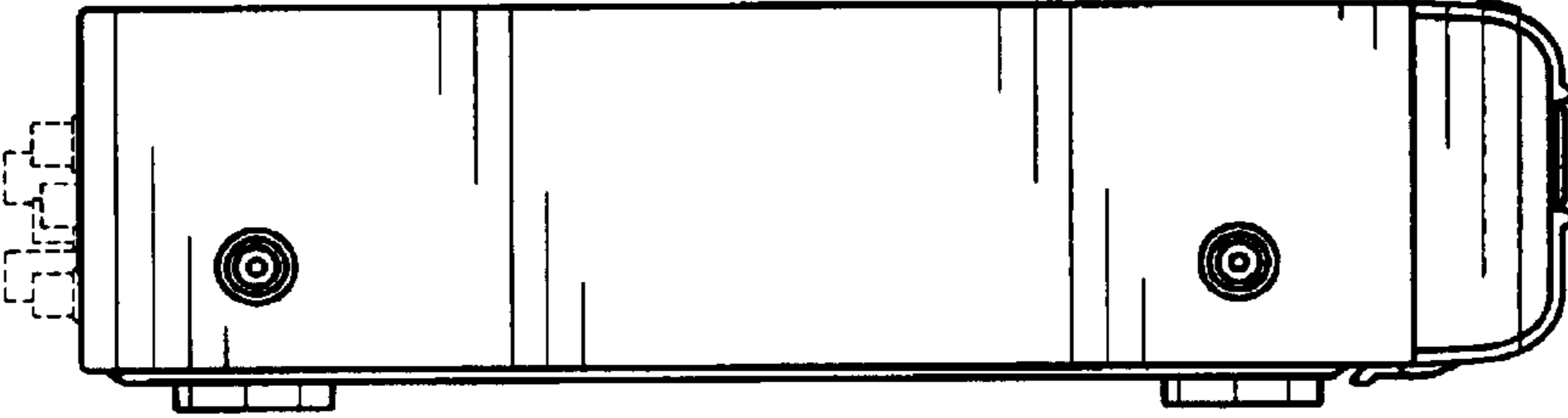


FIG.5

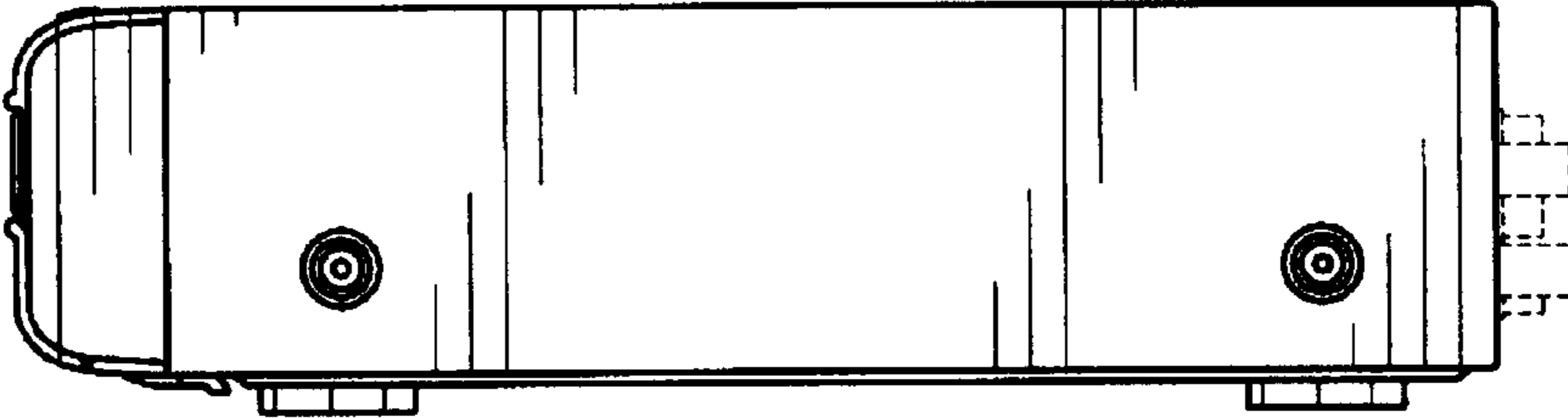


FIG.6

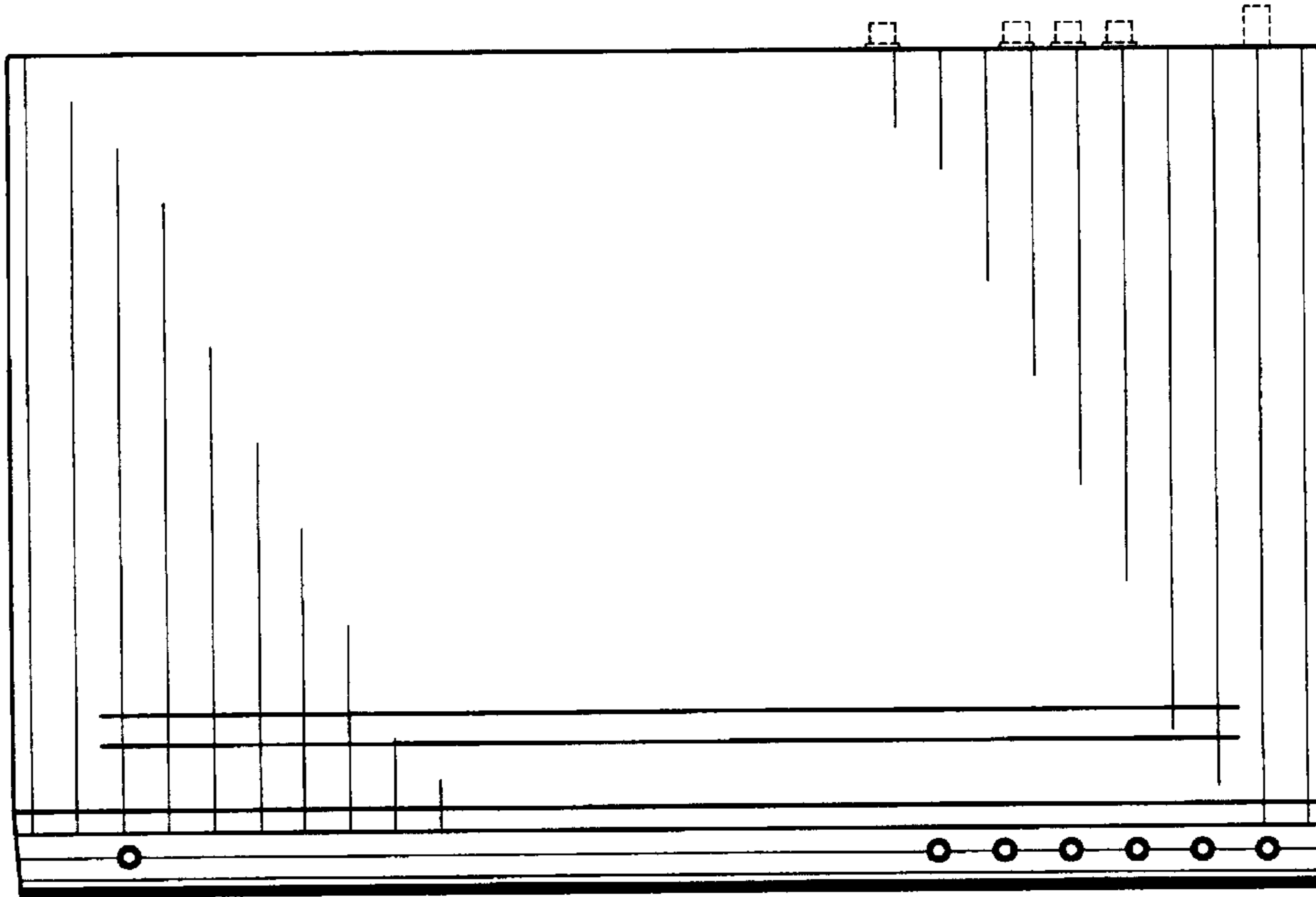


FIG.7

