



US00D512389S

(12) **United States Design Patent**  
**Joe et al.**

(10) **Patent No.:** **US D512,389 S**  
(45) **Date of Patent:** **\*\* Dec. 6, 2005**

(54) **PROJECTION TELEVISION**

(75) Inventors: **Sung Gu Joe**, Seoul (KR); **Seong Ho Oh**, Gyeonggi-do (KR)

(73) Assignee: **LG Electronics Inc.**, Seoul (KR)

(\*\*) Term: **14 Years**

(21) Appl. No.: **29/218,141**

(22) Filed: **Nov. 30, 2004**

(30) **Foreign Application Priority Data**

Jun. 1, 2004 (KR) ..... 2004-0016077

(51) **LOC (8) Cl.** ..... **14-03**

(52) **U.S. Cl.** ..... **D14/128**

(58) **Field of Search** ..... D14/125-134,  
D14/239, 371, 374-376; 312/7.2; 348/836,  
838, 180, 184, 325, 739; 341/12; 248/917-924;  
345/104, 133, 156, 168, 87, 173; 353/74

(56) **References Cited**

**U.S. PATENT DOCUMENTS**

- D376,358 S \* 12/1996 Starck ..... D14/126
- D438,180 S \* 2/2001 Izu et al. .... D14/126
- D438,181 S \* 2/2001 Onoda et al. .... D14/126
- D461,460 S \* 8/2002 Park ..... D14/126

- D469,067 S \* 1/2003 Ellison ..... D14/126
- D489,042 S \* 4/2004 Joe et al. .... D14/128
- D498,215 S \* 11/2004 Lee et al. .... D14/126
- D503,157 S \* 3/2005 Fujii et al. .... D14/126

**OTHER PUBLICATIONS**

Frontgate—gentlemen’s domain, p. 17, 2002.\*

\* cited by examiner

*Primary Examiner*—Raphael Barkai

(74) *Attorney, Agent, or Firm*—Birch, Stewart Kolasch & Birch LLP

(57) **CLAIM**

The ornamental design for a projection television, as shown and described.

**DESCRIPTION**

FIG. 1 is a front, right perspective view of the projection television showing our new design;  
 FIG. 2 is a front view thereof;  
 FIG. 3 is a rear view thereof;  
 FIG. 4 is a left side view thereof, the right side view being a mirror image thereof;  
 FIG. 5 is a top view thereof; and,  
 FIG. 6 is a bottom view thereof.

**1 Claim, 4 Drawing Sheets**

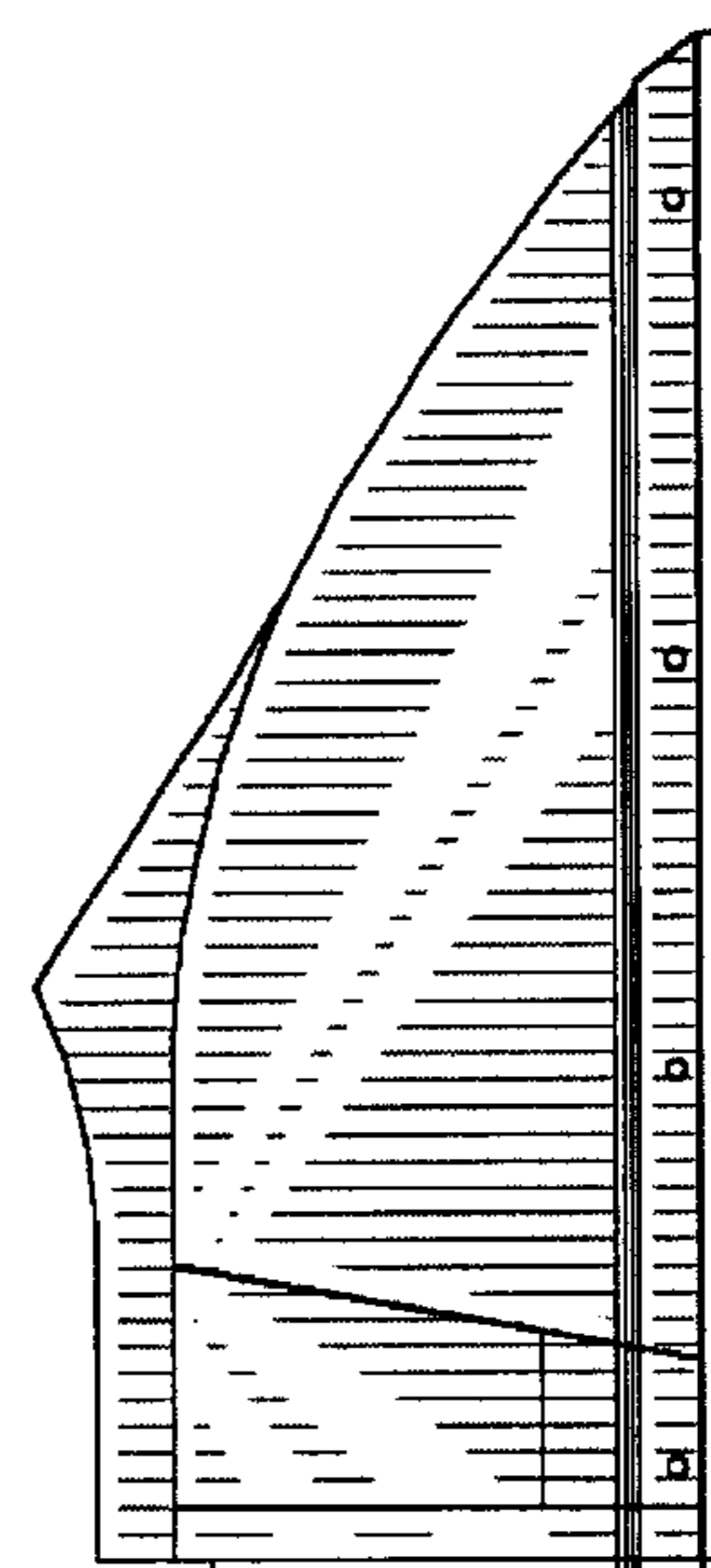
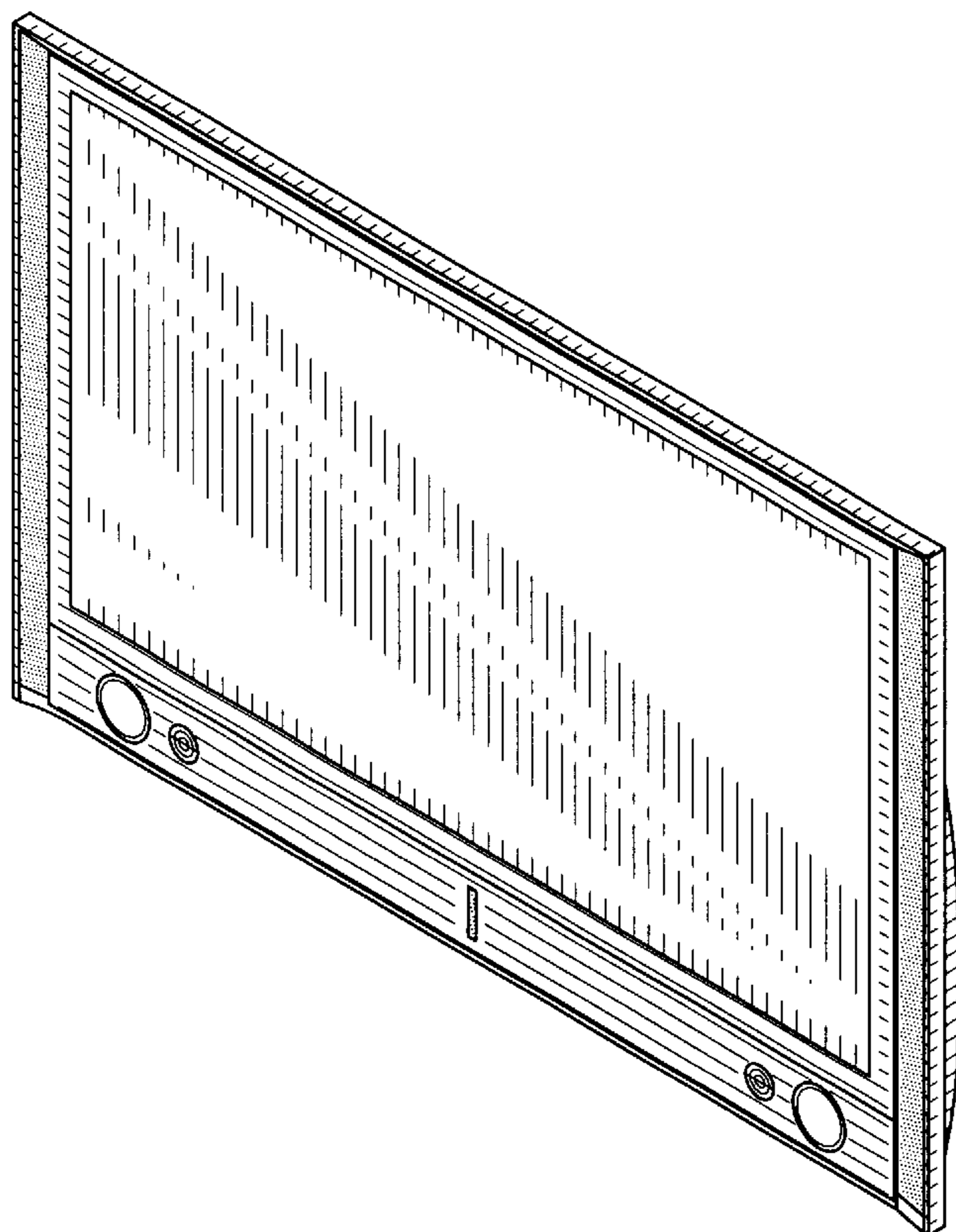


Fig. 1

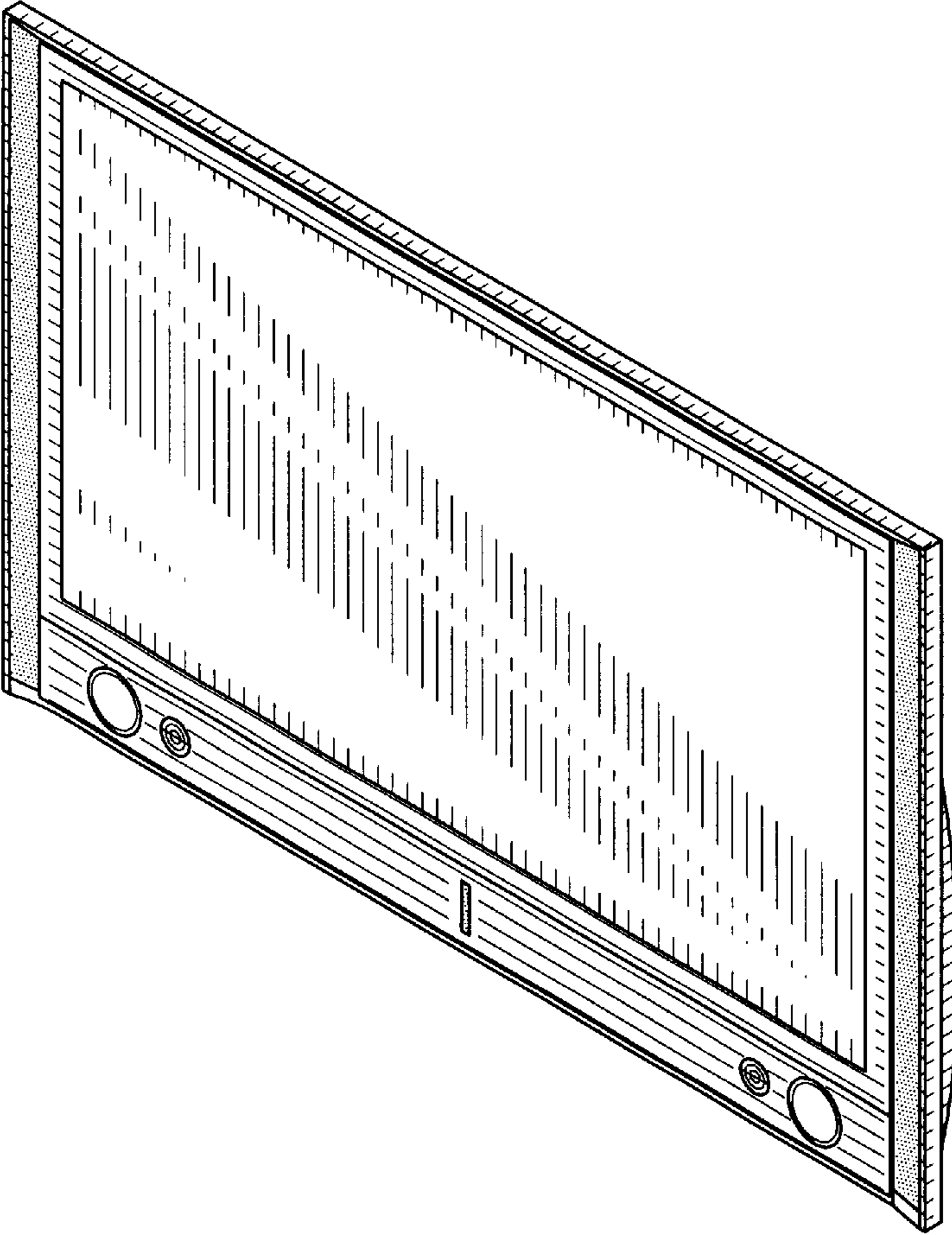


Fig. 2

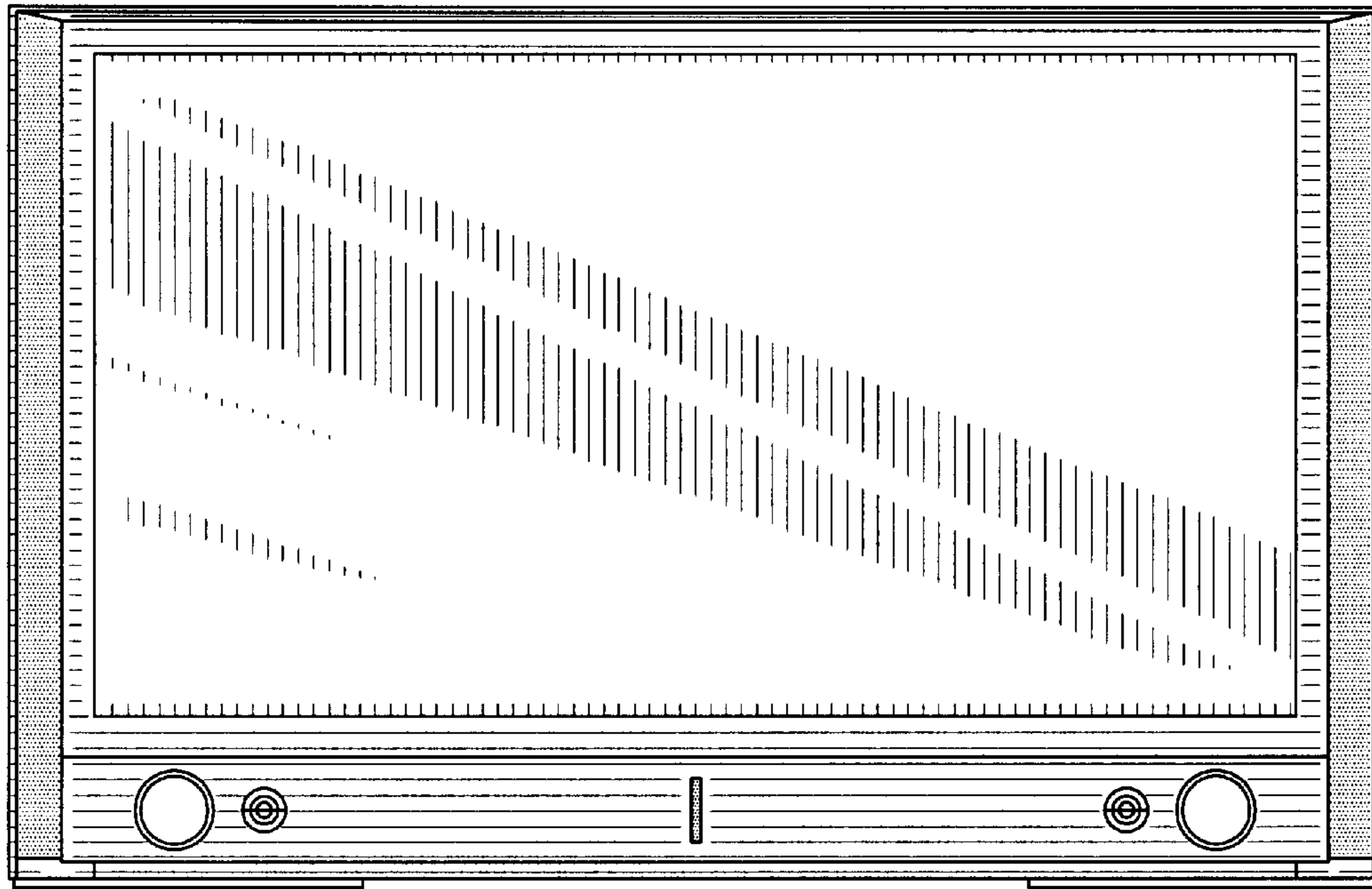


Fig. 3

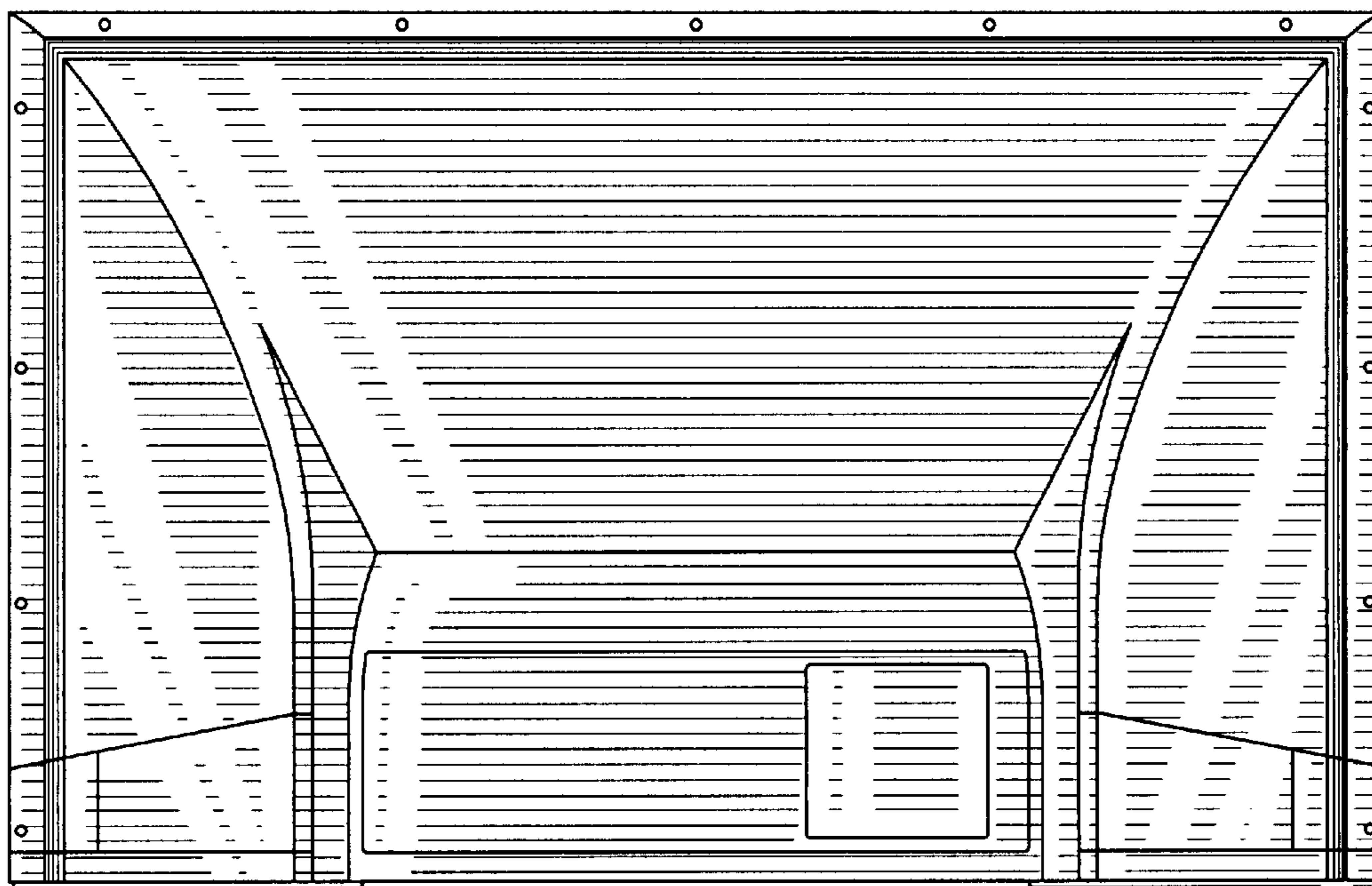


Fig. 4

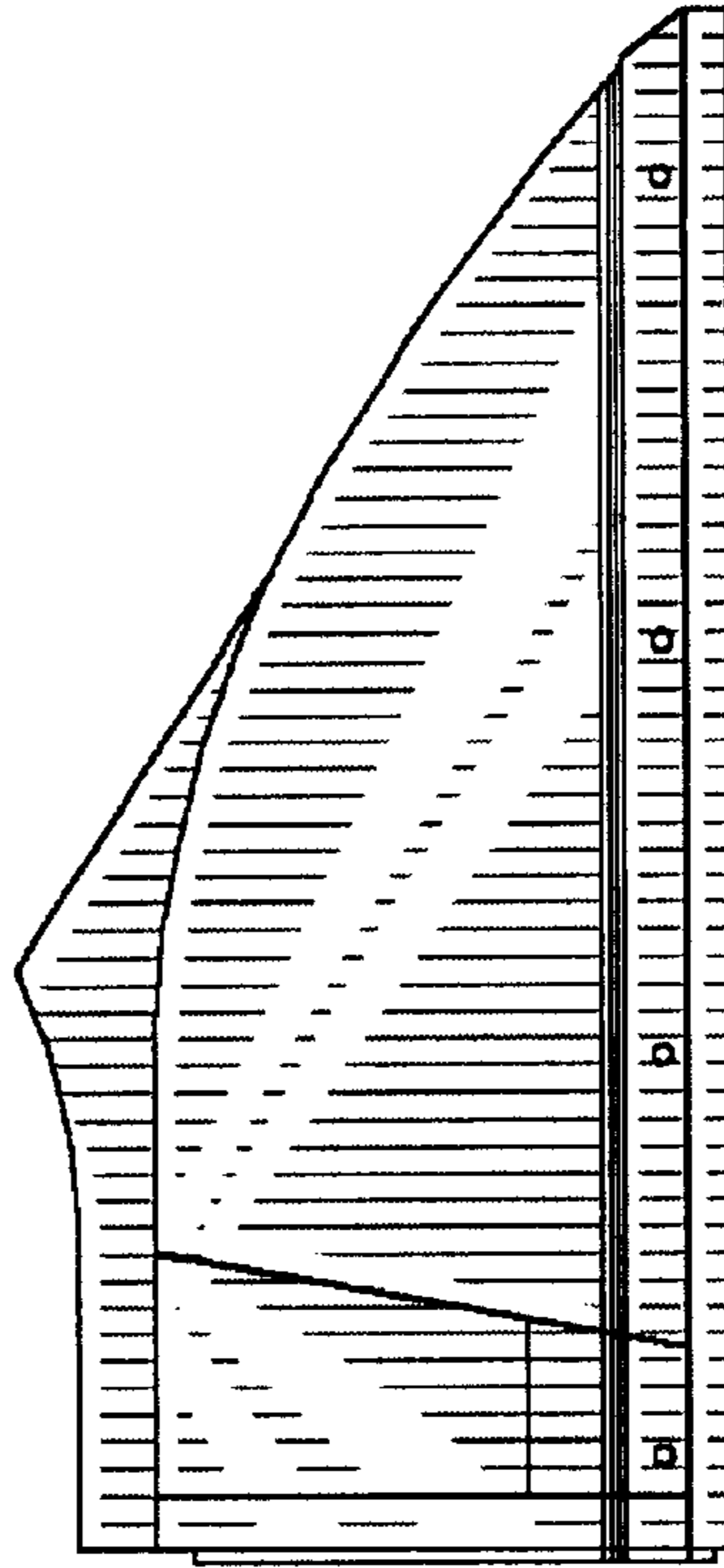


Fig. 5

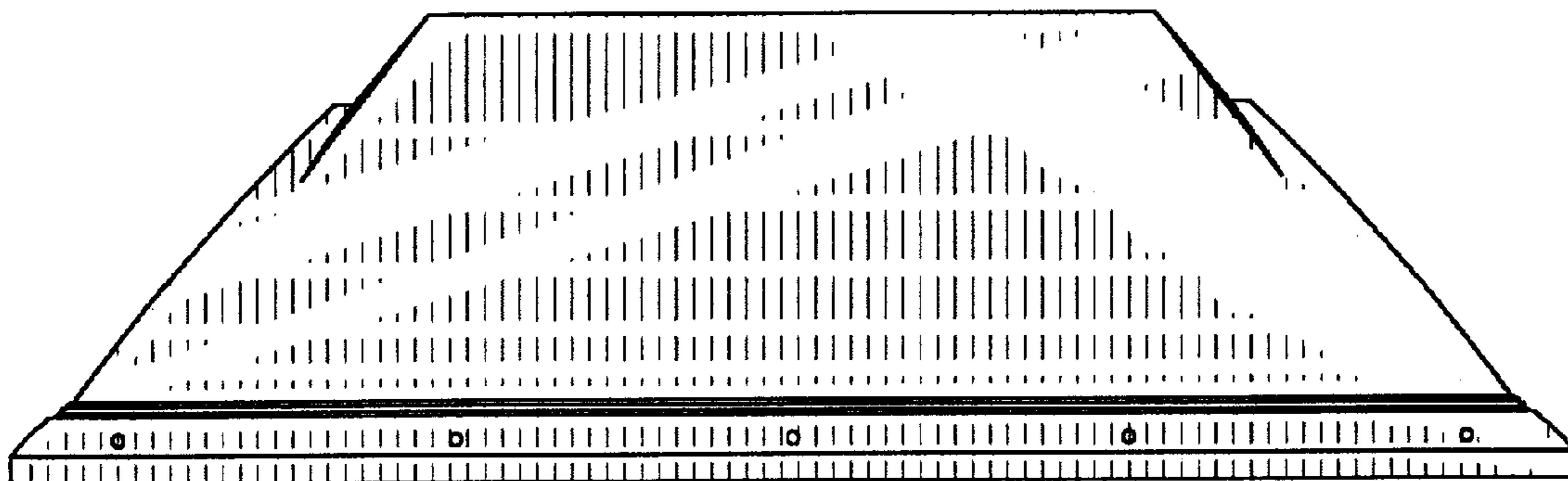


Fig. 6





UNITED STATES PATENT AND TRADEMARK OFFICE  
**CERTIFICATE OF CORRECTION**

PATENT NO. : Des. 512,389 S  
APPLICATION NO. : 29/218141  
DATED : December 6, 2005  
INVENTOR(S) : Sung Gu Joe et al.

Page 1 of 1

It is certified that error appears in the above-identified patent and that said Letters Patent is hereby corrected as shown below:

Title page.

Item [75], Inventor, should read -- **Seung Ho Oh** --.

Signed and Sealed this

Twenty-seventh Day of June, 2006

A handwritten signature in black ink on a dotted background. The signature reads "Jon W. Dudas" in a cursive style.

JON W. DUDAS

*Director of the United States Patent and Trademark Office*