



US00D512384S

(12) **United States Design Patent** (10) **Patent No.:** **US D512,384 S**  
**Suenaga** (45) **Date of Patent:** **\*\* Dec. 6, 2005**

(54) **LIGHT EMITTING DIODE**  
(75) **Inventor:** **Ryoma Suenaga, Tokushima-Ken (JP)**  
(73) **Assignee:** **Nichia Corporation, Tokushima (JP)**  
(\*\*) **Term:** **14 Years**  
(21) **Appl. No.:** **29/222,795**  
(22) **Filed:** **Feb. 3, 2005**

4,791,648 A \* 12/1988 Vojak et al. .... 372/46  
6,495,861 B1 \* 12/2002 Ishinaga ..... 257/99  
6,518,601 B2 \* 2/2003 Wirth ..... 257/98  
D476,961 S \* 7/2003 Horiuchi et al. .... D13/182  
6,586,721 B2 \* 7/2003 Estevez-Garcia ..... 250/221  
6,610,563 B1 \* 8/2003 Waitl et al. .... 438/166  
6,624,491 B2 \* 9/2003 Waitl et al. .... 257/434  
6,707,069 B2 \* 3/2004 Song et al. .... 257/79  
D491,899 S \* 6/2004 Yagi ..... D13/180

\* cited by examiner

**Related U.S. Application Data**

(62) Division of application No. 29/193,793, filed on Nov. 14, 2003, now Pat. No. Des. 505,661.

*Primary Examiner*—Stella Reid  
*Assistant Examiner*—Selina Sikder  
(74) *Attorney, Agent, or Firm*—Osha Liang LLP

(30) **Foreign Application Priority Data**

Jul. 9, 2003 (JP) ..... 2003-019861  
Jul. 9, 2003 (JP) ..... 2003-019862  
Jul. 9, 2003 (JP) ..... 2003-019863  
Jul. 9, 2003 (JP) ..... 2003-019865  
Jul. 9, 2003 (JP) ..... 2003-019866  
Jul. 9, 2003 (JP) ..... 2003-019867  
Jul. 9, 2003 (JP) ..... 2003-019868  
Jul. 9, 2003 (JP) ..... 2003-019869  
Jul. 9, 2003 (JP) ..... 2003-019870

(57) **CLAIM**

The ornamental design for a light emitting diode, as shown and described.

(51) **LOC (8) Cl.** ..... **13-03**  
(52) **U.S. Cl.** ..... **D13/180**  
(58) **Field of Search** ..... D13/180, 182;  
257/76, 79, 88, 89, 93-99, 434, 676, 678,  
687, 690, 698, 787; 313/498, 499, 500;  
361/760, 820; 362/226, 241, 249, 250,  
307, 555, 800

**DESCRIPTION**

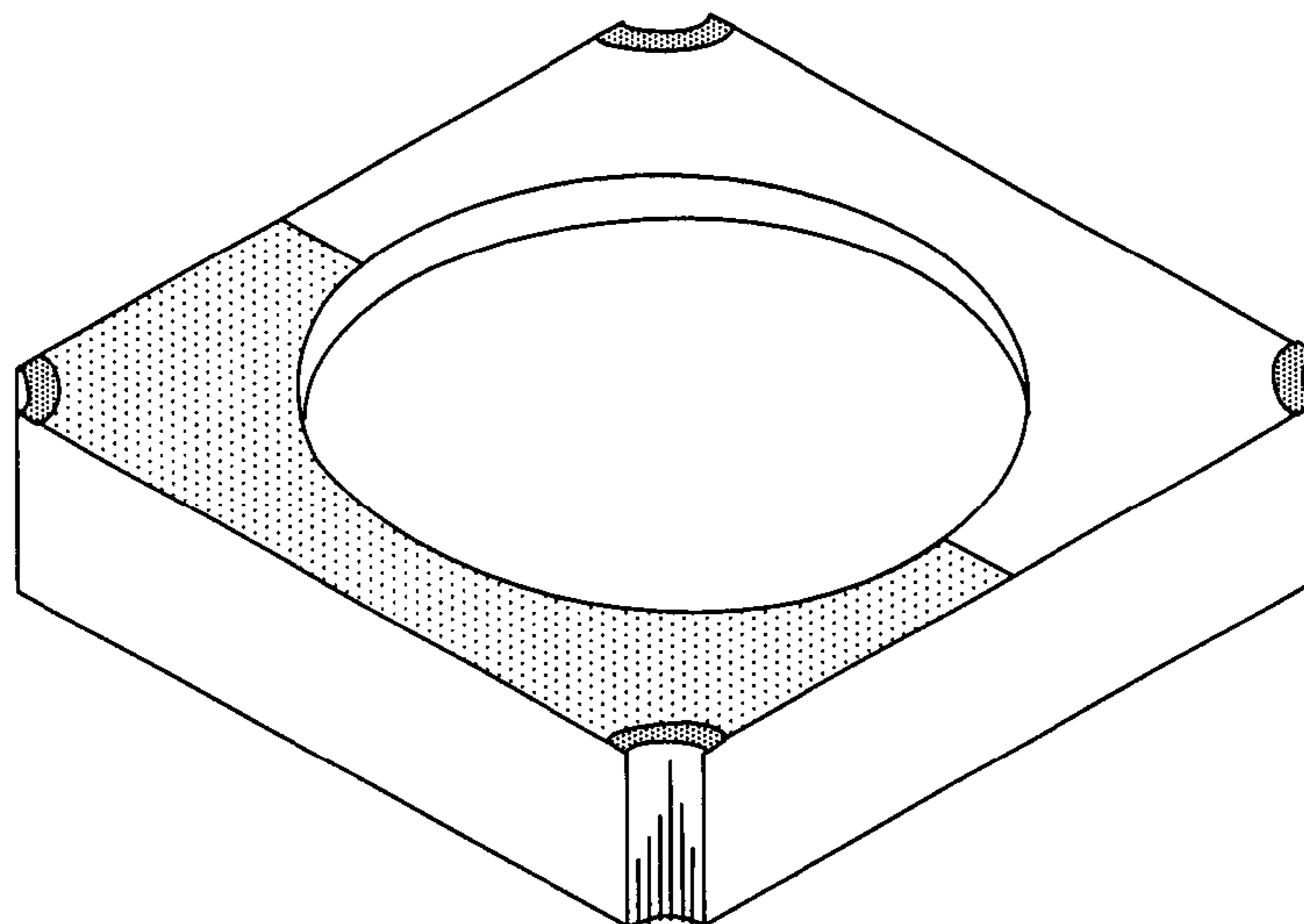
FIG. 1 shows a front view of the design according to a first embodiment.  
FIG. 2 shows a rear view of the design thereof.  
FIG. 3 shows a plan view of the design thereof.  
FIG. 4 shows a right side view of the design thereof.  
FIG. 5 shows a perspective view of the design thereof; and,  
FIG. 6 shows a perspective view of a second embodiment of FIG. 1.  
The left side view is a mirror image of its corresponding right side view.  
The bottom view is a mirror image of its corresponding plan view.  
The different types of stippling show a contrast in materials.

(56) **References Cited**

**U.S. PATENT DOCUMENTS**

4,214,251 A \* 7/1980 Schairer ..... 257/99

**1 Claim, 3 Drawing Sheets**



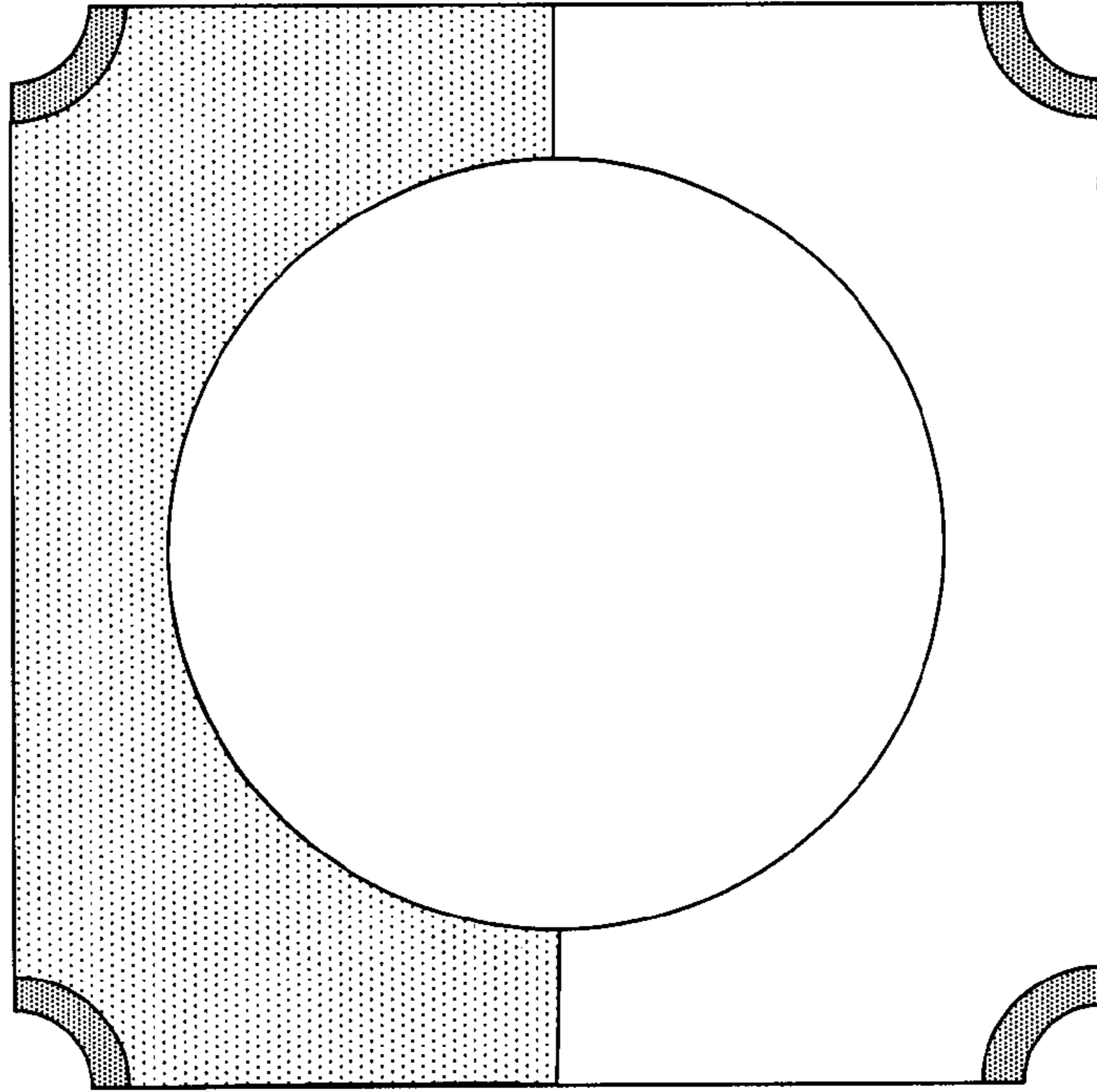


FIGURE 1

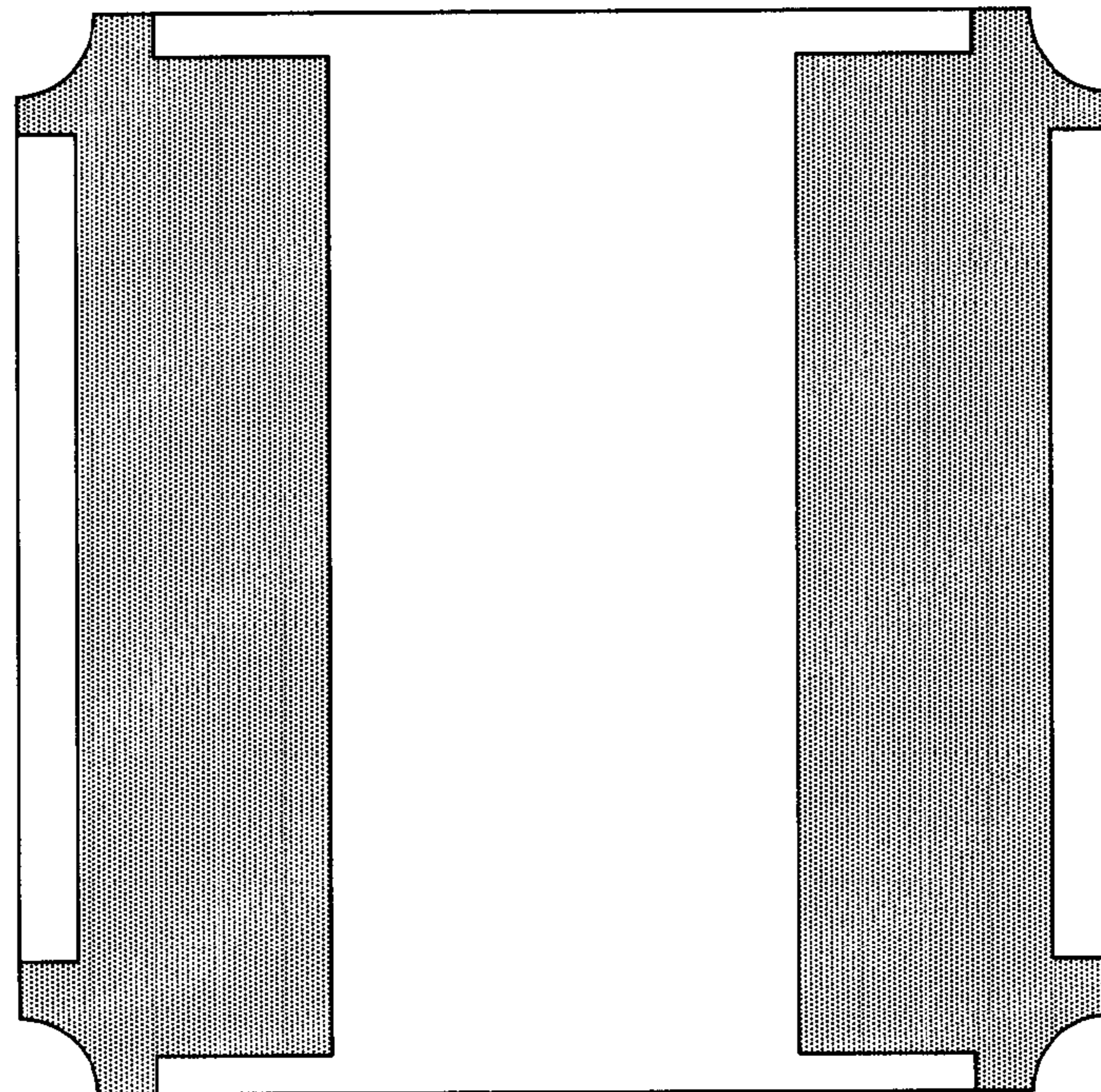


FIGURE 2

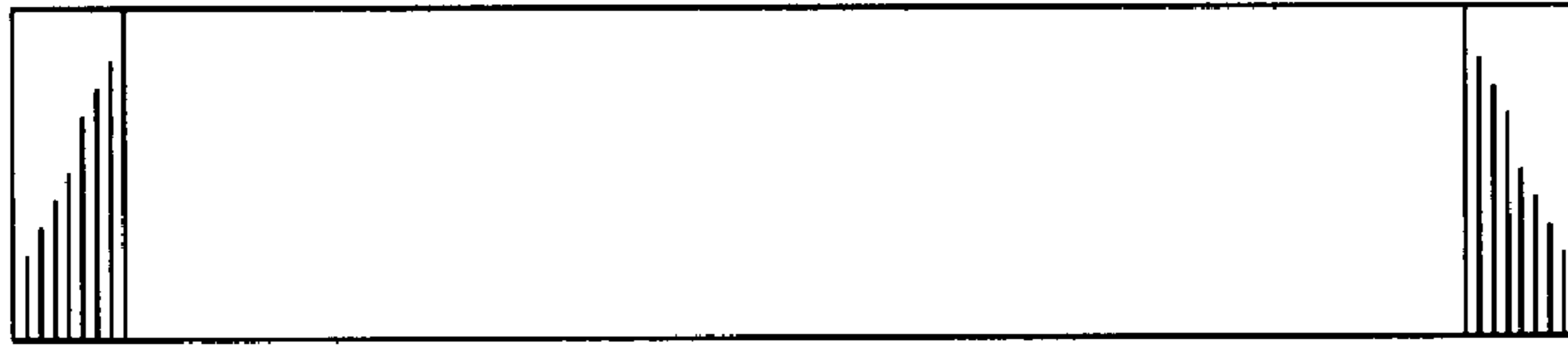


FIGURE 3

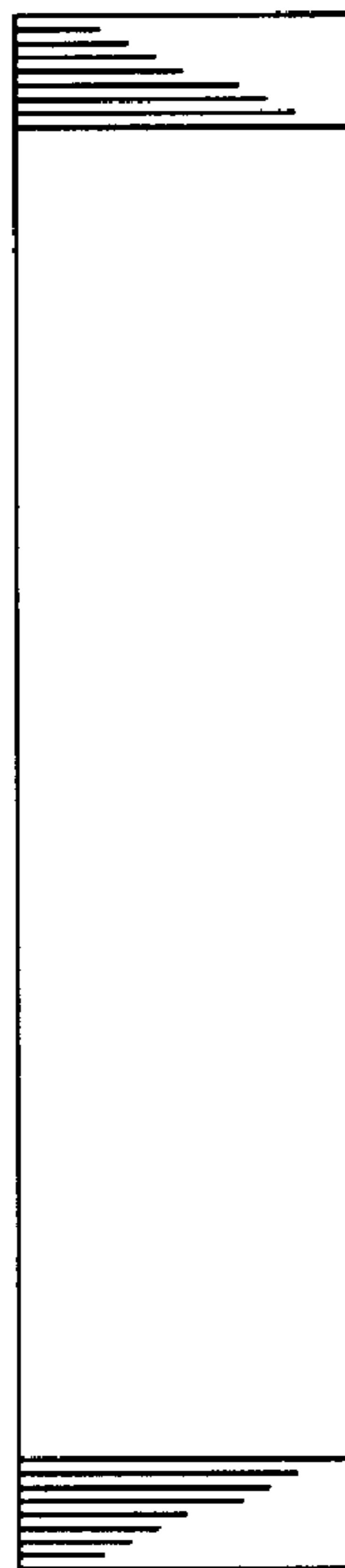


FIGURE 4

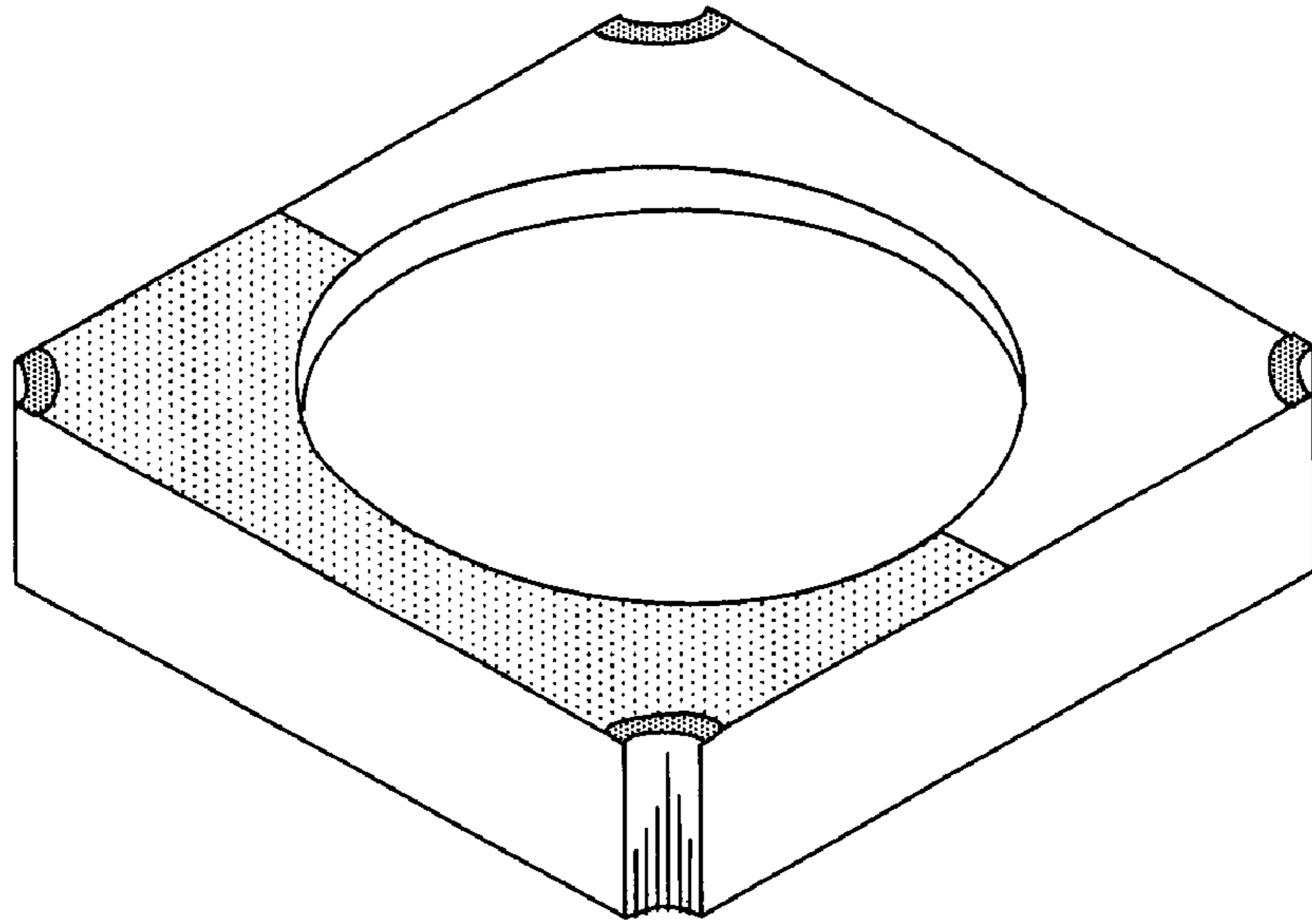


Figure 5

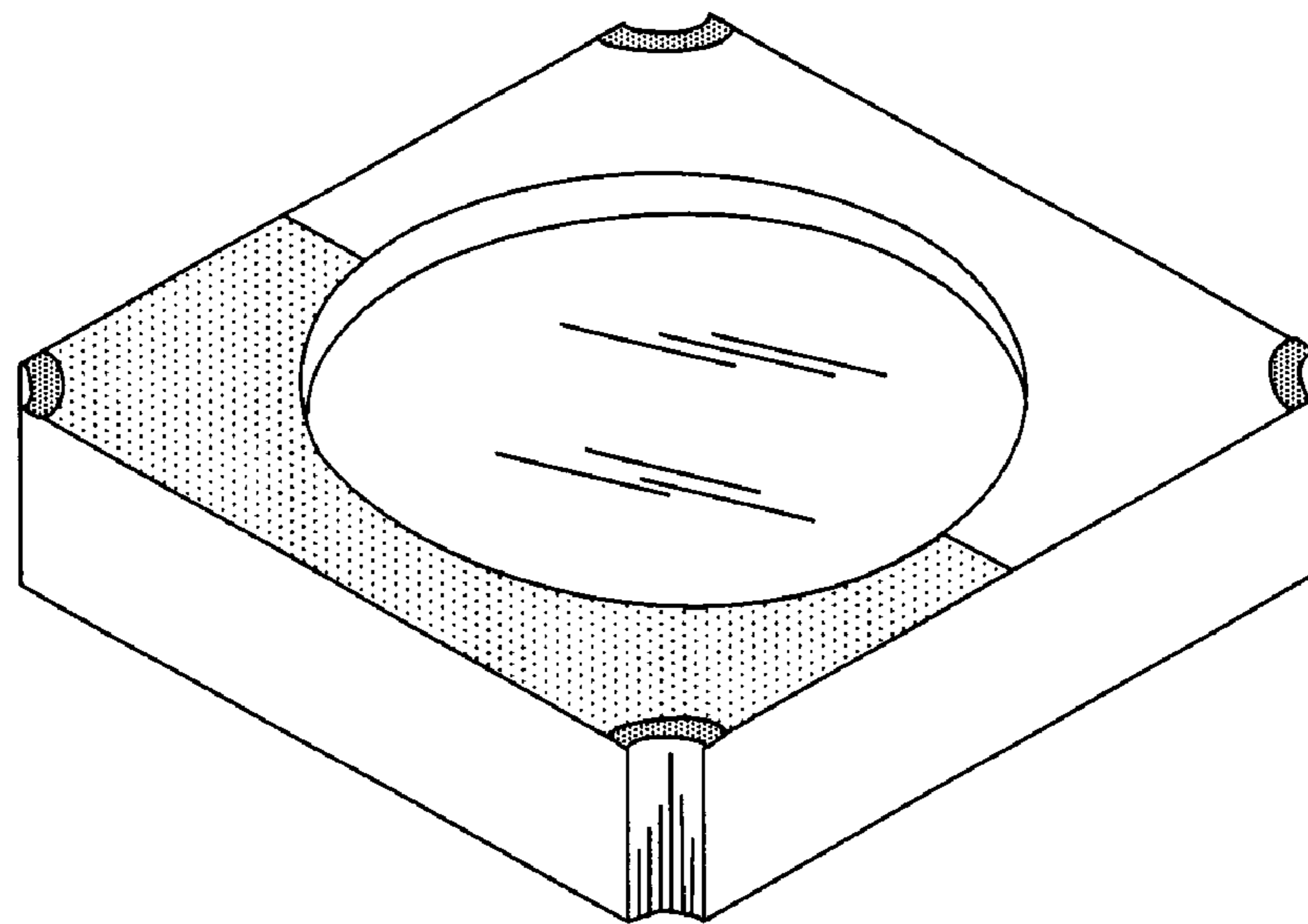


Figure 6