



US00D512382S

(12) **United States Design Patent**
Mahoney

(10) **Patent No.:** **US D512,382 S**

(45) **Date of Patent:** **** Dec. 6, 2005**

(54) **GROUND WIRE CONNECTION PORTION**

(75) Inventor: **William G. Mahoney**, Suwanee, GA (US)

(73) Assignee: **Scientific-Atlanta, Inc.**, Lawrenceville, GA (US)

(**) Term: **14 Years**

(21) Appl. No.: **29/204,750**

(22) Filed: **May 4, 2004**

(51) **LOC (8) Cl.** **13-03**

(52) **U.S. Cl.** **D13/154**

(58) **Field of Search** D13/149, 154,
D13/151; D14/188, 239; 439/98, 778-782,
791, 793, 807, 815, 901, 92, 100; 248/61,
68, 74.1

(56) **References Cited**

U.S. PATENT DOCUMENTS

2,083,606	A	*	6/1937	Johansson	439/791
D195,623	S	*	7/1963	Leonardo	D13/149
4,106,832	A	*	8/1978	Burns	439/100
D302,420	S	*	7/1989	McGrane	D13/151
5,011,416	A	*	4/1991	Gladden et al.	430/98
5,055,056	A		10/1991	Auclair et al.	439/98
5,364,281	A		11/1994	Leto	439/100
D361,750	S	*	8/1995	Ansley	D13/151
6,159,057	A	*	12/2000	Bernardini	439/801

OTHER PUBLICATIONS

“Motorola Broadband Signal Splitter” Overview, Motorola.com website, Motorola, Inc., 2004, p. 1.

“Motorola Signal Booster” Overview, Motorola.com website, Motorola, Inc., 2004, p. 1.

* cited by examiner

Primary Examiner—Alan P. Douglas

Assistant Examiner—Cynthia M. Chin

(74) *Attorney, Agent, or Firm*—Wm. Brook Lafferty

(57) **CLAIM**

The ornamental design for a ground wire connection portion, as shown and described.

DESCRIPTION

This design application is related to U.S. utility application Ser. No. 10/838,631 entitled “Indicator for Mounting Ground Wire”, U.S. utility application Ser. No. 10/838,630 entitled “Mounting Tabs Arrangement”, U.S. design application Ser. No. 29/204,749 entitled “Housing Assembly Surface Configuration”, and U.S. design application Ser. No. 29/204,788 entitled “Housing Assembly With Ground Wire Connection”, all to the same inventor, which are incorporated herein by reference, and having been filed concurrently with the present design application.

FIG. 1 is a perspective view of a new ground wire connection portion according to the present invention;

FIG. 2 is a front view of the design shown in FIG. 1;

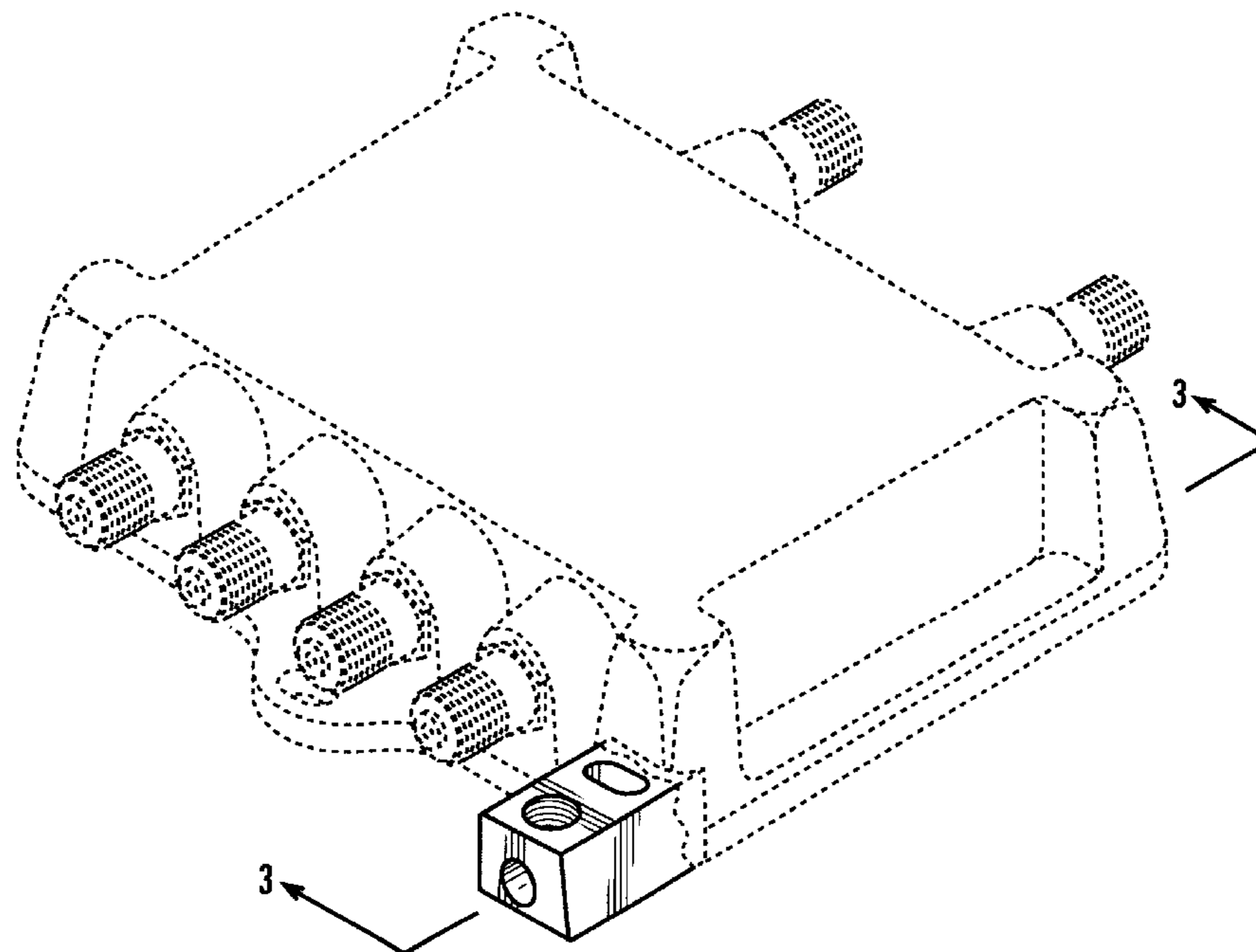
FIG. 3 is a cross section view of the design shown in FIG. 1 taken along line 3—3;

FIG. 4 is a top view of the design shown in FIG. 1; and,

FIG. 5 is a bottom view of the design shown in FIG. 1.

The broken lines in the drawings are for illustrative purposes only and form no part of the claimed design.

1 Claim, 3 Drawing Sheets



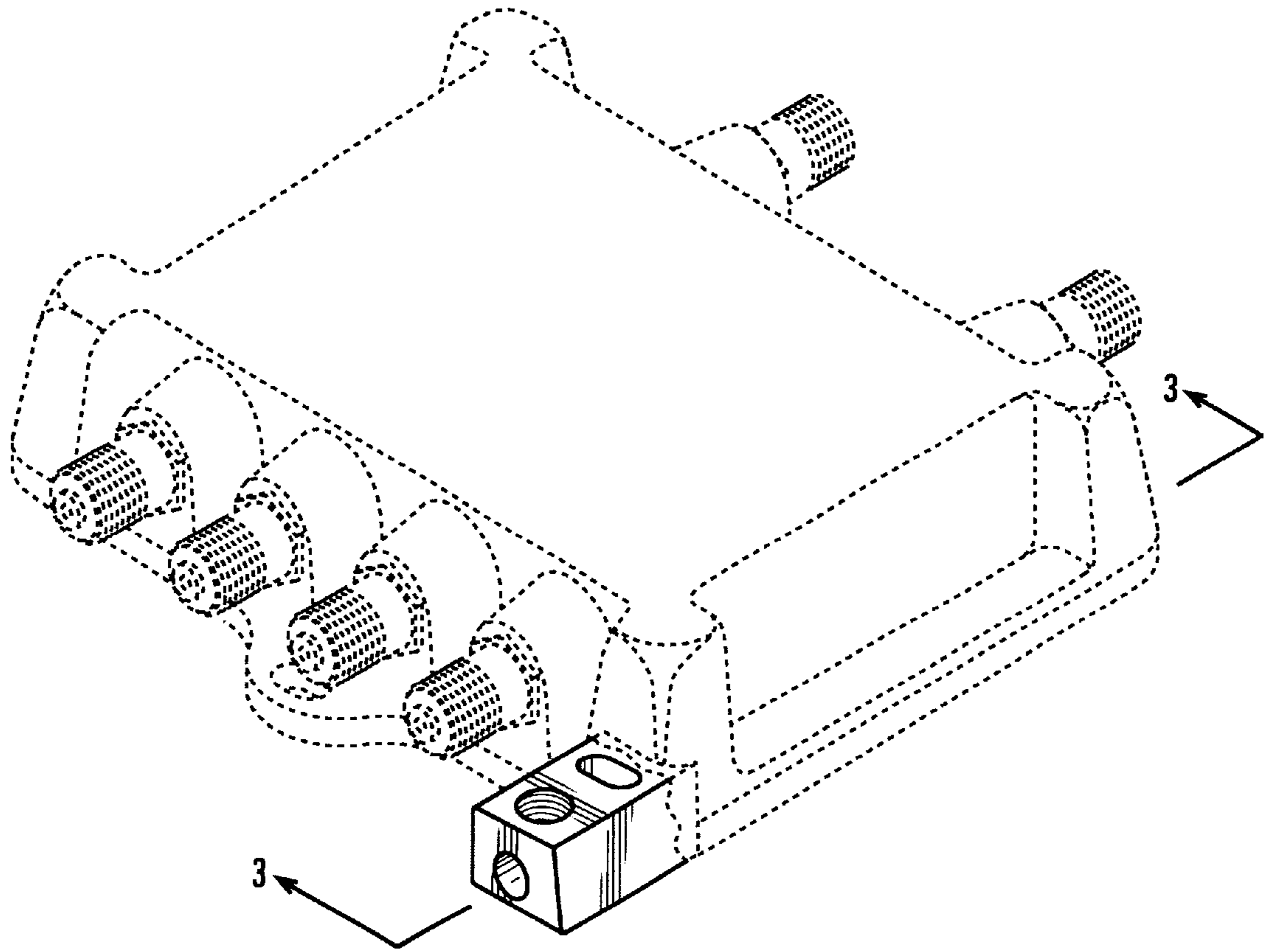


Fig. 1

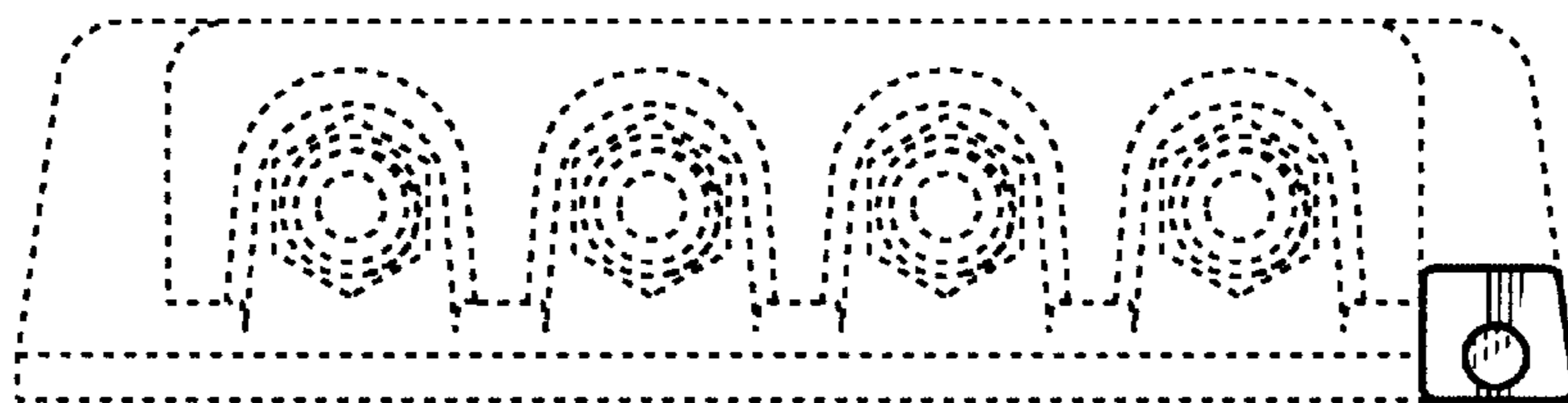


Fig. 2

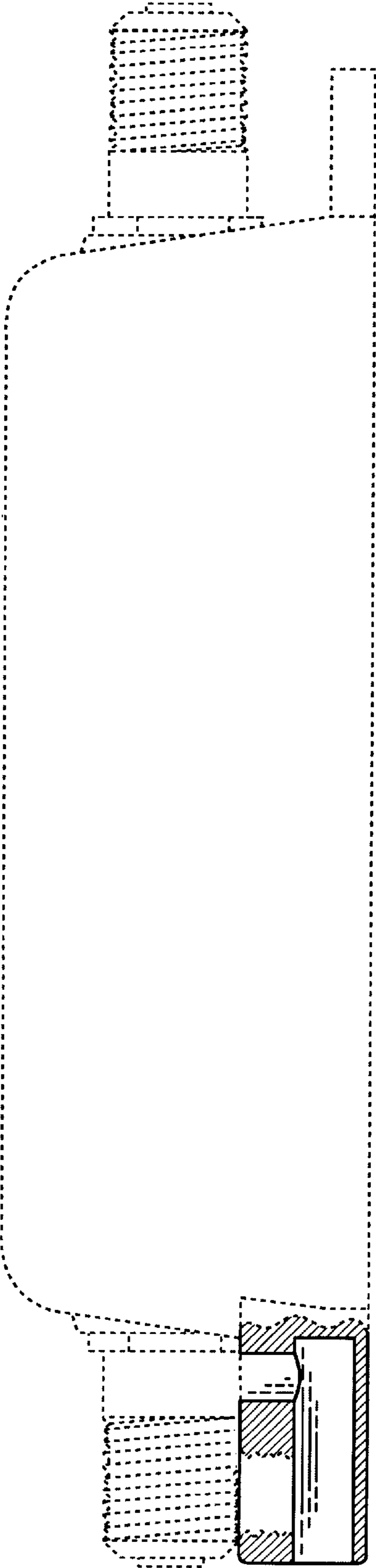


Fig. 3

Fig. 4

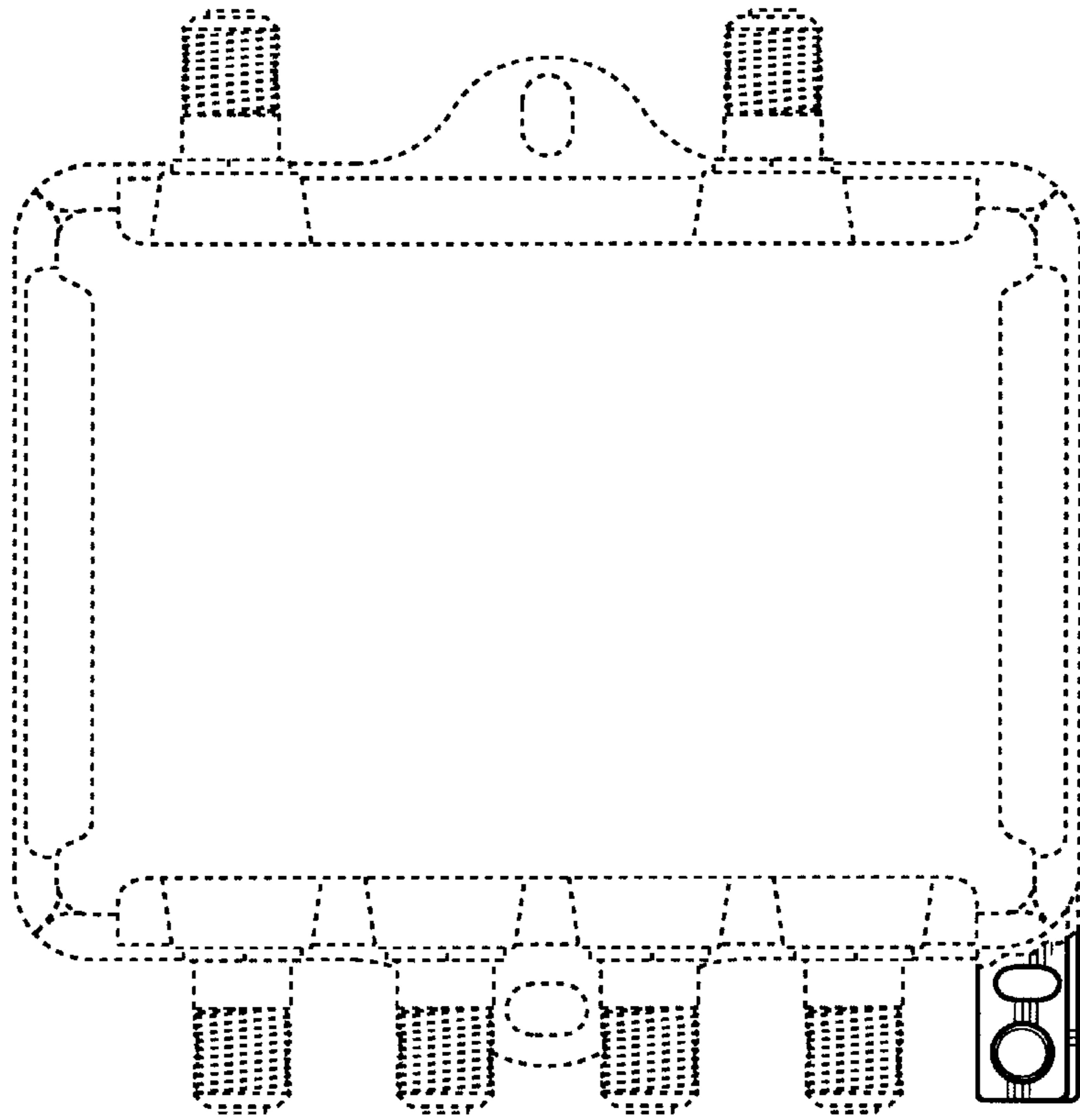


Fig. 5

