

US00D512381S

(12) **United States Design Patent**
Sirichai et al.

(10) **Patent No.: US D512,381 S**
(45) **Date of Patent: ** Dec. 6, 2005**

(54) **CABLE HEAD**

D442,553 S * 5/2001 Urban et al. D13/153
D475,018 S * 5/2003 Ashida et al. D13/147

(75) Inventors: **Saharut Sirichai**, Culver City, CA
(US); **David Goetz**, Los Angeles, CA
(US); **Mitchell Suckle**, Long Beach,
CA (US)

* cited by examiner

Primary Examiner—Holly Baynham
Assistant Examiner—Cynthia M. Chin
(74) *Attorney, Agent, or Firm*—Bryan Cave LLP

(73) Assignee: **Belkin Corporation**, Compton, CA
(US)

(57) **CLAIM**

(**) Term: **14 Years**

We claim the ornamental design for a cable head, as shown and described.

(21) Appl. No.: **29/196,965**

DESCRIPTION

(22) Filed: **Jan. 7, 2004**

FIG. 1 is a bottom view of the cable head;
FIG. 2 is a right side elevational view thereof, the left side
elevational view being a mirror image of the right side
elevational view;
FIG. 3 is a rear elevational view thereof;
FIG. 4 is a front elevational view thereof;
FIG. 5 is a rear, left bottom isometric view thereof;
FIG. 6 is a front, right, top isometric view thereof; and,
FIG. 7 is a top view thereof.

(51) **LOC (8) Cl.** **13-03**

(52) **U.S. Cl.** **D13/154**

(58) **Field of Search** D13/133, 146,
D13/147, 154, 156; 439/502, 459, 304,
610

The broken lines in the drawings are for illustrative purposes only and form no part of the claimed design.

(56) **References Cited**

U.S. PATENT DOCUMENTS

D340,241 S * 10/1993 Nakamura D13/146
D416,542 S * 11/1999 Tsai D13/153

1 Claim, 2 Drawing Sheets

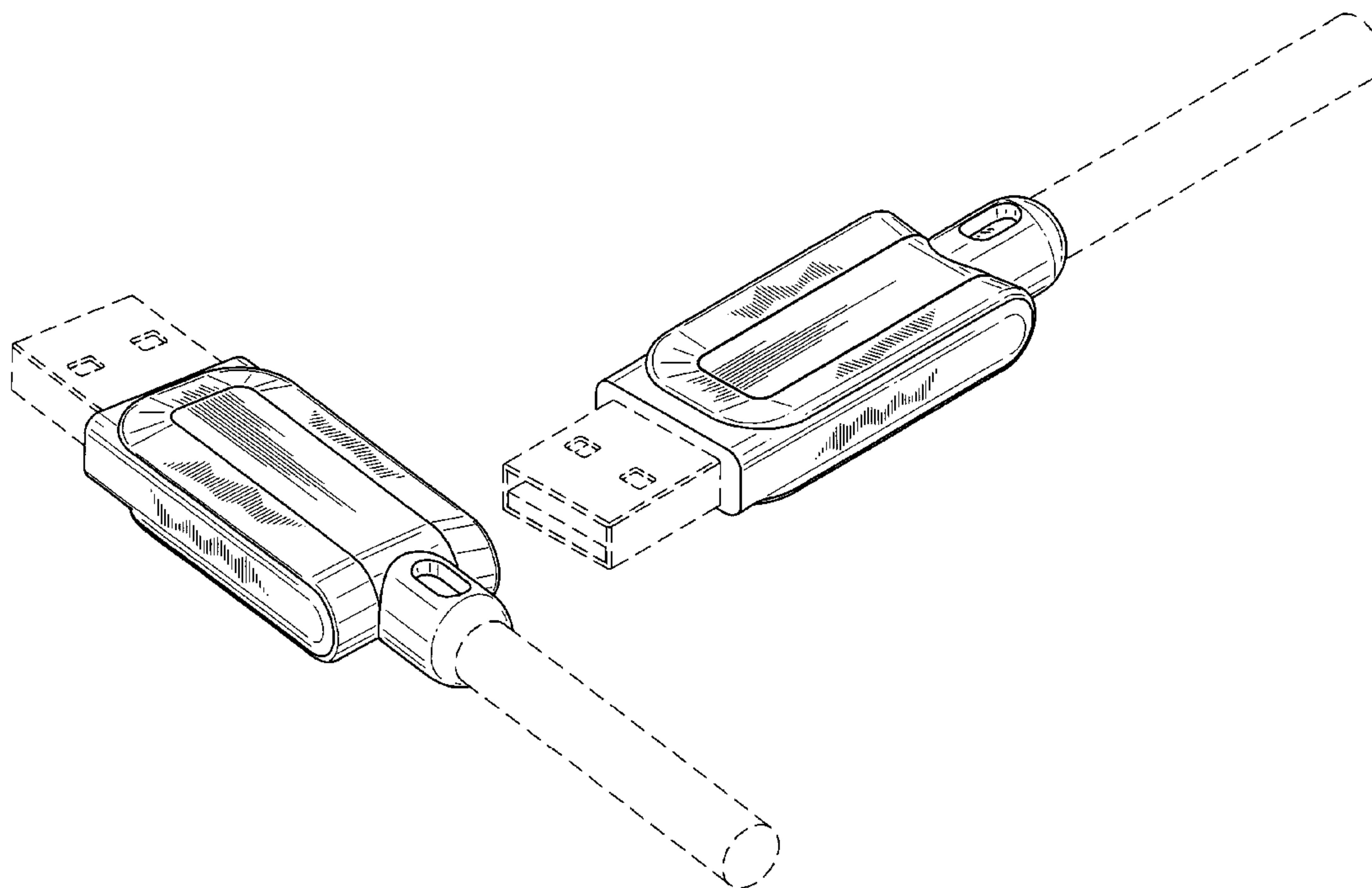


FIG.1

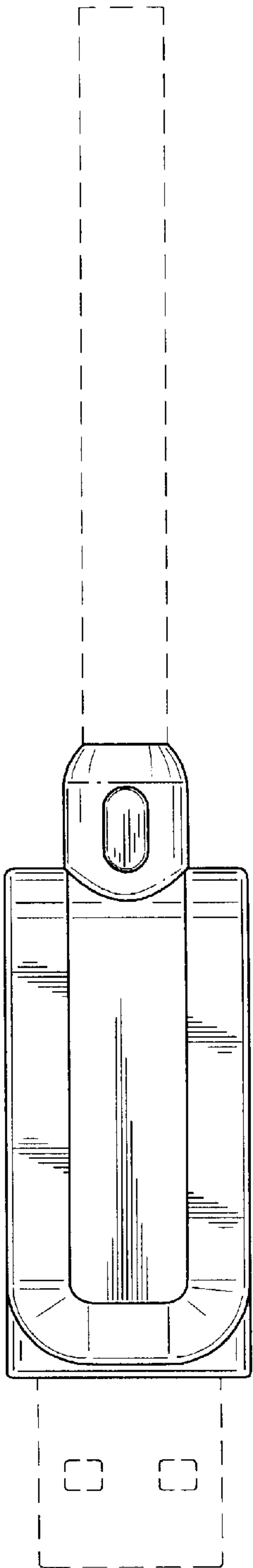


FIG.2

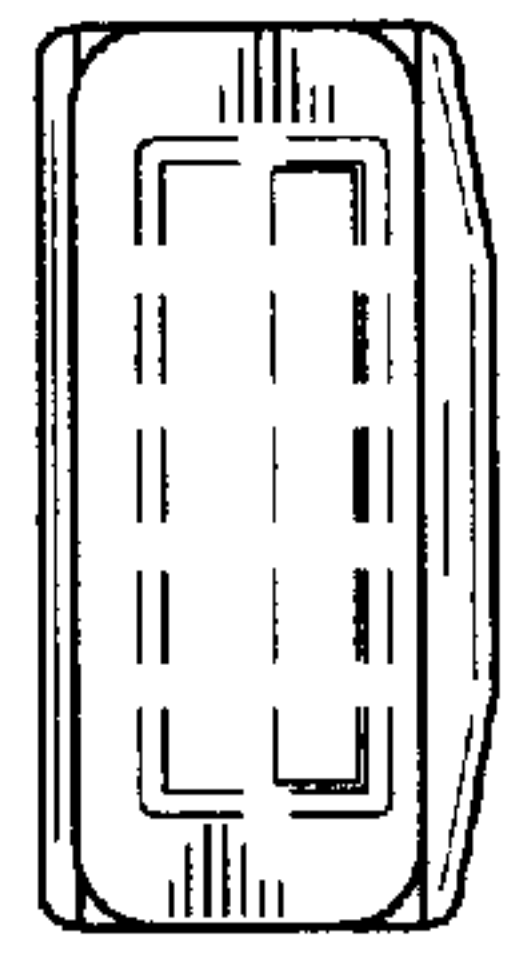
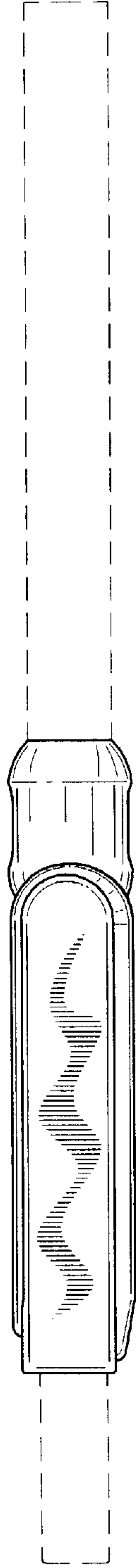


FIG.4

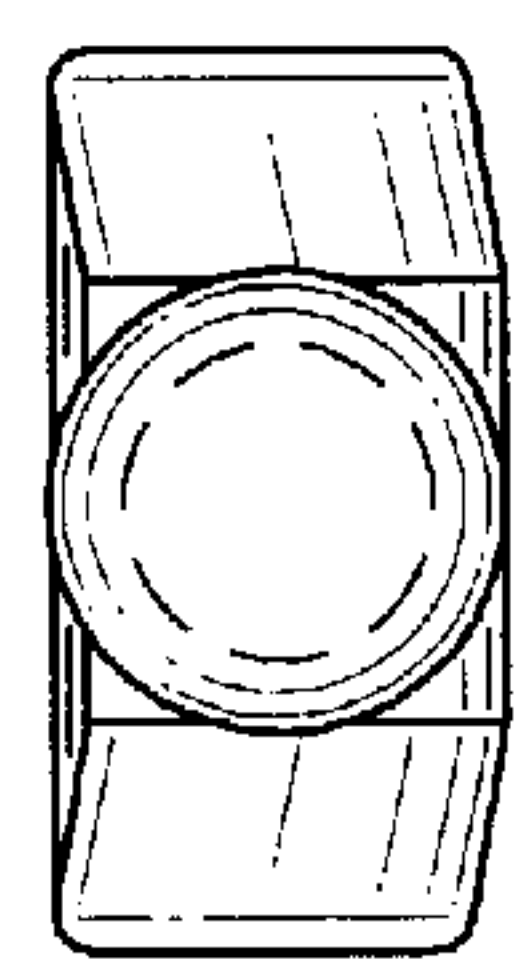


FIG.3

FIG.7

