



US00D512378S

(12) **United States Design Patent**
Dobler

(10) **Patent No.: US D512,378 S**
(45) **Date of Patent: ** Dec. 6, 2005**

(54) **CABLE CONNECTOR**

(75) Inventor: **Oliver Dobler**, Tschagguns (AT)

(73) Assignee: **Neutrik Aktiengesellschaft**, Schaan (LI)

(**) Term: **14 Years**

(21) Appl. No.: **29/212,668**

(22) Filed: **Sep. 3, 2004**

(30) **Foreign Application Priority Data**

Mar. 17, 2004 (EM) 000152970

(51) **LOC (8) Cl. 13-03**

(52) **U.S. Cl. D13/146**

(58) **Field of Search** D13/133, 146-147,
D13/154, 185, 199; 439/108, 314-316,
322, 337, 357-378, 607-610, 644, 649,
671, 675, 677, 680

(56) **References Cited**

U.S. PATENT DOCUMENTS

D162,795 S * 4/1951 De Tar D13/146
3,721,939 A * 3/1973 Paugh 439/354
D233,991 S * 12/1974 Smith et al. D13/151
4,630,876 A * 12/1986 Grunberg et al. 439/293
D399,188 S * 10/1998 Lin D13/146
D413,100 S * 8/1999 Nakazawa D13/146
D415,469 S * 10/1999 Lee D13/146

D434,003 S * 11/2000 Brisson D13/146
6,203,349 B1 * 3/2001 Nakazawa 439/319
D472,523 S * 4/2003 Hansen D13/146
D491,526 S * 6/2004 D'Addario et al. D13/146
6,808,407 B1 * 10/2004 Cannon 439/314
D501,826 S * 2/2005 Bachmann D13/149

FOREIGN PATENT DOCUMENTS

WO DM/057379 (15) * 9/2001
WO DM/059612 (15) * 4/2002

* cited by examiner

Primary Examiner—Stella Reid
Assistant Examiner—Daniel Bui
(74) *Attorney, Agent, or Firm*—Neal L. Slifkin

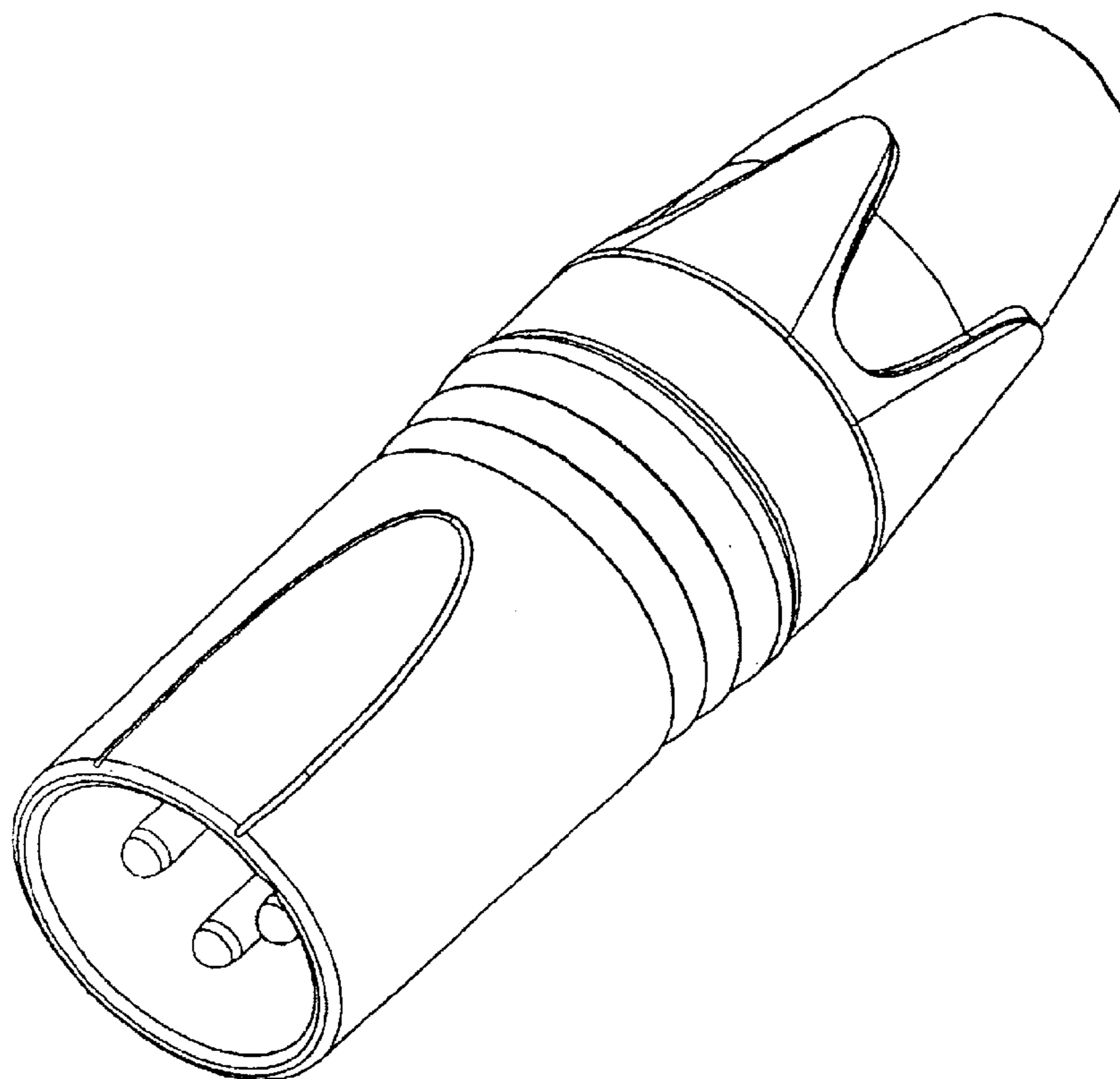
(57) **CLAIM**

The ornamental design for a cable connector, as shown and described.

DESCRIPTION

FIG. 1 is a perspective view of a cable connector showing my new design;
FIG. 2 is a second perspective view thereof;
FIG. 3 is a right side elevation view thereof;
FIG. 4 is a top plan view thereof;
FIG. 5 is a left side elevation view thereof;
FIG. 6 is a front plan view thereof;
FIG. 7 is a rear elevation view thereof; and,
FIG. 8 is a bottom elevation view thereof.

1 Claim, 3 Drawing Sheets



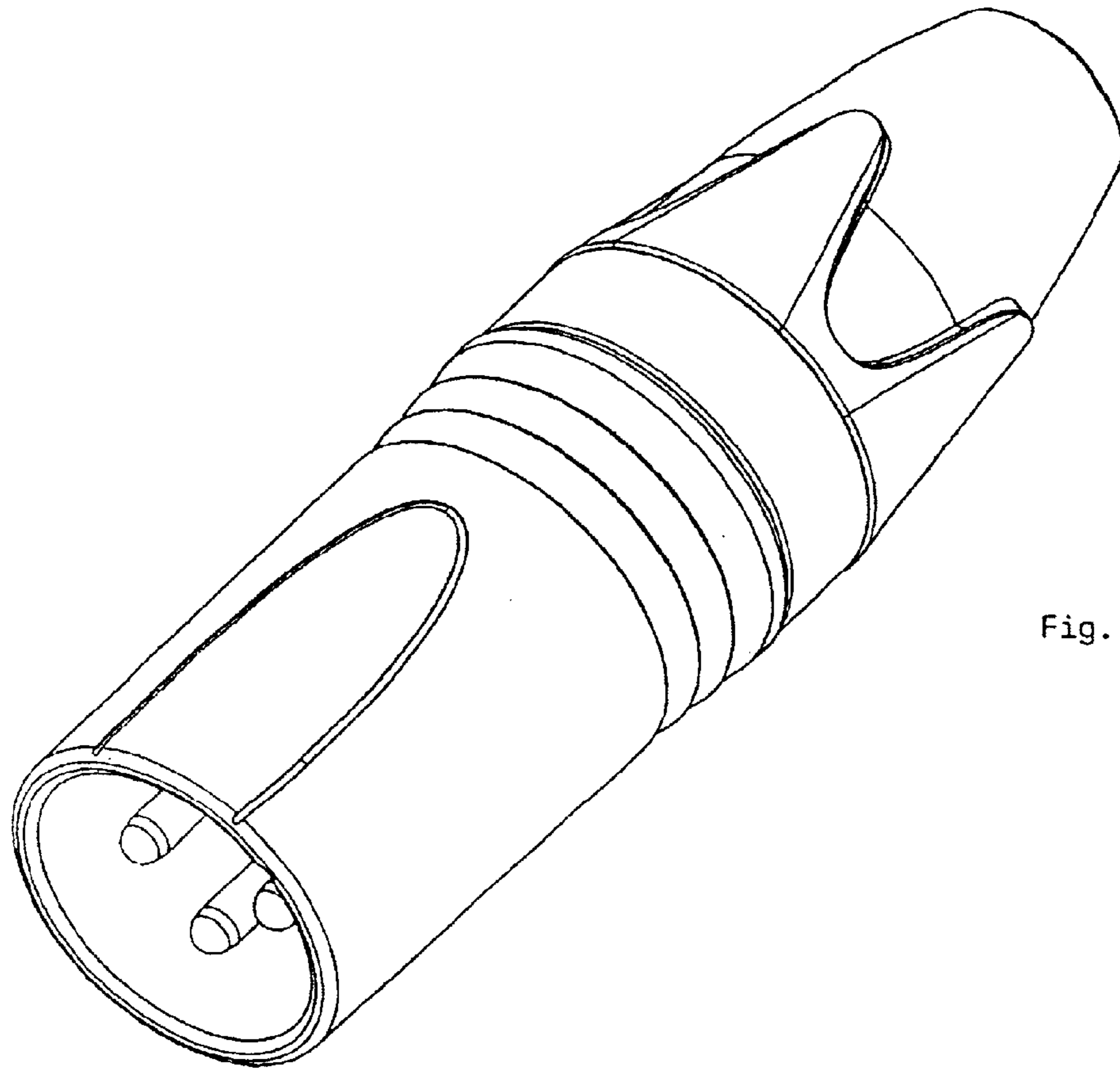


Fig. 1

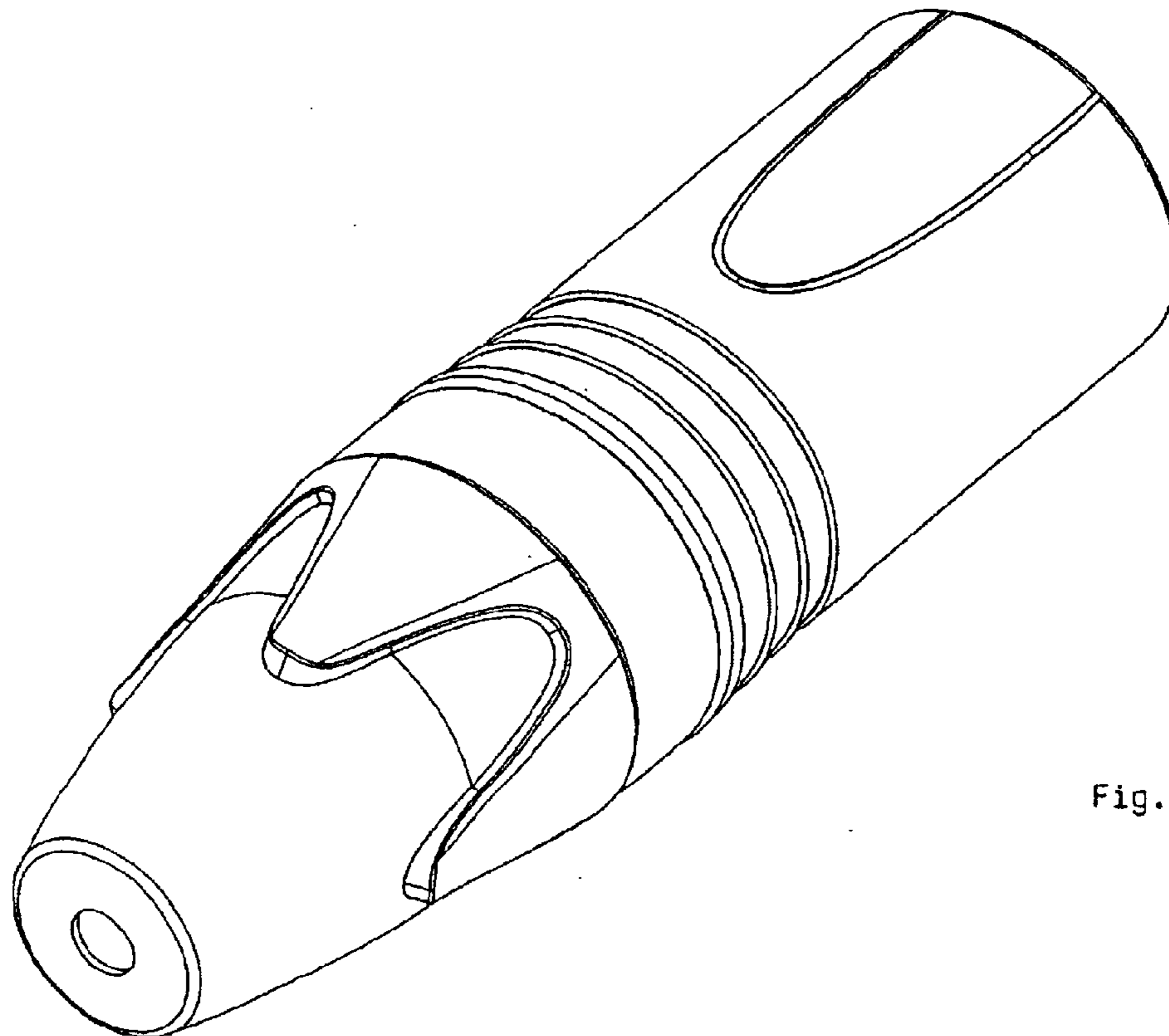


Fig. 2

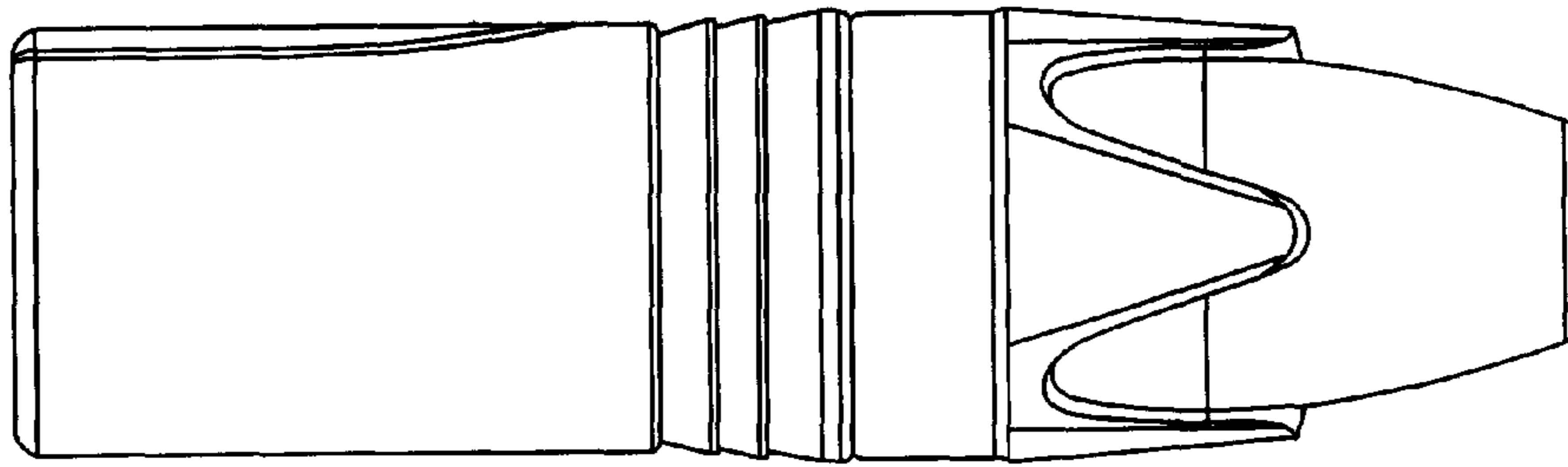


FIG. 3

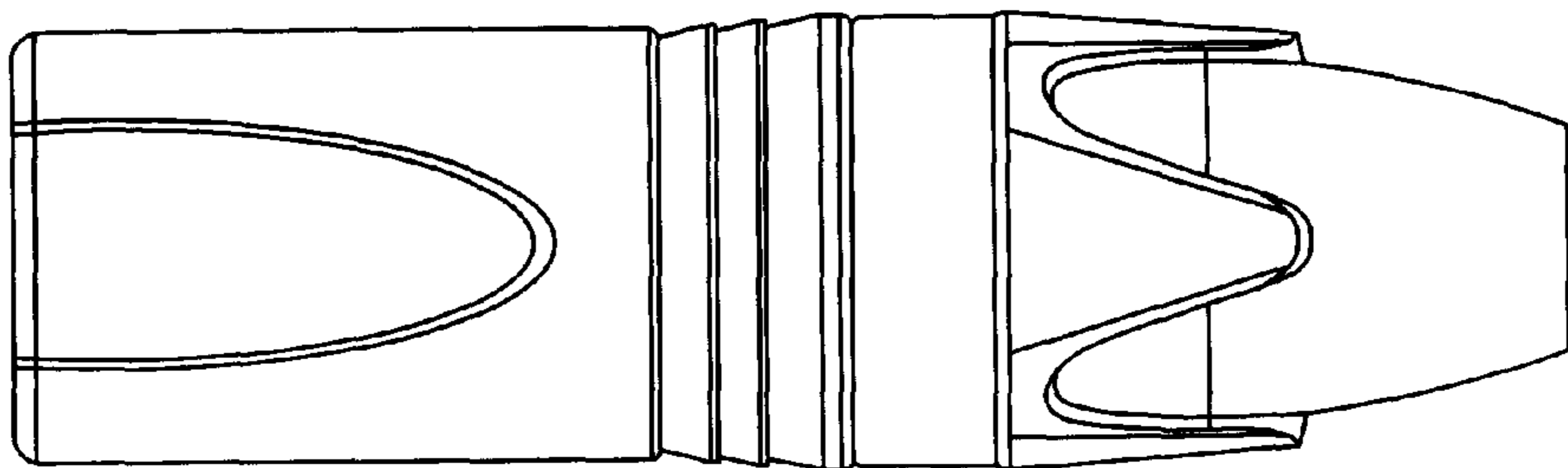


FIG. 4

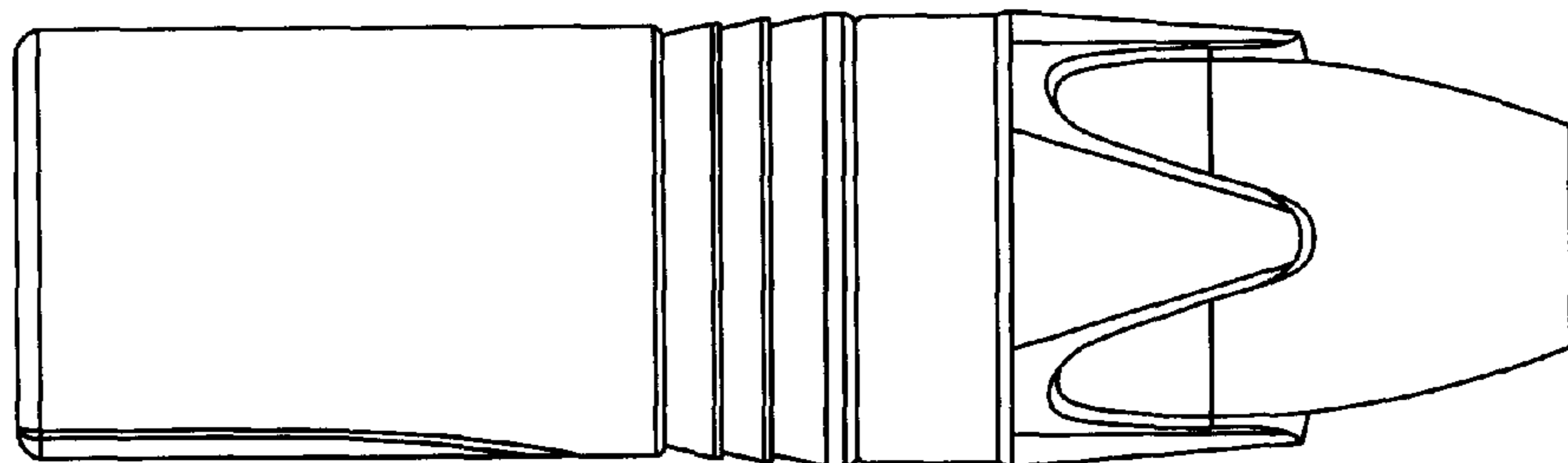


FIG. 5

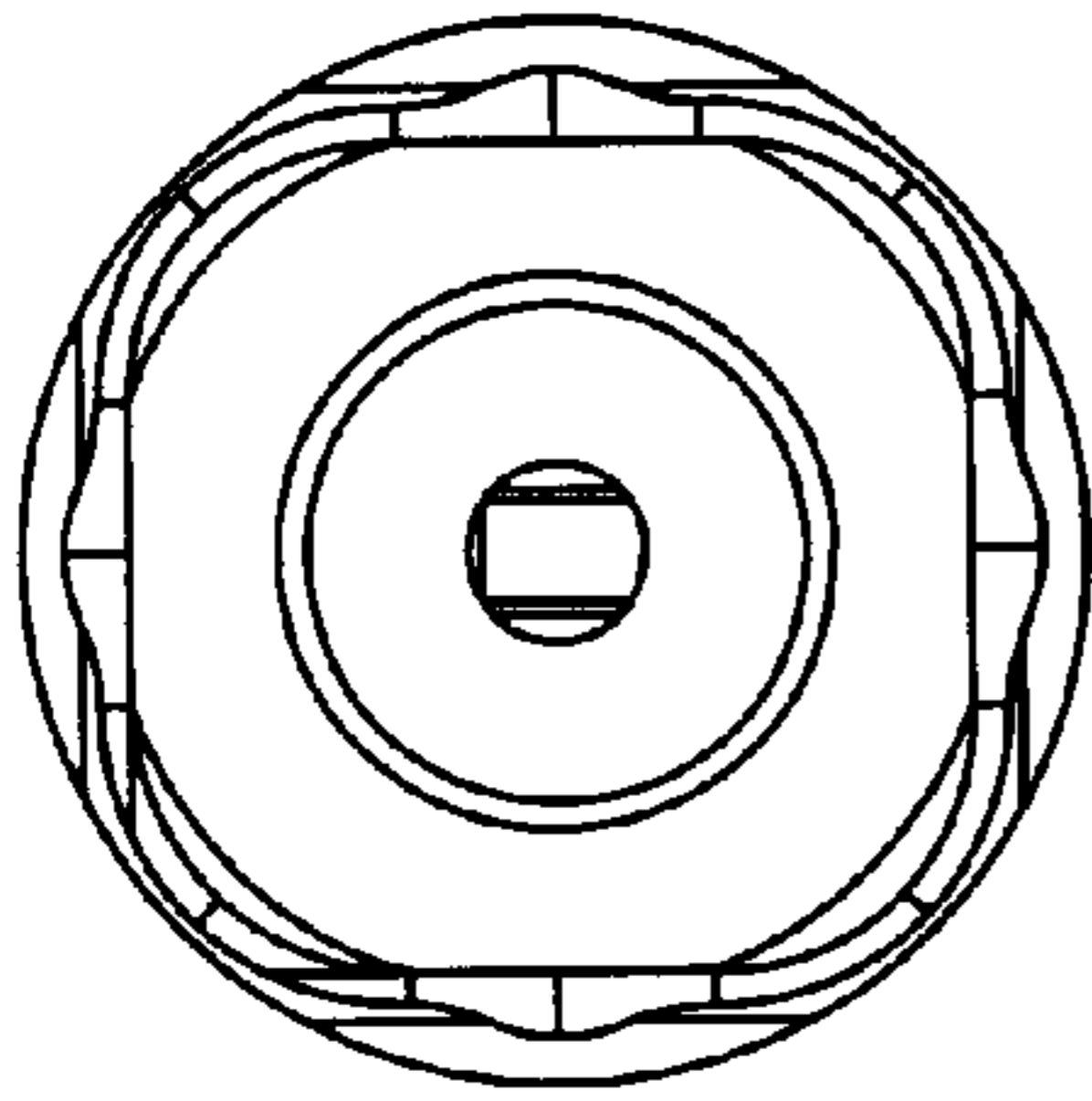


FIG. 6

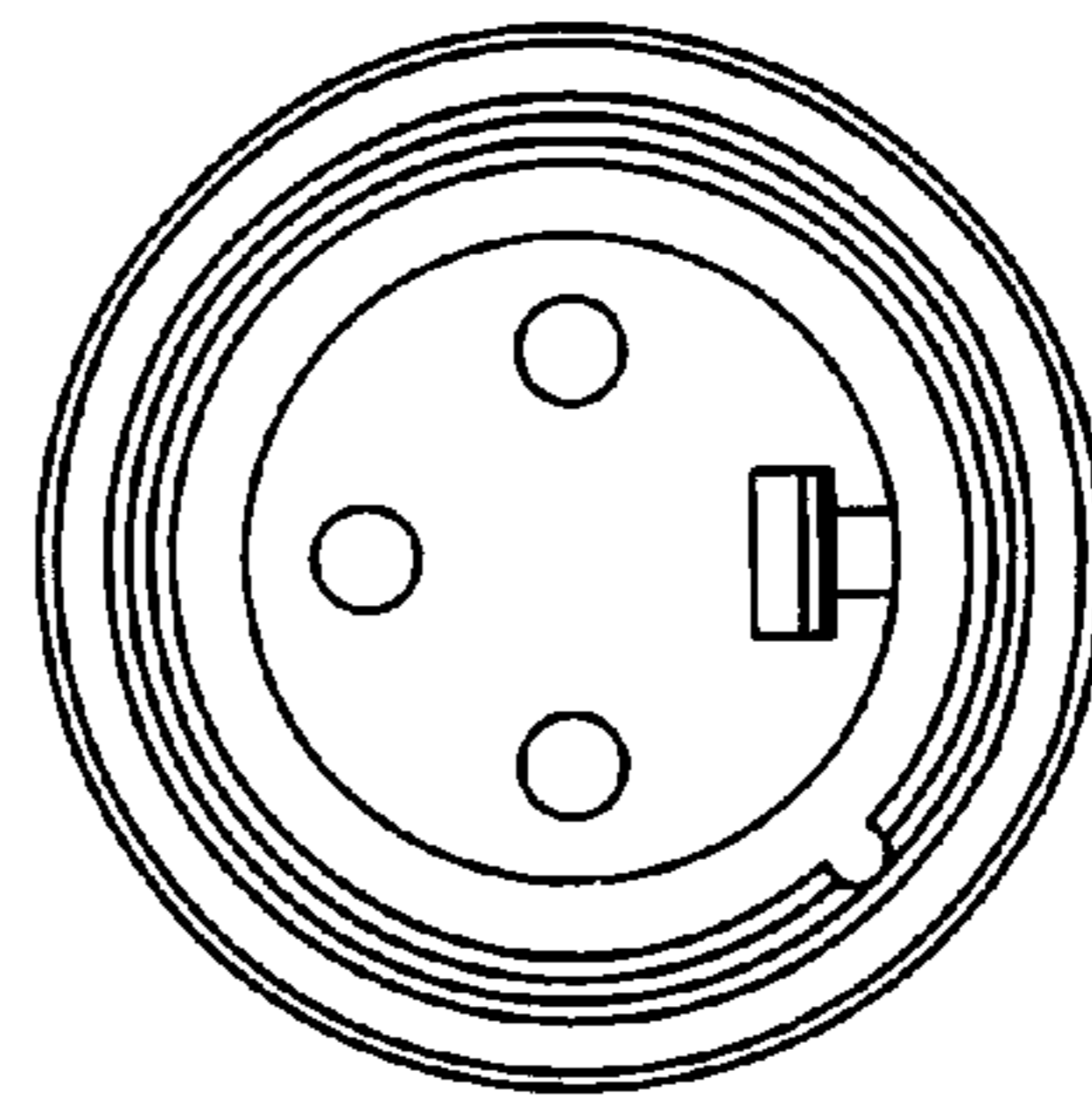


FIG. 7

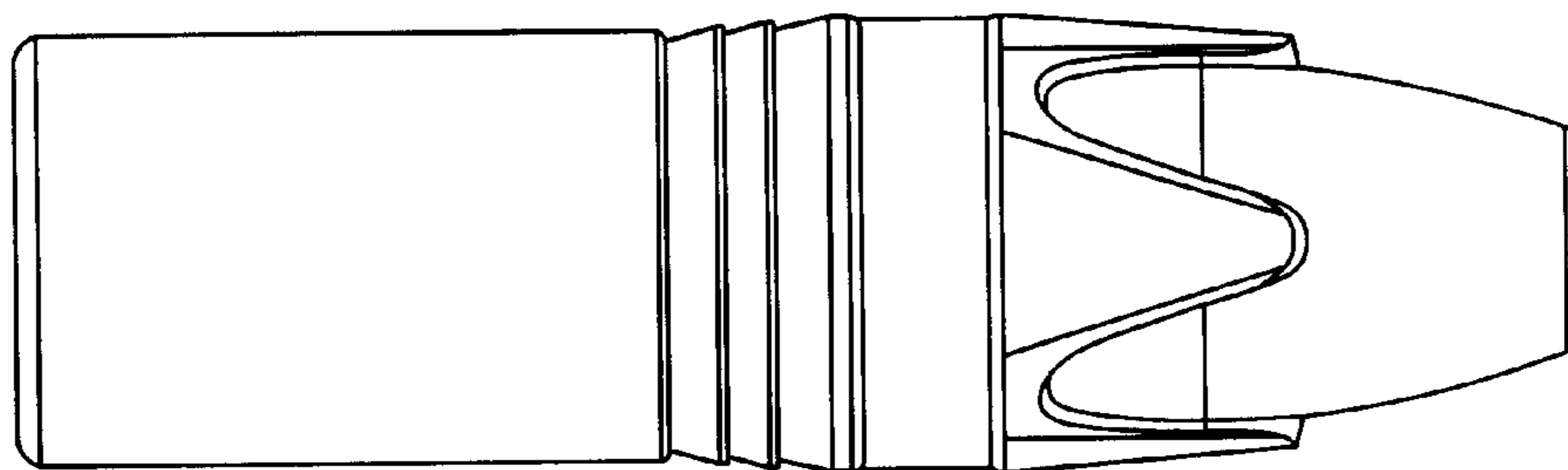


FIG. 8