



US00D512376S

(12) **United States Design Patent** (10) **Patent No.:** **US D512,376 S**  
**Franks, Jr.** (45) **Date of Patent:** **\*\* Dec. 6, 2005**

(54) **GROUND BLOCK**

(75) Inventor: **George J. Franks, Jr.**, Inverness, IL (US)  
(73) Assignee: **Senior Industries, Inc.**, Wood Dale, IL (US)  
(\*\*) Term: **14 Years**  
(21) Appl. No.: **29/197,621**  
(22) Filed: **Jan. 16, 2004**

**Related U.S. Application Data**

(63) Continuation of application No. 10/417,306, filed on Apr. 14, 2003, which is a continuation-in-part of application No. 10/319,106, filed on Dec. 13, 2002, and a continuation-in-part of application No. 29/175,064, filed on Jan. 29, 2003, now Pat. No. Des. 486,791.  
(51) **LOC (8) Cl.** ..... **13-03**  
(52) **U.S. Cl.** ..... **D13/133; D8/354**  
(58) **Field of Search** ..... **D13/133, 154; D8/354; 439/92, 95, 96, 97, 98, 99, 101, 108; 379/413.03; 174/51**

(56) **References Cited**

**U.S. PATENT DOCUMENTS**

63,848 A	4/1867	Bruso
106,900 A	8/1870	Wharton
759,414 A	5/1904	Bishop
926,030 A	6/1909	Stout
933,311 A	9/1909	Klein
982,995 A	1/1911	Rogers
1,205,374 A	11/1916	Marcus

(Continued)

**FOREIGN PATENT DOCUMENTS**

CA	603254	8/1960
CA	968431	5/1975

(Continued)

**OTHER PUBLICATIONS**

Trauffer, Arthur, "Snap-On Ground Clamp", *Radio & Television News*, Feb. 1954 (1 page).

(Continued)

*Primary Examiner*—Philip S. Hyder  
(74) *Attorney, Agent, or Firm*—Bell, Boyd & Lloyd LLC

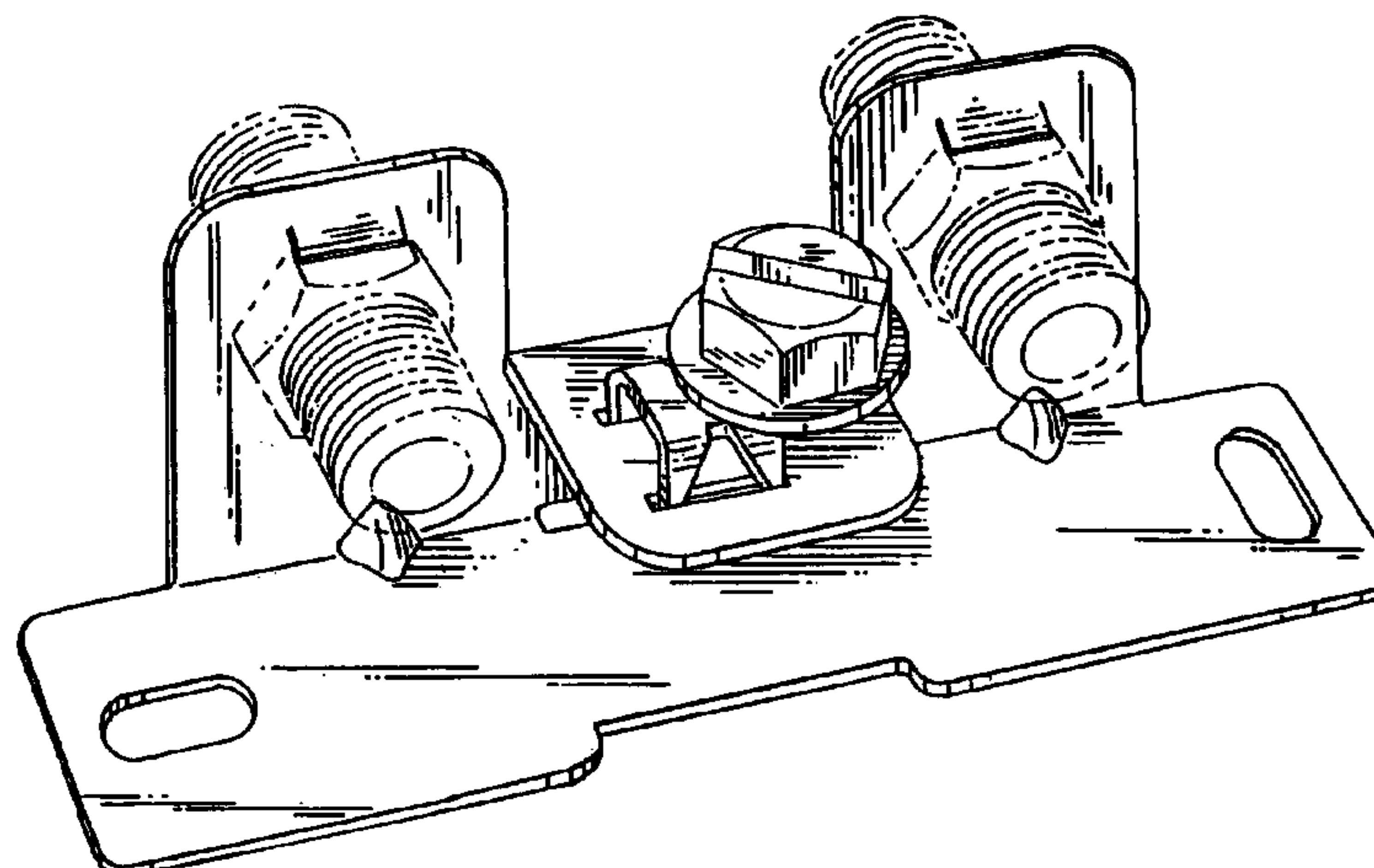
(57) **CLAIM**

I claim the ornamental design for a ground block, as shown and described.

**DESCRIPTION**

FIG. 1 is a perspective view of a ground block according to my new design, the broken lines of which are for illustrative purposes only and form no part of the claimed design; FIG. 2 is a front elevational view of the ground block of FIG. 1; FIG. 3 is a plan view of the ground block of FIG. 1; FIG. 4 is a right side elevational view of the ground block of FIG. 1; FIG. 5 is a rear elevational view of the ground block of FIG. 1; FIG. 6 is a bottom view of the ground block of FIG. 1; FIG. 7 is a left side elevational view of the ground block of FIG. 1; FIG. 8 is a perspective view of an alternative ground block according to my new design, the broken lines of which are for illustrative purposes only and form no part of the claimed design; FIG. 9 is a front elevational view of the ground block of FIG. 8; FIG. 10 is a plan view of the ground block of FIG. 8; FIG. 11 is a right side elevational view of the ground block of FIG. 8; FIG. 12 is a rear elevational view of the ground block of FIG. 8; FIG. 13 is a bottom view of the ground block of FIG. 8; and, FIG. 14 is a left side elevational view of the ground block of FIG. 8.

**1 Claim, 6 Drawing Sheets**



U.S. PATENT DOCUMENTS

1,210,764 A 1/1917 Cole  
 1,349,225 A 8/1920 Rosenblum  
 1,408,301 A 2/1922 Jeter  
 1,486,560 A 3/1924 Becker  
 1,540,249 A 6/1925 Brown  
 1,552,932 A 9/1925 Kessler  
 1,597,169 A 8/1926 Taylor  
 1,652,191 A 12/1927 Withers  
 1,675,163 A 6/1928 Colburn  
 1,690,220 A 11/1928 Fahnestock  
 1,727,219 A 9/1929 Scharf et al.  
 1,794,976 A 3/1931 Mueller  
 1,810,901 A 6/1931 Bormann et al.  
 1,813,448 A 7/1931 Horton  
 1,910,022 A 5/1933 Legg  
 1,941,905 A 1/1934 Mair  
 1,986,028 A 1/1935 Terry  
 1,997,091 A 4/1935 Usselman  
 2,040,438 A 5/1936 Johnson  
 2,107,835 A 2/1938 Pierce  
 2,260,136 A 10/1941 Bergan  
 2,270,807 A 1/1942 Johnson  
 2,299,146 A 10/1942 Hubbard  
 2,420,895 A 5/1947 Merriman  
 2,423,627 A 7/1947 Tinnerman  
 2,458,413 A 1/1949 Pennell  
 2,529,153 A 11/1950 Hain  
 2,532,068 A 11/1950 Larsen  
 2,547,932 A 4/1951 Downs, Jr.  
 2,632,068 A 3/1953 Froebel et al.  
 2,710,381 A 6/1955 Monson  
 2,733,492 A 2/1956 Copell  
 2,811,704 A 10/1957 Newman  
 2,831,222 A 4/1958 Anderson  
 2,948,940 A 8/1960 Degener  
 2,970,287 A 1/1961 Gill  
 3,021,581 A 2/1962 Cook et al.  
 3,068,445 A 12/1962 Crowther  
 D197,417 S 1/1964 Kirkpatrick  
 3,129,994 A 4/1964 Harmon et al.  
 3,166,632 A 1/1965 Woodman  
 3,188,602 A 6/1965 Toedtman et al.  
 3,260,986 A 7/1966 Staffel  
 3,363,219 A 1/1968 Hubbard et al.  
 3,363,310 A 1/1968 Stinson, Jr.  
 3,435,126 A 3/1969 Hamilton  
 3,528,050 A 9/1970 Hindenburg  
 3,562,694 A 2/1971 Howe  
 3,568,128 A 3/1971 Taylor  
 3,694,794 A 9/1972 Hein  
 3,760,341 A 9/1973 Grad  
 3,781,757 A 12/1973 Barnes  
 3,850,490 A 11/1974 Zehr  
 3,914,001 A 10/1975 Nelson et al.  
 D243,404 S 2/1977 Mooney et al.  
 4,014,504 A 3/1977 Sachs  
 4,325,598 A 4/1982 Leonardo  
 4,355,852 A 10/1982 Bachle  
 4,440,374 A 4/1984 Achille  
 4,461,521 A 7/1984 Sachs  
 4,476,759 A 10/1984 Aderneck  
 4,526,428 A 7/1985 Sachs  
 4,529,261 A 7/1985 Stenz et al.  
 4,538,879 A 9/1985 Wagener  
 4,591,229 A 5/1986 Sachs  
 4,626,051 A 12/1986 Franks, Jr.  
 4,664,469 A 5/1987 Sachs  
 4,742,981 A 5/1988 Converse  
 D296,545 S 7/1988 Sachs  
 D296,546 S 7/1988 Sachs

D296,547 S 7/1988 Sachs  
 D297,410 S \* 8/1988 Sachs ..... D8/356  
 4,768,963 A 9/1988 Barron  
 4,776,808 A 10/1988 Davidson  
 4,778,413 A 10/1988 Saarinen  
 4,780,096 A 10/1988 Franks, Jr.  
 4,784,621 A 11/1988 Auclair  
 4,828,504 A 5/1989 Franks, Jr.  
 4,884,976 A 12/1989 Franks, Jr.  
 4,904,193 A 2/1990 Graves  
 4,917,615 A 4/1990 Franks, Jr.  
 4,925,395 A 5/1990 Franks, Jr.  
 D312,038 S 11/1990 Sachs  
 4,973,259 A 11/1990 Sachs  
 D313,392 S 1/1991 Sachs  
 4,993,960 A 2/1991 Franks, Jr.  
 5,006,074 A 4/1991 Franks, Jr.  
 5,015,205 A 5/1991 Franks, Jr.  
 D323,973 S 2/1992 Sachs  
 5,114,354 A 5/1992 Franks, Jr.  
 D329,014 S 9/1992 Sachs  
 D335,079 S 4/1993 Sachs  
 D340,226 S 10/1993 Sachs  
 D343,385 S 1/1994 Sachs  
 D344,886 S 3/1994 Sachs  
 D351,825 S 10/1994 Sachs  
 5,370,345 A 12/1994 Condon  
 D357,400 S 4/1995 Sachs  
 D362,174 S 9/1995 Sachs  
 D364,332 S \* 11/1995 Sachs ..... D8/354  
 D367,259 S 2/1996 Sachs  
 D369,780 S 5/1996 Sachs  
 5,681,191 A \* 10/1997 Robicheau et al. .... 439/877  
 5,746,609 A 5/1998 Franks, Jr.  
 D395,997 S \* 7/1998 Coll et al. .... D8/354  
 D406,813 S 3/1999 Coll et al.  
 5,928,006 A \* 7/1999 Franks, Jr. .... 439/92  
 6,252,166 B1 \* 6/2001 Leschinger ..... 174/51  
 6,283,771 B1 9/2001 Mitchell et al.  
 D459,302 S \* 6/2002 Malin ..... D13/133  
 D459,304 S \* 6/2002 Malin ..... D13/133  
 D459,305 S \* 6/2002 Malin ..... D13/133  
 D459,306 S \* 6/2002 Malin ..... D13/133  
 D486,791 S 2/2004 Franks, Jr.  
 D487,427 S 3/2004 Franks, Jr.

FOREIGN PATENT DOCUMENTS

DE 1132999 7/1962  
 DE 2108227 9/1972  
 DE 2741791 B1 7/1978  
 DE 2713247 A1 9/1978  
 DE 147294 3/1981  
 FR 1126748 11/1956  
 GB 1085499 10/1967  
 GB 1159264 7/1969  
 GB 2195837 4/1988  
 SE 161707 12/1957

OTHER PUBLICATIONS

Senior Industries, Inc. product literature entitled "Meter Box Ground Clamp" (date prior to Dec. 13, 2001) (1 page).  
 Senior Industries, Inc. product literature entitled "2 New Ground Clamp Systems" (date prior to Dec. 13, 2001) (1 page).  
 Senior Industries, Inc. product literature entitled "Structure Ground Clamps" (date prior to Dec. 13, 2001) (1 page).  
 Senior Industries, Inc. product literature entitled "Bonding Ribbon Clamp" (date prior to Dec. 13, 2001) (1 page).



- Senior Industries, Inc. product literature entitled "Grounding Connectors" (date prior to Dec. 13, 2001) (1 page).
- Senior Industries, Inc. product literature for clamps and connectors (date prior to Dec. 13, 2001) (2 pages).
- Senior Industries, Inc. product literature entitled "Universal Ground Clamp" (date prior to Dec. 13, 2001) (1 page).
- Senior Industries, Inc. product literature entitled "B Strand Ground Clamp, Beam Clamp, B Ground Wire Clamp" (date prior to Dec. 13, 2001) (1 page).
- Thomas & Betts product brochure entitled "T&B Telecommunications 40-2000X Grounding Clamp" (1998) (3 pages).
- Diamond Communication Products, Inc. product brochure entitled "Meter Box Ground Clamp" (date prior to Dec. 13, 2001) (1 page).
- Sachs Canada, Inc. product literature entitled "SaxInfo Industry & Product News" (date prior to Dec. 13, 2001) (1 page).
- Sachs Canada, Inc. product literature entitled "SC51-1 Application Procedures" (date prior to Dec. 13, 2001) (1 page).
- Sachs Communications, Inc. product literature entitled "SC51-1 Application Procedures" (date prior to Dec. 13, 2001) (1 page).
- Sachs Canada, Inc. product literature entitled "SC51-2SS Application Procedures" (date prior to Dec. 13, 2001) (1 page).
- Sachs Canada, Inc. product brochure entitled "SC51-2SS Application Procedures" (date prior to Dec. 13, 2001) (1 page).
- Diamond/Sachs Communications Inc. product literature entitled "SC51CF-81 Application Procedures" (date prior to Dec. 13, 2001) (1 page).
- Diamond/Sachs Communications Inc. product literature entitled "SC51CF-85 Application Procedures" (date prior to Dec. 13, 2001) (1 page).
- Sachs Communications Inc. product literature entitled "Bonding Connector" (date prior to Dec. 13, 2001) (1 page).
- Allied Bolt, Inc. product brochure entitled "Drop Wire Hardware" (1998) (1 page).
- Allied Bolt, Inc. product literature entitled "Grounding Hardware" (date prior to Dec. 13, 2001) (1 page).
- Arris TeleWire Supply product literature for Monarch Grounding Products (undated) (1 page).
- Holland Electronics LLC product brochure entitled "Connectors" (2002) (1 page).
- Sachs Canada Inc. product literature entitled "Grounding & Bonding" (1991) (pp. GB-1 and GB-2).
- Sachs Canada Inc. product literature entitled "Up Grading Additional Outlets" (1991) (1 page).
- Sachs Canada Inc. product literature entitled "SC42 Bonding Connector Application" (1991) (1 page).
- Sachs Canada Inc. product literature entitled "SaxInfo Industry & Product News" for "SC42-Ground Connector" (date prior to Dec. 13, 2001) (1 page).
- Sachs Canada Inc. product literature entitled "Bonding Cable & Equipment at Pedestal" (1991) (1 page).
- Sachs Canada Inc. product literature entitled "Bonding Connection at Meter Pan" (1991) (1 page).
- Sachs Canada Inc. product brochure entitled "SC51-1 Application Sheet" (date prior to Dec. 13, 2001) (1 page).
- Sachs product brochure entitled "SC51-2SS Application Procedures" (date prior to Dec. 13, 2001) (1 page).
- Sachs Canada Inc. product literature entitled "SC13 Series Ground Strap Application" (1991) (1 page).
- Sachs Canada Inc. product literature entitled "SC13BZ-4 Application Procedures" (dated prior to Dec. 13, 2001) (2 pages).
- Sachs Canada Inc. product literature entitled "Grounding Customer Drops" (1991) (1 page).
- Thomas & Betts "Product Handbook" (1998) (pp. cover page, 66, 67, 71-89, 126, 127, 142, 143).
- Sachs Communications Product Book (1995) (pp. cover, 30-33, 40, 41, 44-47, 56-59, 70, 71, 76-79, 82, 83, 86-90).
- Schram, Peter J., *The National Electric Code Handbook*, Third Edition (1984), National Fire Protection Association, Quincy, Massachusetts, p. 195.

\* cited by examiner

FIG. 1

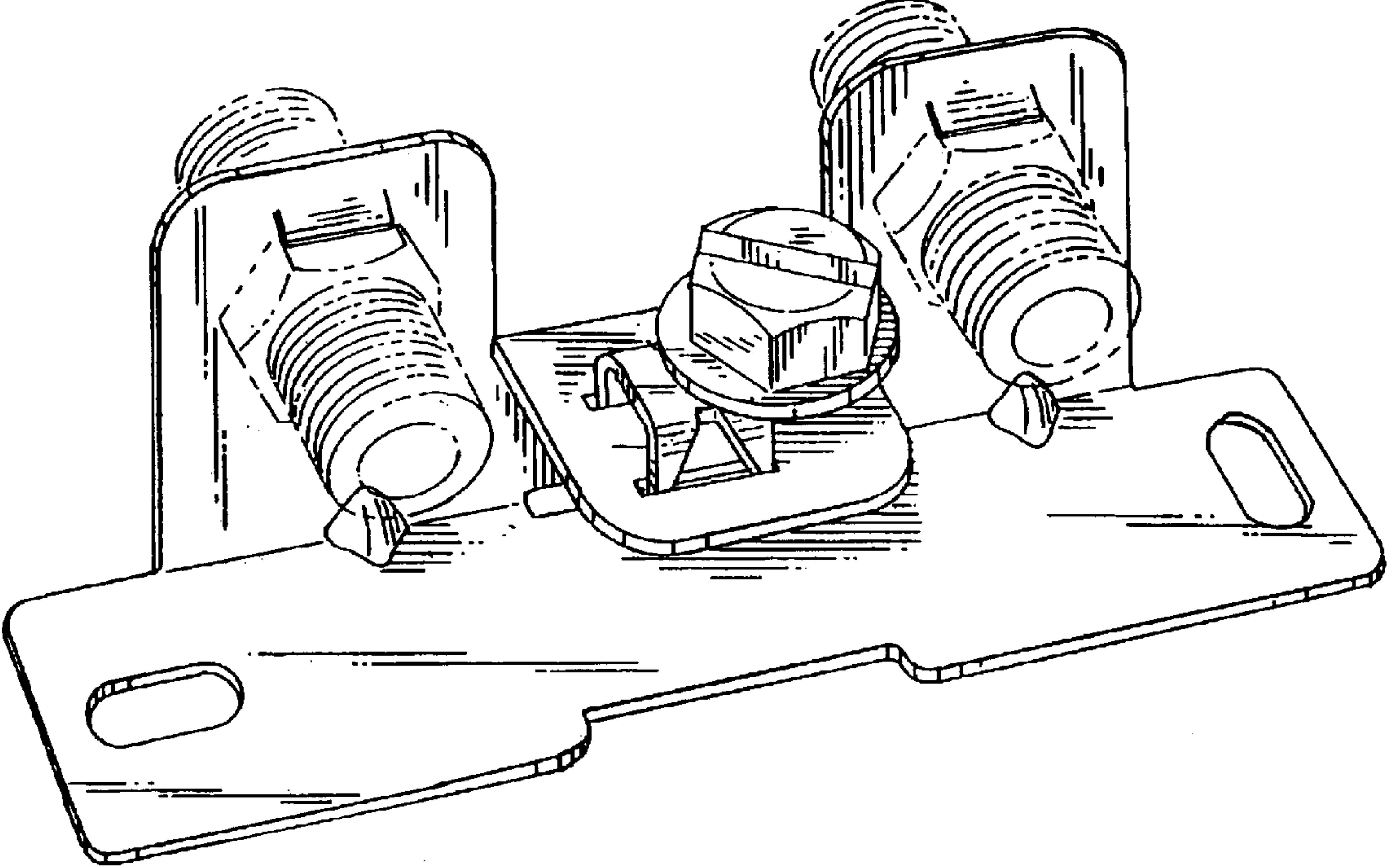


FIG. 2

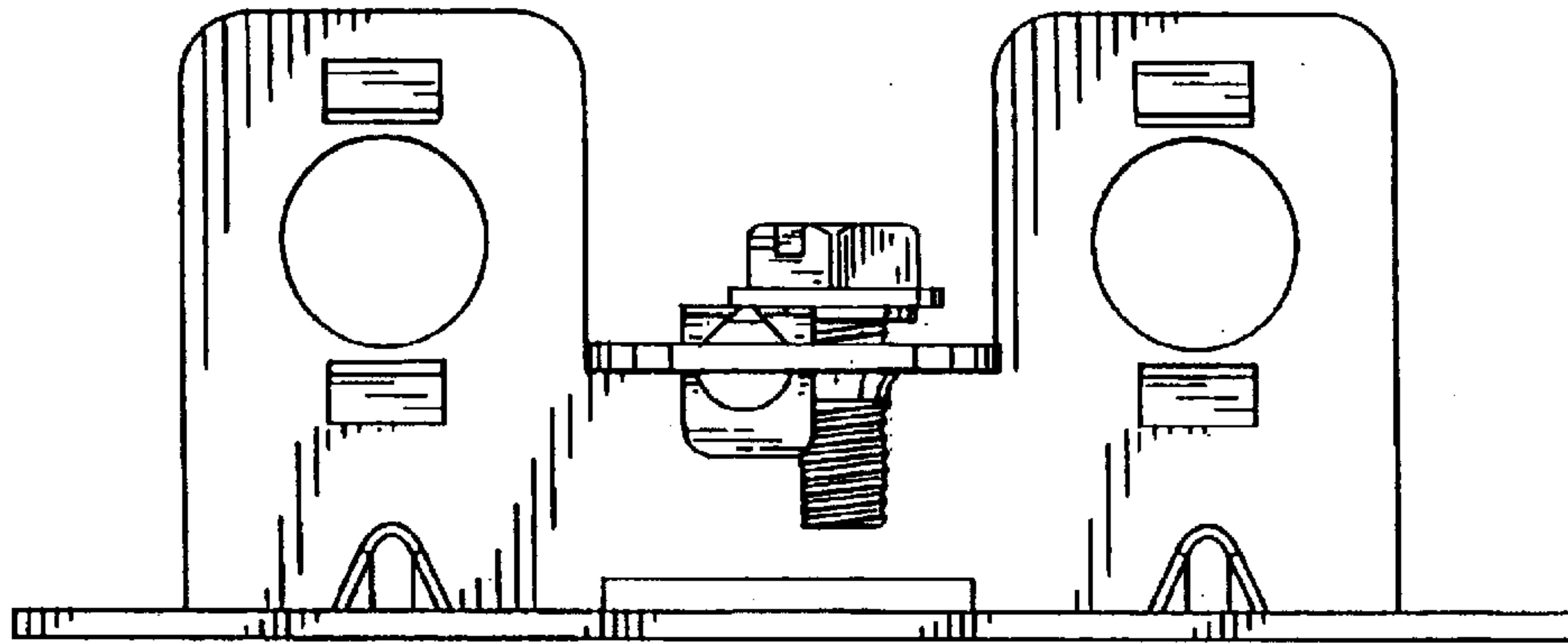


FIG. 3

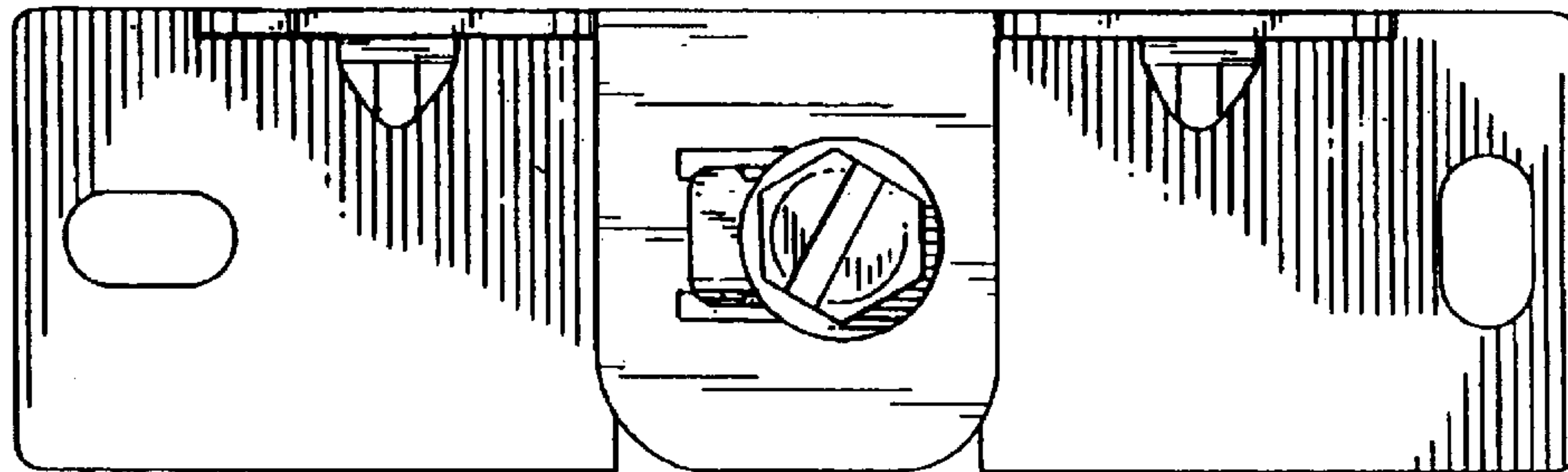


FIG. 4

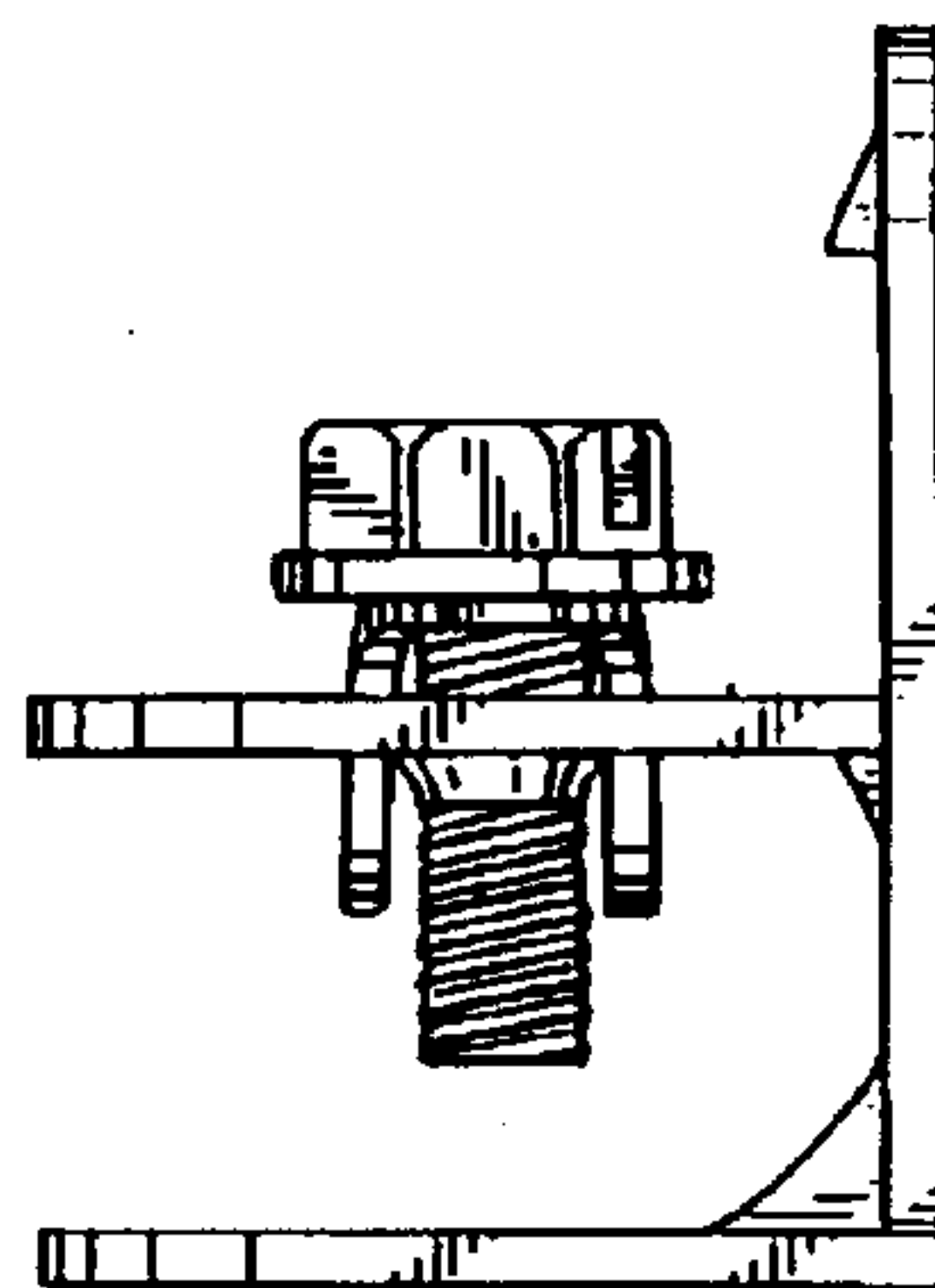


FIG. 5

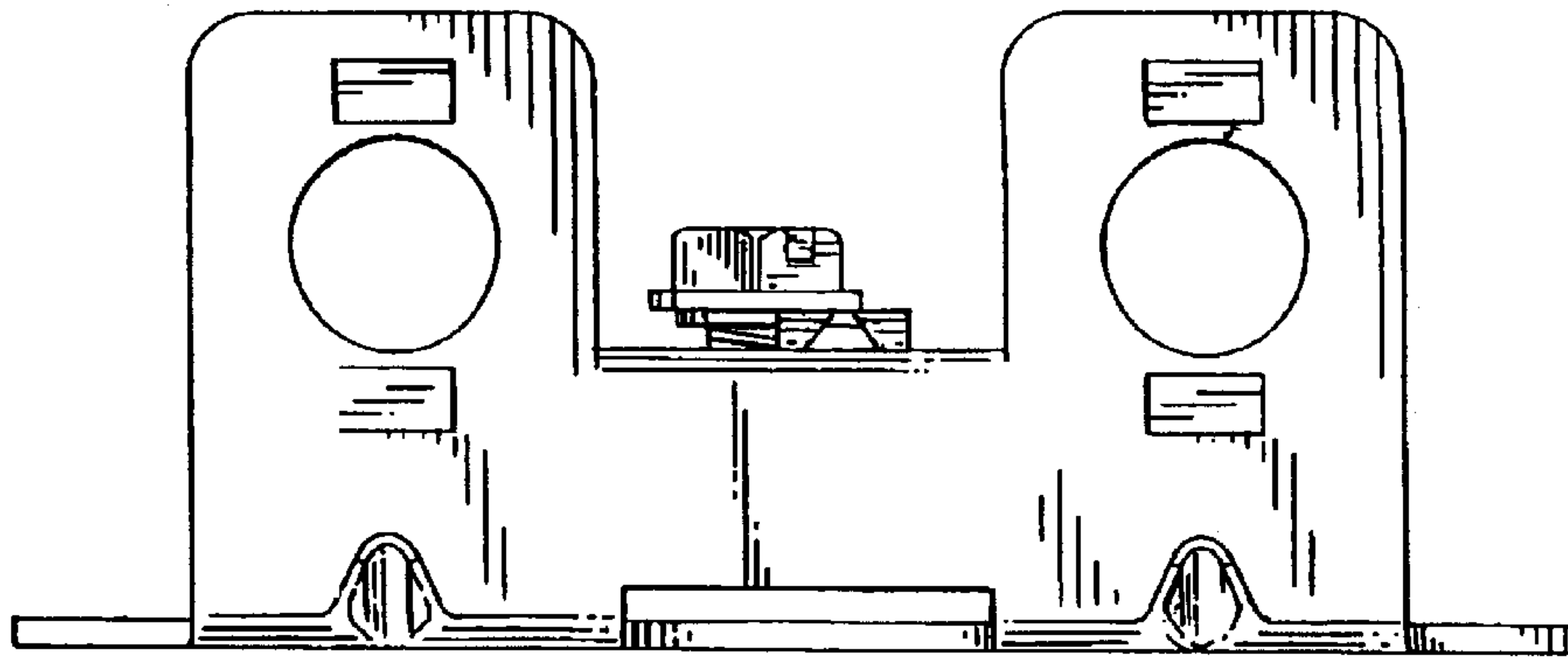


FIG. 6

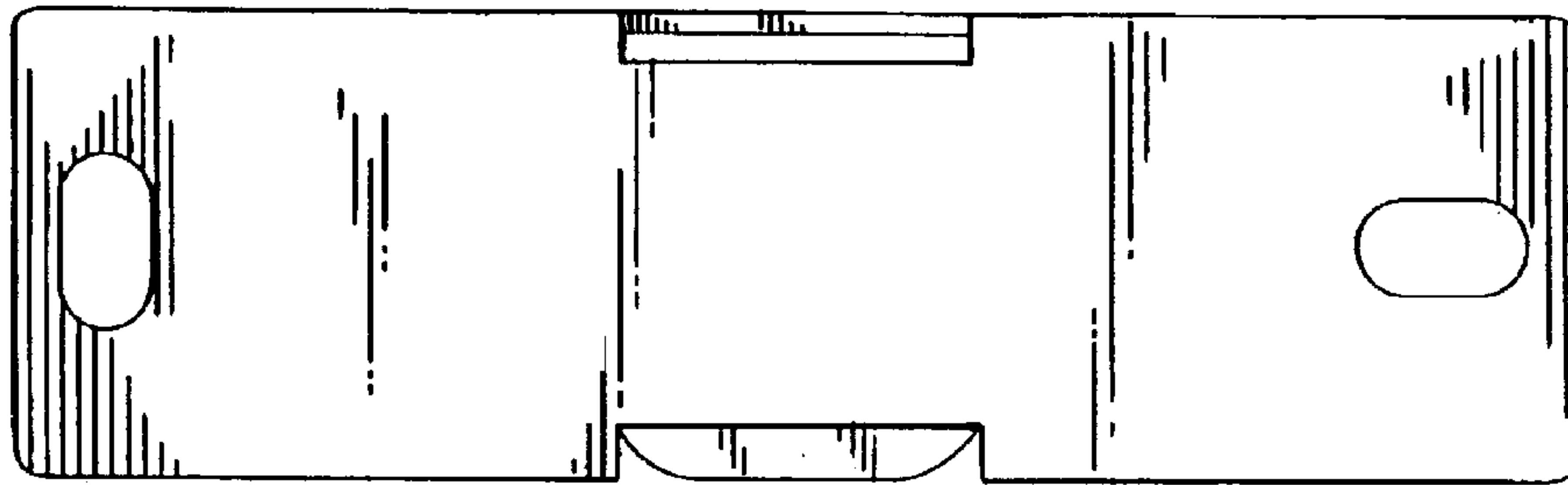


FIG. 7

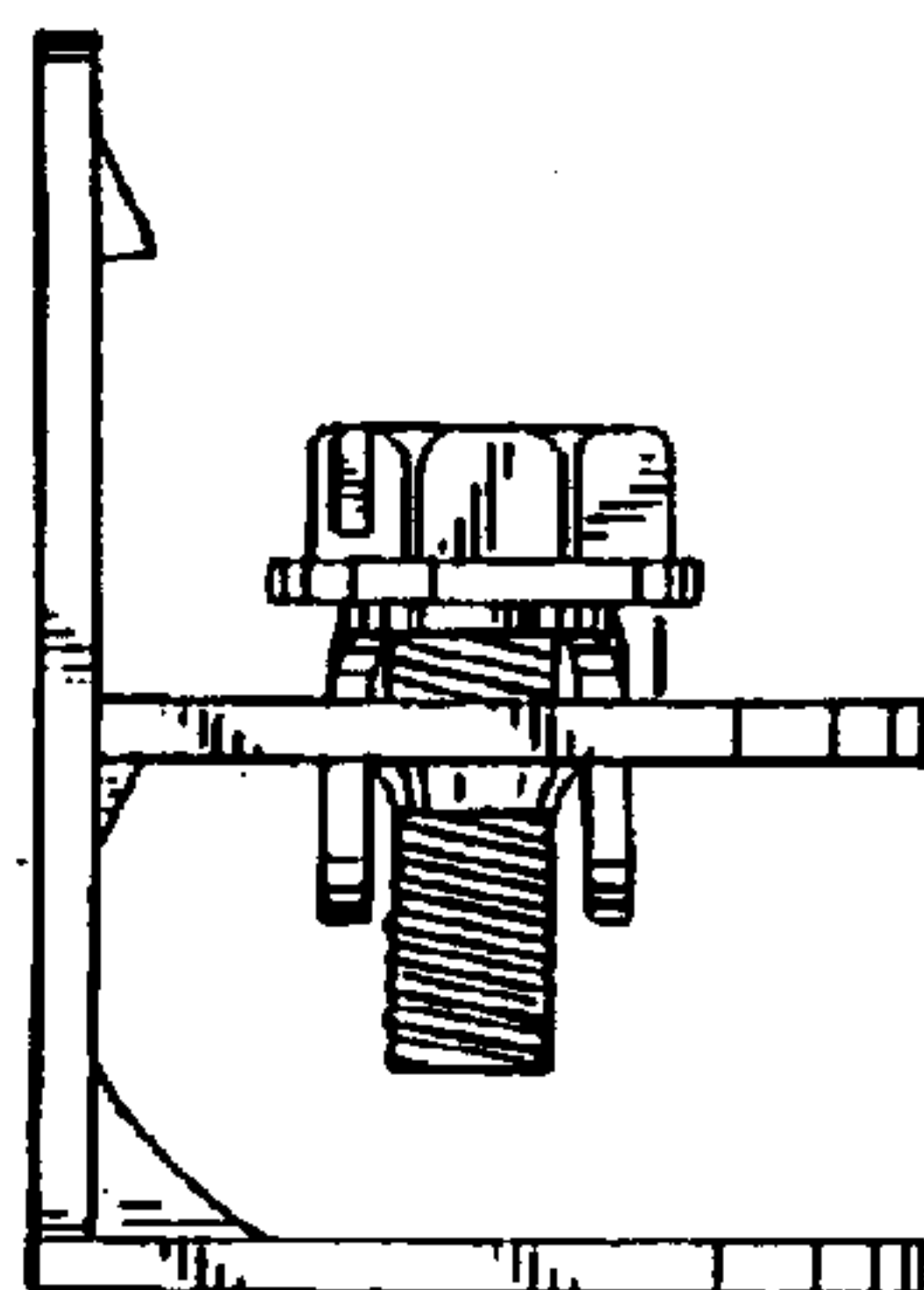


FIG. 8

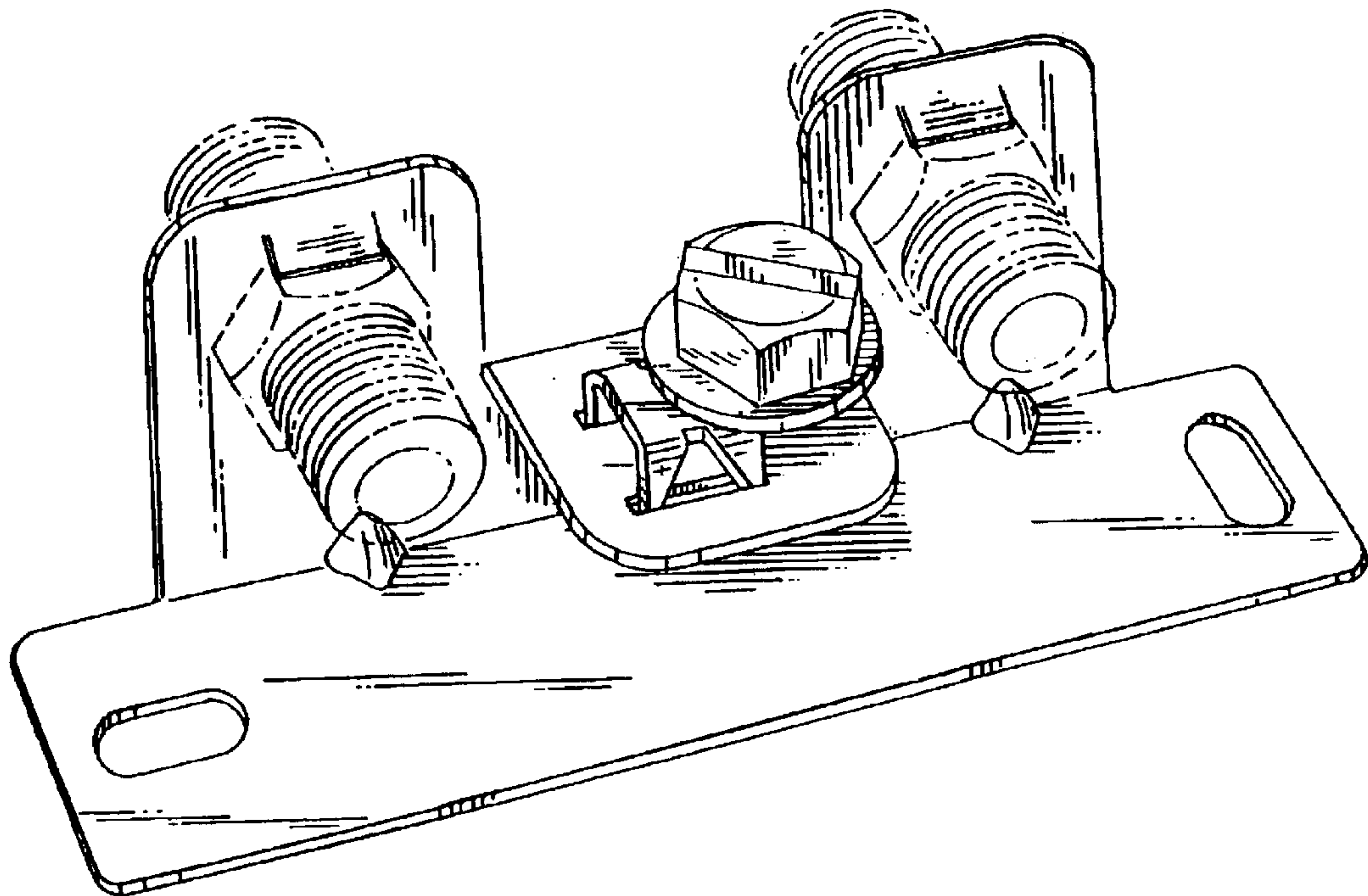




FIG. 9

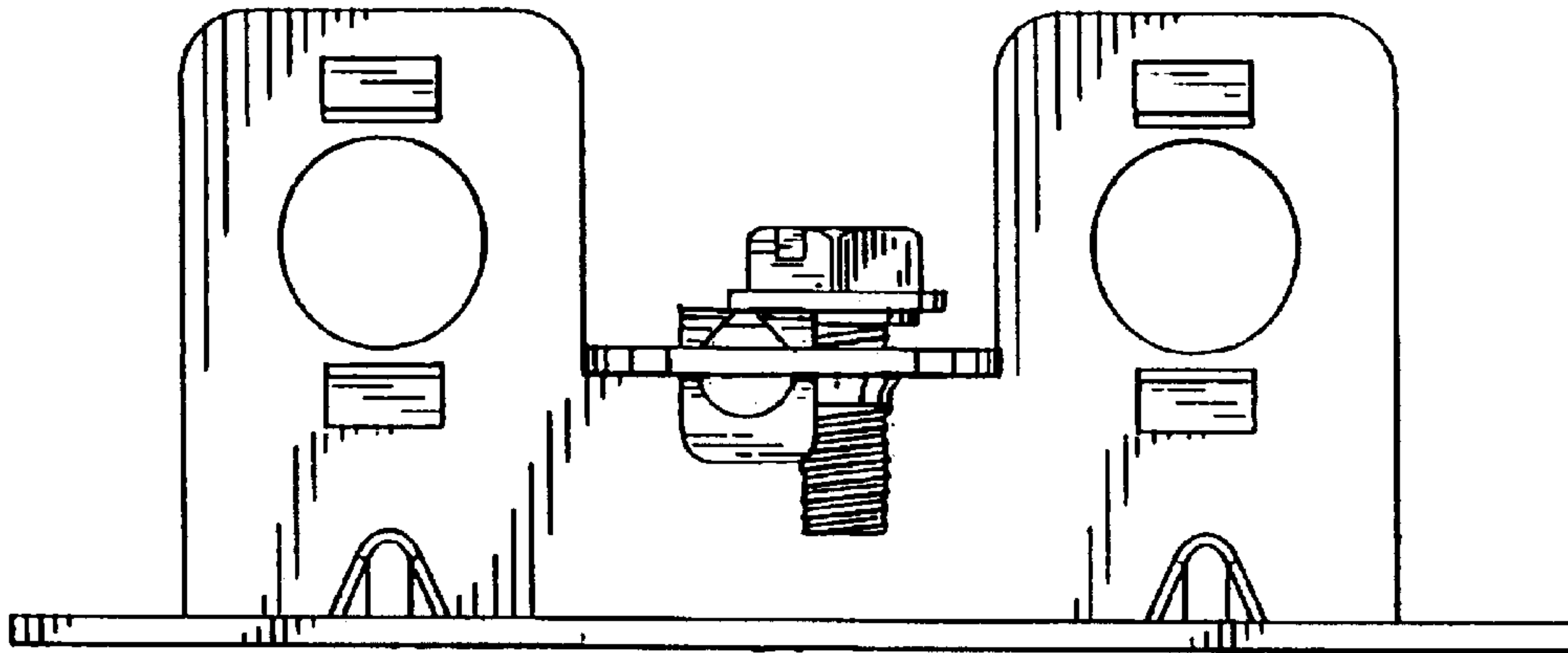


FIG. 10

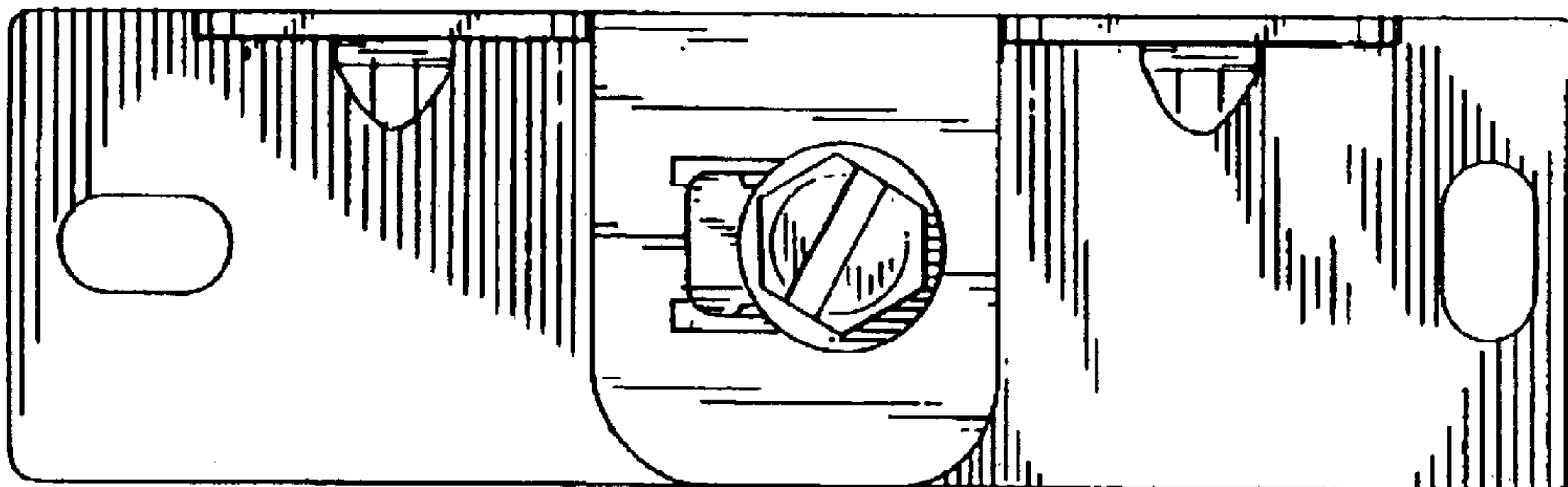


FIG. 11

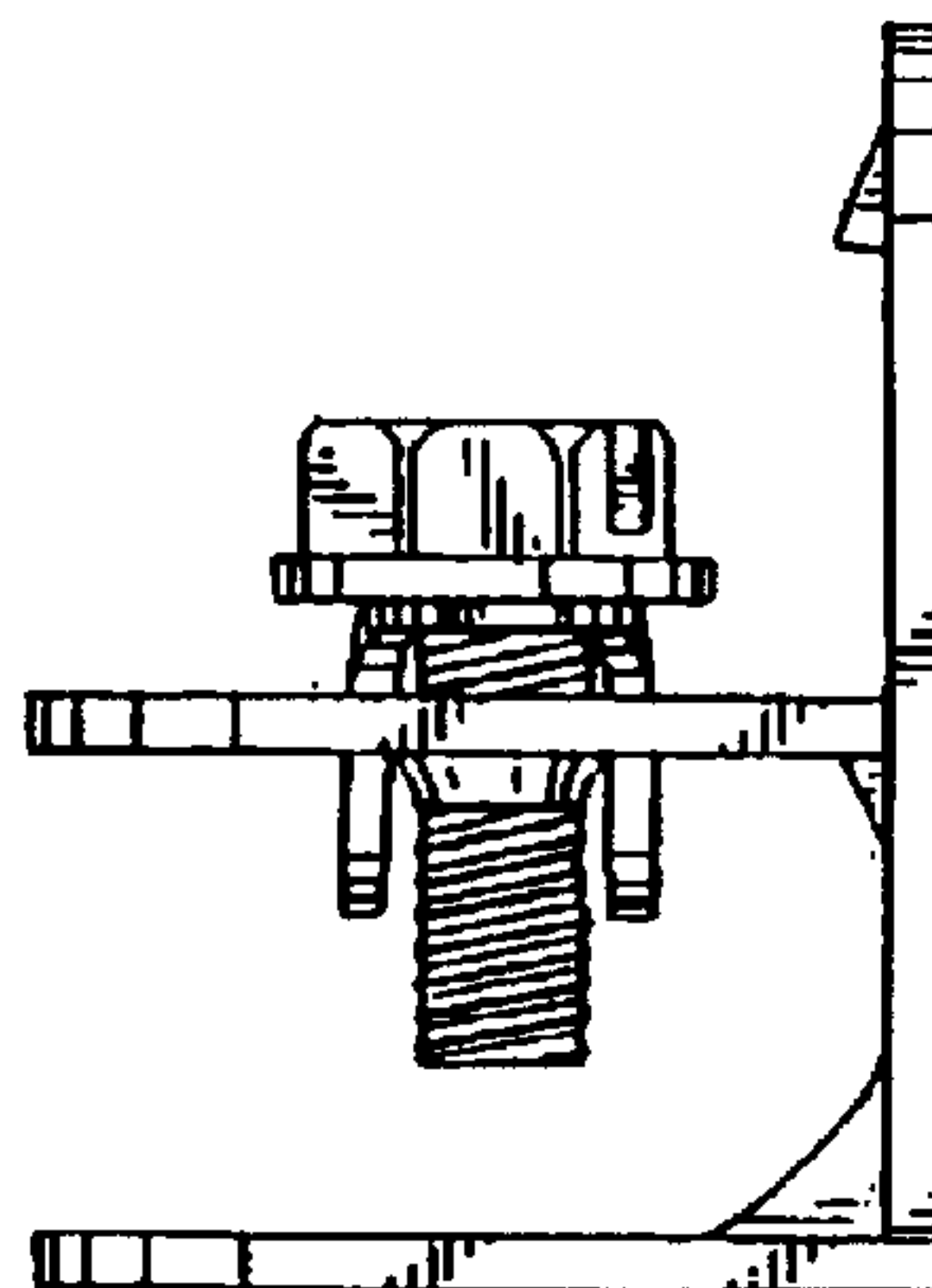




FIG. 12

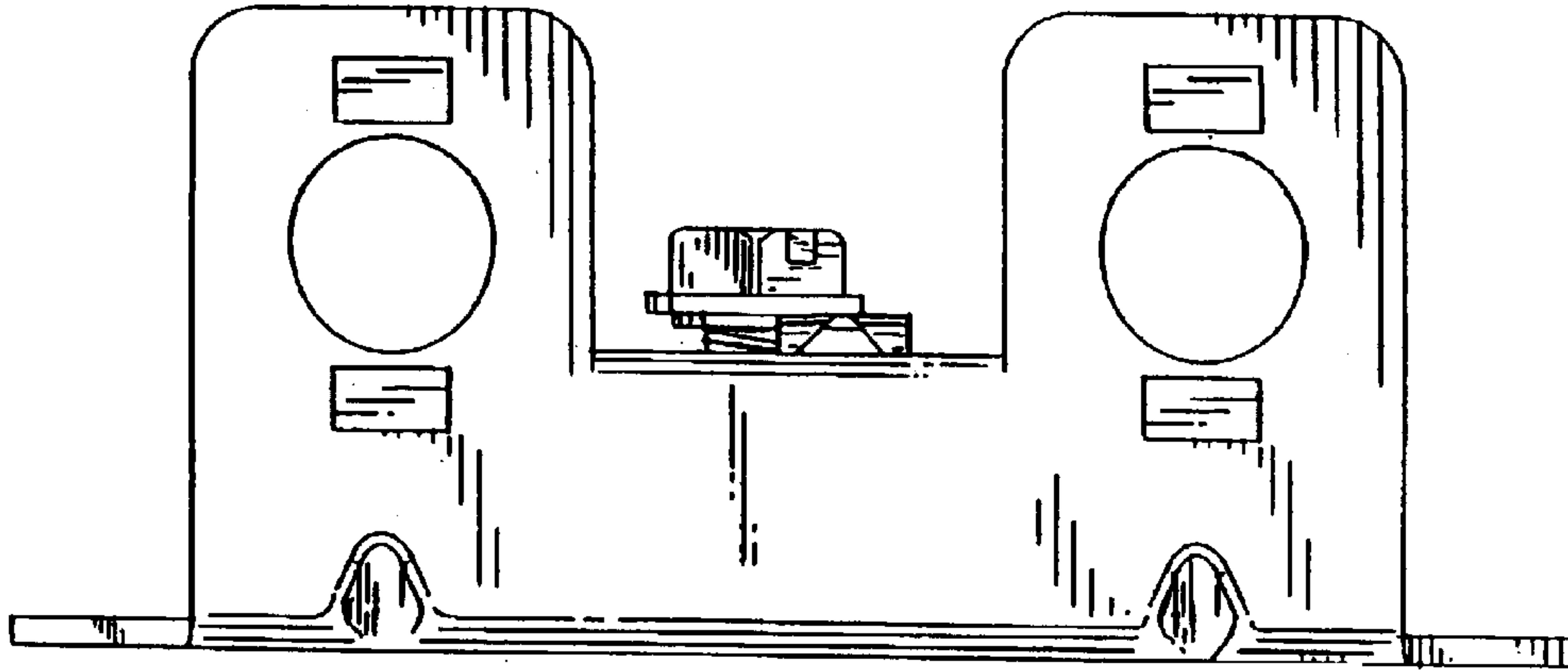


FIG. 13

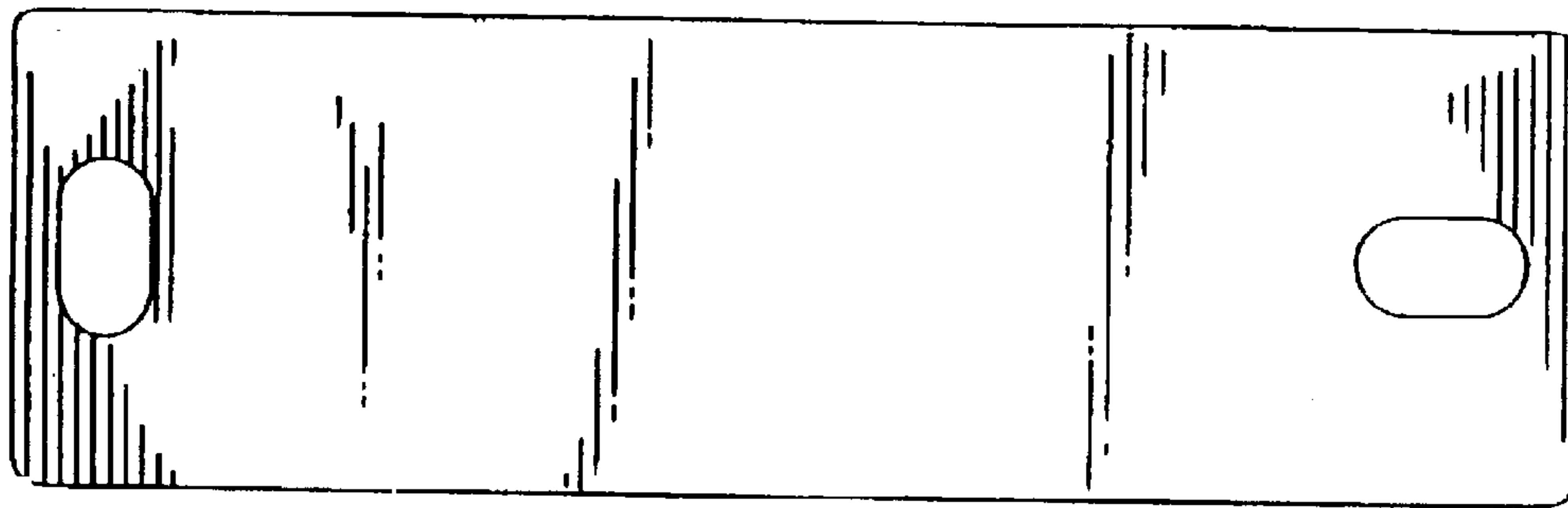


FIG. 14

