



US00D512375S

(12) **United States Design Patent**
Kubota et al.

(10) **Patent No.: US D512,375 S**
(45) **Date of Patent: ** Dec. 6, 2005**

(54) **CAPACITOR MODULE**

(75) Inventors: **Shinya Kubota, Wako (JP); Yoshinori Mita, Wako (JP); Satoru Asaka, Wako (JP); Koichi Yamamoto, Wako (JP); Naoyuki Abe, Wako (JP); Makoto Kawahara, Wako (JP)**

(73) Assignee: **Honda Giken Kogyo Kabushiki Kaisha, Tokyo (JP)**

(**) Term: **14 Years**

(21) Appl. No.: **29/182,551**

(22) Filed: **May 29, 2003**

(30) **Foreign Application Priority Data**

Nov. 29, 2002 (JP) 2002-033076

(51) **LOC (8) Cl. 13-03**

(52) **U.S. Cl. D13/125**

(58) **Field of Search** D13/125, 123,
D13/133, 184, 199; 361/271, 277, 301.1,
328-330, 763

(56) **References Cited**

U.S. PATENT DOCUMENTS

22,207 A * 11/1858 Weston 241/245
1,346,694 A * 7/1920 Bayles et al. 361/329
2,438,592 A * 3/1948 White 361/277
4,670,814 A * 6/1987 Matsui et al. 361/274.3

4,677,523 A * 6/1987 Kauppi 361/329
4,853,827 A * 8/1989 Hernandez 361/321.4
D306,431 S * 3/1990 Venturini et al. D13/125
6,757,152 B2 * 6/2004 Galvagni et al. 361/306.3
D493,423 S * 7/2004 Kubota et al. D13/125
D493,424 S * 7/2004 Kubota et al. D13/125
D494,931 S * 8/2004 Kubota et al. D13/125
2003/0133251 A1 * 7/2003 Kitagawa et al. 361/328

* cited by examiner

Primary Examiner—Prabhakar Deshmukh

Assistant Examiner—Daniel Bui

(74) *Attorney, Agent, or Firm*—Arent Fox, PLLC

(57) **CLAIM**

The ornamental design for a capacitor module, as shown and described.

DESCRIPTION

FIG. 1 is a front elevation view of a capacitor module showing our new design.

FIG. 2 is a rear elevation view thereof.

FIG. 3 is a top plan view thereof.

FIG. 4 is a bottom plan view thereof.

FIG. 5 is a right side elevation view thereof;

FIG. 6 is a left side elevation view thereof.

FIG. 7 is a front perspective view thereof; and,

FIG. 8 is an enlarged sectional view taken along a line 8—8 in FIG. 1.

1 Claim, 4 Drawing Sheets

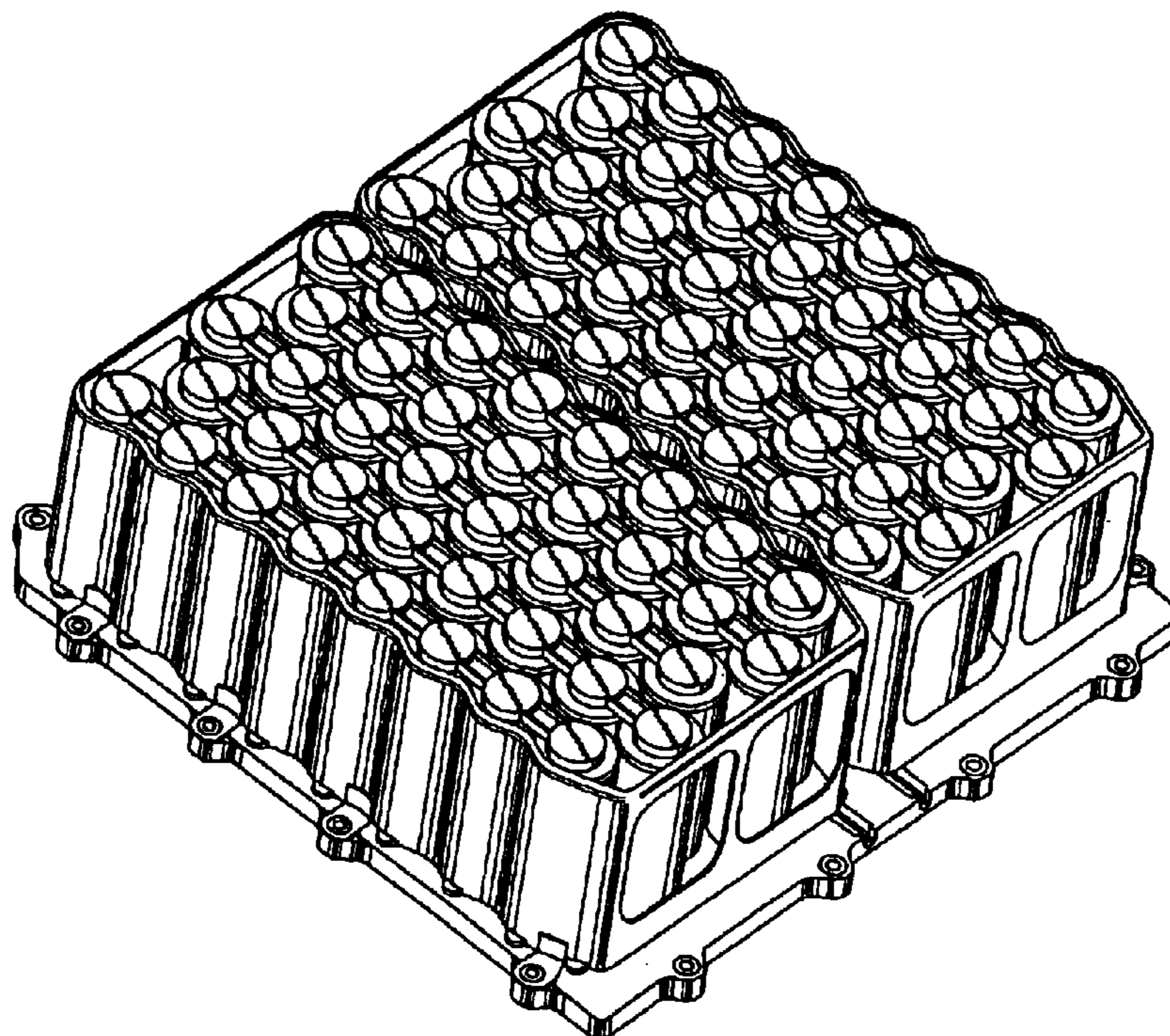


FIG.1

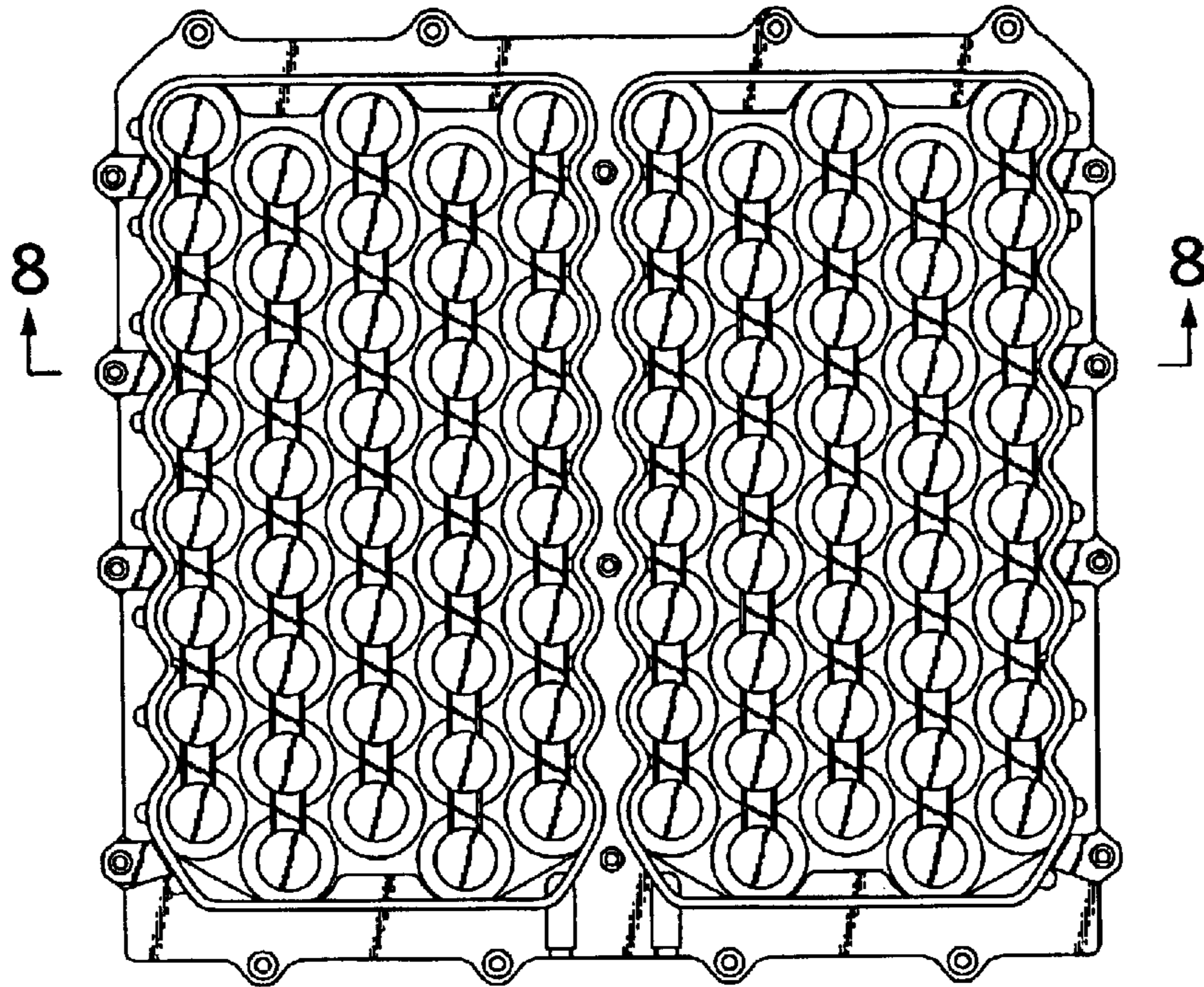


FIG.2

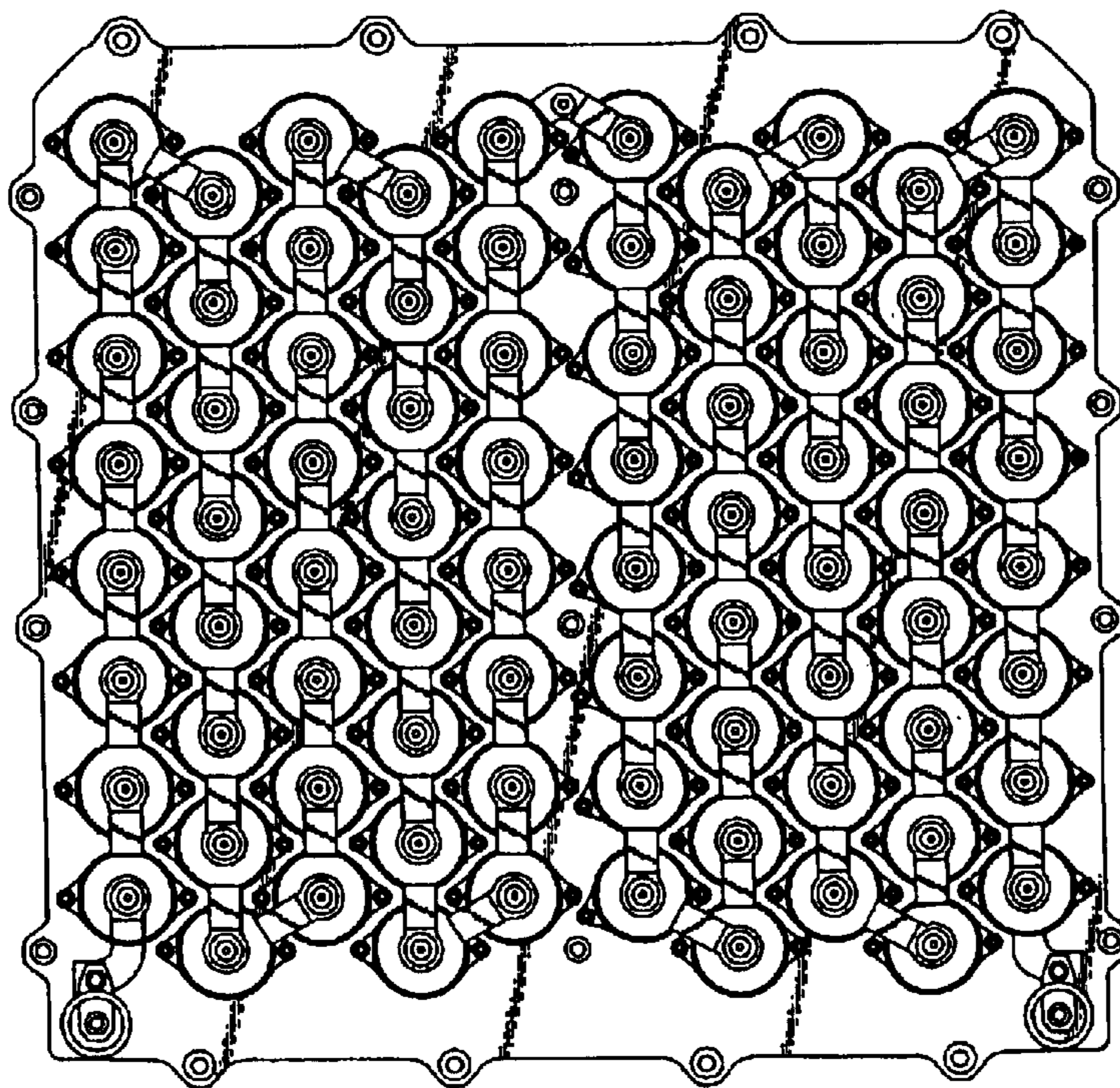


FIG.3

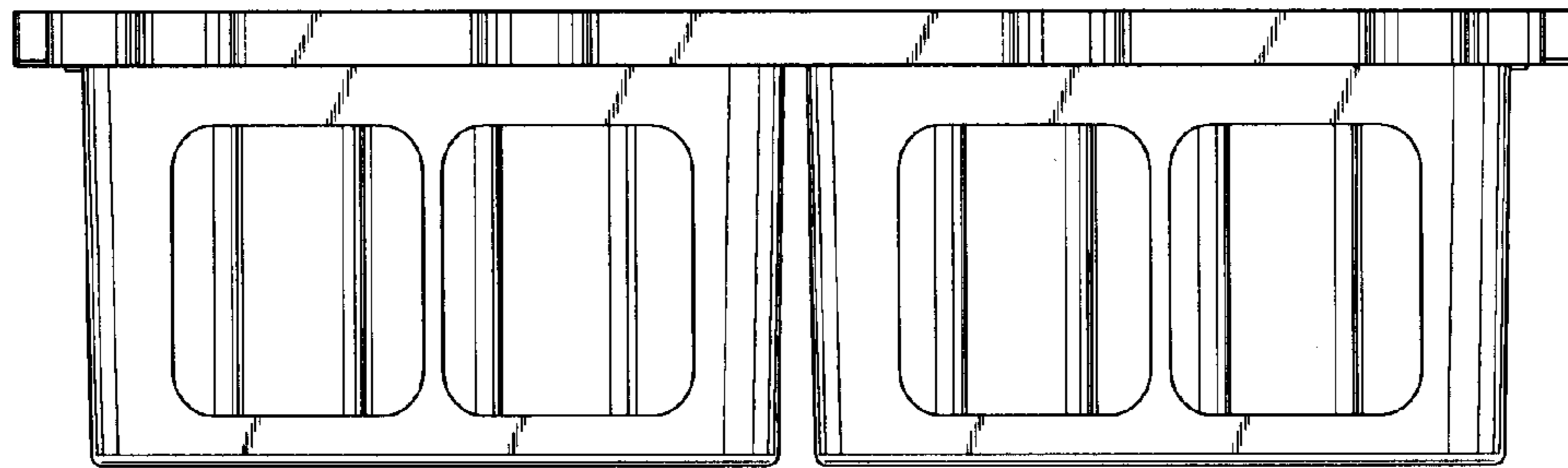


FIG.4

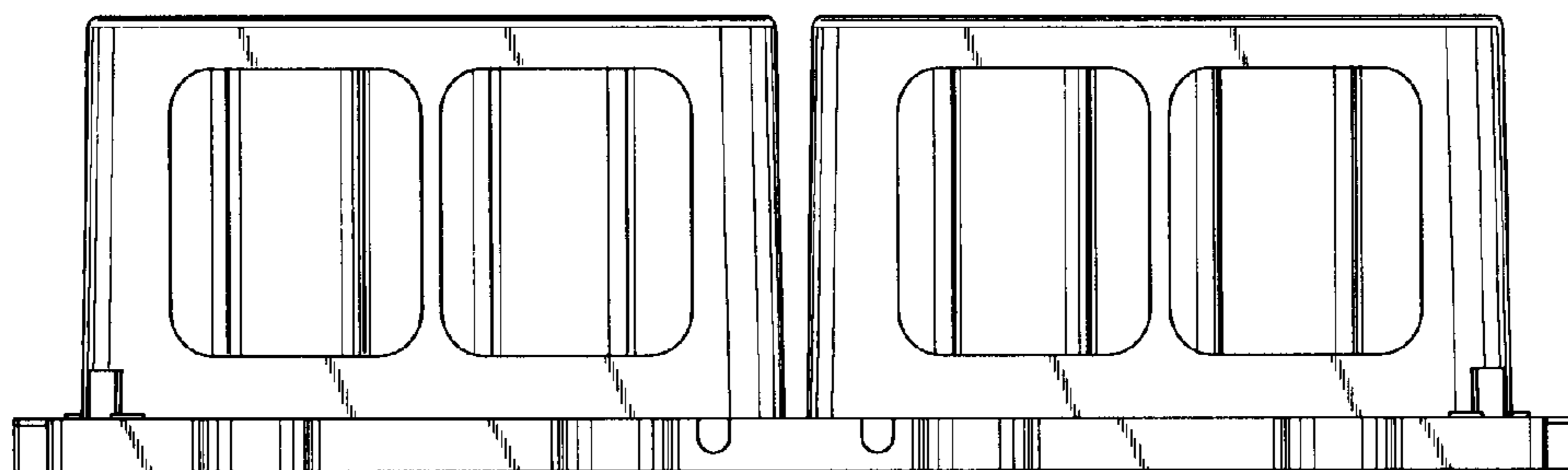


FIG.5

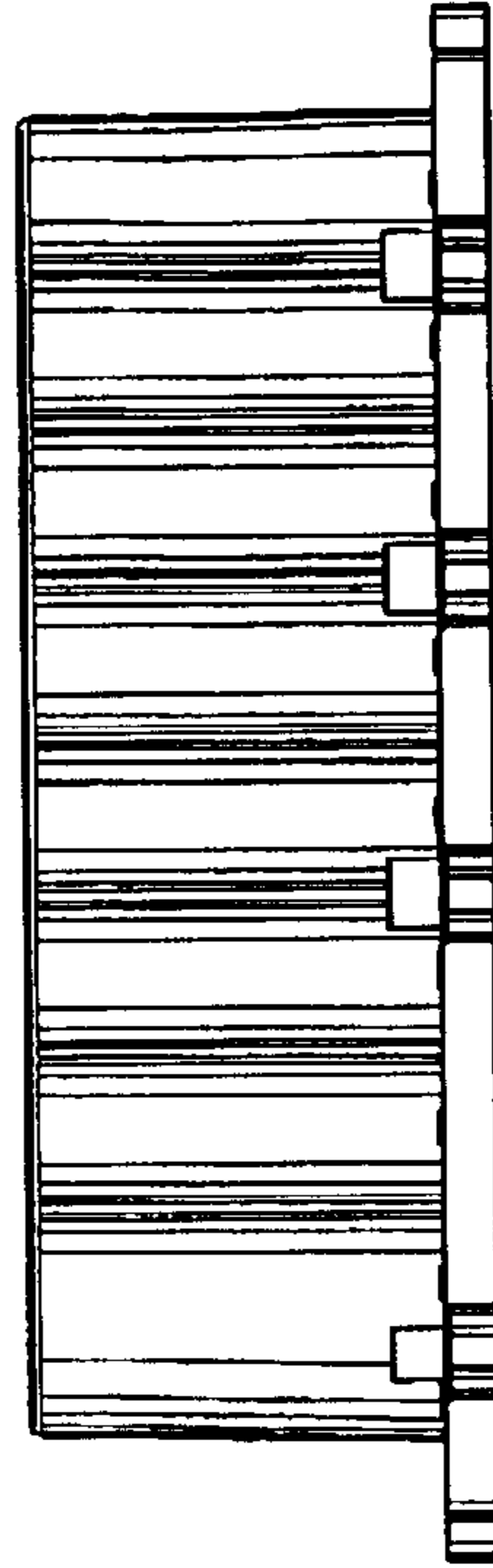


FIG.6

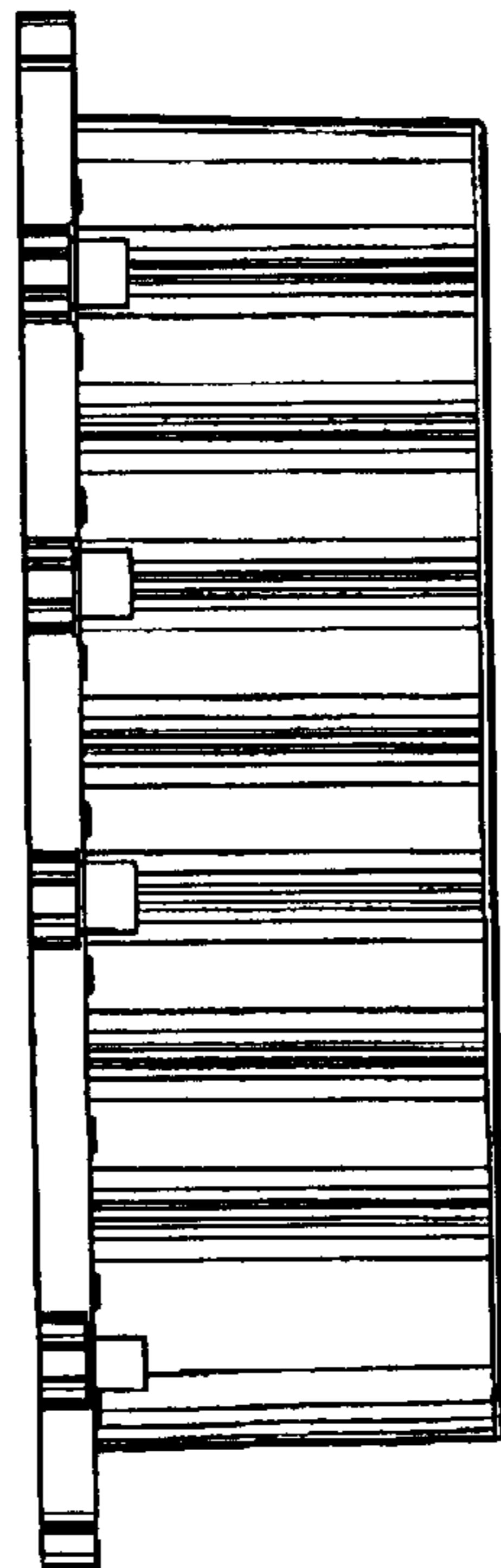


FIG.7

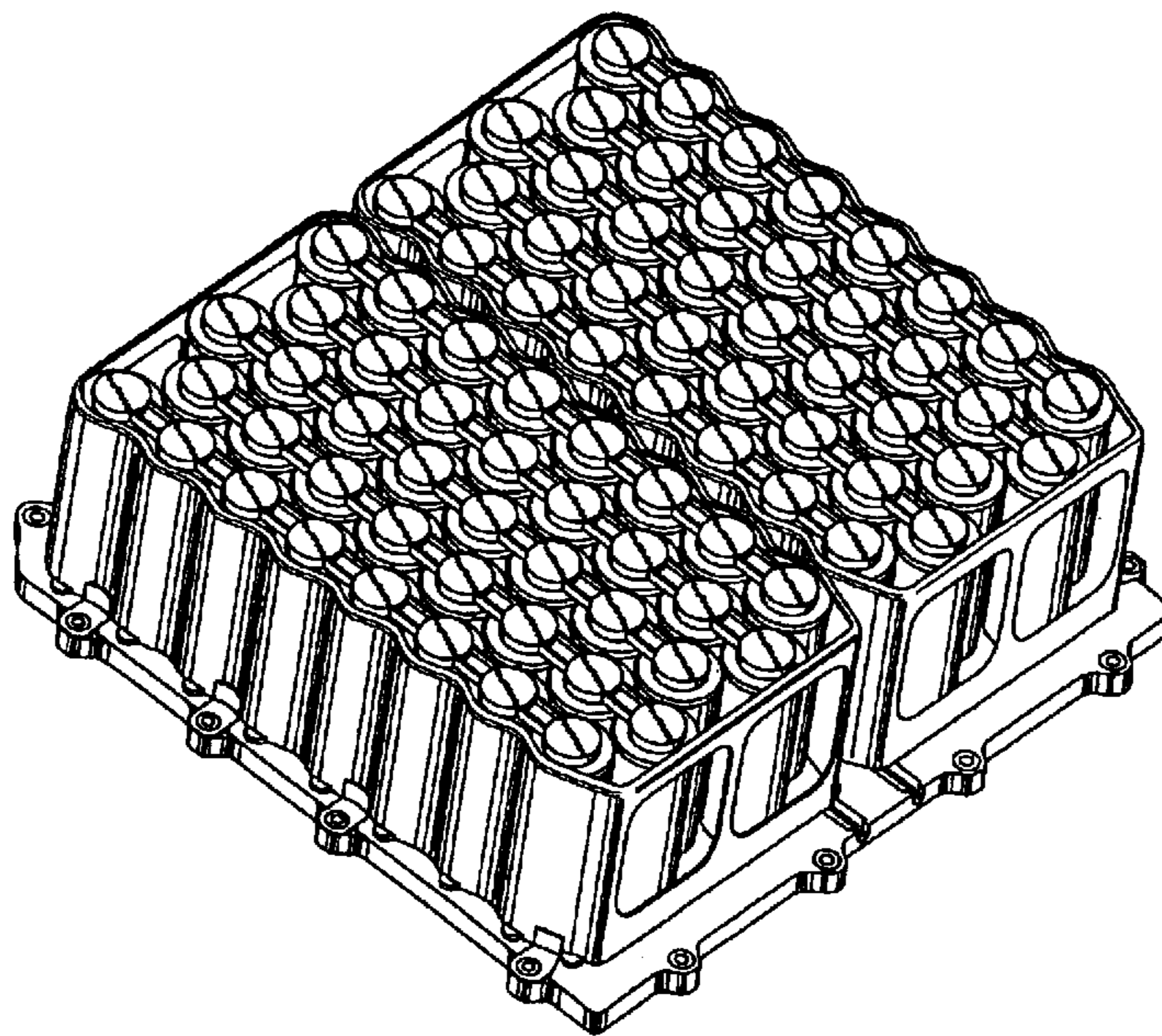


FIG.8

