



US00D512372S

(12) **United States Design Patent**
Sakai

(10) **Patent No.:** **US D512,372 S**
(45) **Date of Patent:** **** Dec. 6, 2005**

(54) **BATTERY CHARGER AND DATA STORAGE APPARATUS FOR ELECTRONIC CAMERAS**

(75) Inventor: **Masayuki Sakai**, Tokyo (JP)

(73) Assignee: **Fuji Photo Film Co., Ltd.**, Kanagawa (JP)

(**) Term: **14 Years**

(21) Appl. No.: **29/209,978**

(22) Filed: **Jul. 26, 2004**

(30) **Foreign Application Priority Data**

Apr. 6, 2004 (JP) 2004-010575

(51) **LOC (8) Cl.** **13-02**

(52) **U.S. Cl.** **D13/108**

(58) **Field of Search** D13/107-110,
D13/118-119, 184; D14/251, 253; D16/219,
237, 242; D8/368, 373; 320/107-115

(56) **References Cited**

U.S. PATENT DOCUMENTS

- D221,081 S * 7/1971 Kahn D13/110
- D280,810 S * 10/1985 Mitsui D13/118
- D300,678 S * 4/1989 Barrault D32/73

- D314,940 S * 2/1991 Lewis D13/119
- D332,390 S * 1/1993 Adams D8/373
- D485,234 S * 1/2004 Katayama D13/108
- D499,635 S * 12/2004 Osborne D8/373

* cited by examiner

Primary Examiner—Alan P. Douglas

Assistant Examiner—Rosemary Tarcza

(74) *Attorney, Agent, or Firm*—Young & Thompson

(57) **CLAIM**

The ornamental design for a battery charger and data storage apparatus for electronic cameras, as shown and described.

DESCRIPTION

FIG. 1 is a top, front and side perspective view of a battery charger and data storage apparatus for electronic cameras, showing my new design;

FIG. 2 is a front elevational view thereof;

FIG. 3 is a rear elevational view thereof;

FIG. 4 is a top plan view thereof;

FIG. 5 is a bottom plan view thereof; and,

FIG. 6 is a side elevational view thereof from the left of FIG. 2, the view from the side opposite that shown in FIG. 6 being the mirror image thereof.

1 Claim, 3 Drawing Sheets

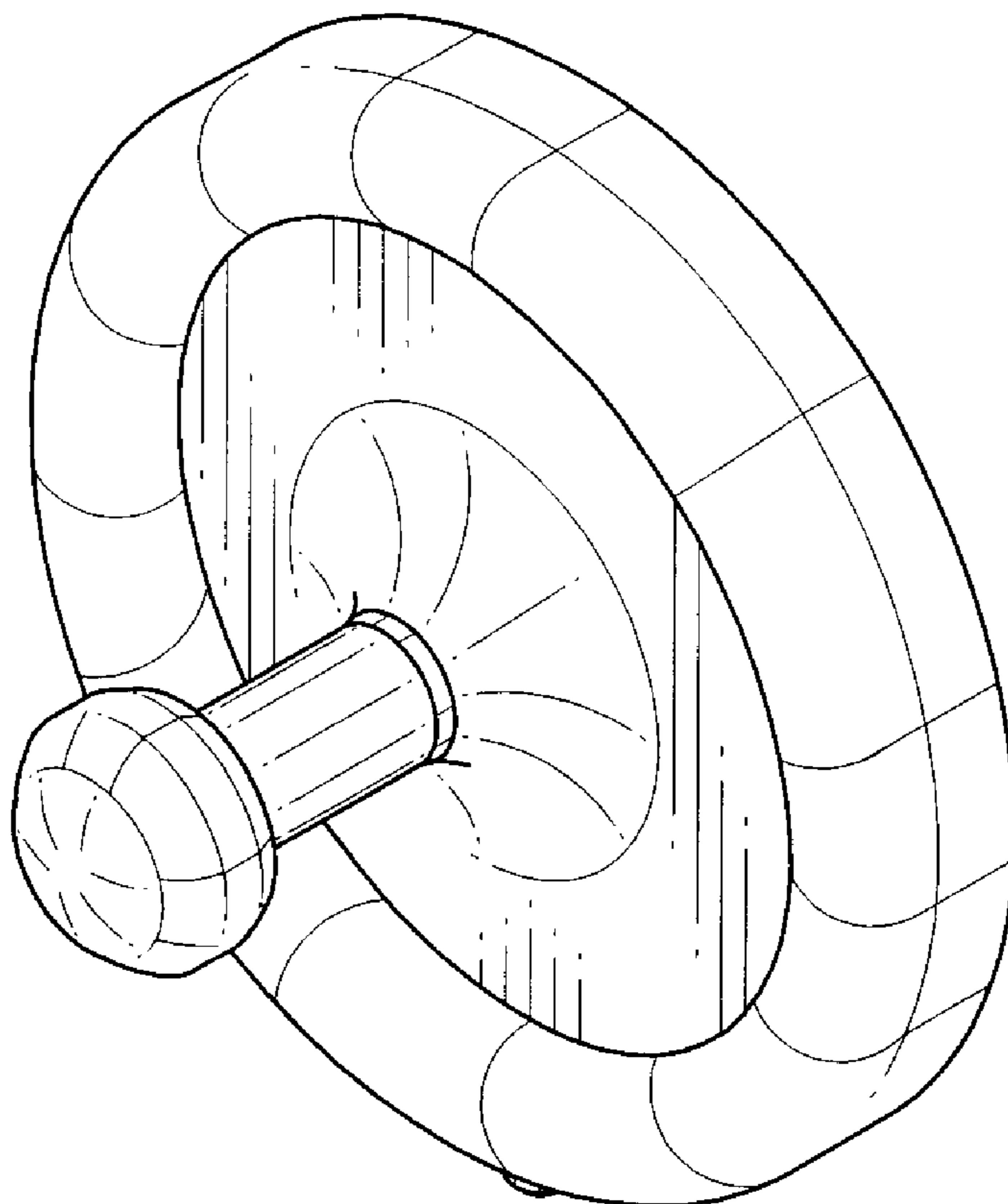


FIG. 1

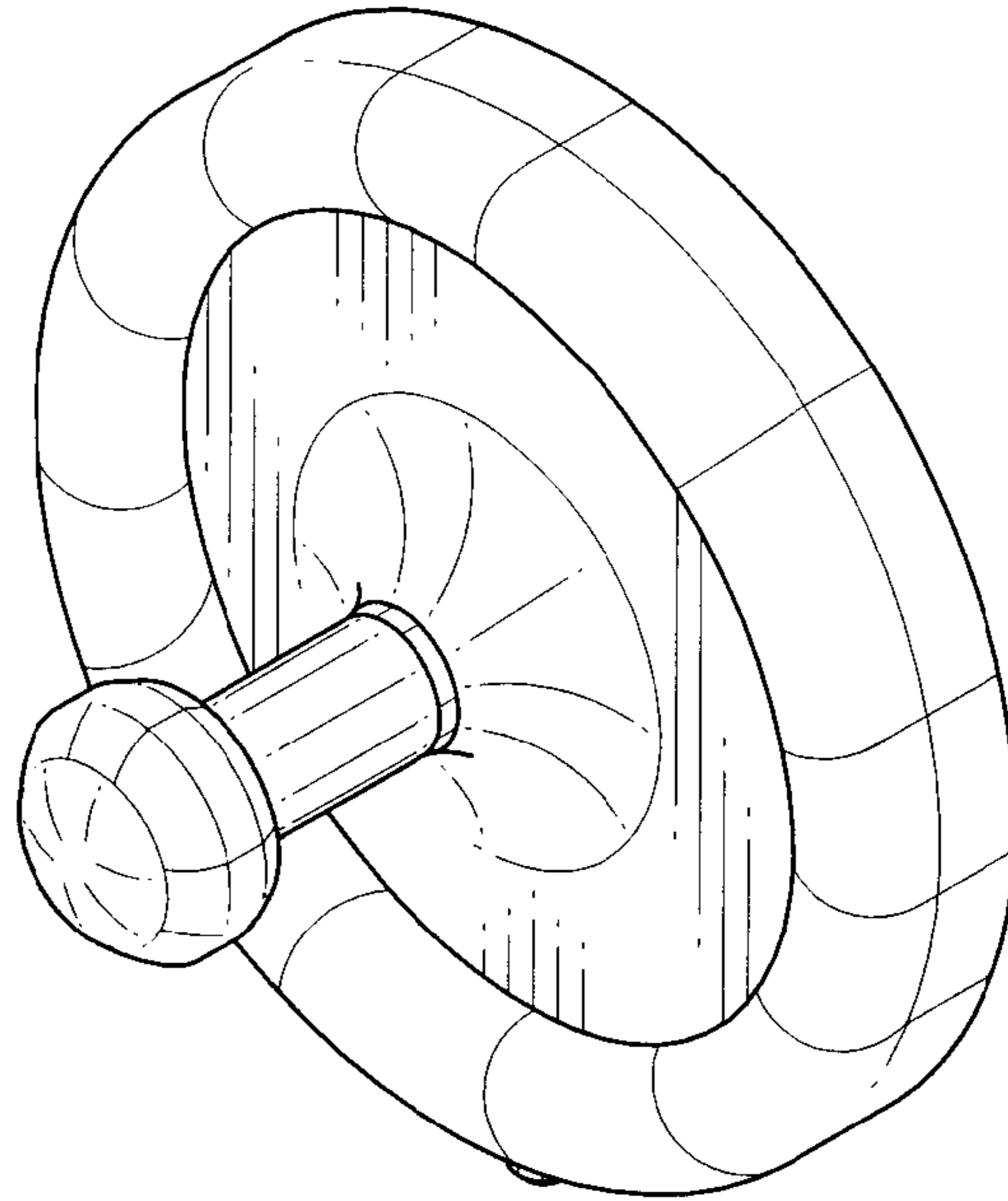


FIG. 2

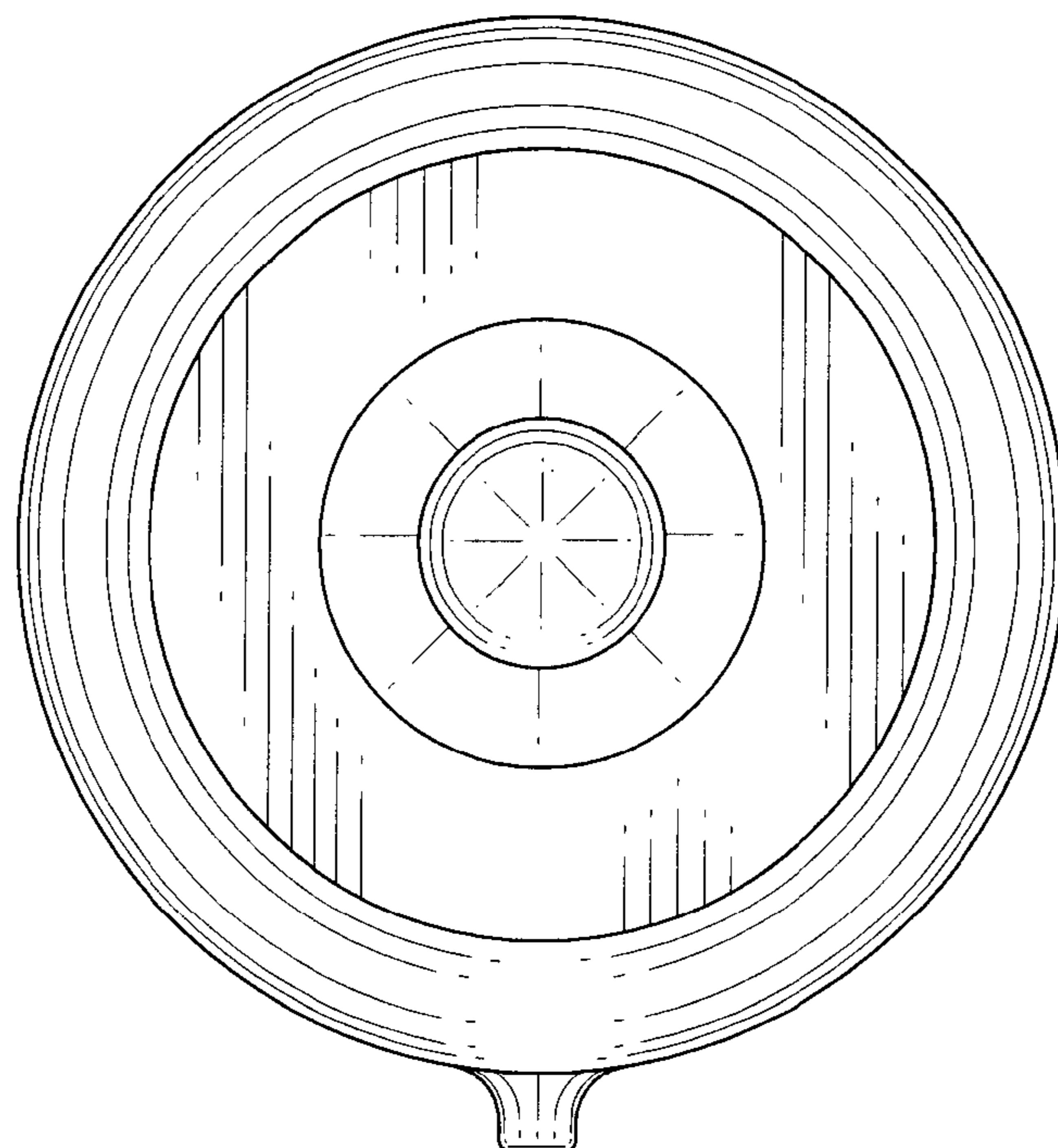


FIG.3

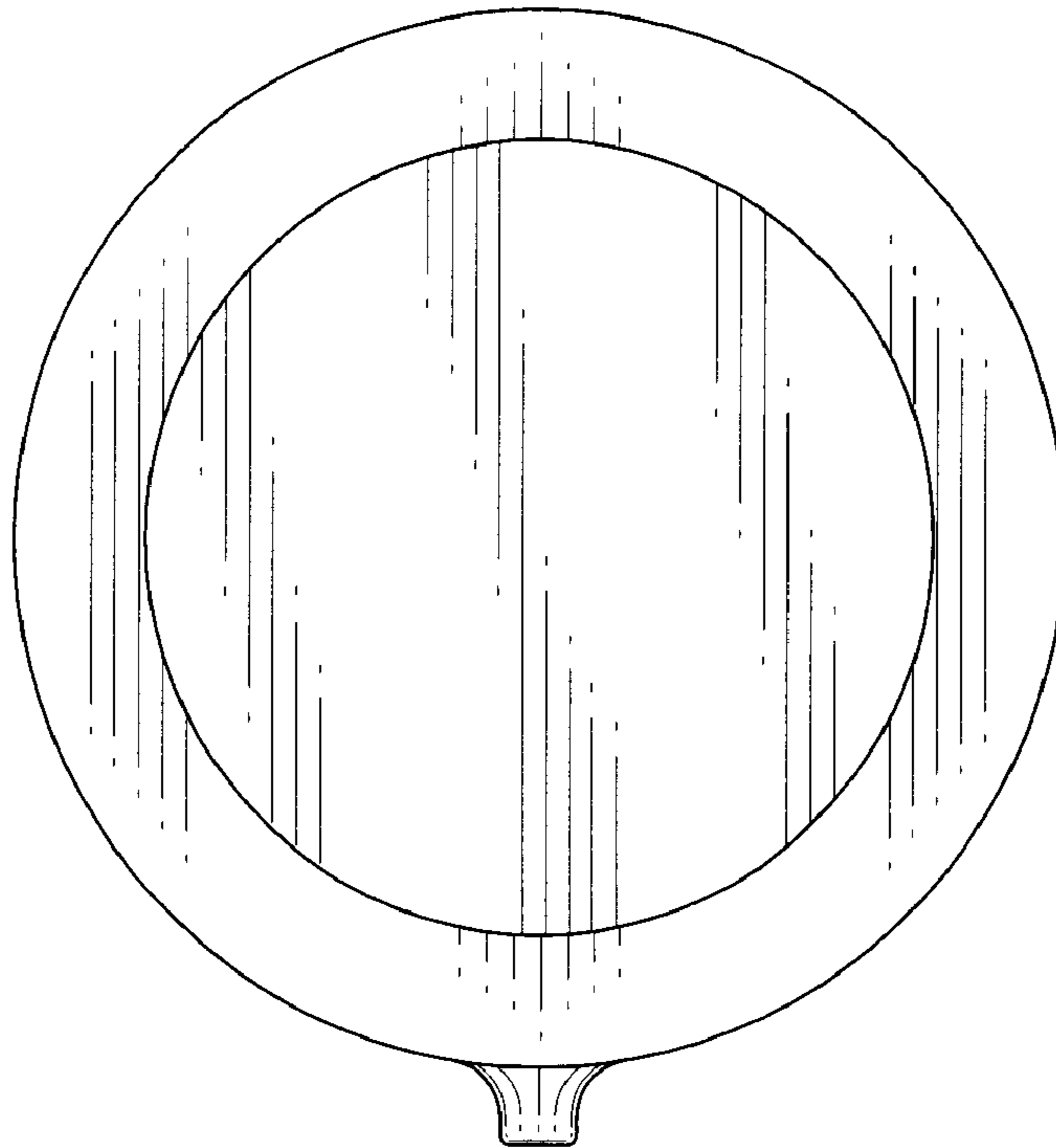


FIG.4

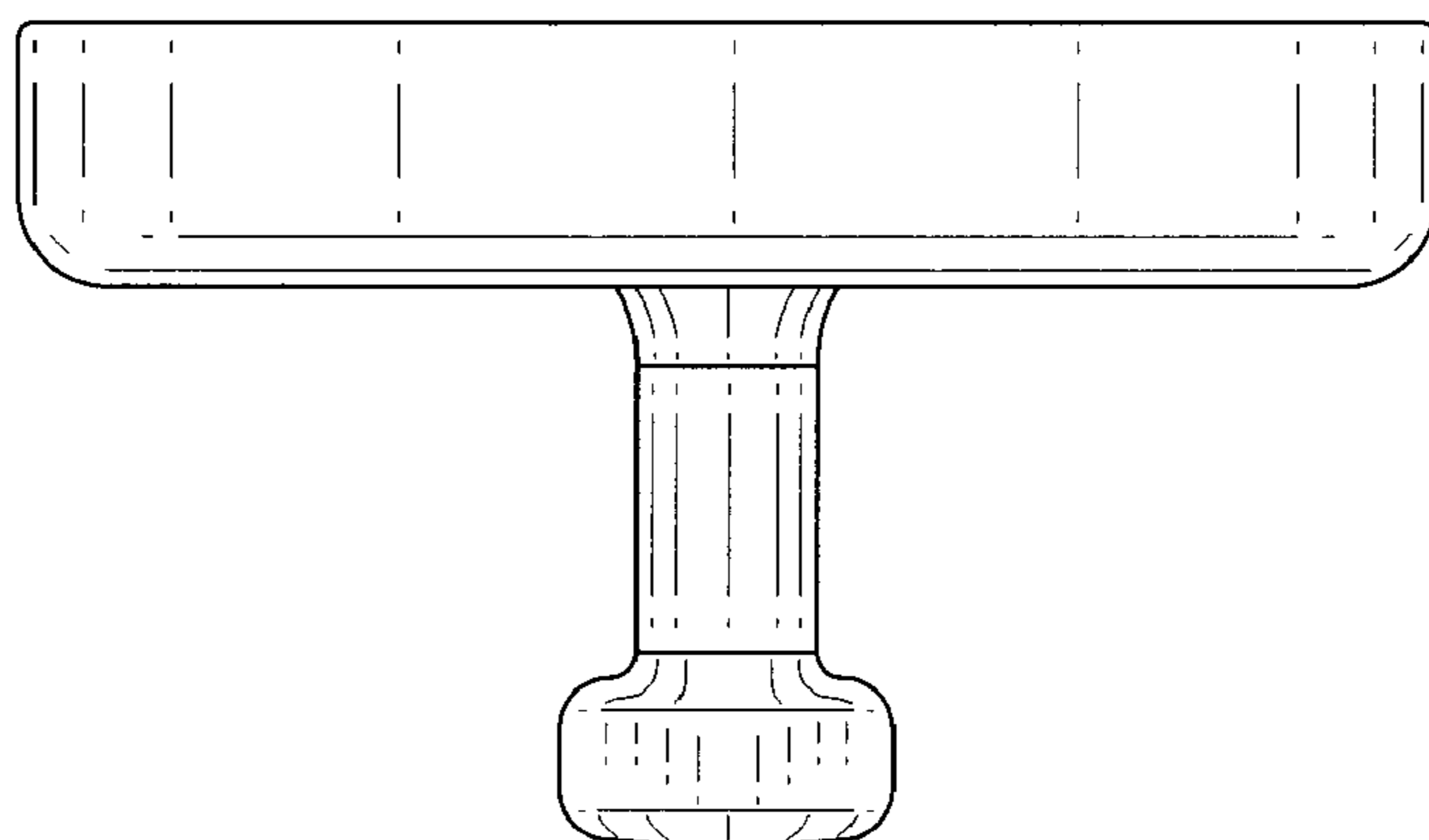


FIG. 5

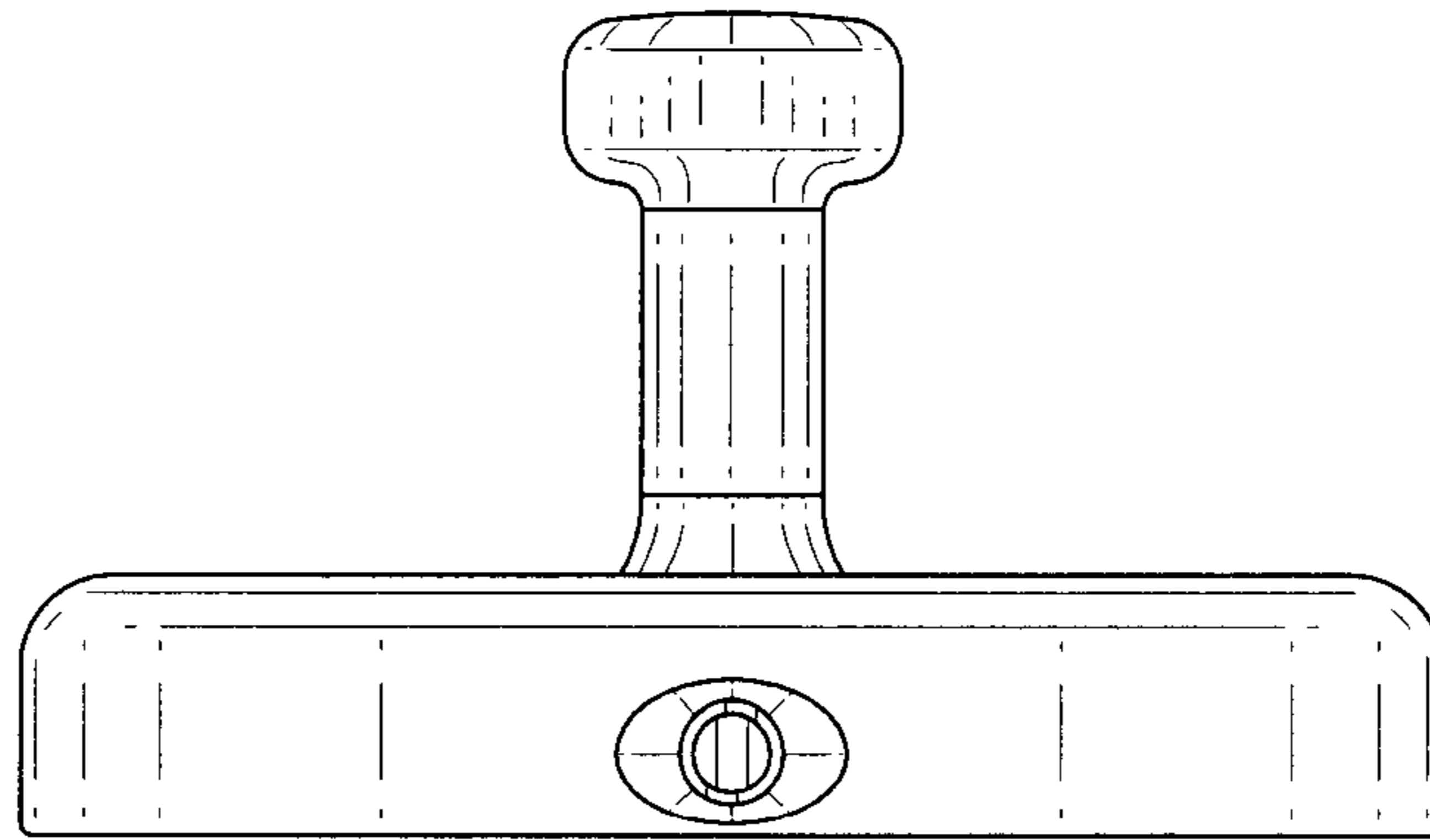


FIG. 6

