



US00D512371S

(12) **United States Design Patent** (10) **Patent No.:** **US D512,371 S**  
**Axelrod** (45) **Date of Patent:** **\*\* \*Dec. 6, 2005**

(54) **BATTERY CARTRIDGE**

- (75) Inventor: **Michael Axelrod**, Roswell, GA (US)
- (73) Assignee: **Arris International, Inc.**, Suwanee, GA (US)
- (\*) Notice: This patent is subject to a terminal disclaimer.
- (\*\*) Term: **14 Years**
- (21) Appl. No.: **29/186,209**
- (22) Filed: **Jul. 11, 2003**
- (51) **LOC (8) Cl.** ..... **13-02**
- (52) **U.S. Cl.** ..... **D13/103**
- (58) **Field of Search** ..... D13/103, 110;  
429/96-100, 159, 163, 176

(56) **References Cited**

**U.S. PATENT DOCUMENTS**

D414,159 S \* 9/1999 Deslyper et al. .... D13/103

(Continued)

*Primary Examiner*—Alan P. Douglas

*Assistant Examiner*—Rosemary Tarca

(74) *Attorney, Agent, or Firm*—John L. Doughty

(57) **CLAIM**

I claim the ornamental design for a battery cartridge, as shown and described.

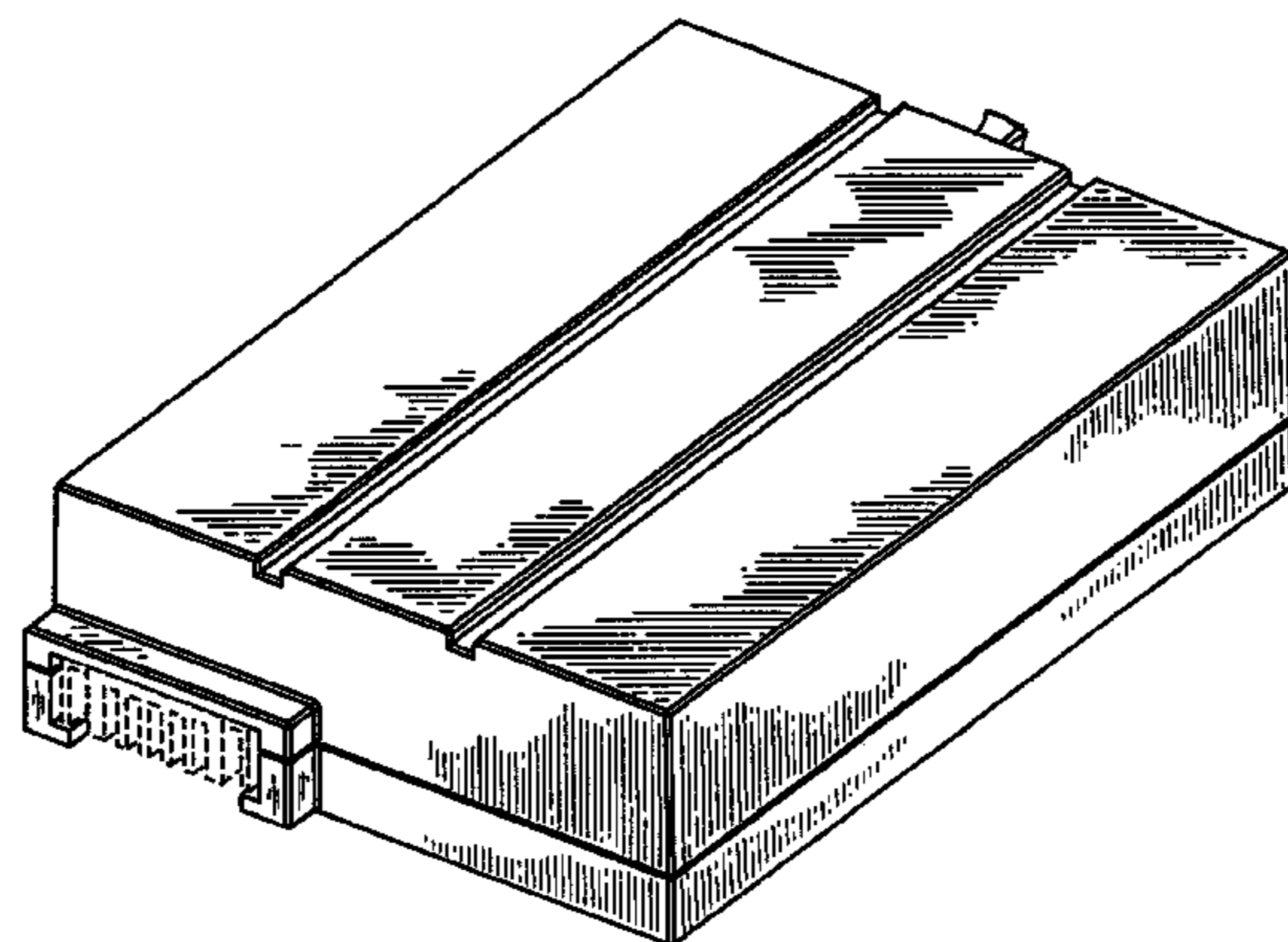
**DESCRIPTION**

FIG. 1 illustrates a top perspective view of a first embodiment of a battery cartridge looking from a connector end; FIG. 2 illustrates a top perspective view of a second embodiment of a battery cartridge looking from a connector end; FIG. 3 illustrates a perspective view of a first embodiment looking from a withdrawal end; FIG. 4 illustrates a perspective view of a second embodiment looking from a withdrawal end; FIG. 5 illustrates a bottom perspective view of a first embodiment; FIG. 6 illustrates a bottom perspective view of a second embodiment; FIG. 7 illustrates a side elevation view of a first embodiment and of a second embodiment;

FIG. 8 illustrates a plan view of a first embodiment looking from a top side thereof; FIG. 9 illustrates a plan view of a second embodiment looking from a top side thereof; FIG. 10 illustrates an elevation view of the connector end of a first embodiment and of a second embodiment; FIG. 11 illustrates an elevation view of the withdrawal end of a first embodiment; FIG. 12 illustrates an elevation view of the withdrawal end of a second embodiment; FIG. 13 illustrates a plan view looking from a bottom side of a first embodiment; FIG. 14 illustrates a plan view looking from a bottom side of a second embodiment; FIG. 15 illustrates a top perspective view of a third embodiment of a battery cartridge, the third embodiment being without chamfered edges, looking from a connector end; FIG. 16 illustrates a top perspective view of a fourth embodiment of a battery cartridge, the fourth embodiment being without chamfered edges, looking from a connector end; FIG. 17 illustrates a perspective view of a third embodiment; FIG. 18 illustrates a perspective view of a fourth embodiment; FIG. 19 illustrates a bottom perspective view of a third embodiment; FIG. 20 illustrates a bottom perspective view of a fourth embodiment; FIG. 21 illustrates a side elevation view of a third embodiment and of a fourth embodiment; FIG. 22 illustrates a plan view of a third embodiment; FIG. 23 illustrates a plan view of a fourth embodiment; FIG. 24 illustrates an elevation view of the connector end of a third embodiment and of a fourth embodiment; FIG. 25 illustrates a plan view looking from a bottom side of a third embodiment; FIG. 26 illustrates a plan view looking from a bottom side of a fourth embodiment; FIG. 27 illustrates an elevation view of the withdrawal end of a third embodiment; and, FIG. 28 illustrates an elevation view of the withdrawal end of a fourth embodiment.

The broken lines throughout the drawings are included for the purpose of illustrating portions of the battery cartridge that form no part of the claimed design.

**1 Claim, 28 Drawing Sheets**



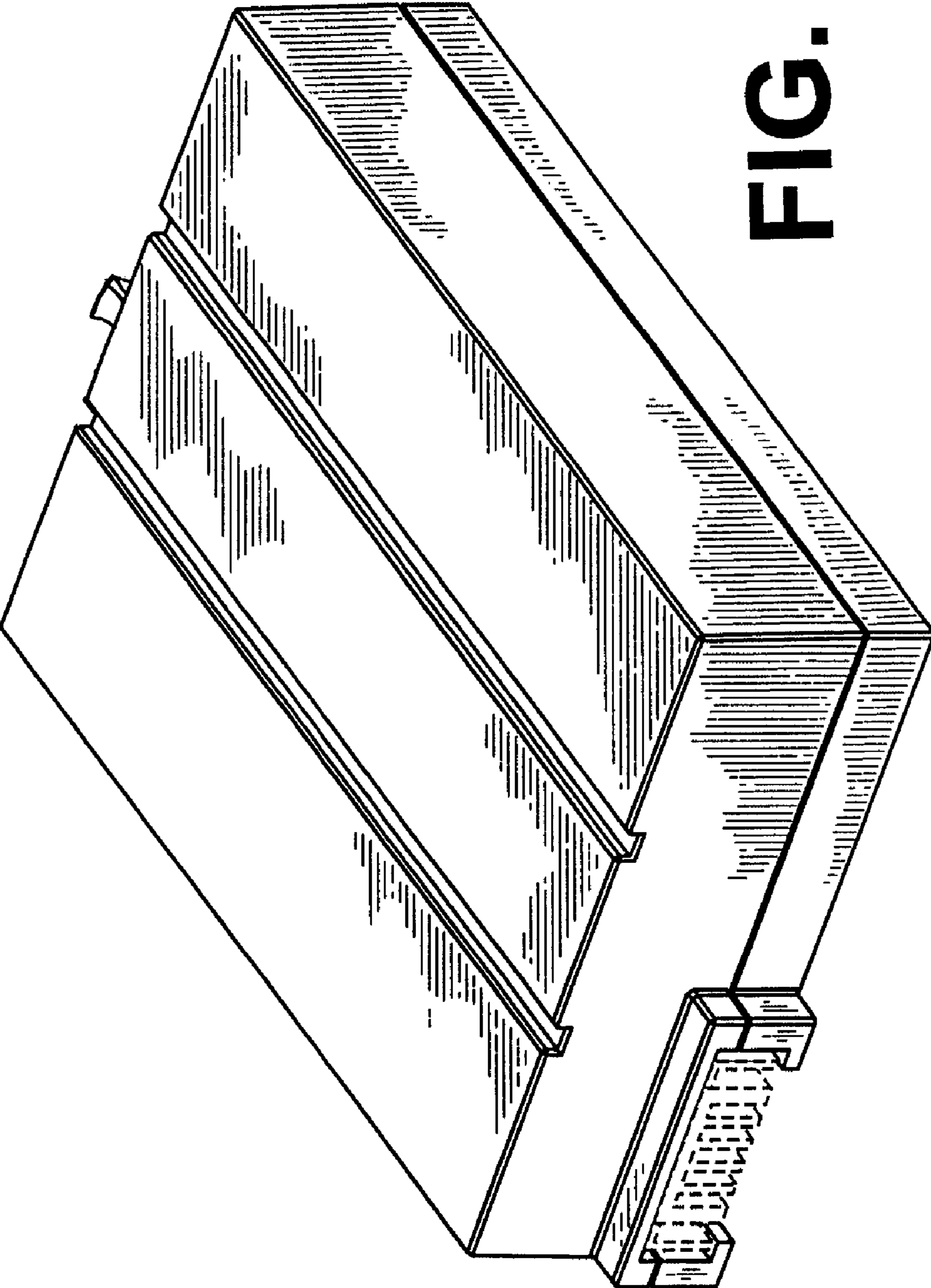
# US D512,371 S

Page 2

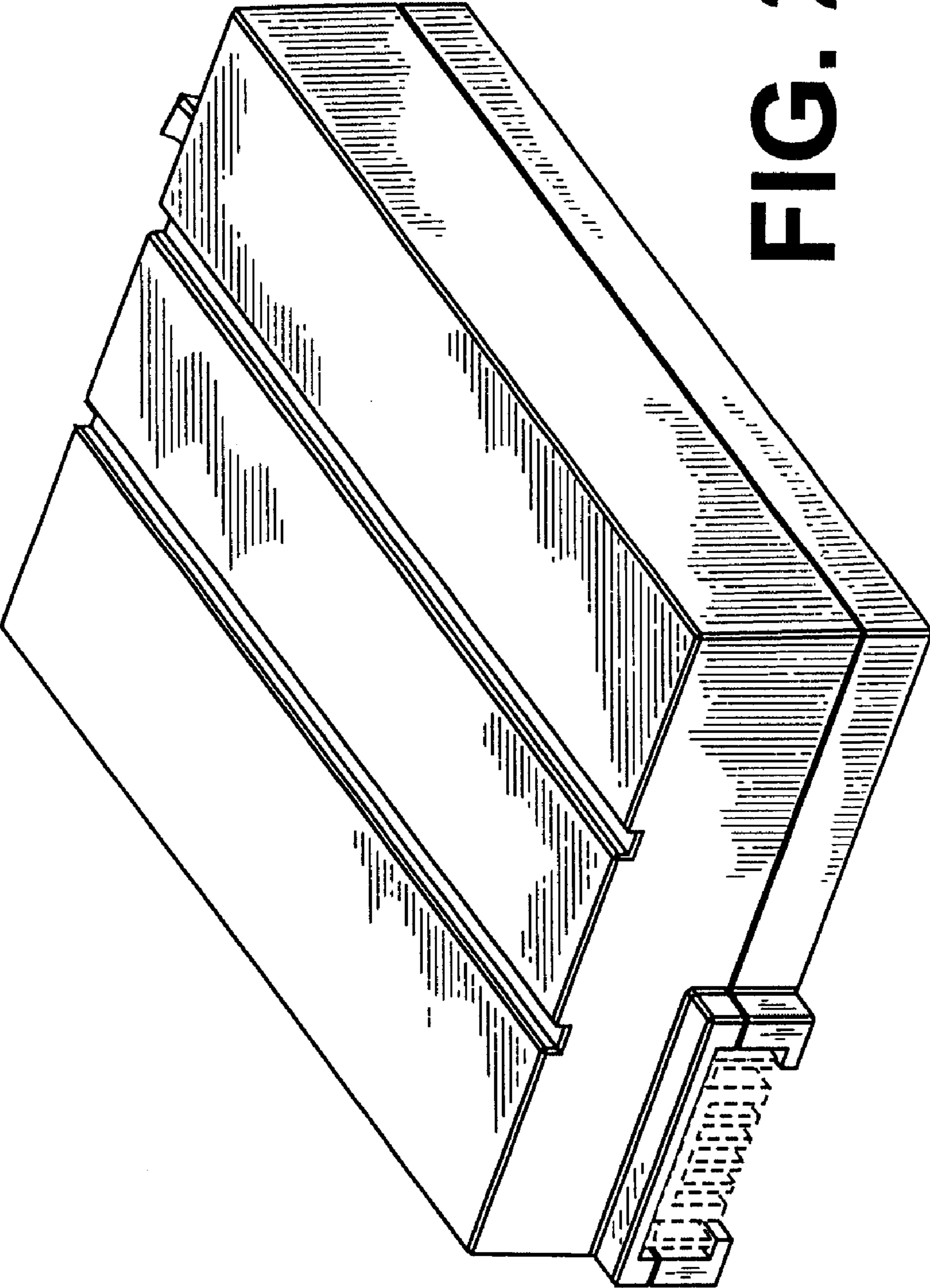
---

## U.S. PATENT DOCUMENTS

D440,201 S	*	4/2001	Huynh et al. ....	D13/103	D473,186 S	*	4/2003	Grosfeld et al. ....	D13/103
D449,577 S	*	10/2001	Nishio et al. ....	D13/103	6,583,600 B2	*	6/2003	Haga et al. ....	320/110
6,380,713 B2	*	4/2002	Namura .....	320/112					* cited by examiner

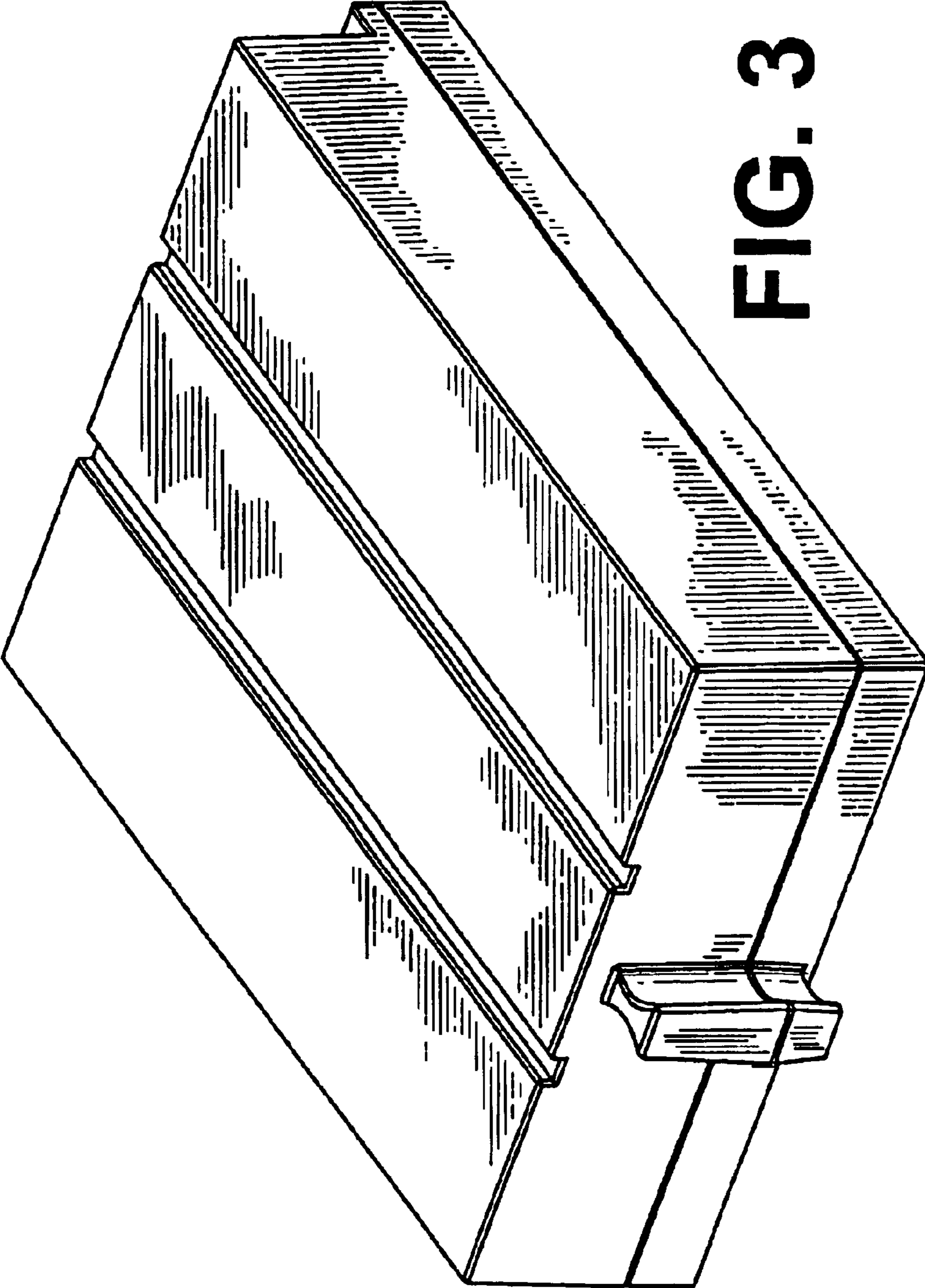


**FIG. 1**

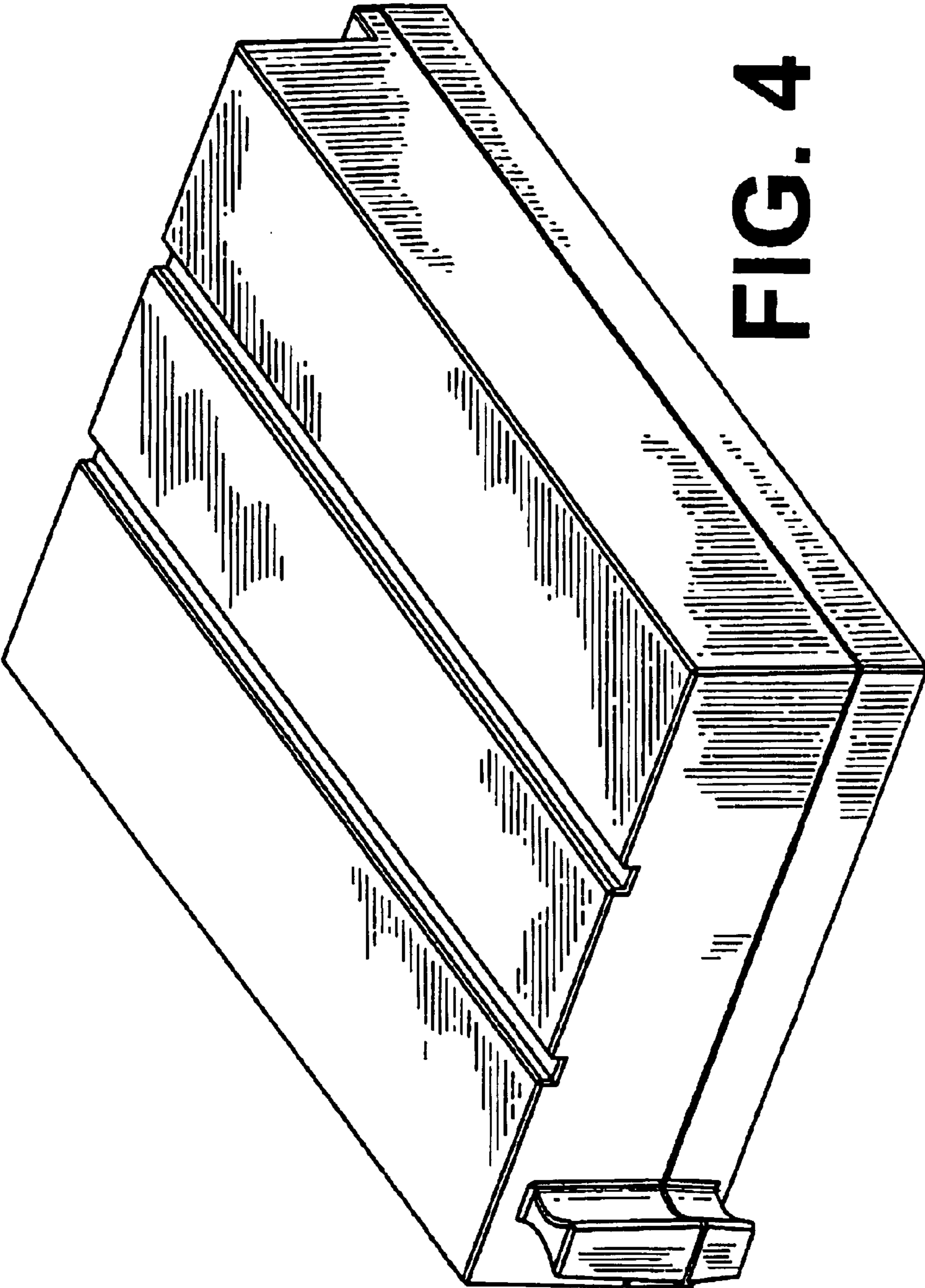


**FIG. 2**

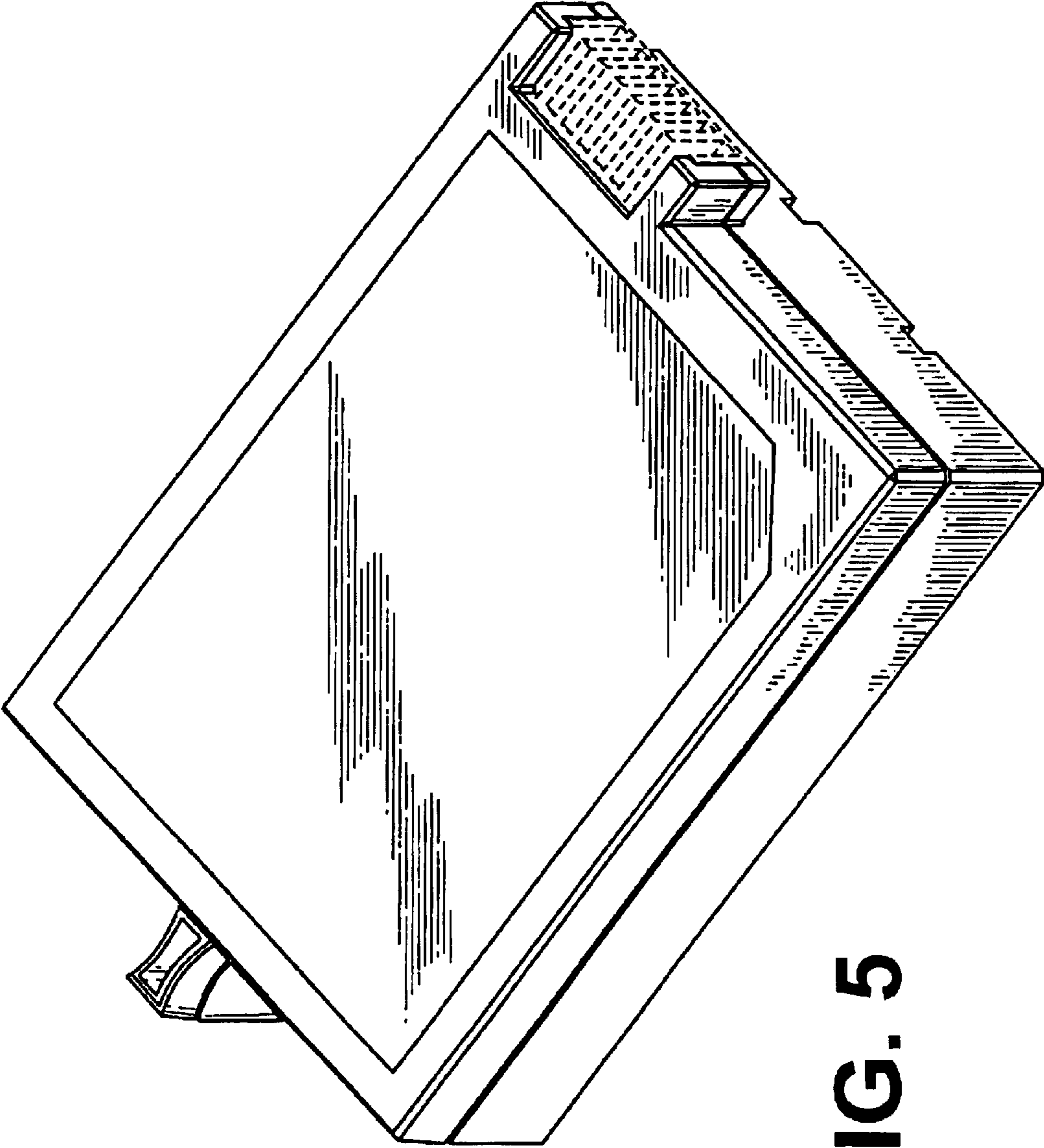




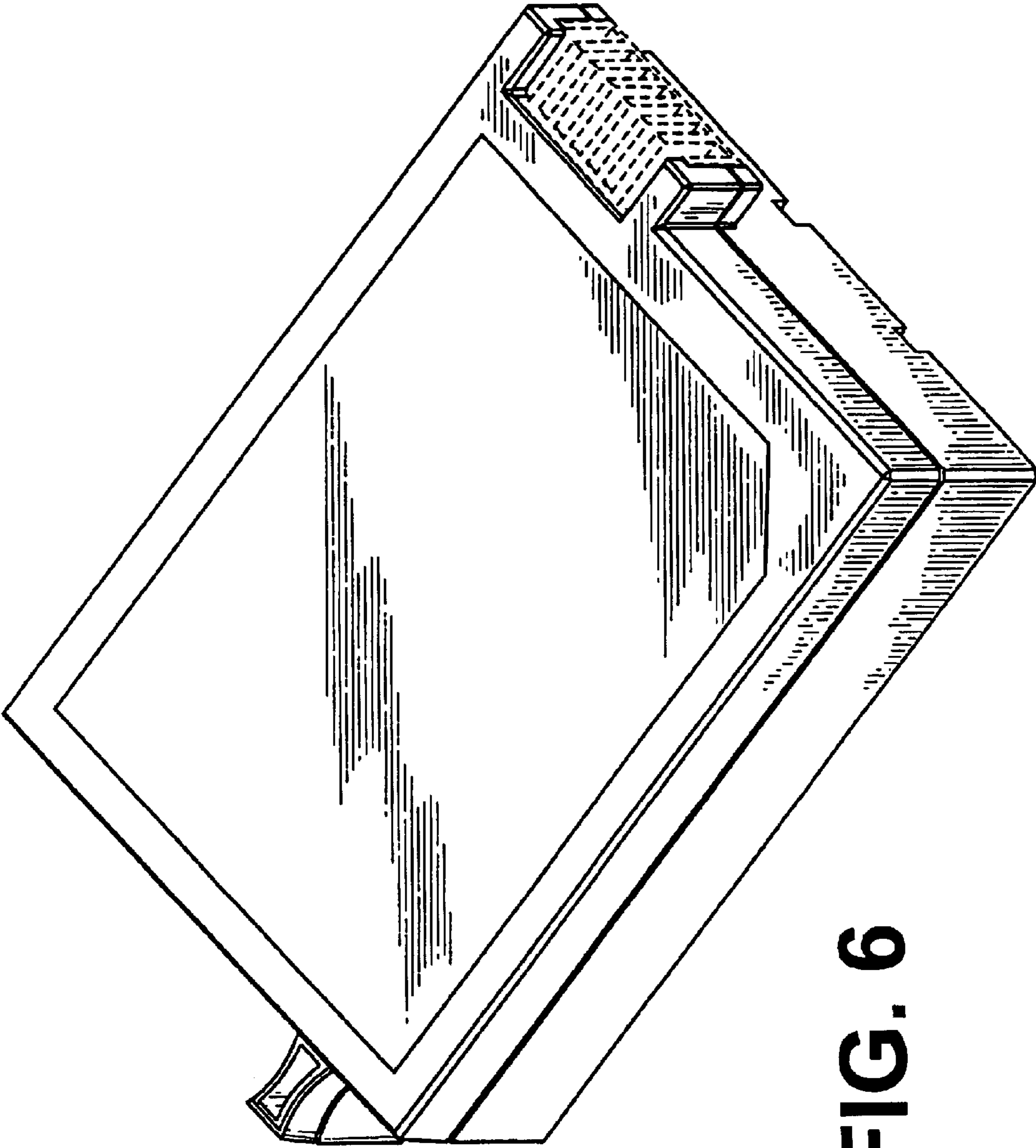
**FIG. 3**



**FIG. 4**

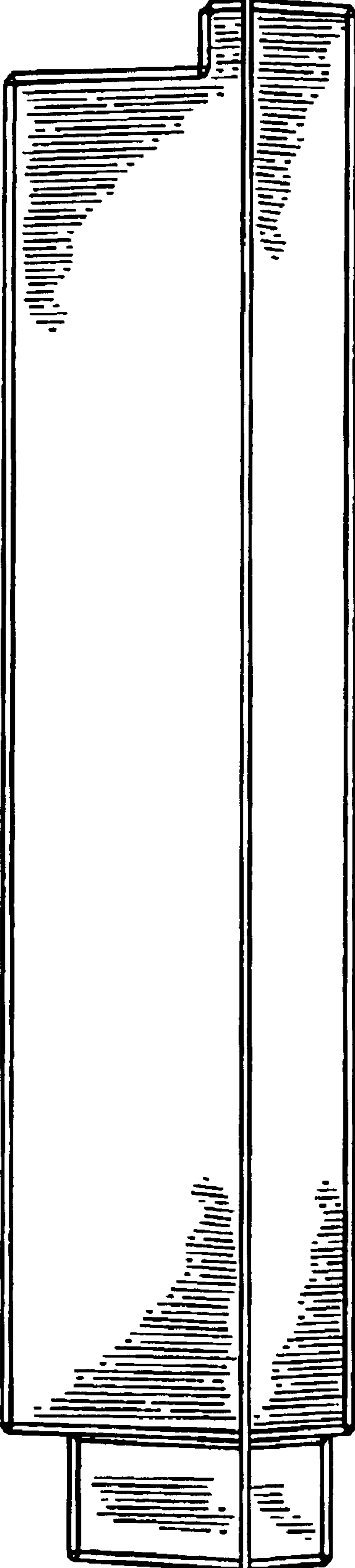


**FIG. 5**

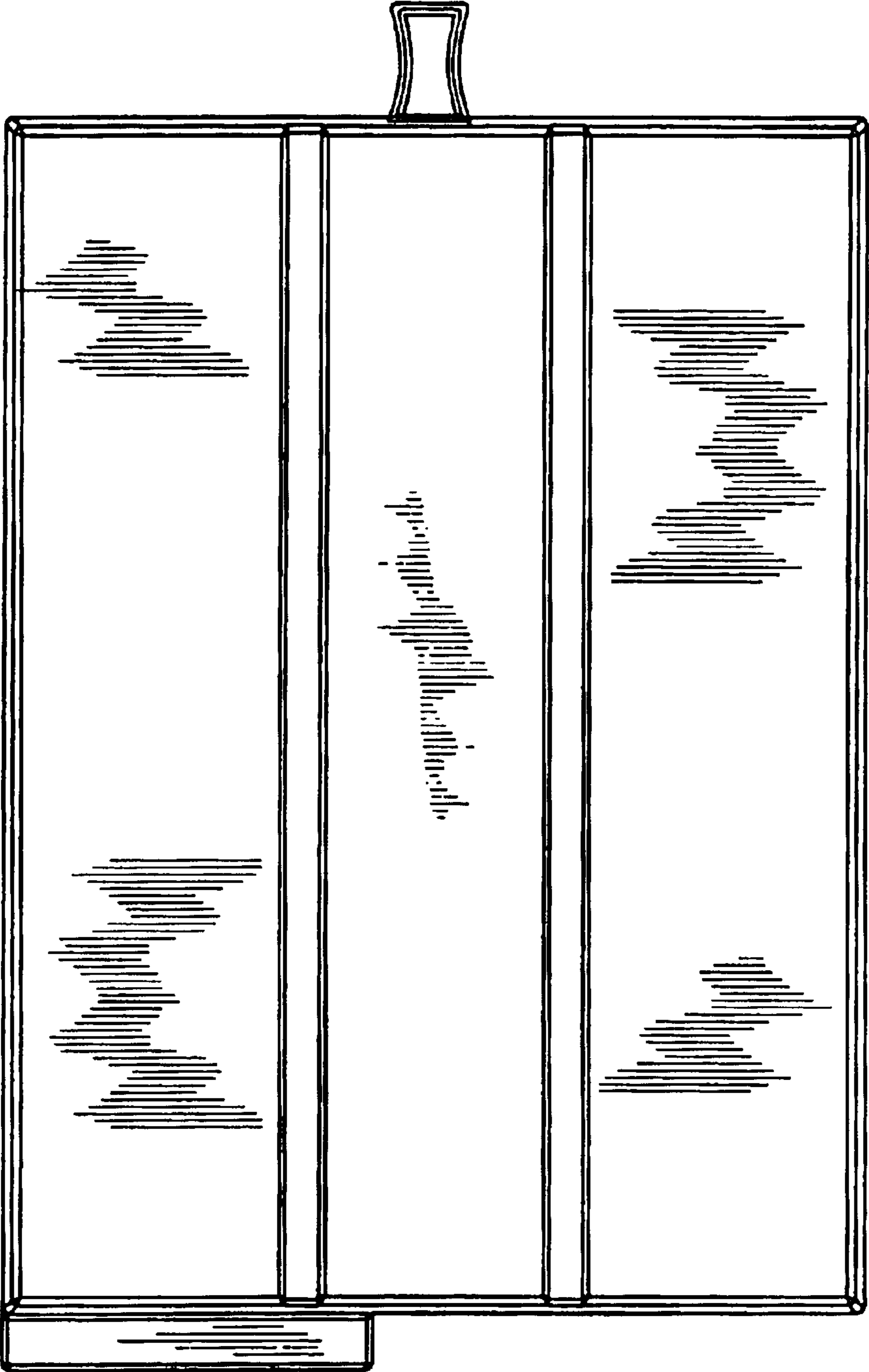


**FIG. 6**





**FIG. 7**



**FIG. 8**

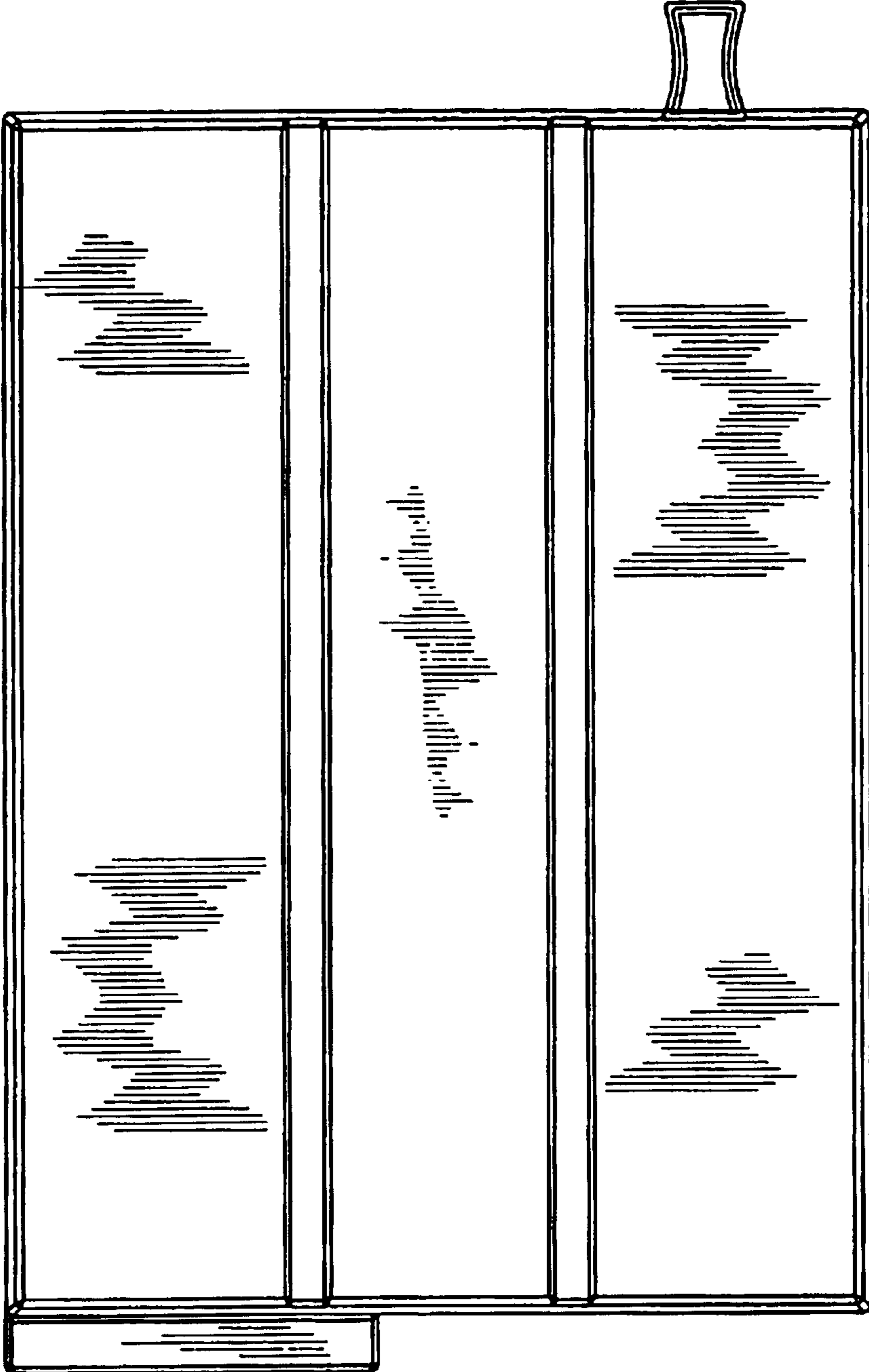
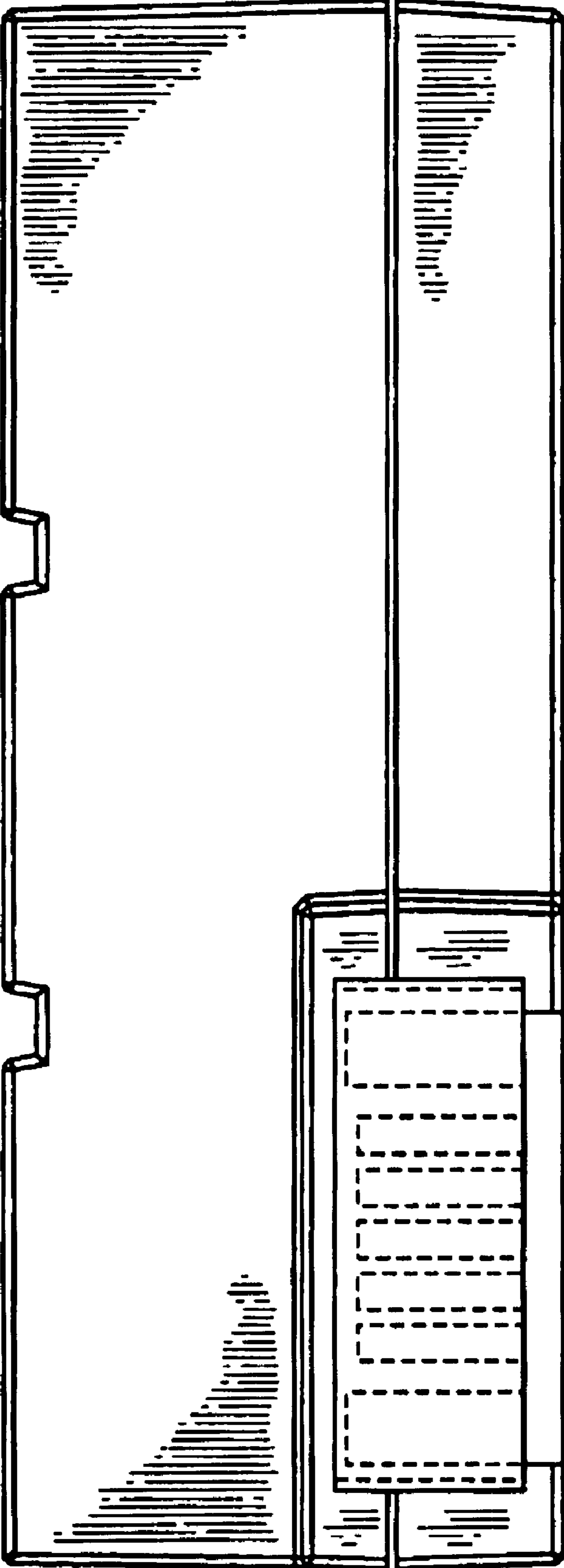
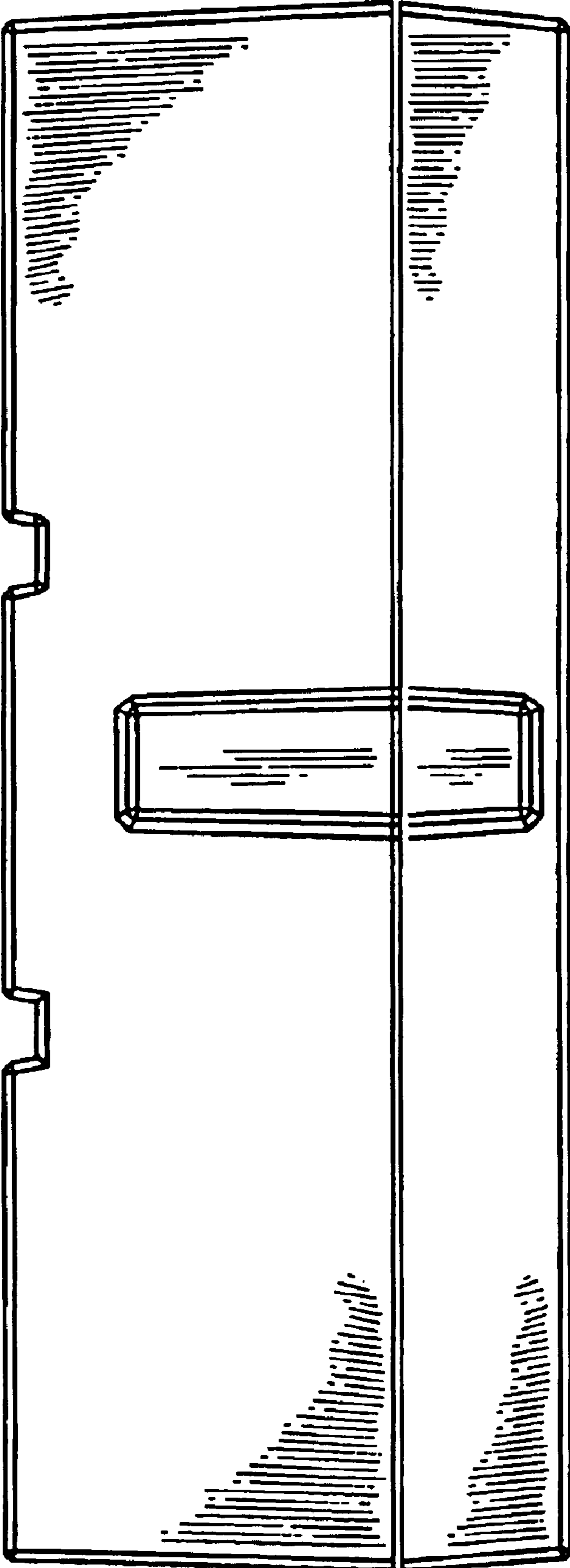


FIG. 9

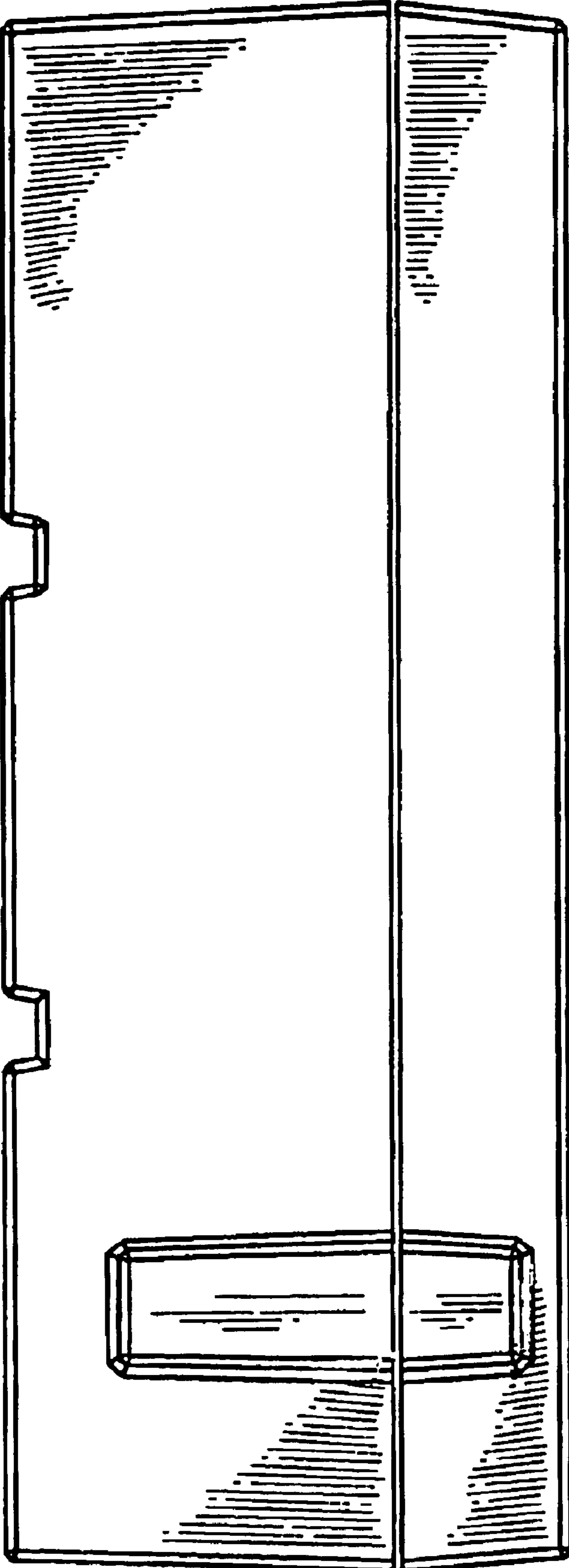


**FIG. 10**

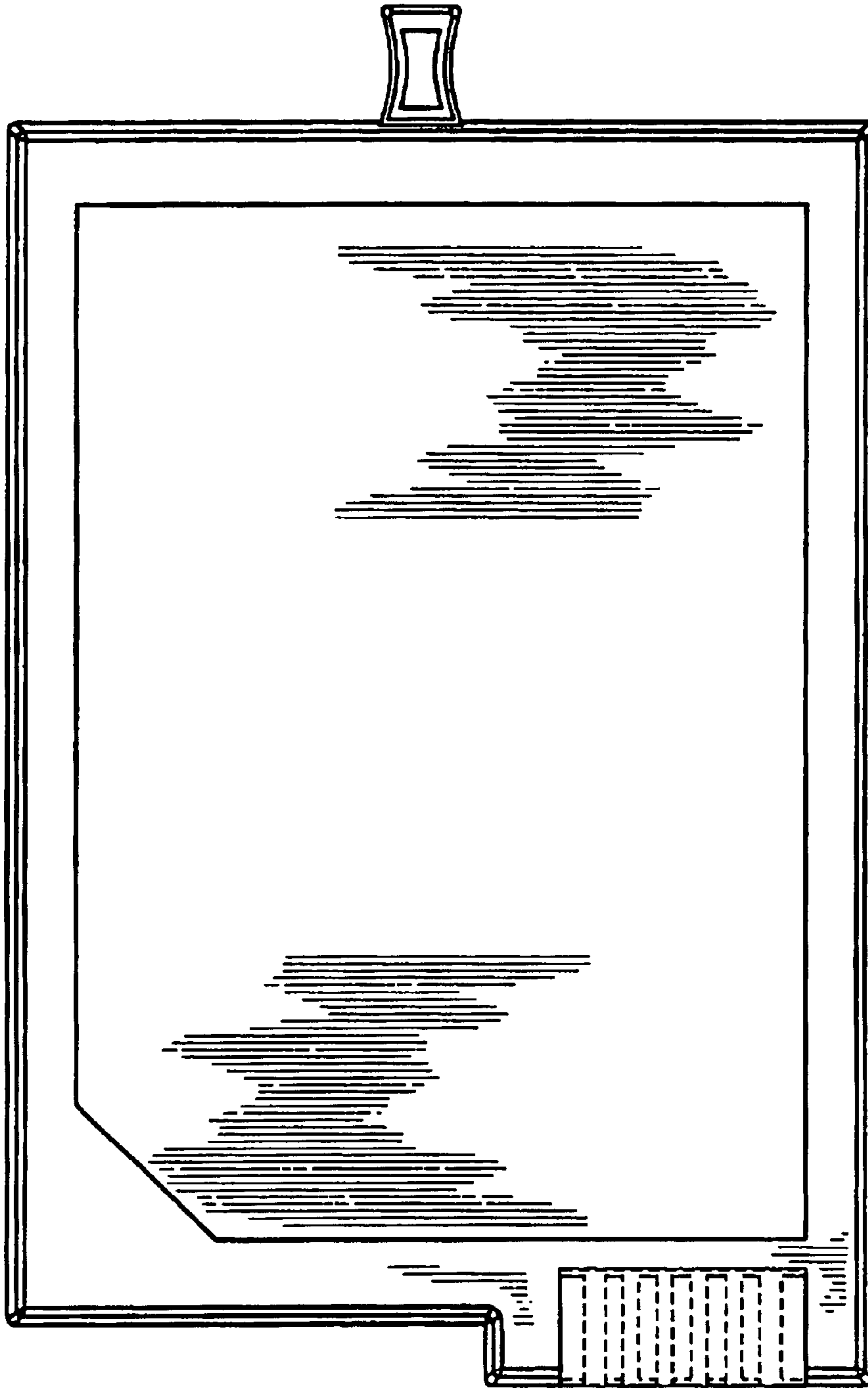




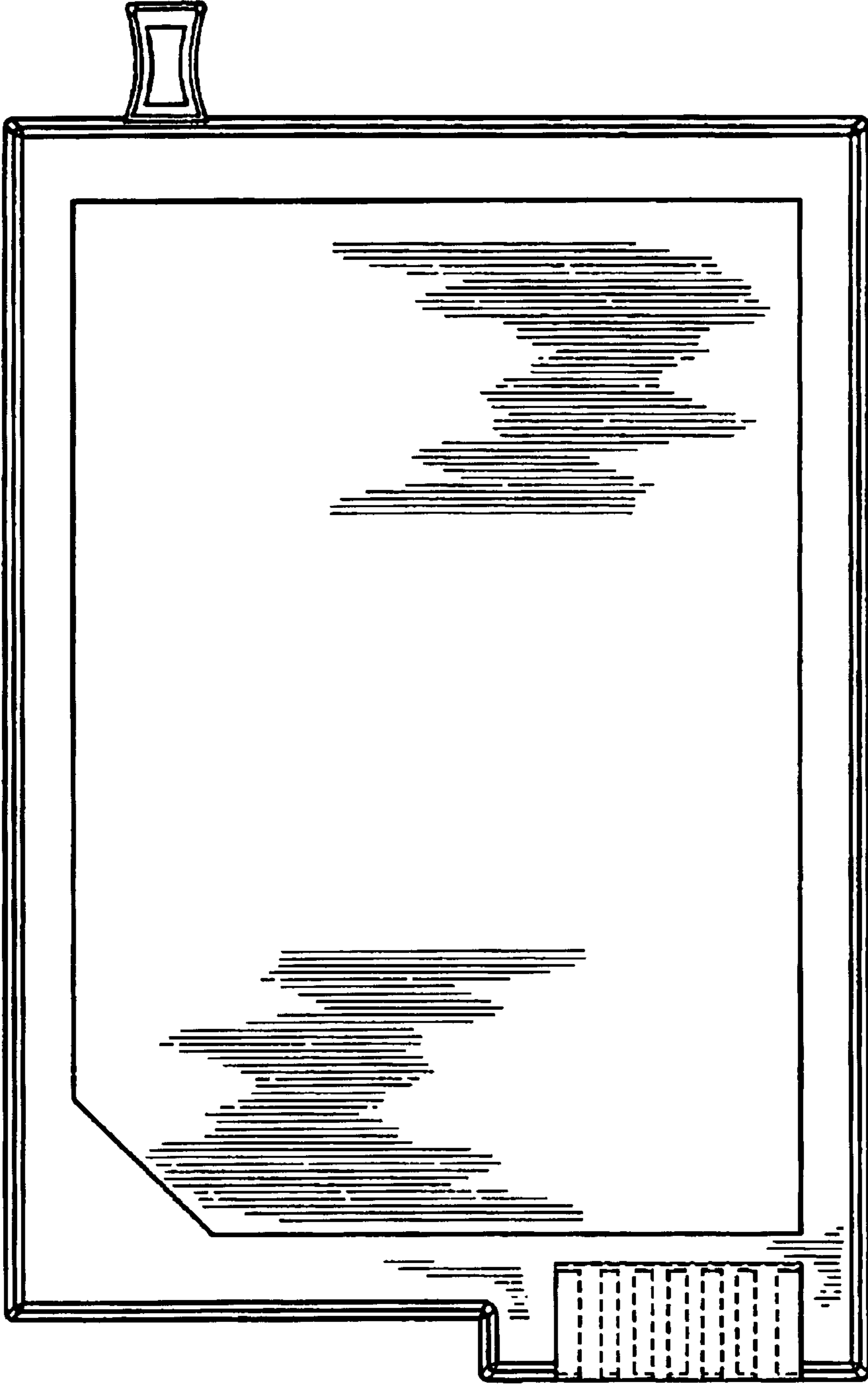
**FIG. 11**



**FIG. 12**

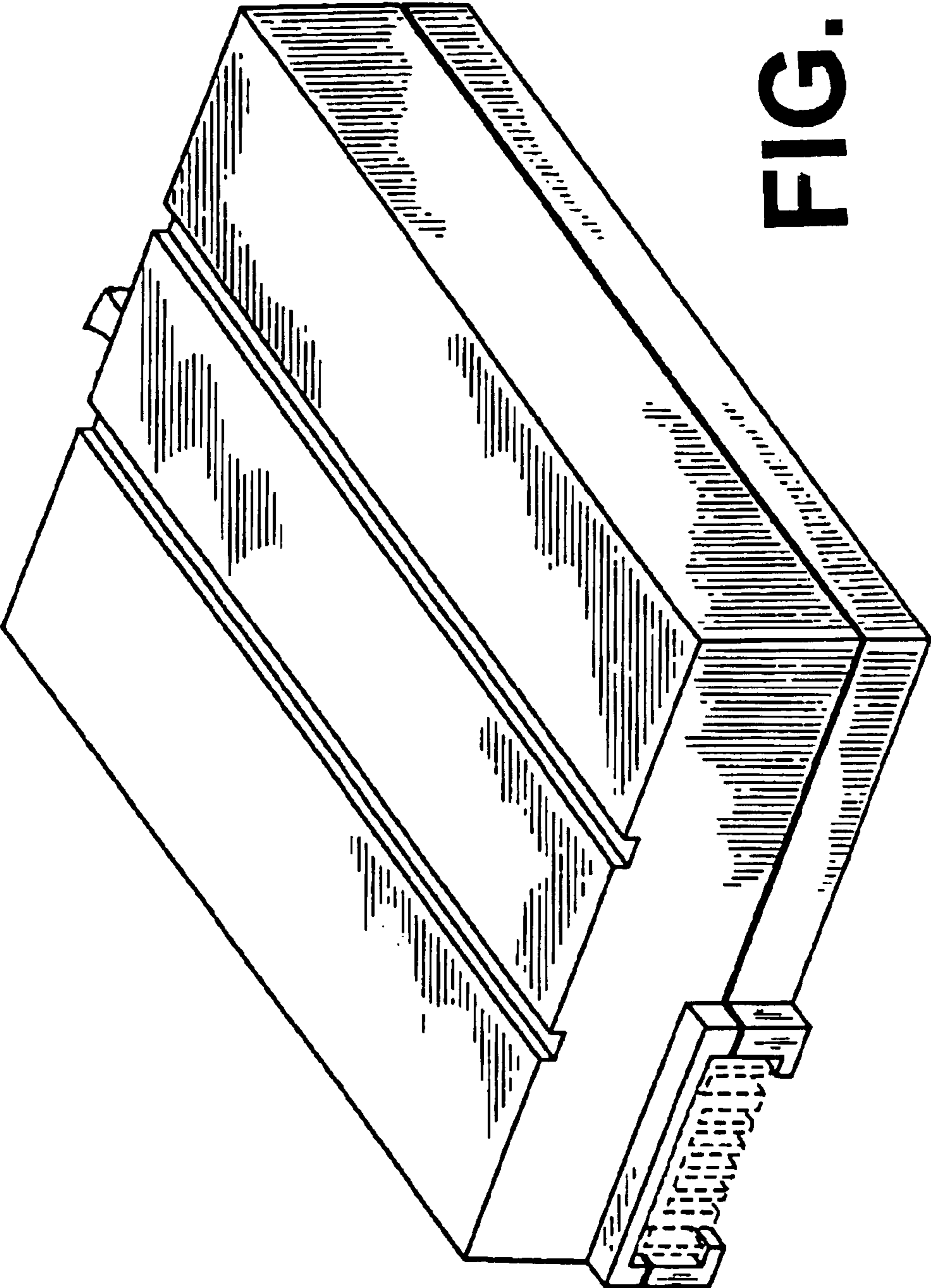


**FIG. 13**

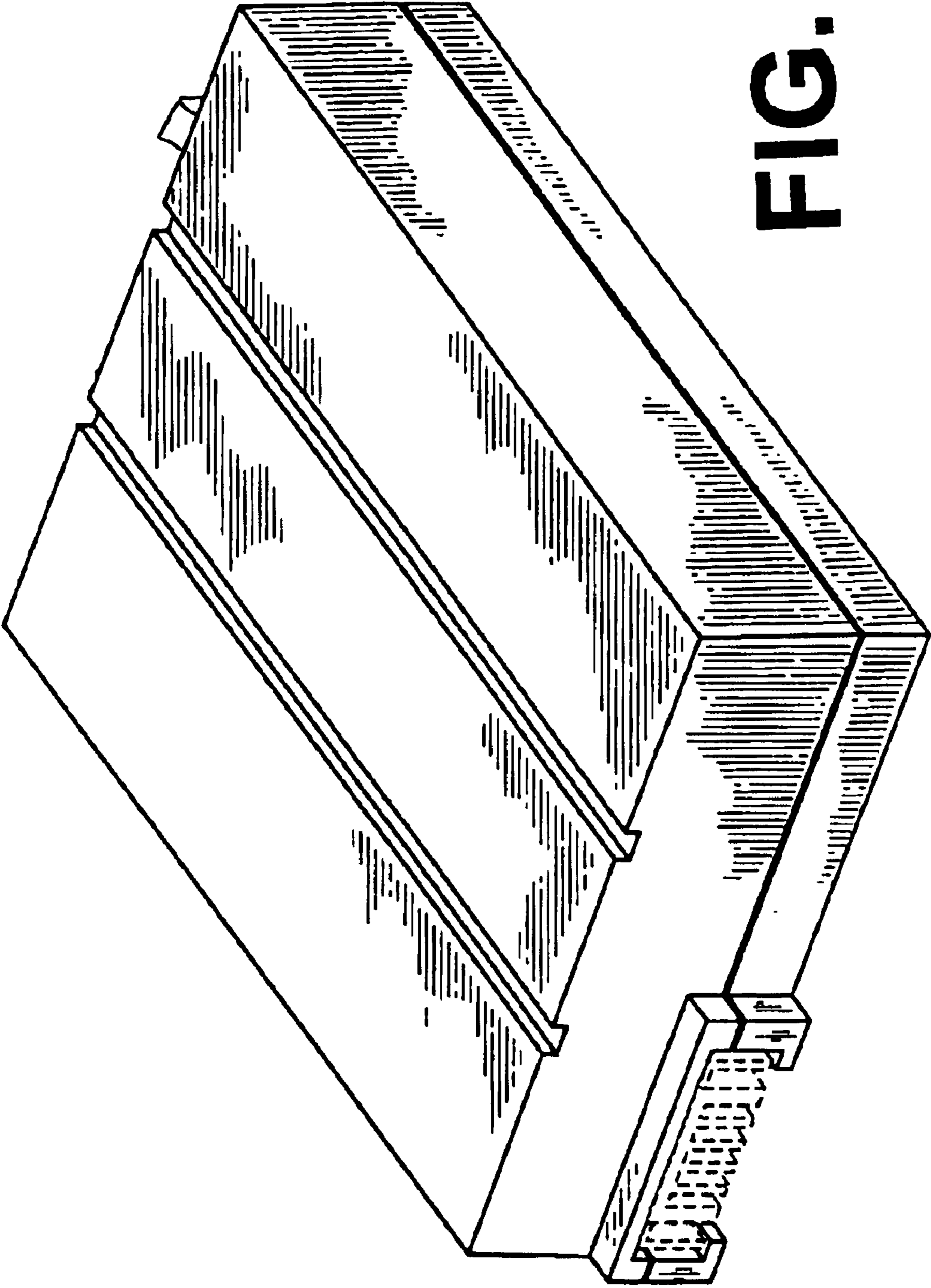


**FIG. 14**

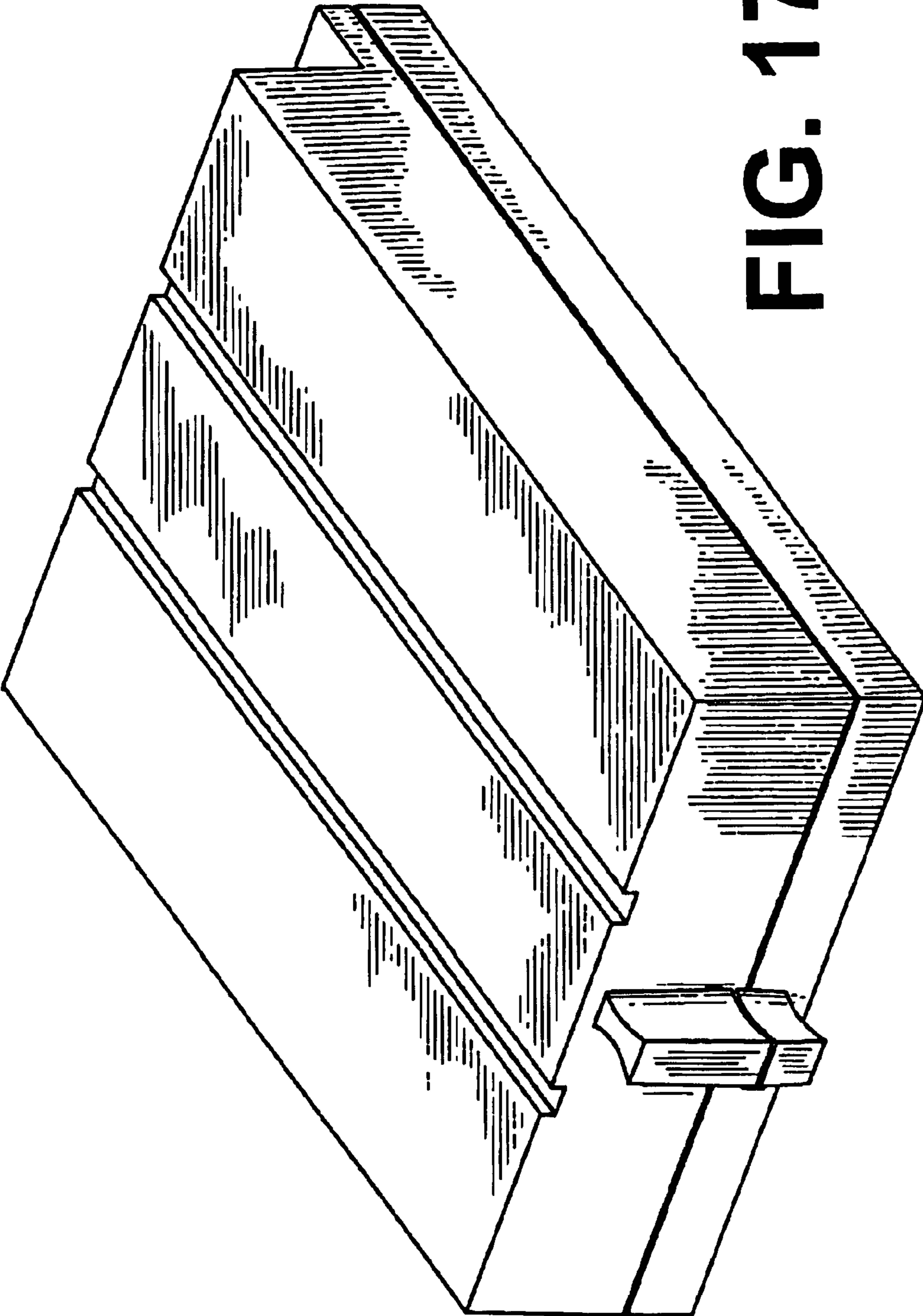




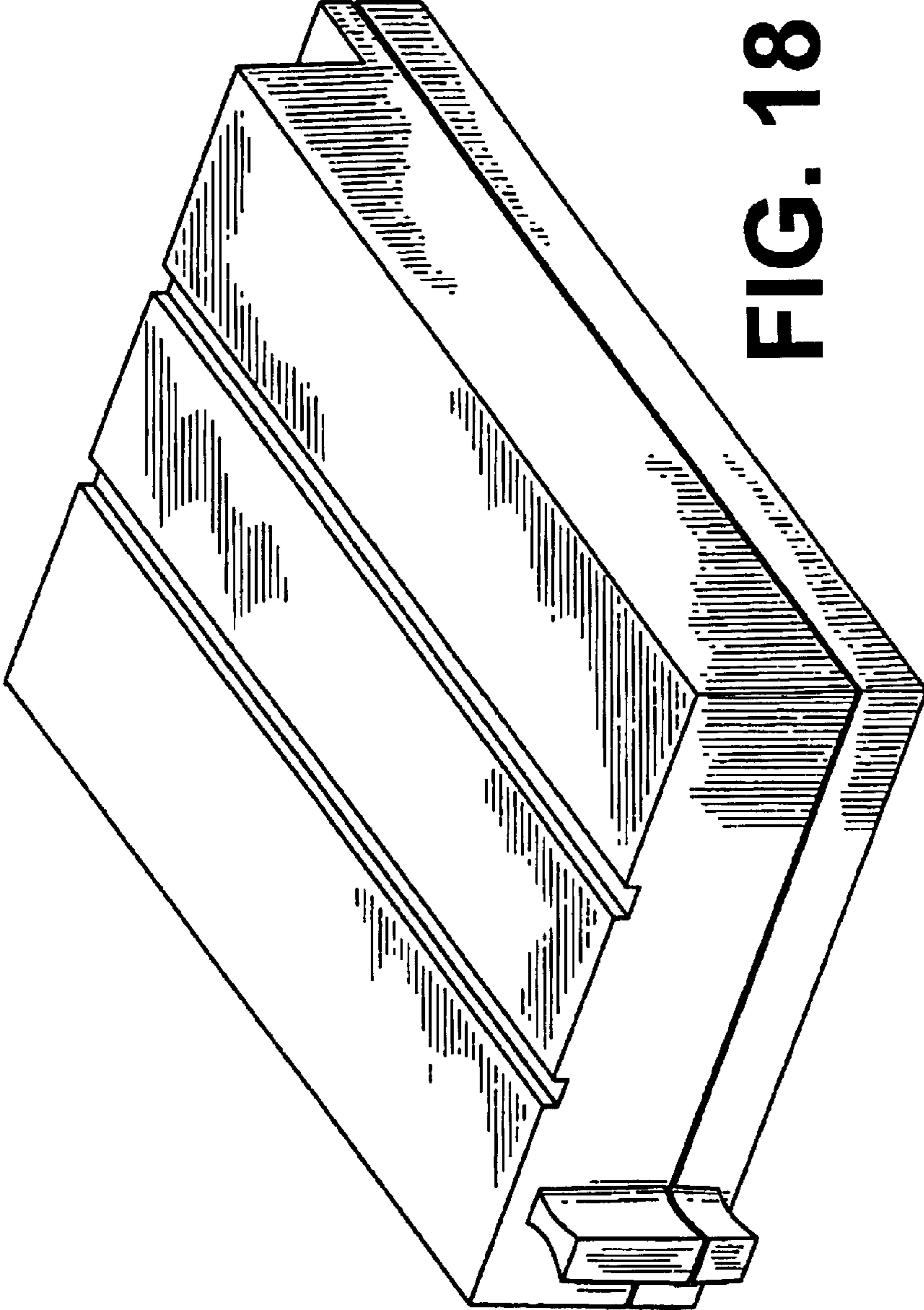
**FIG. 15**



**FIG. 16**

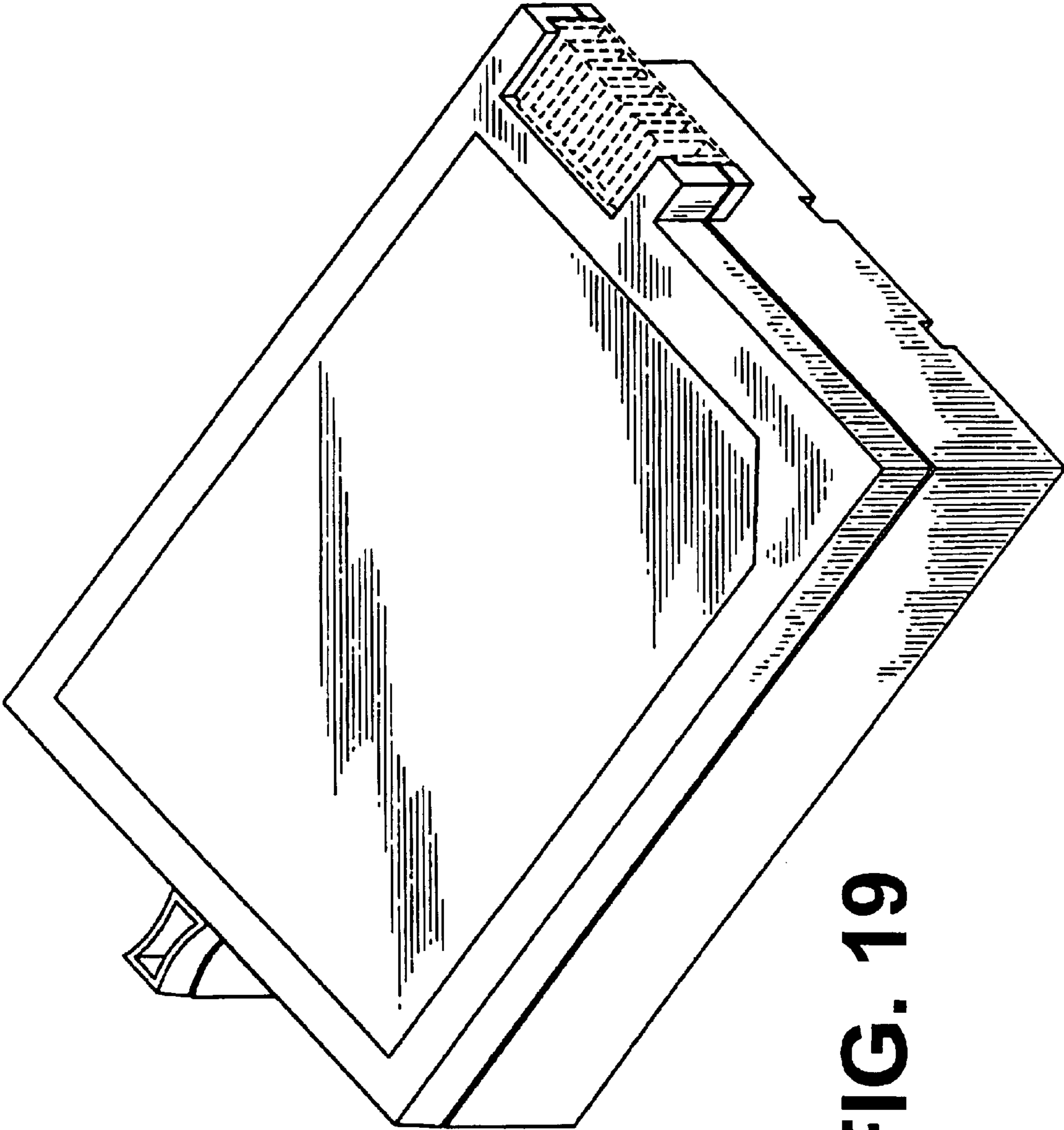


**FIG. 17**

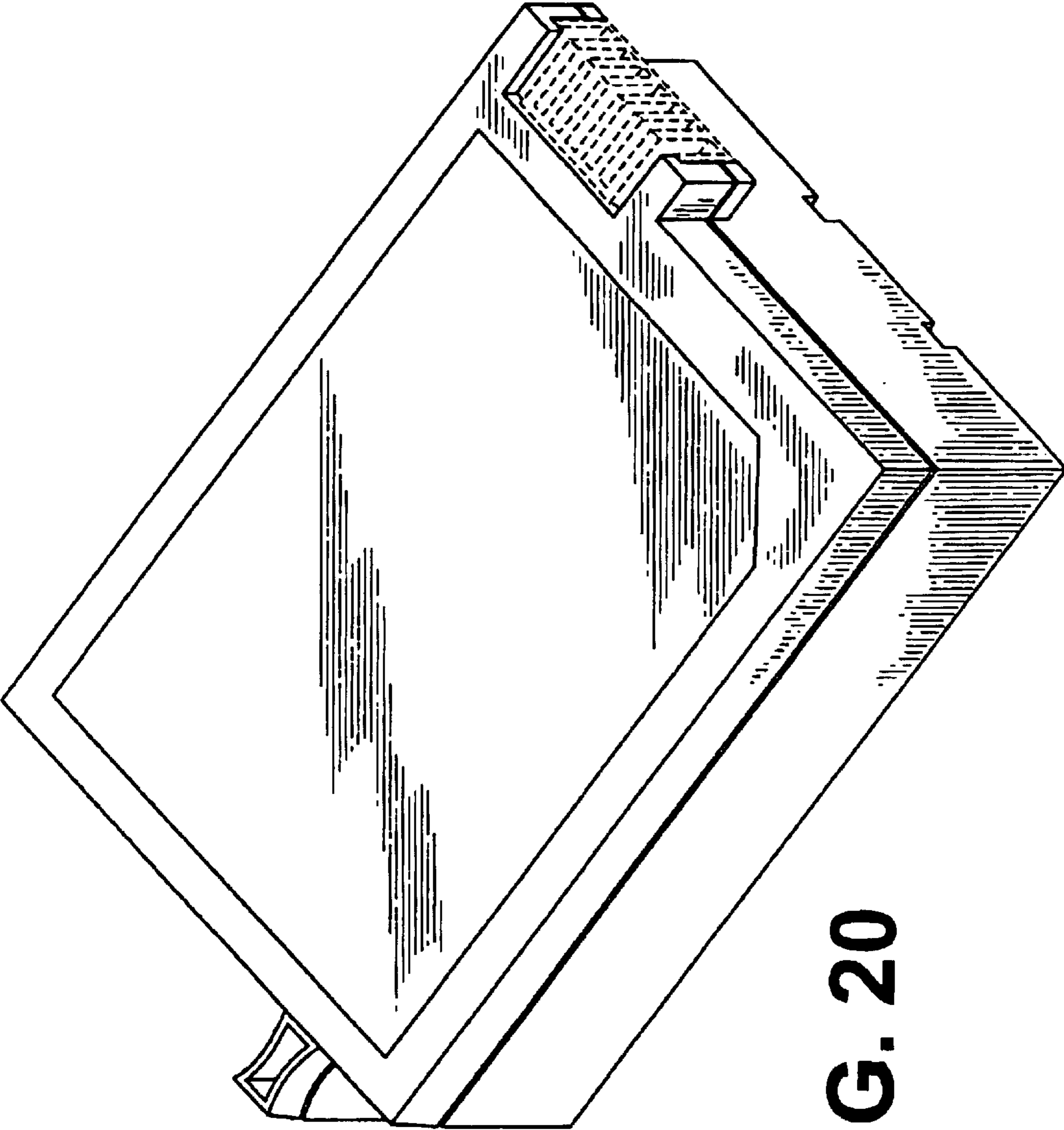


**FIG. 18**

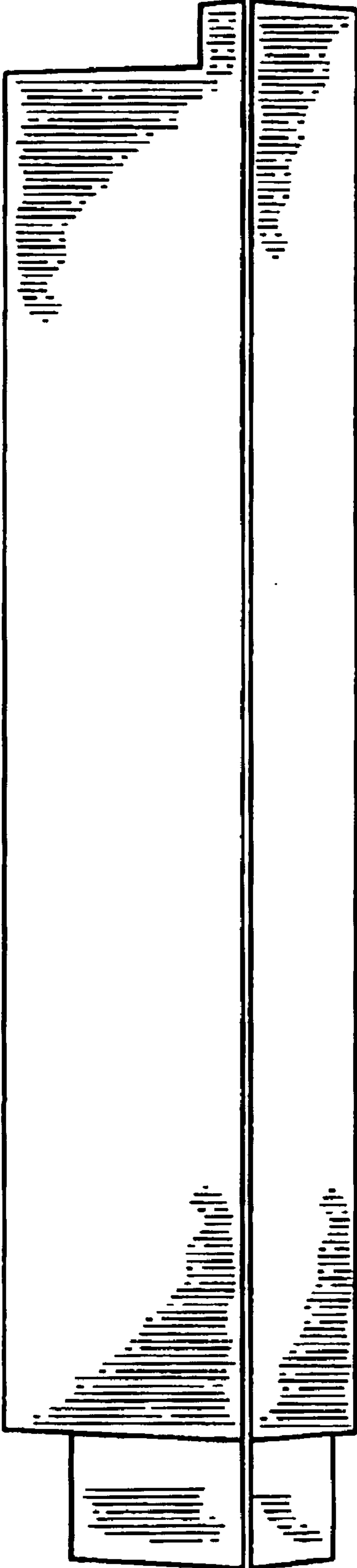




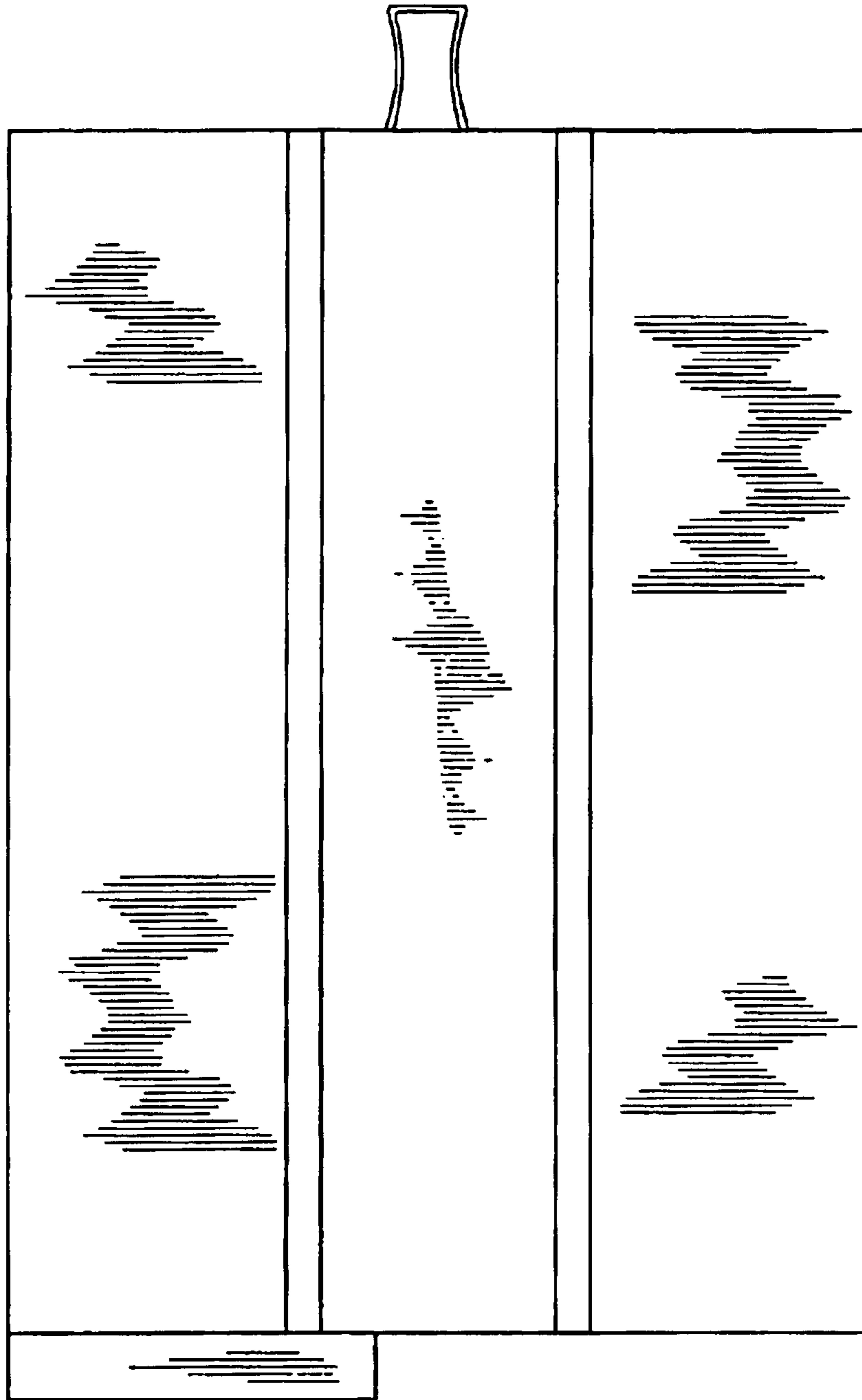
**FIG. 19**



**FIG. 20**

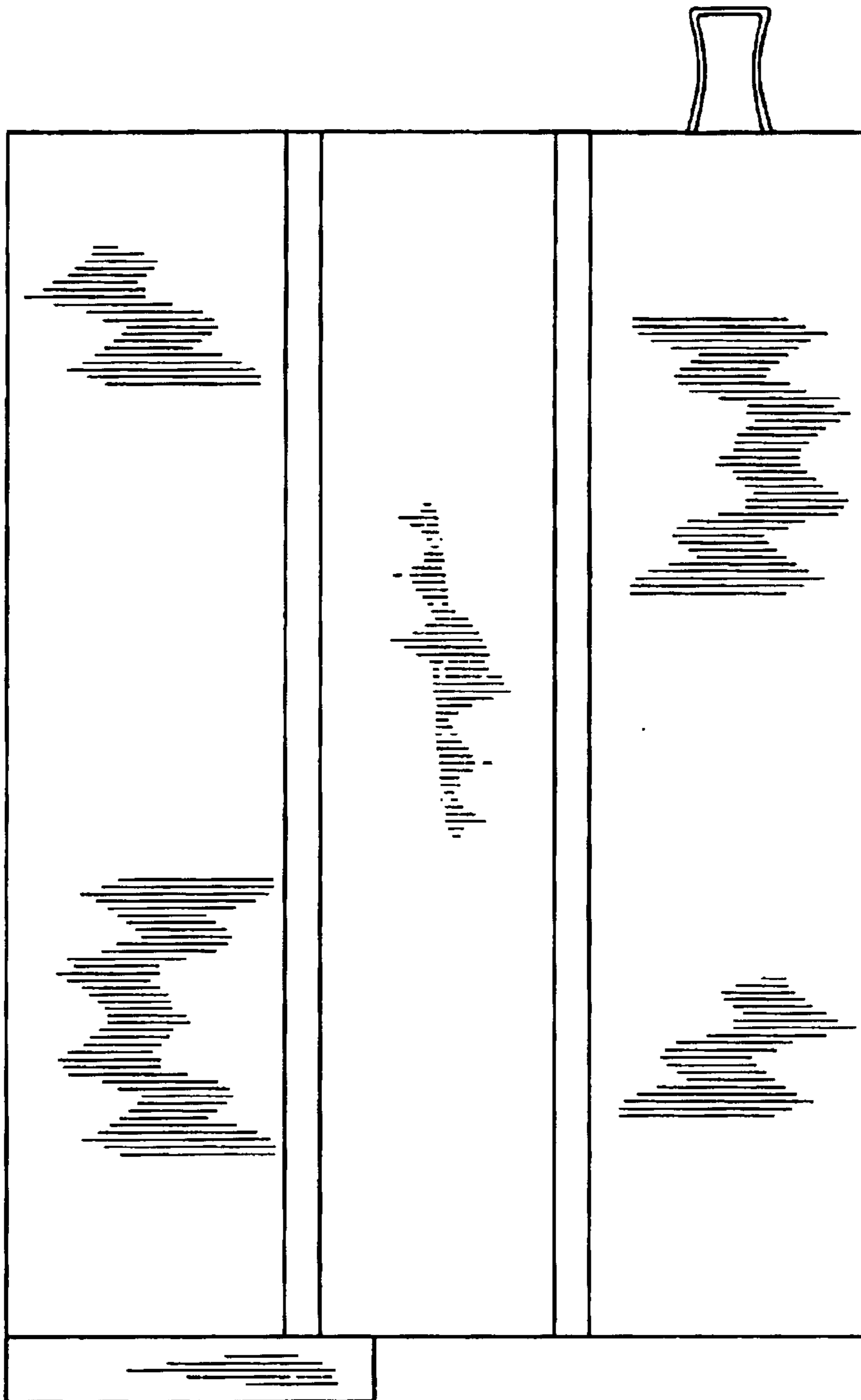


**FIG. 21**

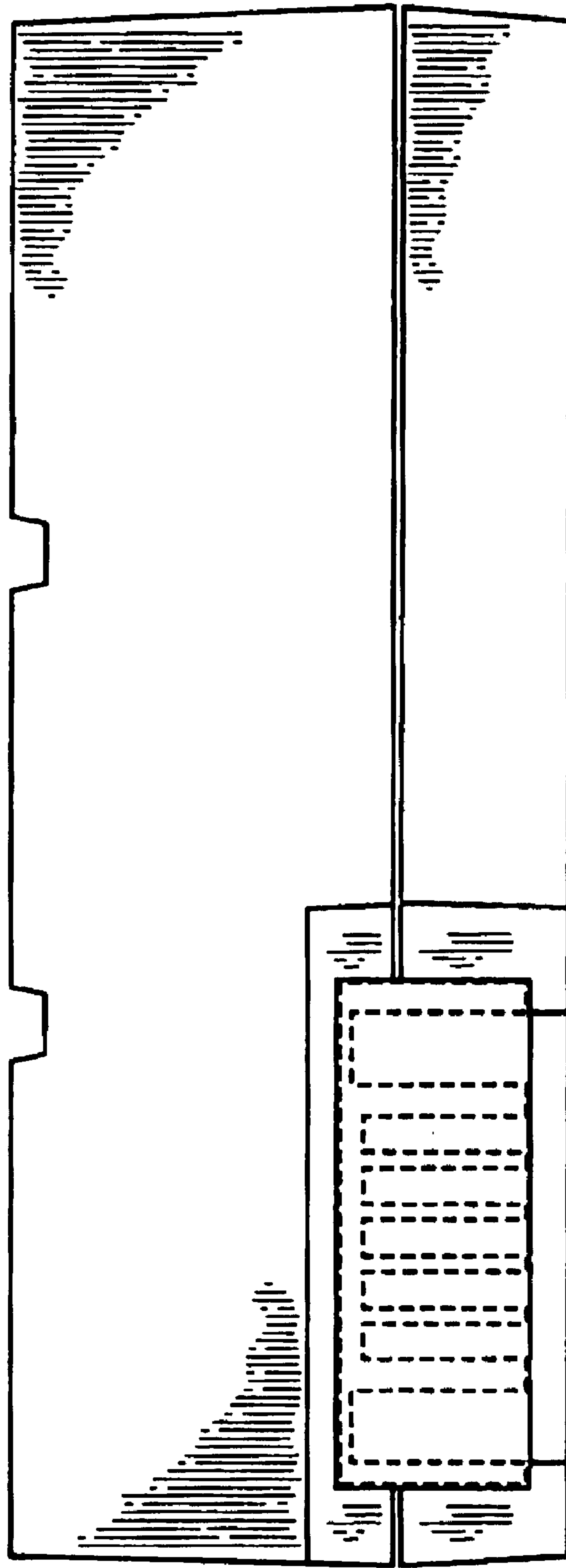


**FIG. 22**

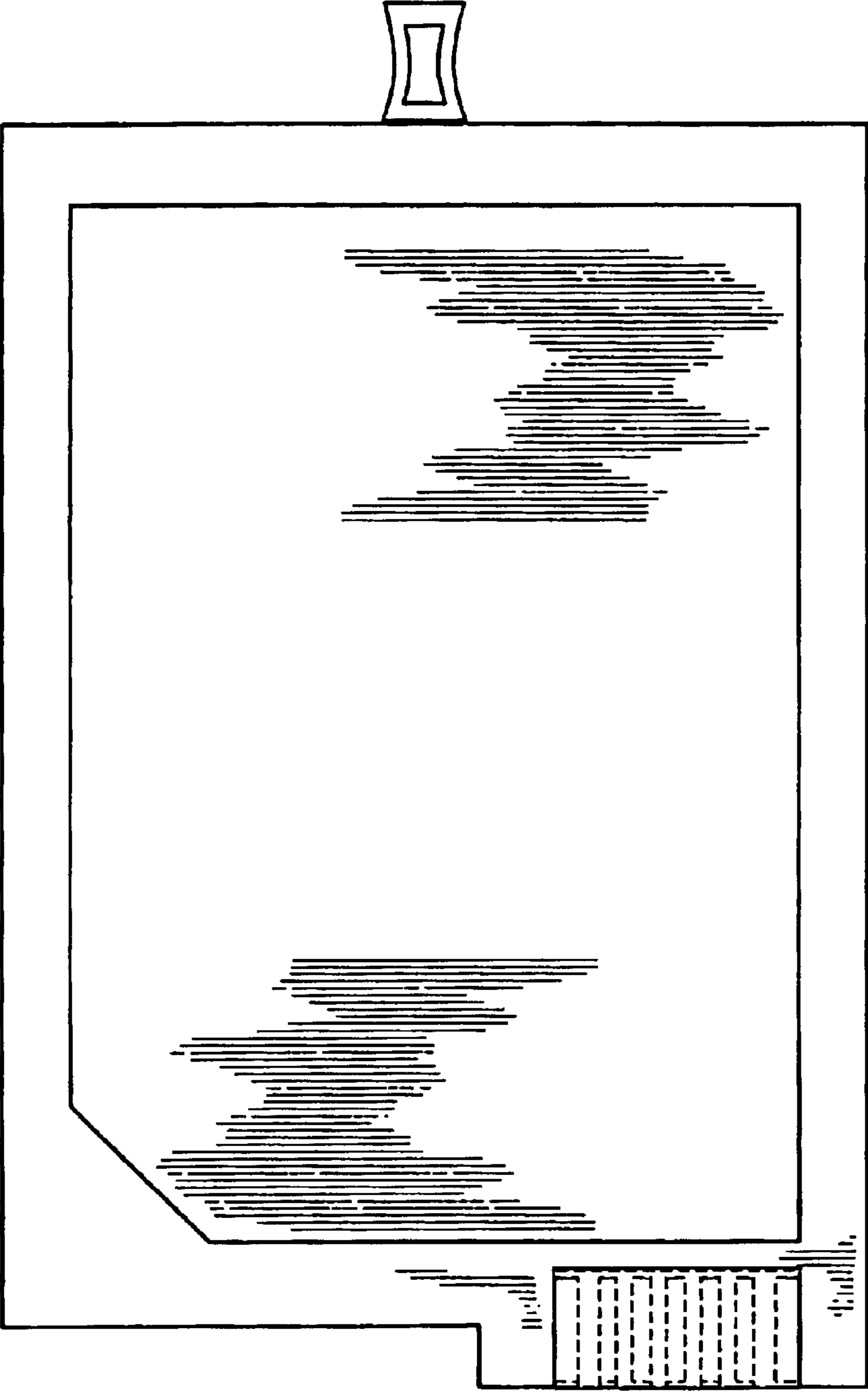




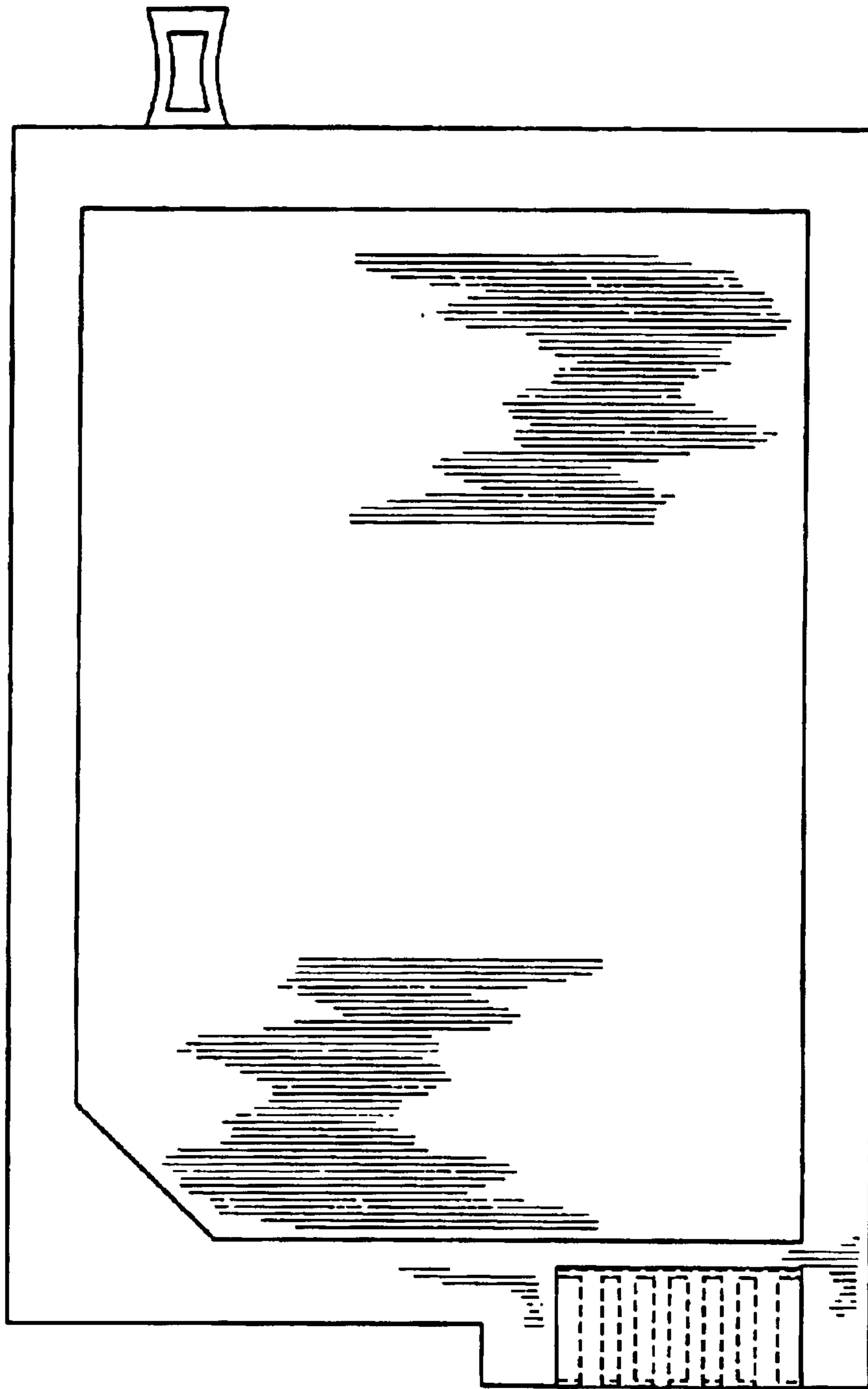
**FIG. 23**



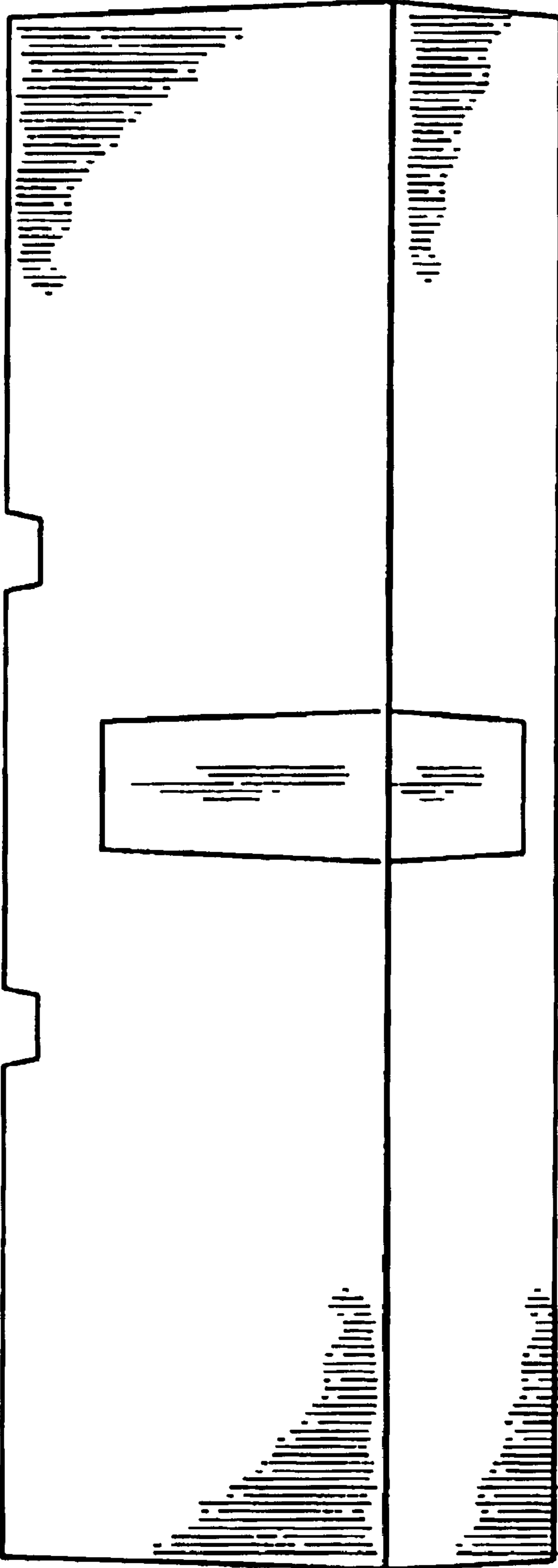
**FIG. 24**



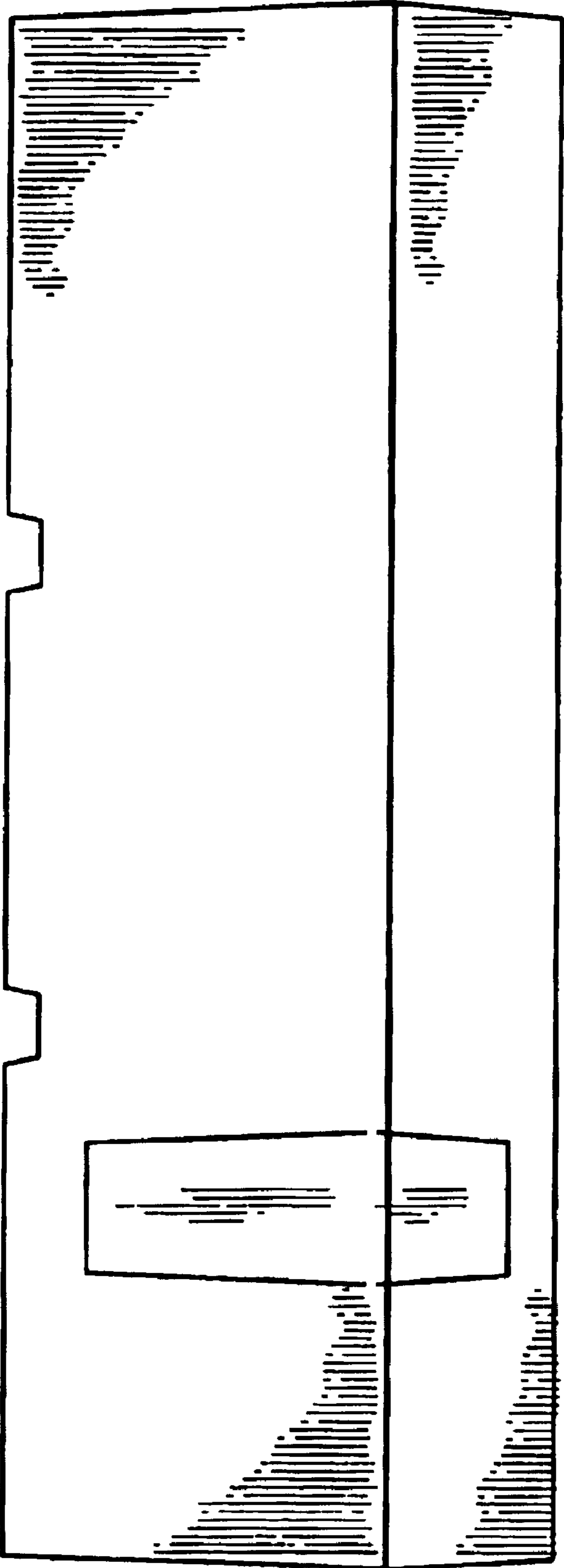
**FIG. 25**



**FIG. 26**



**FIG. 27**



**FIG. 28**