



US00D512362S

(12) **United States Design Patent**
Breesch et al.

(10) **Patent No.: US D512,362 S**

(45) **Date of Patent: ** Dec. 6, 2005**

(54) **WINDSHIELD WIPER**

(75) Inventors: **Frans Breesch**, Borgloon (BE); **Peter De Block**, Halen (BE); **Joris Grammens**, Linter (BE)

(73) Assignee: **Robert Bosch GmbH**, Stuttgart (DE)

(**) Term: **14 Years**

(21) Appl. No.: **29/114,505**

(22) Filed: **Mar. 15, 2001**

(30) **Foreign Application Priority Data**

May 28, 1999 (DE) 4 99 05 236

(51) **LOC (8) Cl. 12-06**

(52) **U.S. Cl. D12/219**

(58) **Field of Search** D12/219-220;
15/250.31-250.33, 250.351, 250.38, 250.4,
250.41, 250.201, 250.451-250.454

(56) **References Cited**

U.S. PATENT DOCUMENTS

- D430,097 S * 8/2000 Breesch et al. D12/219
- D431,223 S * 9/2000 Breesch et al. D12/219
- D431,520 S * 10/2000 Breesch et al. D12/219
- D432,072 S * 10/2000 Breesch et al. D12/219

- D443,582 S * 6/2001 De Block D12/219
- D443,854 S * 6/2001 De Block D12/219
- D457,479 S * 5/2002 De Block et al. D12/219
- D462,044 S * 8/2002 Gfatter et al. D12/219
- D494,125 S * 8/2004 Leu D12/219

* cited by examiner

Primary Examiner—Stacia Cadmus

(74) *Attorney, Agent, or Firm*—Michael J. Striker

(57) **CLAIM**

The ornamental design for a windshield wiper, as shown and described.

DESCRIPTION

FIG. 1 is a perspective view of a windshield wiper showing our new design;

FIG. 2 is a top view thereof;

FIG. 3 is a side view thereof;

FIG. 4 is a bottom view thereof;

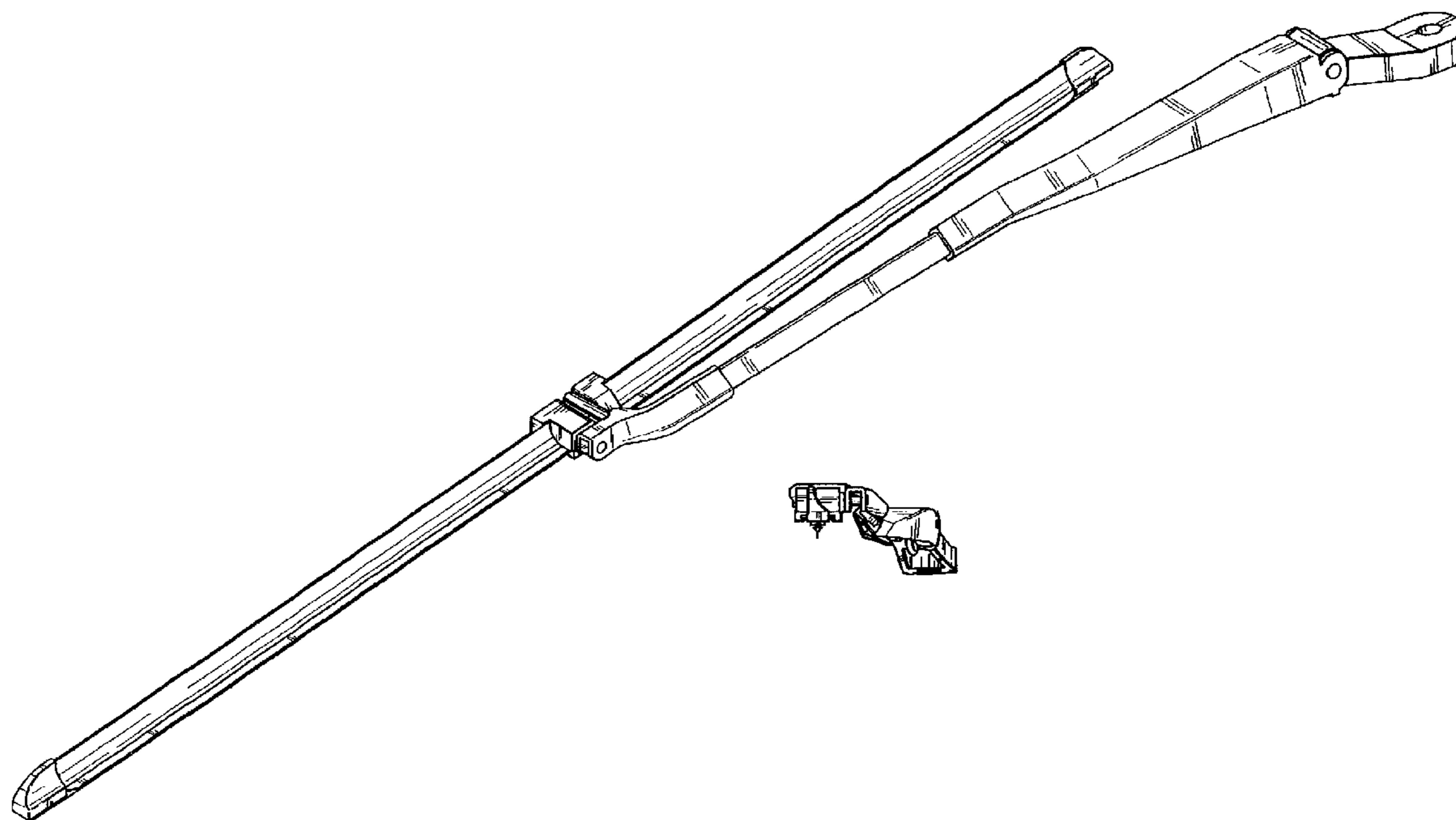
FIG. 5 is a side view of the opposite side of FIG. 3;

FIG. 6 is an end view thereof;

FIG. 7 is the opposite end thereof; and,

FIG. 8 is a perspective view showing the blade in a curved position.

1 Claim, 3 Drawing Sheets



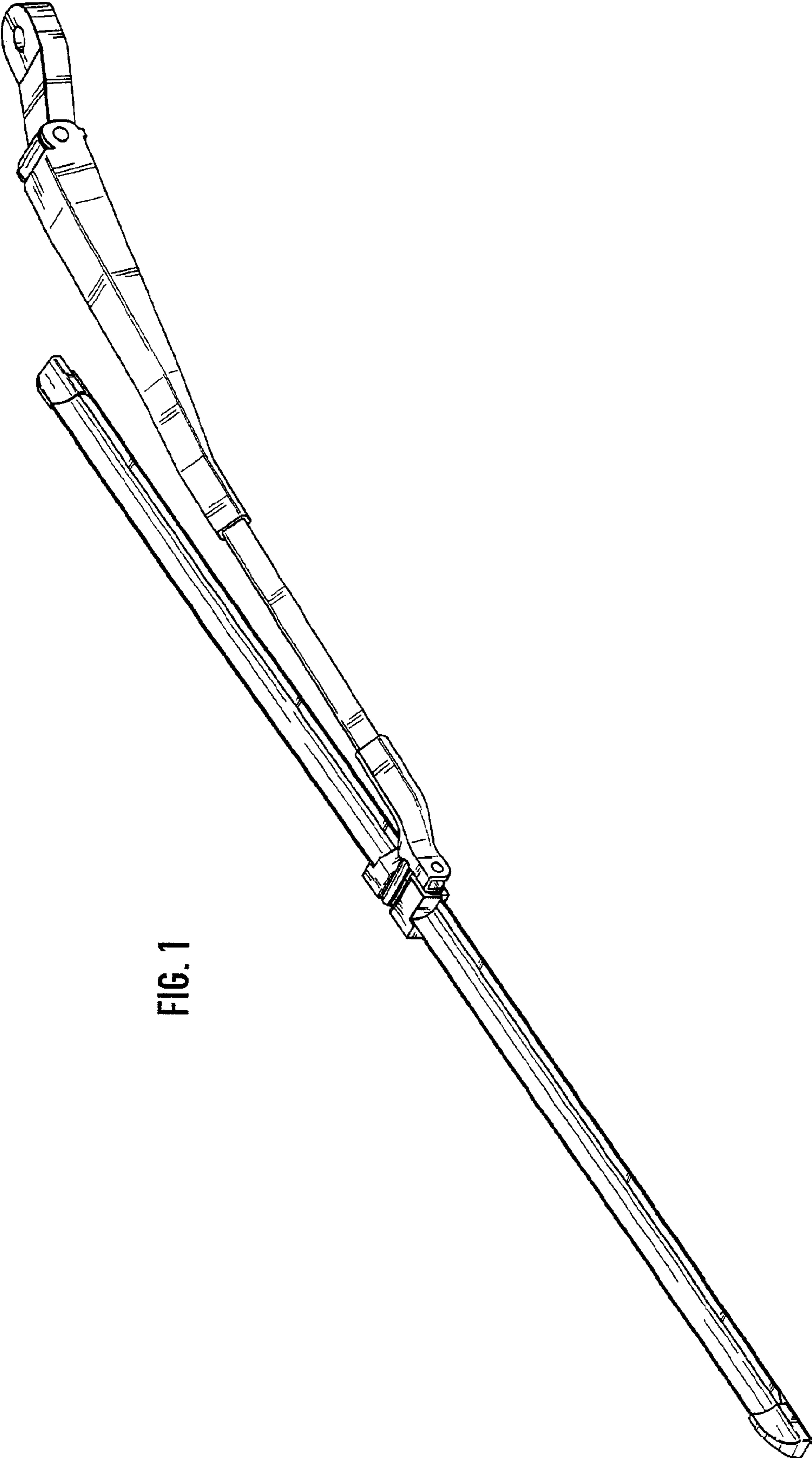


FIG. 1

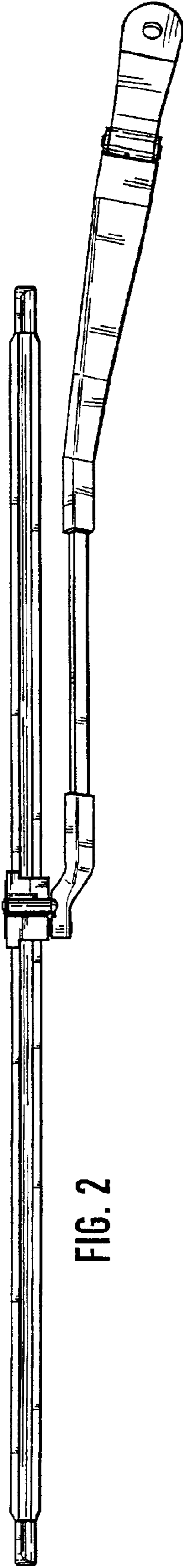


FIG. 2

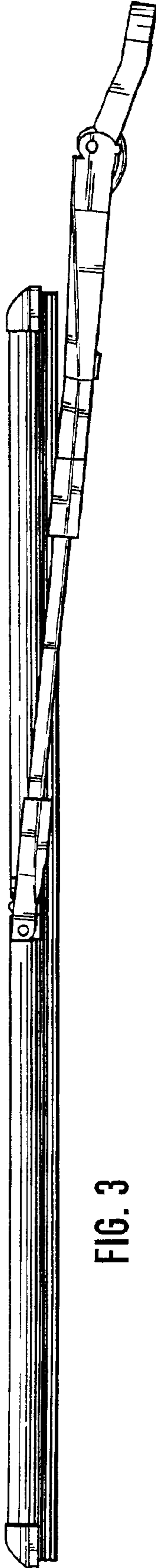


FIG. 3

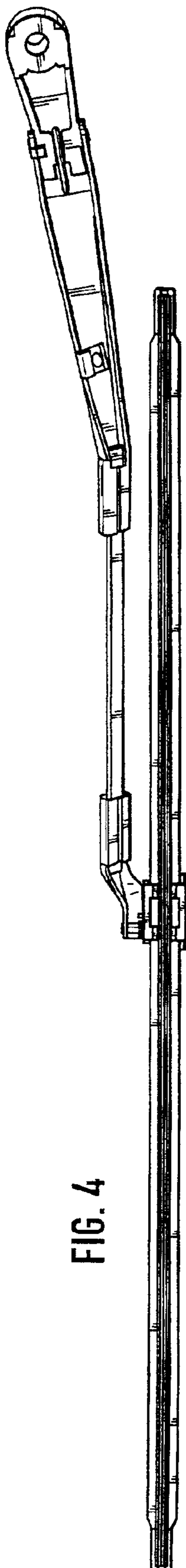


FIG. 4

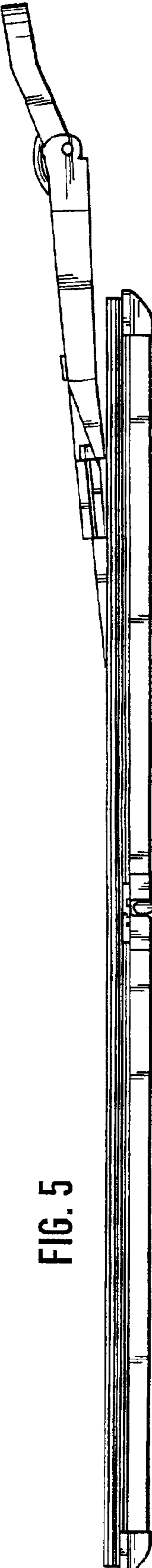


FIG. 5

FIG. 7

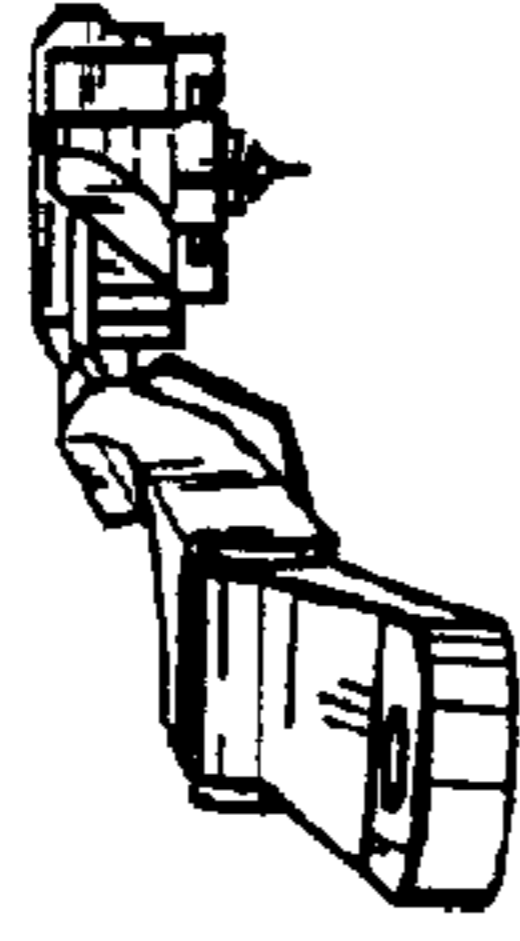


FIG. 6

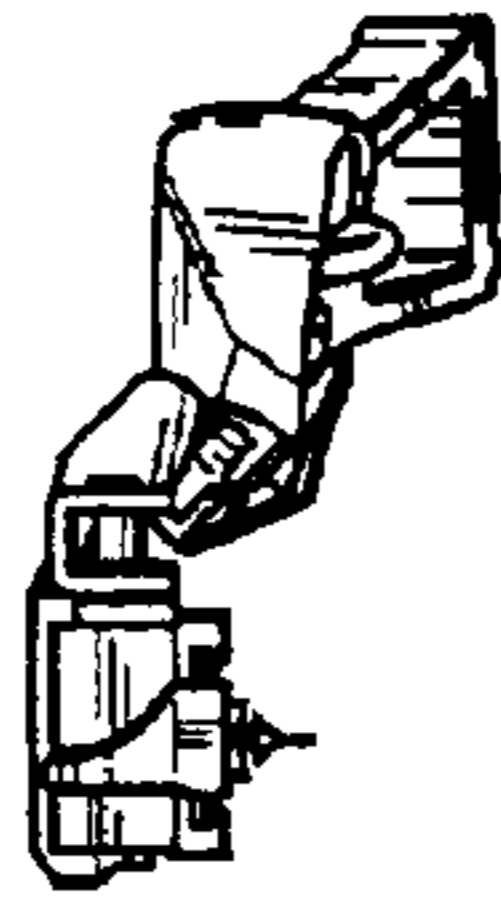


FIG. 8

