



US00D512361S

(12) **United States Design Patent**
Cornell

(10) **Patent No.:** **US D512,361 S**

(45) **Date of Patent:** **** Dec. 6, 2005**

(54) **OUTER FACE OF A VEHICLE WHEEL**

D487,419 S * 3/2004 Kim D12/211
D493,133 S * 7/2004 Bernoni D12/211

(76) Inventor: **Mark Cornell**, 4750 Clover Ranch La.,
Loomis, CA (US) 95650

* cited by examiner

(**) Term: **14 Years**

Primary Examiner—Stacia Cadmus

(74) *Attorney, Agent, or Firm*—Katten Muchin Zavis
Rosenman; Michael A. Dorfman

(21) Appl. No.: **29/211,490**

(22) Filed: **Aug. 17, 2004**

(57) **CLAIM**

(51) **LOC (8) Cl.** **12-16**

I claim the ornamental design for an outer face of a vehicle wheel, as shown and described.

(52) **U.S. Cl.** **D12/211**

(58) **Field of Search** D12/204–213;
301/37.101, 64.101, 65

DESCRIPTION

(56) **References Cited**

U.S. PATENT DOCUMENTS

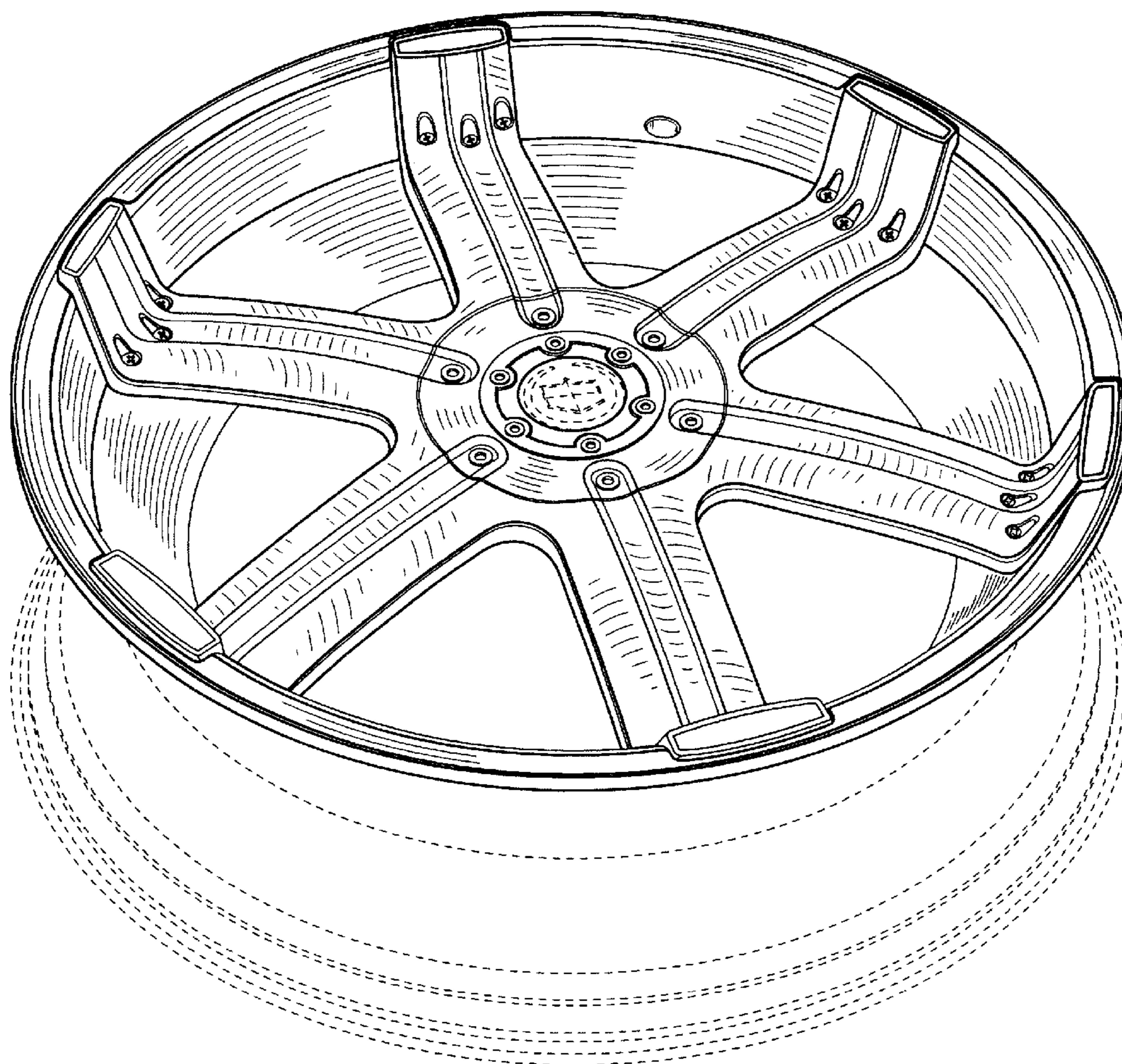
D208,542 S	*	9/1967	Halibrand	D12/211
D438,504 S	*	3/2001	Muzzarelli	D12/211
D446,493 S	*	8/2001	Sulahian et al.	D12/211
D459,692 S	*	7/2002	Vian	D12/211
D465,184 S	*	11/2002	Chung	D12/211
D470,449 S	*	2/2003	Bernoni	D12/211
D473,837 S	*	4/2003	Vian	D12/211

FIG. 1 is a front view of an outer face of a vehicle wheel; FIG. 2 is a perspective view of the outer face of the vehicle wheel shown in FIG. 1; and, FIG. 3 is a perspective view of the outer face of the vehicle wheel shown in FIG. 1.

Where included, broken lines showing environment or structure are for illustrative purposes only and form no part of the claimed design.

FIG. 3 is shown on a reduced scale as compared to FIG. 1.

1 Claim, 3 Drawing Sheets



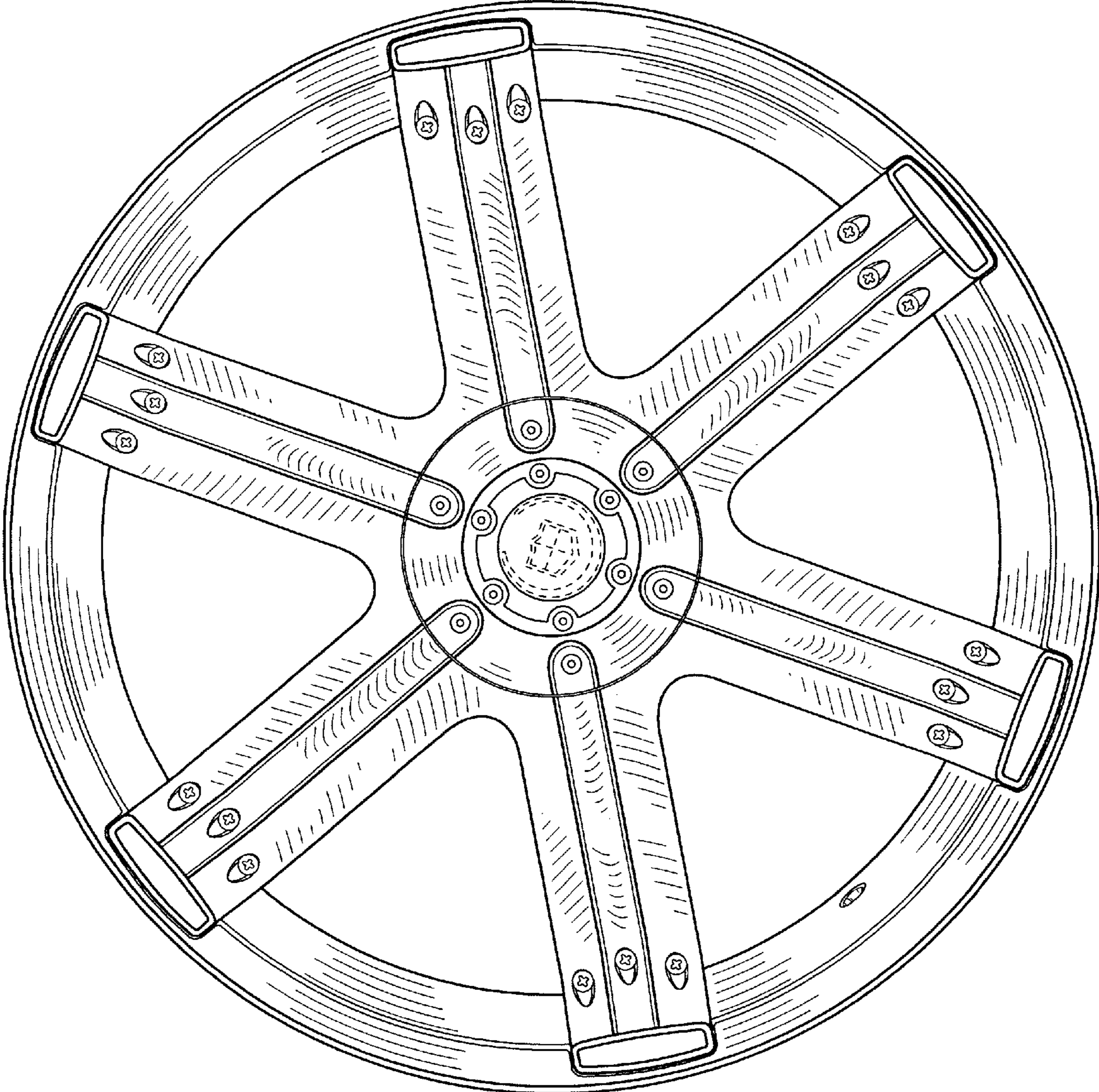


FIG. 1

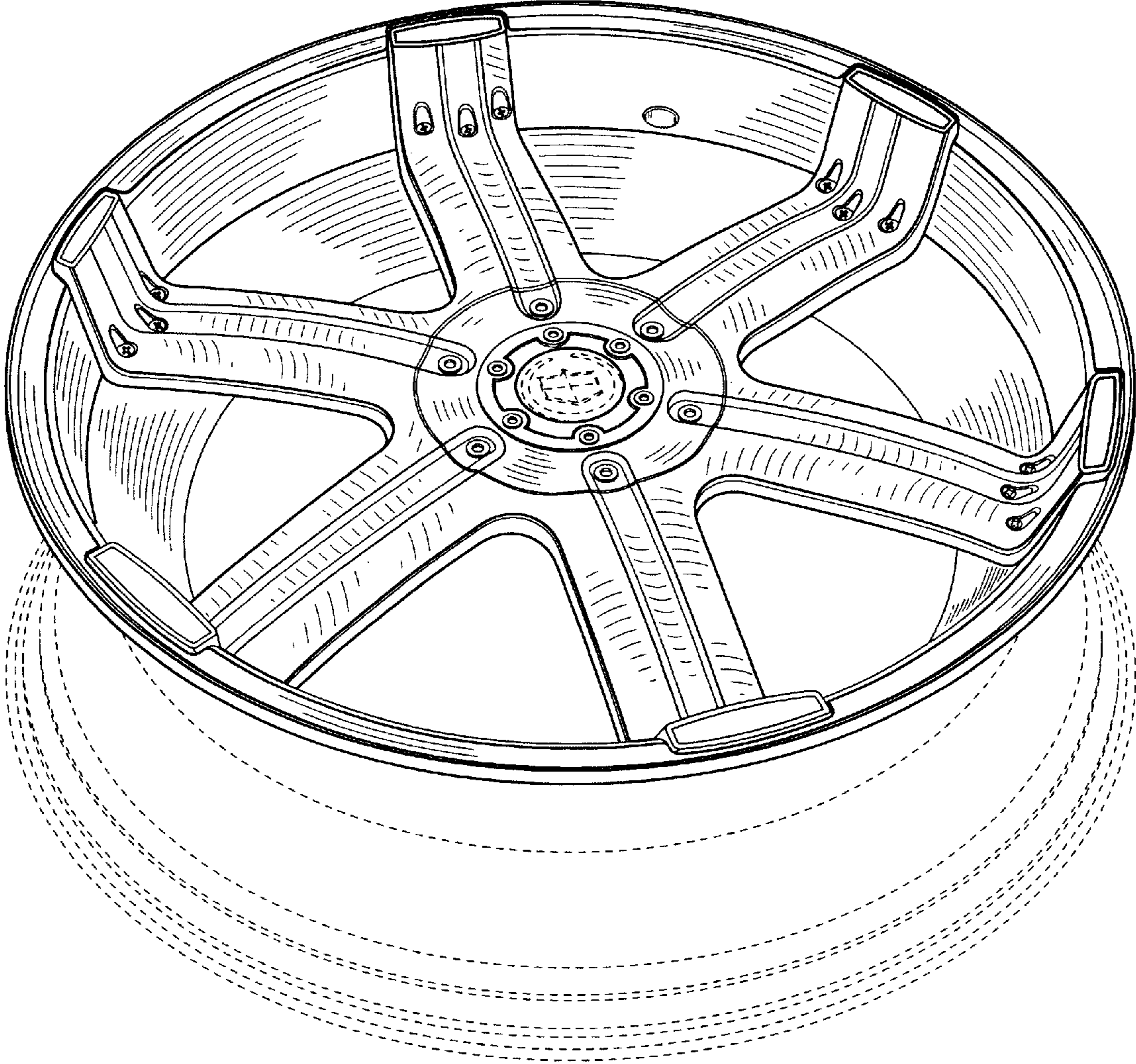


FIG. 2

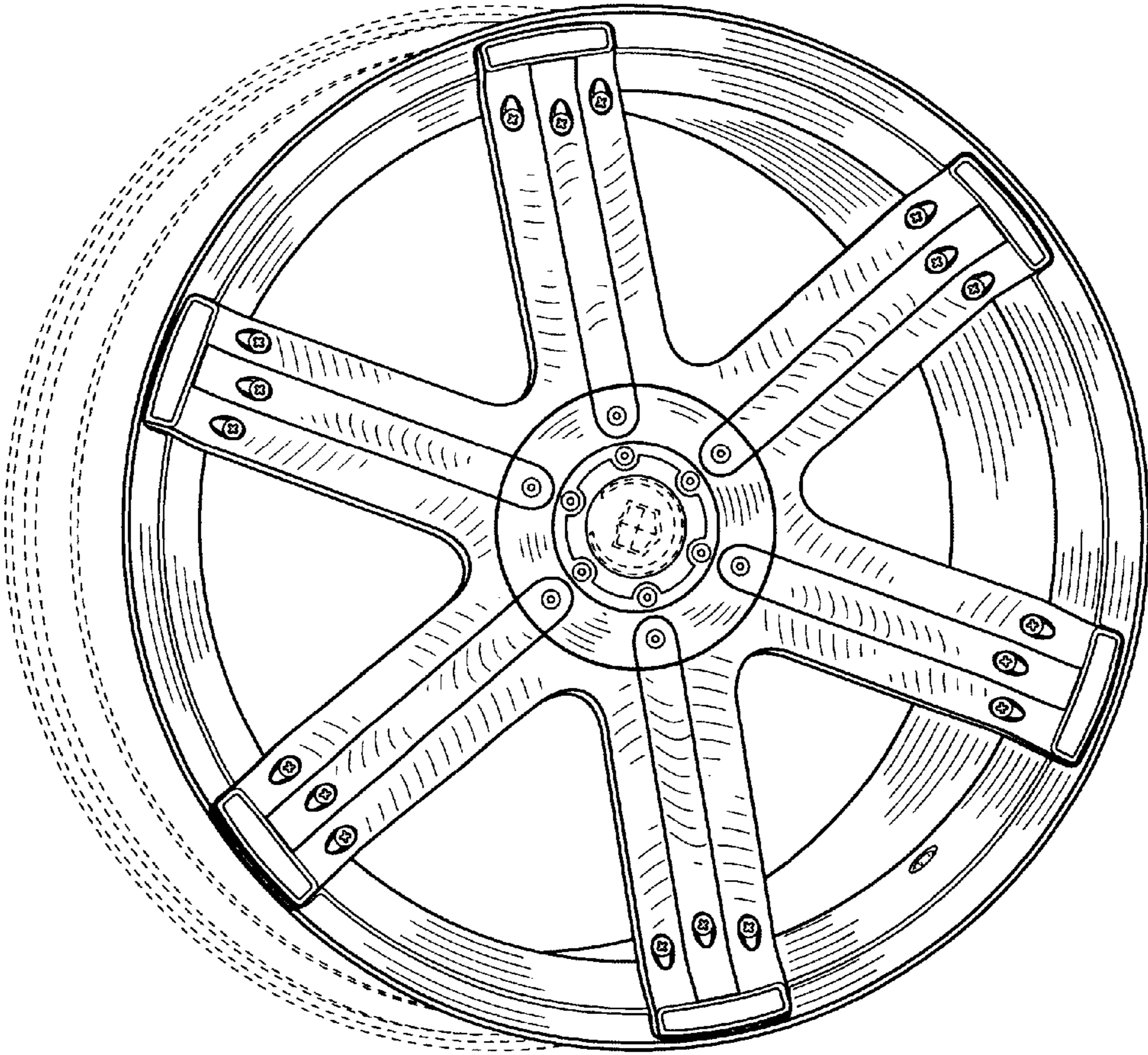


FIG. 3