



US00D512359S

(12) **United States Design Patent**  
**Ettensberger**

(10) **Patent No.: US D512,359 S**  
(45) **Date of Patent: \*\* Dec. 6, 2005**

- (54) **FRONT FACE OF A VEHICLE WHEEL**
- (76) Inventor: **Claus Ettensberger**, 16200 S. Figueroa St., Gardena, CA (US) 90248
- (\*\*) Term: **14 Years**
- (21) Appl. No.: **29/220,322**
- (22) Filed: **Dec. 30, 2004**
- (51) **LOC (8) Cl. .... 12-16**
- (52) **U.S. Cl. .... D12/209**
- (58) **Field of Search .... D12/204-213;**  
301/37.101, 64.101, 65

D492,239 S	6/2004	Brintouch et al. ....	D12/211
D493,403 S	* 7/2004	Kataoka .....	D12/209
D494,121 S	8/2004	Sulahian .....	D12/209
D495,649 S	9/2004	Schell et al. ....	D12/209
D496,622 S	* 9/2004	Cheng .....	D12/209
D497,867 S	* 11/2004	Walbey, Jr. ....	D12/209
D499,061 S	11/2004	Echazabal .....	D12/209
D499,369 S	12/2004	Pfeiffer .....	D12/209
D500,002 S	* 12/2004	Kushartanto .....	D12/209
D500,469 S	* 1/2005	Brintouch et al. ....	D12/209
D500,723 S	* 1/2005	Alimchandani .....	D12/209
D501,173 S	* 1/2005	Walbey, Jr. ....	D12/209

\* cited by examiner

*Primary Examiner*—Stacia Cadmus  
(74) *Attorney, Agent, or Firm*—Liniak, Berenato & White

(56) **References Cited**

**U.S. PATENT DOCUMENTS**

D433,374 S	* 11/2000	Wang .....	D12/209
D438,161 S	2/2001	Ong .....	D12/209
D451,462 S	12/2001	Donikoglu .....	D12/209
D464,308 S	10/2002	Chung .....	D12/209
D472,864 S	* 4/2003	Kataoka .....	D12/209
D474,439 S	5/2003	McMath .....	D12/209
D477,262 S	* 7/2003	Koch .....	D12/209
D478,305 S	8/2003	Kern .....	D12/209
D478,541 S	8/2003	Sulahian .....	D12/209
D484,085 S	12/2003	Tirado .....	D12/211
D491,865 S	6/2004	Warming .....	D12/209

(57) **CLAIM**

The ornamental design for a front face of a vehicle wheel, as shown and described.

**DESCRIPTION**

FIG. 1 is a top and left side perspective view of a front face of a vehicle wheel, showing my new design; and, FIG. 2 is a front view thereof. The broken line showing of environment is for illustrative purposes only and forms no part of the claimed design.

**1 Claim, 2 Drawing Sheets**

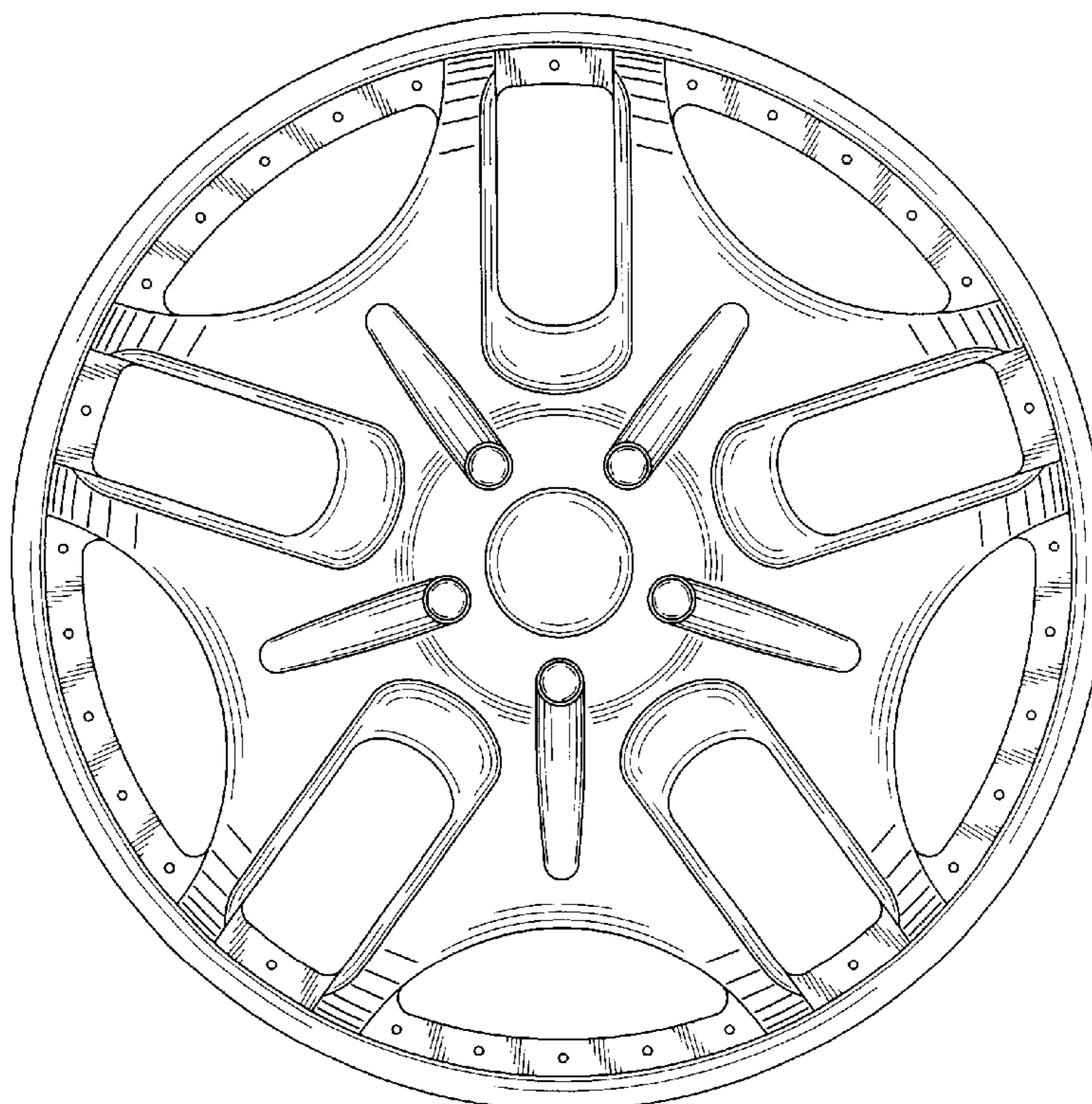


Fig. 1

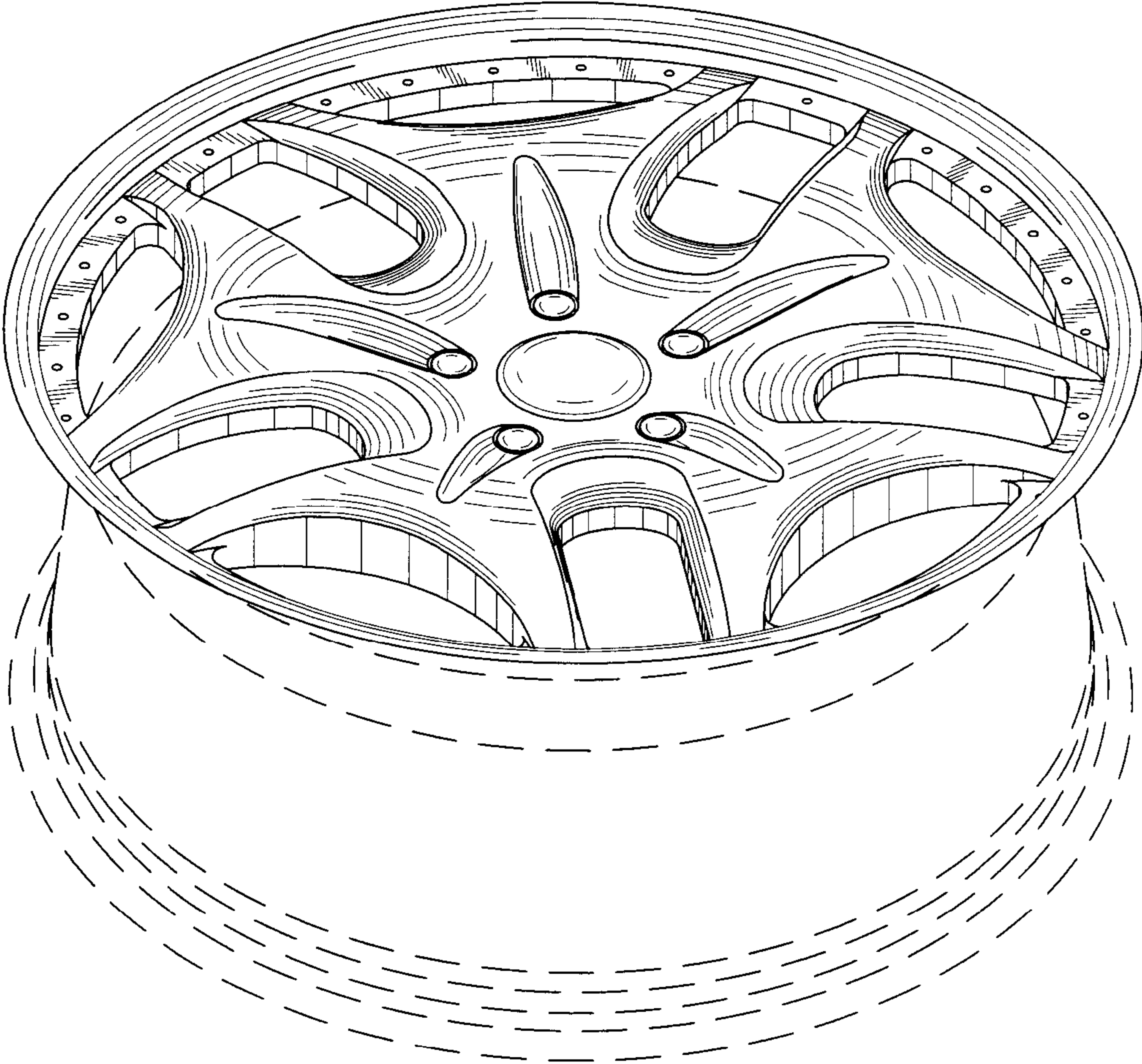




Fig. 2

