

US00D512349S

(12) **United States Design Patent**
Stubblefield

(10) **Patent No.: US D512,349 S**

(45) **Date of Patent: ** Dec. 6, 2005**

(54) **TRAILER HITCH FOR ATTACHING A TOWING ROPE**

(76) **Inventor: James A. Stubblefield**, 149 Brosi Orchard Rd., Winston, OR (US) 97496

(**) **Term: 14 Years**

(21) **Appl. No.: 29/221,664**

(22) **Filed: Jan. 18, 2005**

(51) **LOC (8) Cl. 12-16**

(52) **U.S. Cl. D12/162**

(58) **Field of Search** D12/162, 400; 280/416.1-416.3, 461.1, 456.1, 504, 507, 483-486, 515, 510-513, 493-495, 477

(56) **References Cited**

U.S. PATENT DOCUMENTS

D356,764 S	*	3/1995	Thixton et al.	D12/162
D379,608 S	*	6/1997	Rodriguez	D12/162
D415,725 S	*	10/1999	Wyant	D12/162
D444,746 S	*	7/2001	Wherley	D12/162

D445,738 S	*	7/2001	Lindenman et al.	D12/162
D463,333 S	*	9/2002	McCoy et al.	D12/162
D464,295 S	*	10/2002	Bonzer	D12/162
D466,452 S	*	12/2002	Nees	D12/162
D466,844 S	*	12/2002	Billings	D12/162

* cited by examiner

Primary Examiner—Stacia Cadmus

(74) *Attorney, Agent, or Firm*—Robert E. Howard

(57) **CLAIM**

The ornamental design for a trailer hitch for attaching a towing rope, as shown and described.

DESCRIPTION

FIG. 1 is a right rear perspective view of the trailer hitch for attaching a towing rope of the present invention; FIG. 2 is a top plan view thereof; FIG. 3 is a right side elevational view thereof, the left side elevational view being a mirror image thereof; FIG. 4 is a bottom plan view thereof; and, FIG. 5 is a front elevational view thereof.

1 Claim, 2 Drawing Sheets

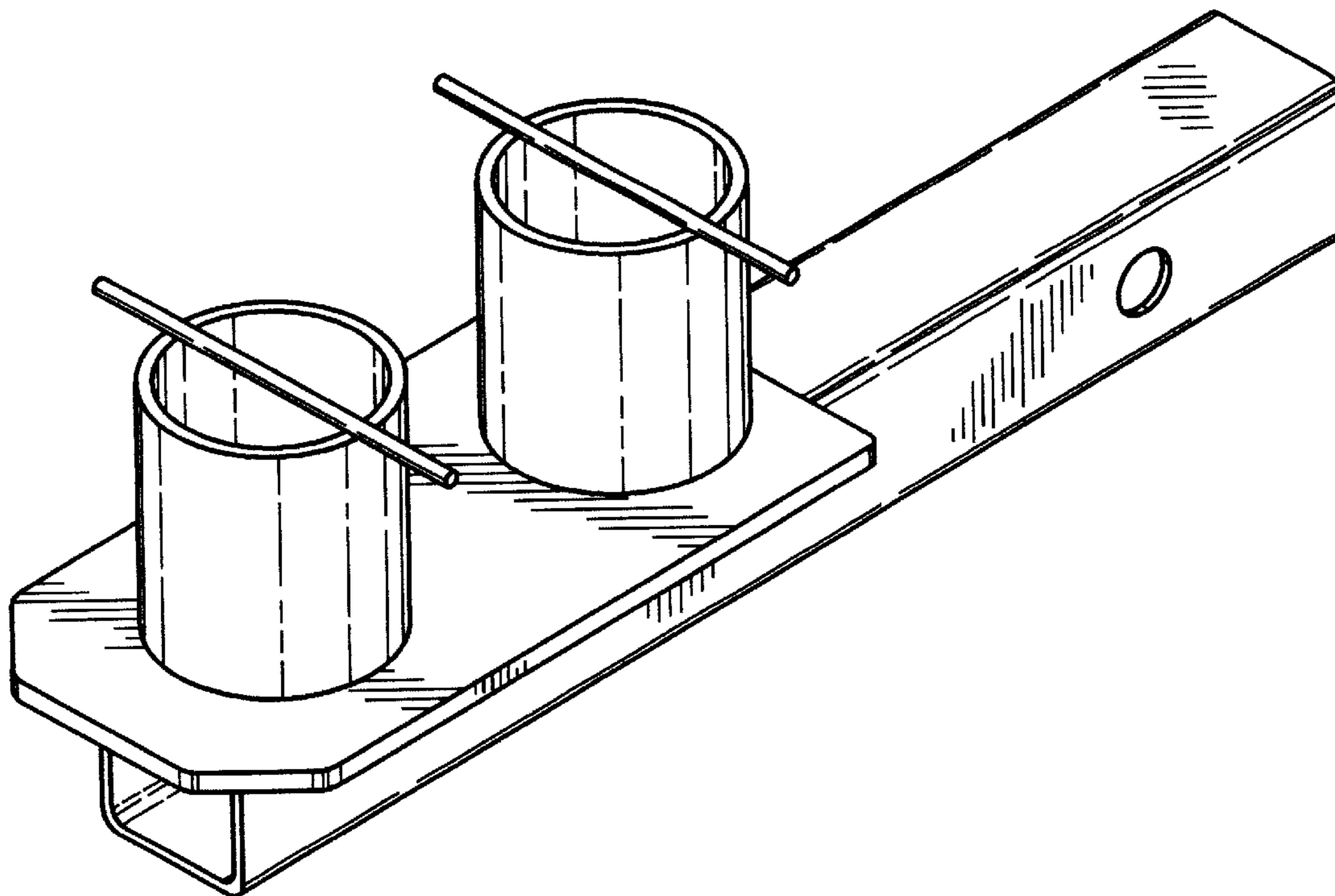


Fig. 1

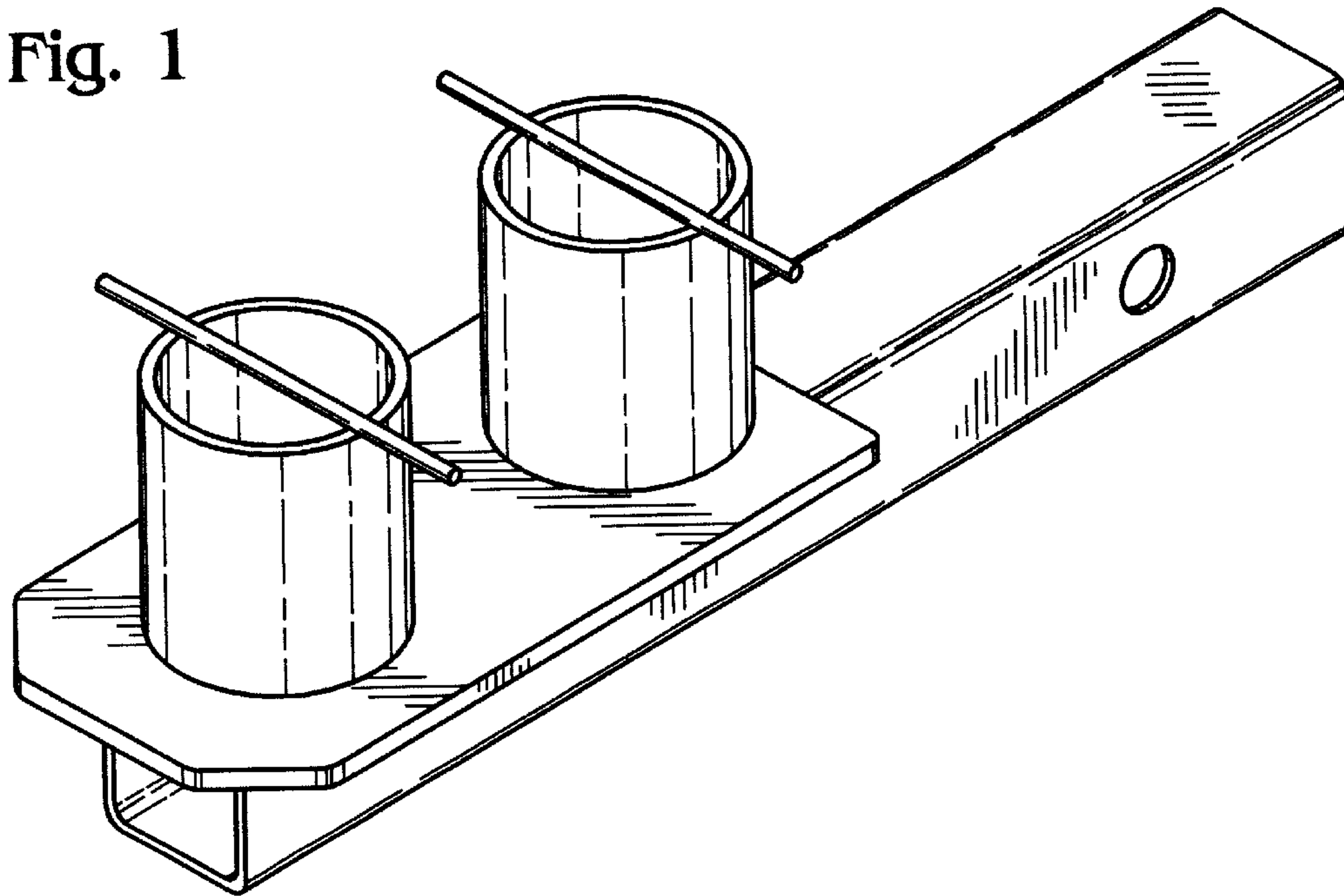


Fig. 2

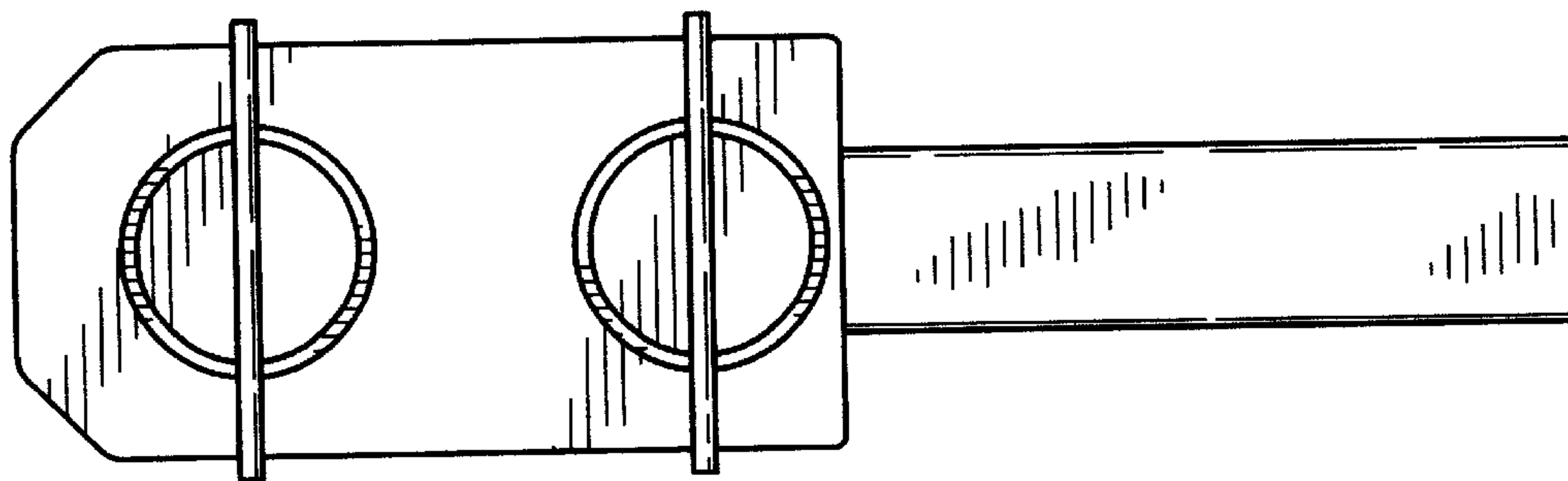


Fig. 3

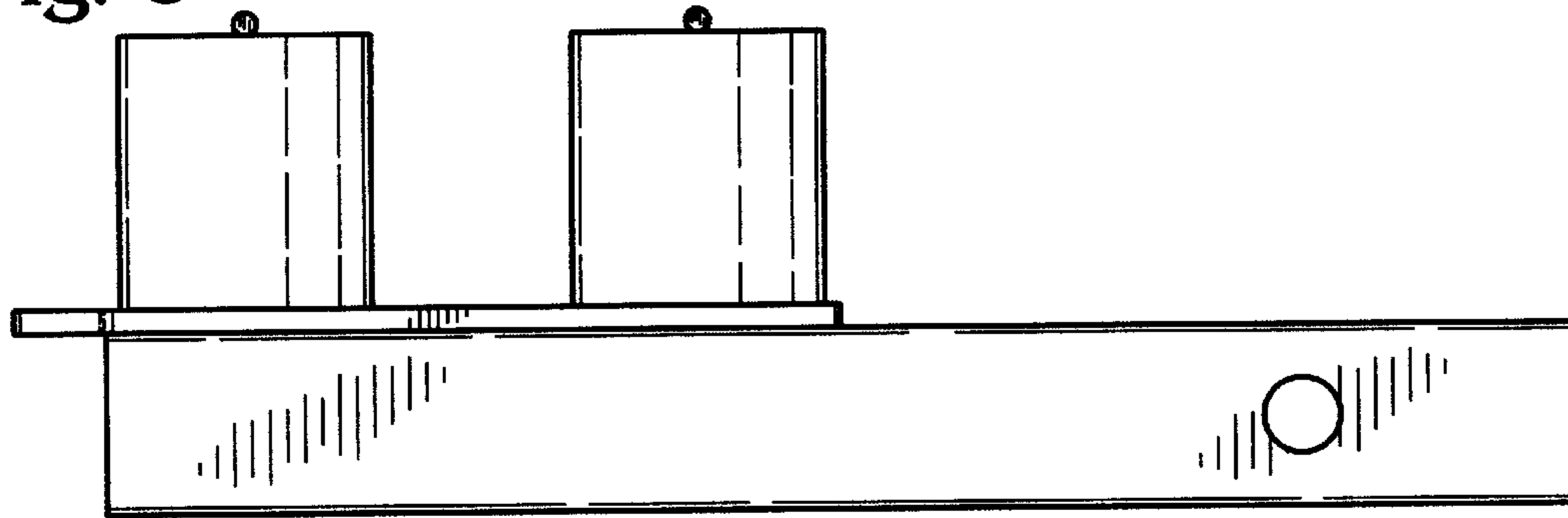


Fig. 4

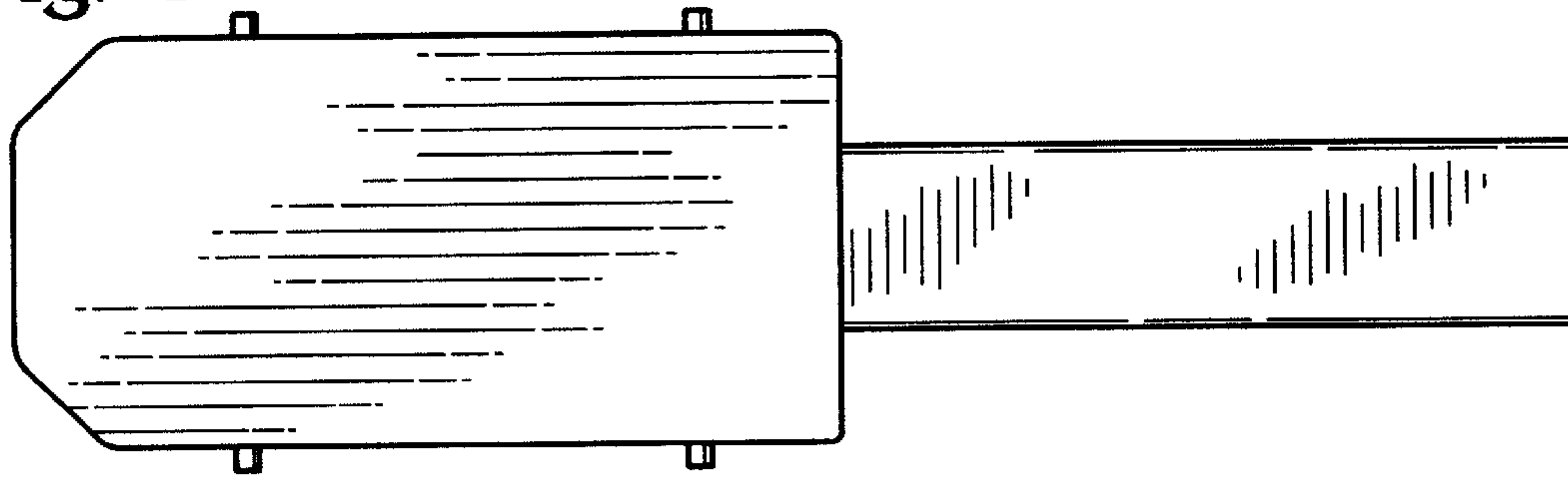


Fig. 5

