



US00D512347S

(12) **United States Design Patent**  
**Tiyawatchalpong**

(10) **Patent No.:** **US D512,347 S**

(45) **Date of Patent:** **\*\* Dec. 6, 2005**

(54) **BICYCLE**

(75) **Inventor:** **Jantana Tiyawatchalpong**, Bangkok  
Metropolis (TH)

(73) **Assignee:** **Magic Cycle Industrial Co., Ltd.**,  
Amphur Sampran (TH)

(\*\*) **Term:** **14 Years**

(21) **Appl. No.:** **29/215,533**

(22) **Filed:** **Oct. 21, 2004**

(30) **Foreign Application Priority Data**

Apr. 23, 2004 (TH) ..... 090336

(51) **LOC (8) Cl.** ..... **12-11**

(52) **U.S. Cl.** ..... **D12/111**

(58) **Field of Search** ..... D12/111, 110;  
280/274-288, 288.1-288.3; 180/219, 220

(56) **References Cited**

**U.S. PATENT DOCUMENTS**

D502,673 S \* 3/2005 Schlick ..... D12/111

\* cited by examiner

*Primary Examiner*—Alan P. Douglas

*Assistant Examiner*—Linda Brooks

(74) *Attorney, Agent, or Firm*—Stites & Harbison PLLC;  
Ross F. Hunt, Jr.

(57) **CLAIM**

The ornamental design for a bicycle, as shown and described.

**DESCRIPTION**

FIG. 1 is a front perspective view of the bicycle in accordance with my design;

FIG. 2 is a side elevational view of the bicycle of FIG. 1;

FIG. 3 is a side elevational view of the bicycle of FIG. 1; taken from the opposite side from that shown in FIG. 2;

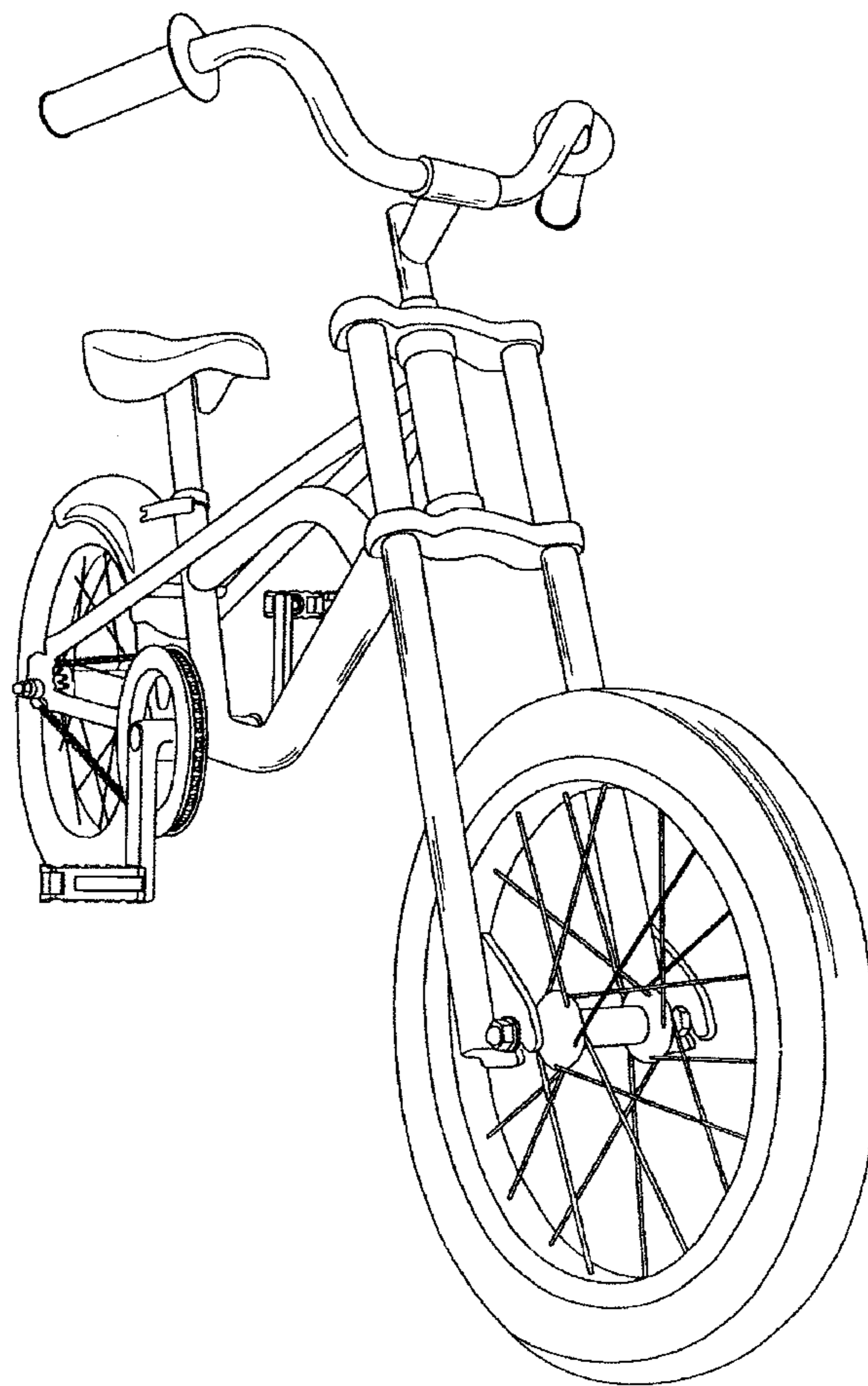
FIG. 4 is a rear elevational view of the bicycle of FIG. 1;

FIG. 5 is a front elevational view of the bicycle of FIG. 1;

FIG. 6 is a top plan view of the bicycle of FIG. 1; and,

FIG. 7 is a bottom plan view of the bicycle of FIG. 1.

**1 Claim, 5 Drawing Sheets**



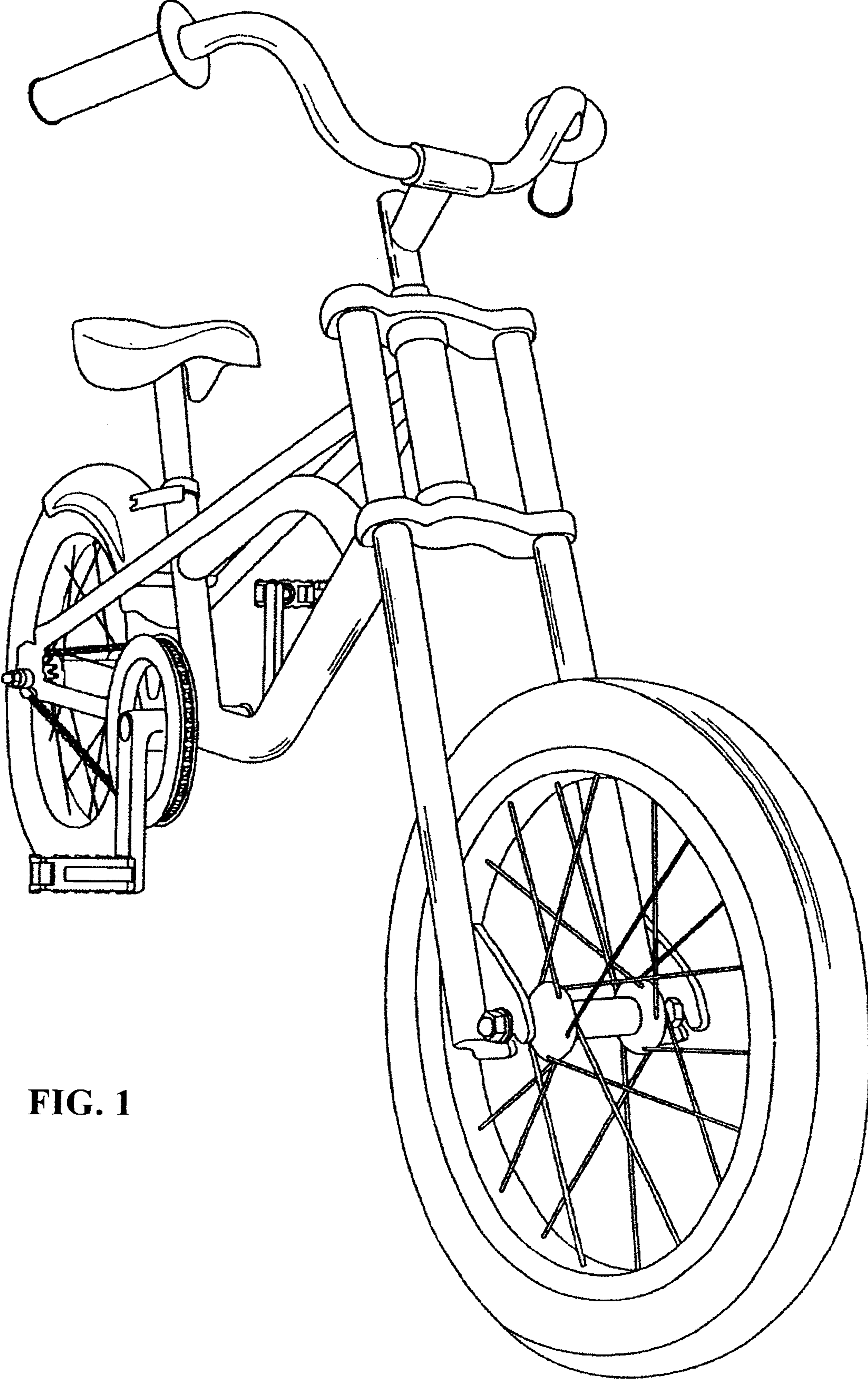


FIG. 1

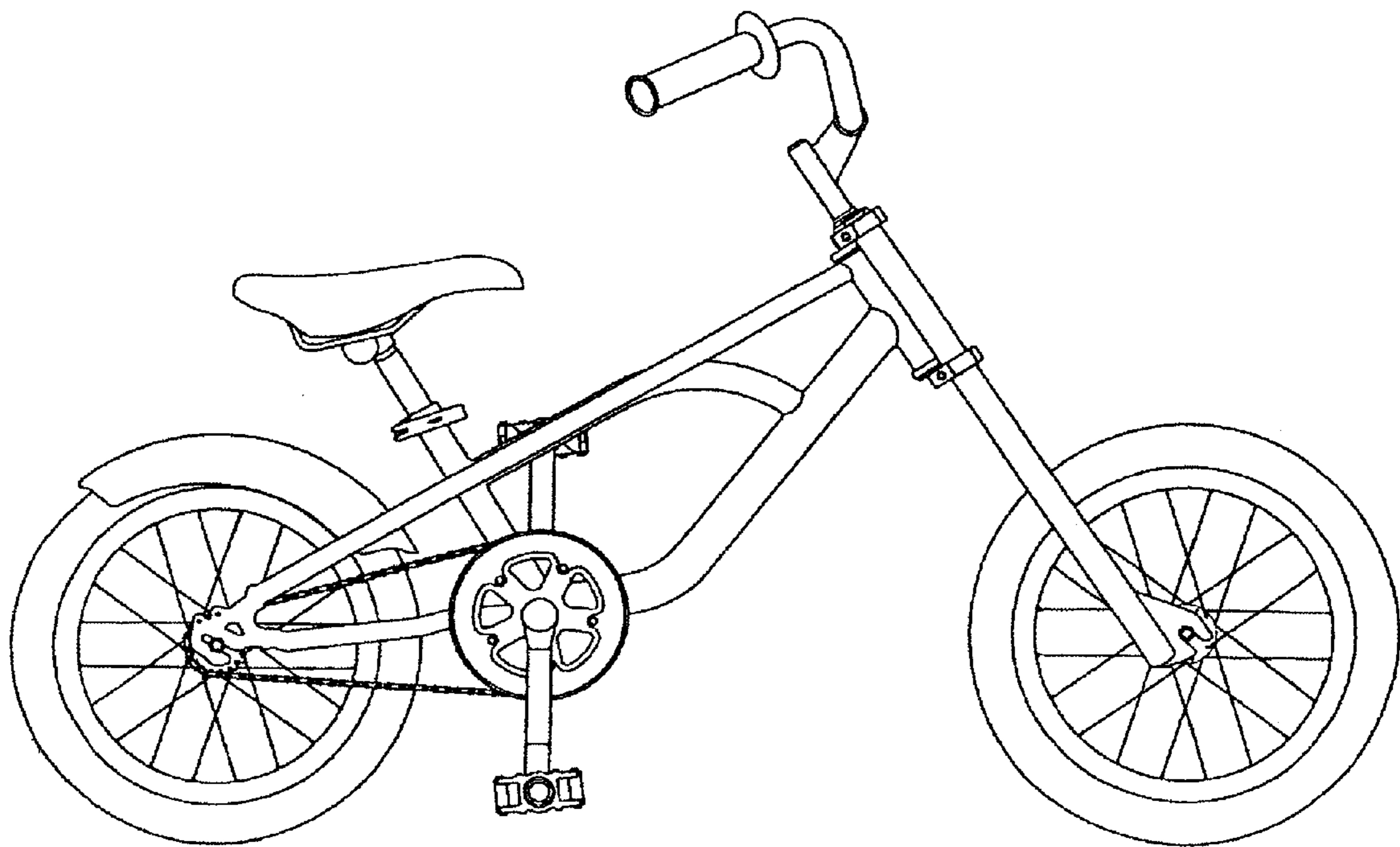


FIG. 2

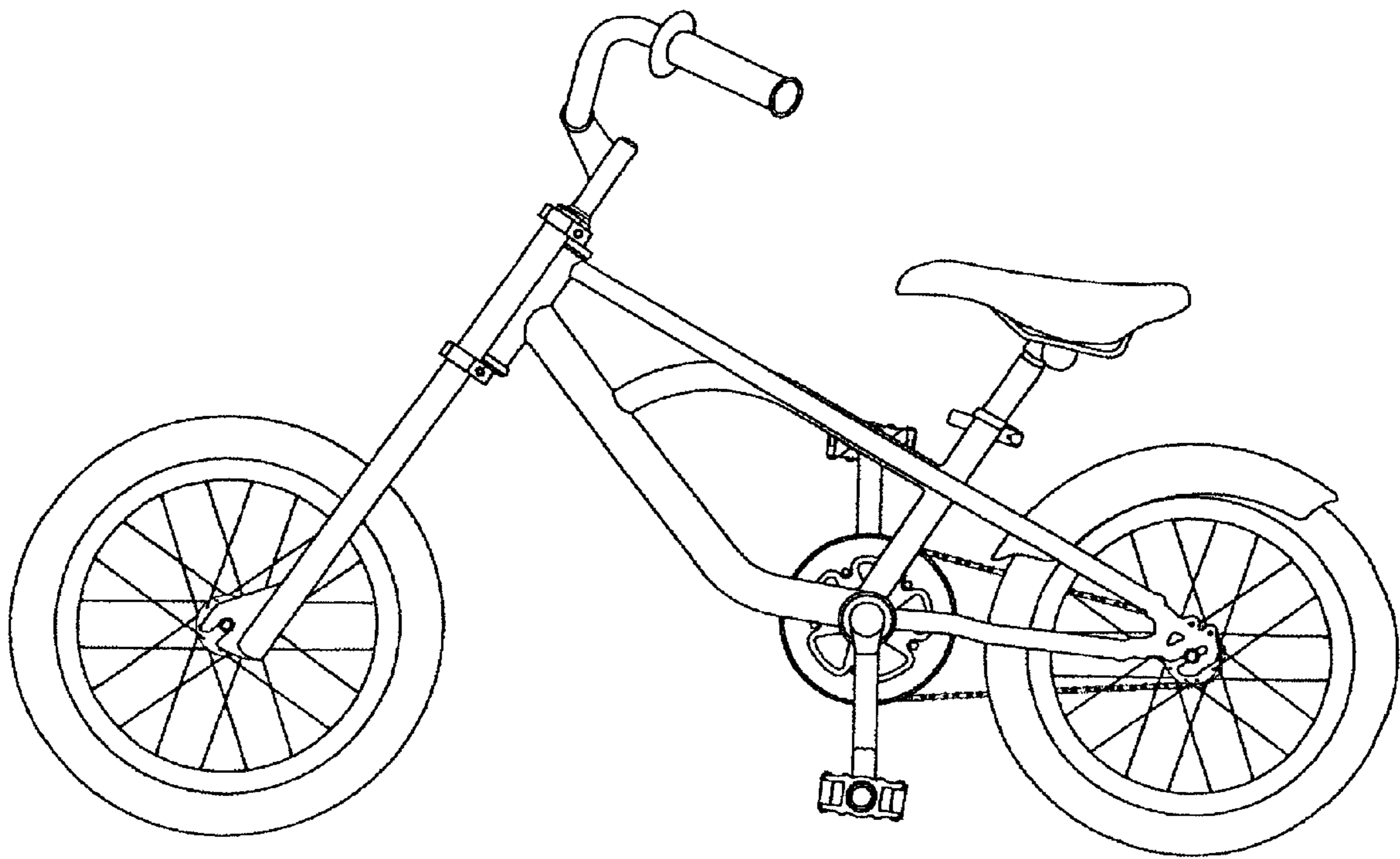


FIG. 3



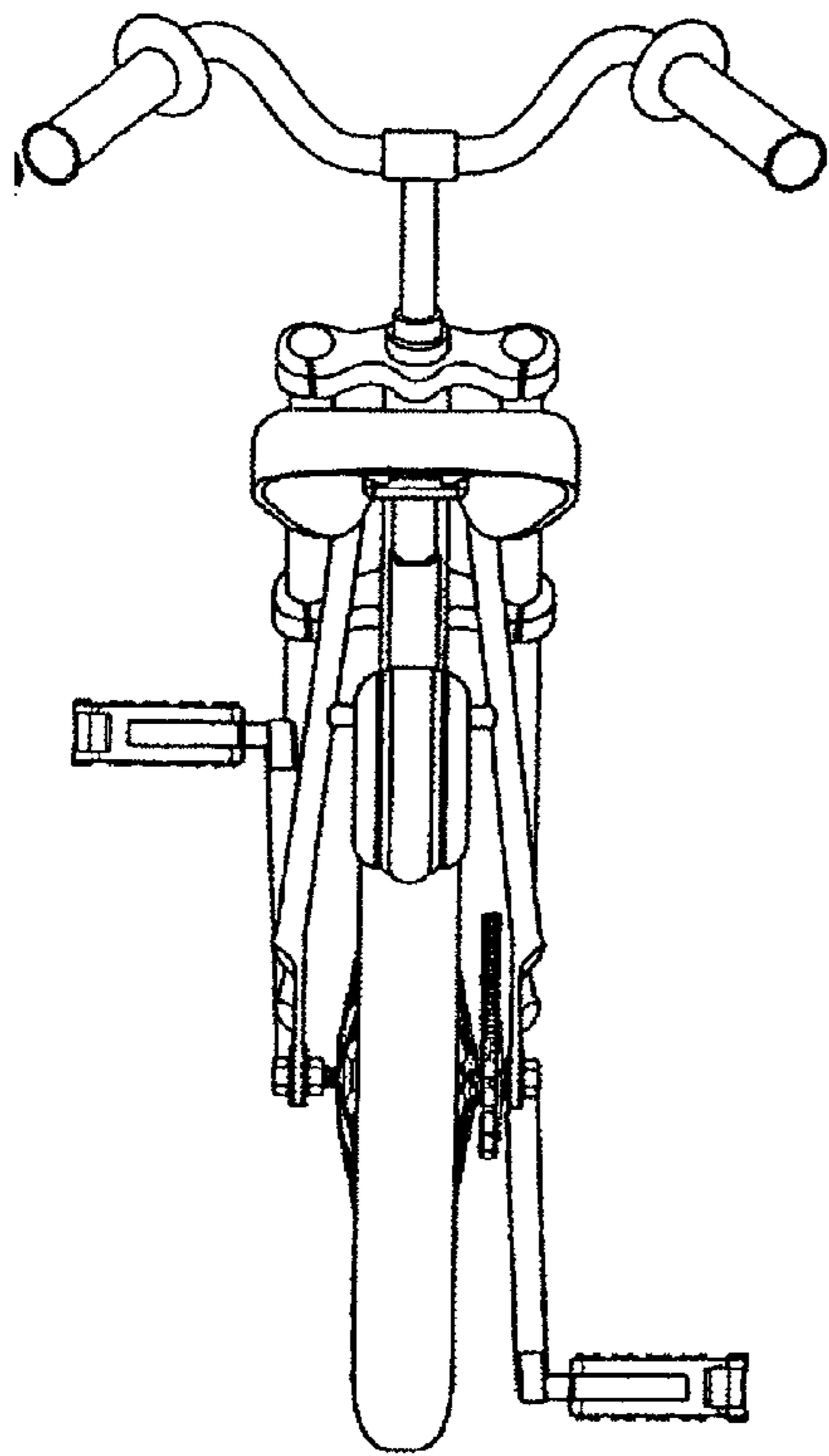


FIG. 4

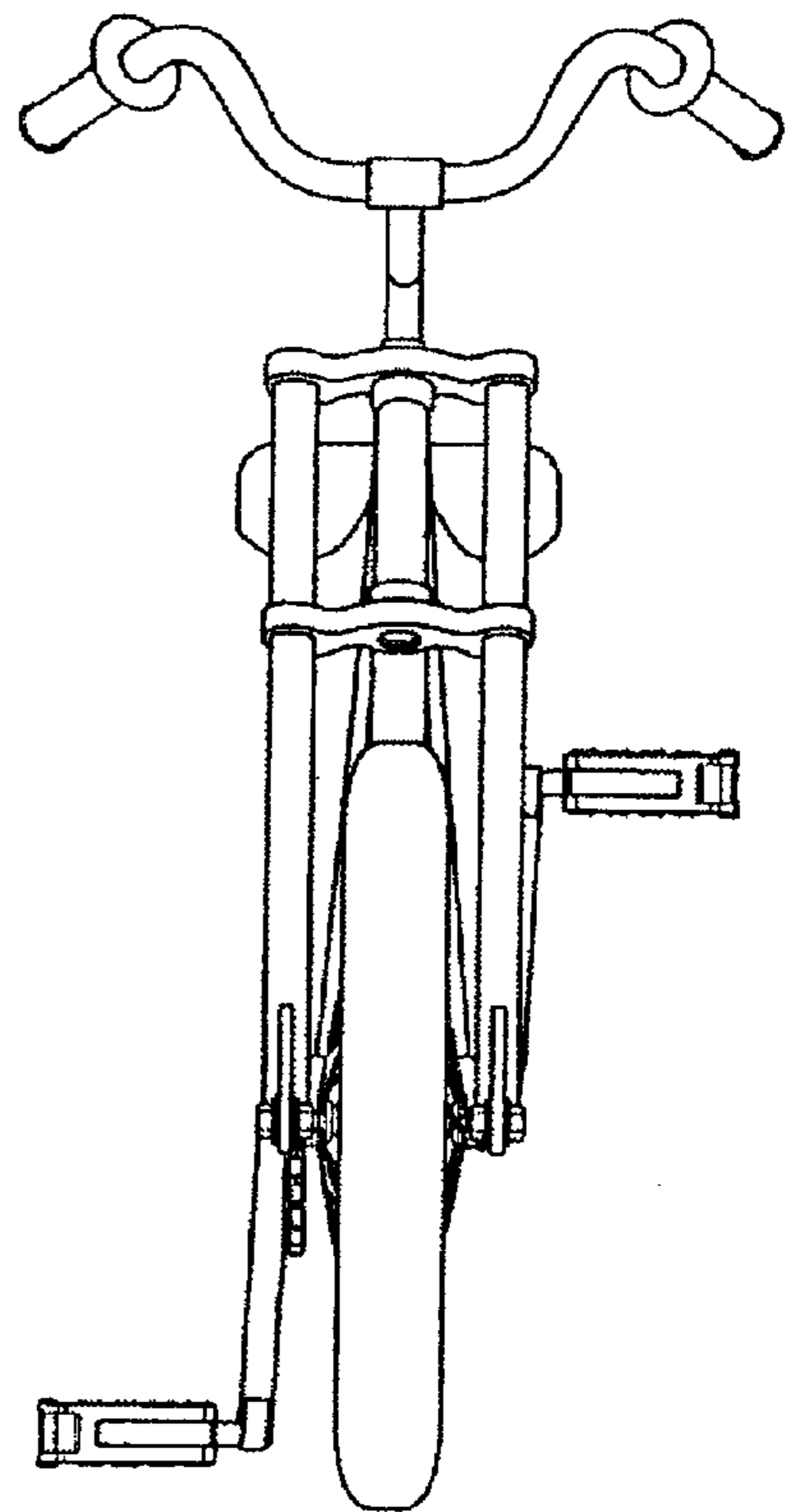


FIG. 5

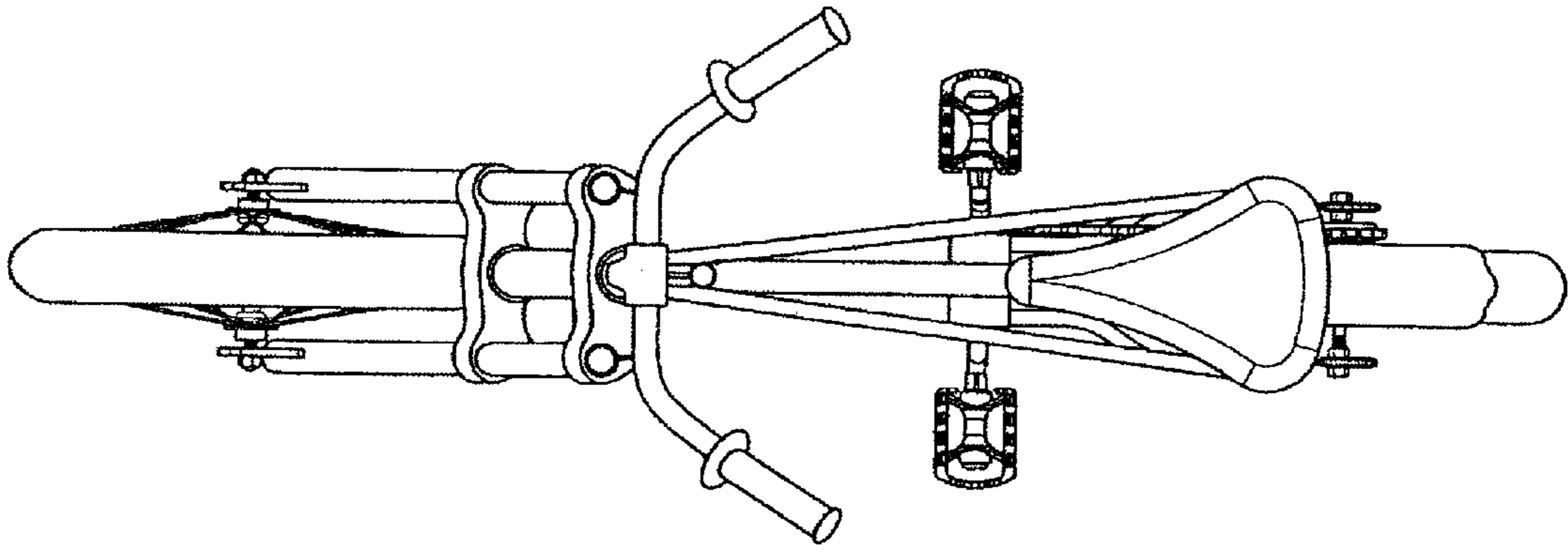


FIG. 6

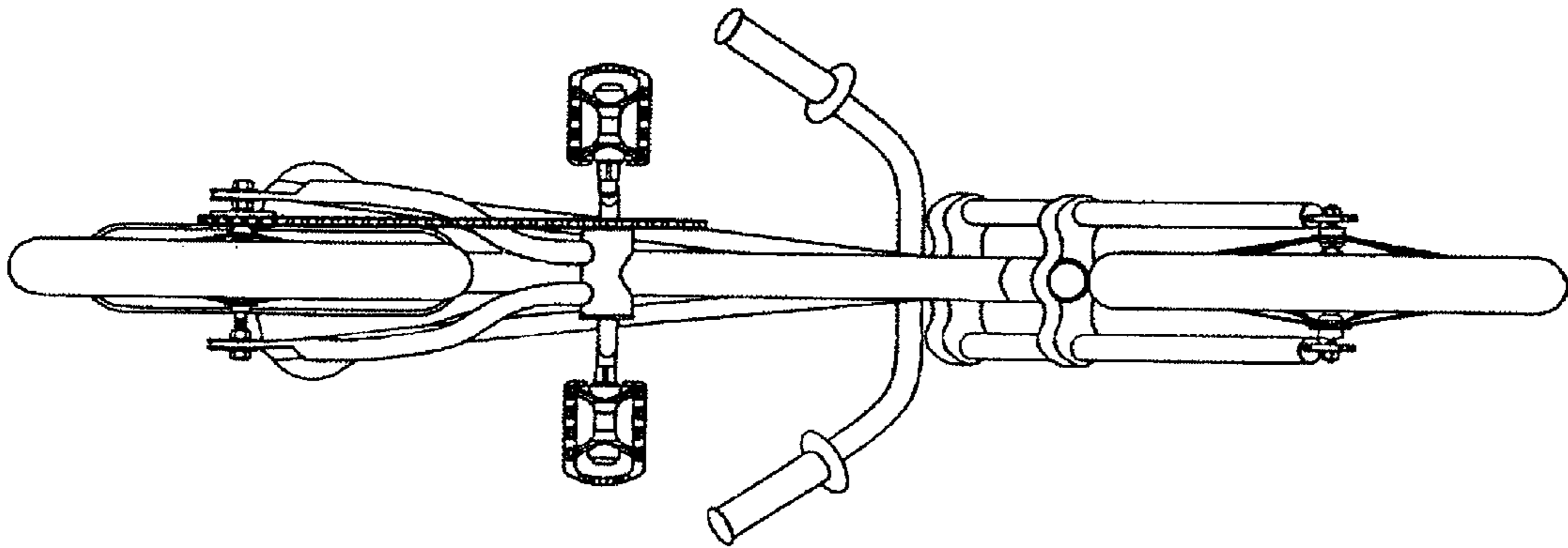


FIG. 7