



US00D512346S

(12) **United States Design Patent**
Sinclair et al.

(10) **Patent No.:** **US D512,346 S**
(45) **Date of Patent:** **** Dec. 6, 2005**

(54) **PORTABLE FOLDING BICYCLE**

(75) Inventors: **Clive Marles Sinclair**, London (GB);
Alexander Joseph Kalogroulis,
Coulsdon (GB)

(73) Assignee: **Daka Research Inc.**, Tortolla (VG)

(**) Term: **14 Years**

(21) Appl. No.: **29/205,879**

(22) Filed: **May 21, 2004**

(51) **LOC (8) Cl.** **12-11**

(52) **U.S. Cl.** **D12/111**

(58) **Field of Search** D12/111; 280/274-278,
280/283-288, 281.1

(56) **References Cited**

U.S. PATENT DOCUMENTS

D306,841 S * 3/1990 Hellestam et al. D12/111

* cited by examiner

Primary Examiner—Alan P. Douglas
Assistant Examiner—Linda Brooks

(74) *Attorney, Agent, or Firm*—Curtis L. Harrington

(57) **CLAIM**

The ornamental design for an portable folding bicycle, as shown and described.

DESCRIPTION

FIG. 1 is a perspective view of the portable folding bicycle;

FIG. 2 is a right side view;

FIG. 3 is a left side view;

FIG. 4 is a front view;

FIG. 5 is a rear view;

FIG. 6 is a top view; and,

FIG. 7 is a bottom view.

1 Claim, 4 Drawing Sheets

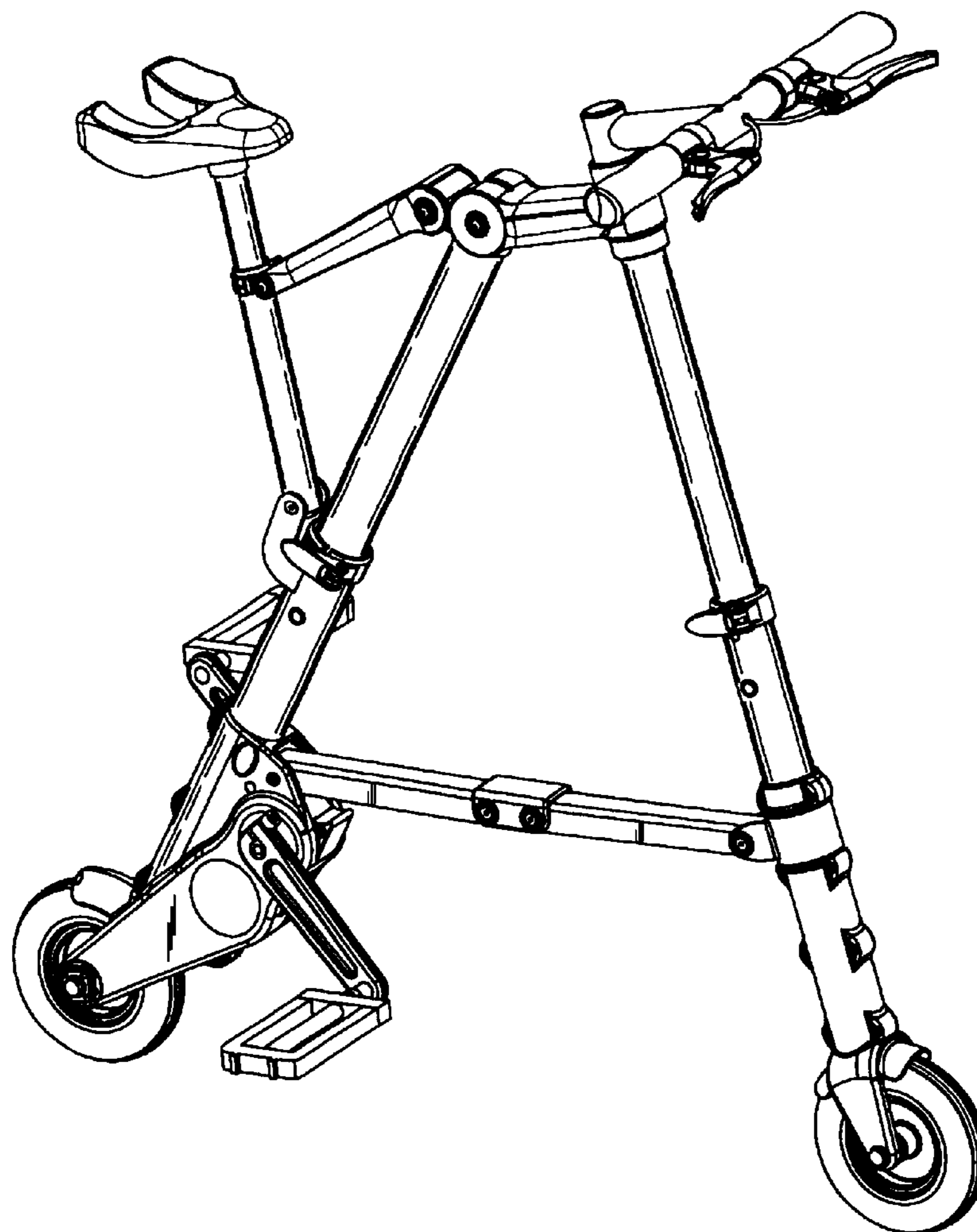


Fig. 1

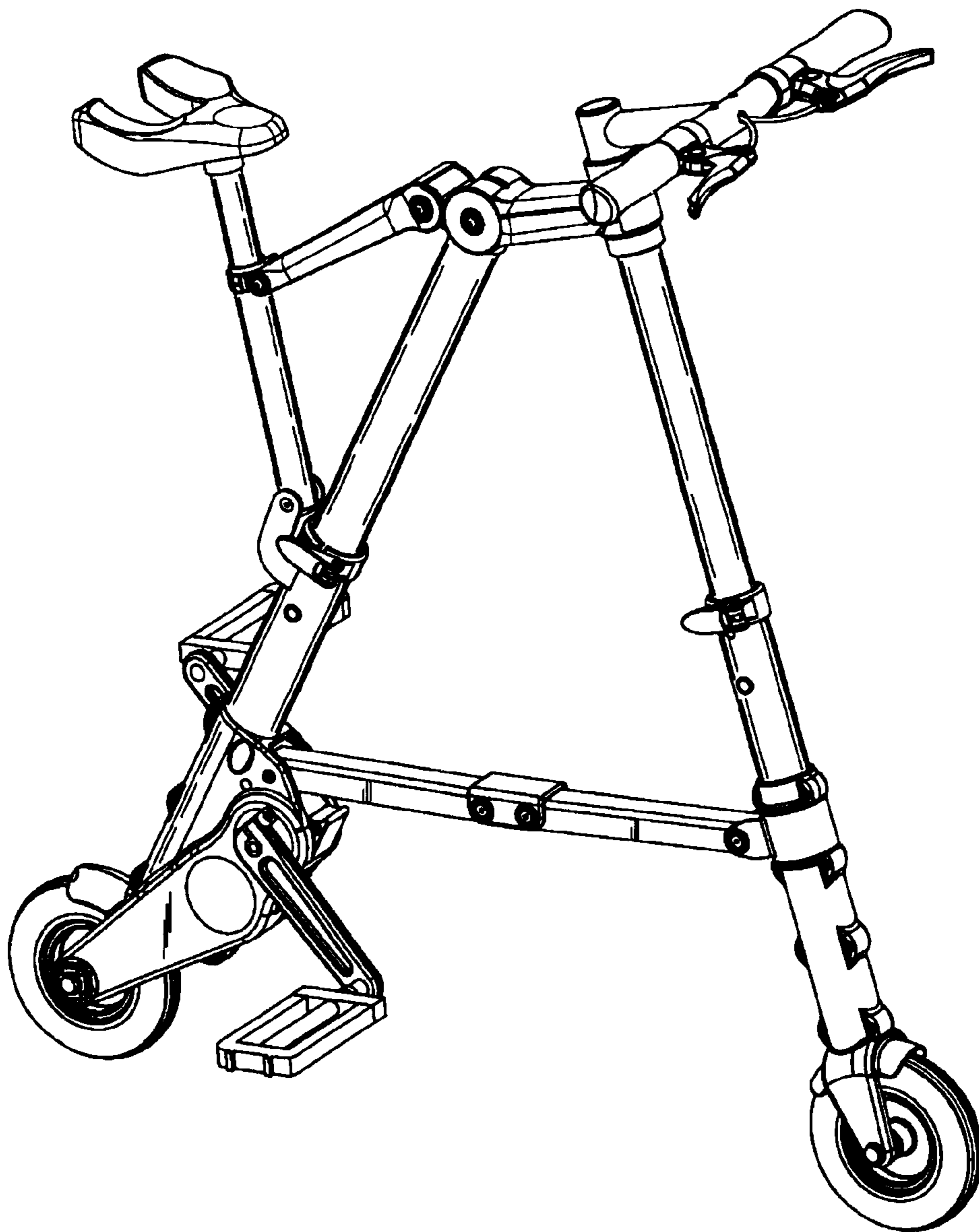


Fig. 2

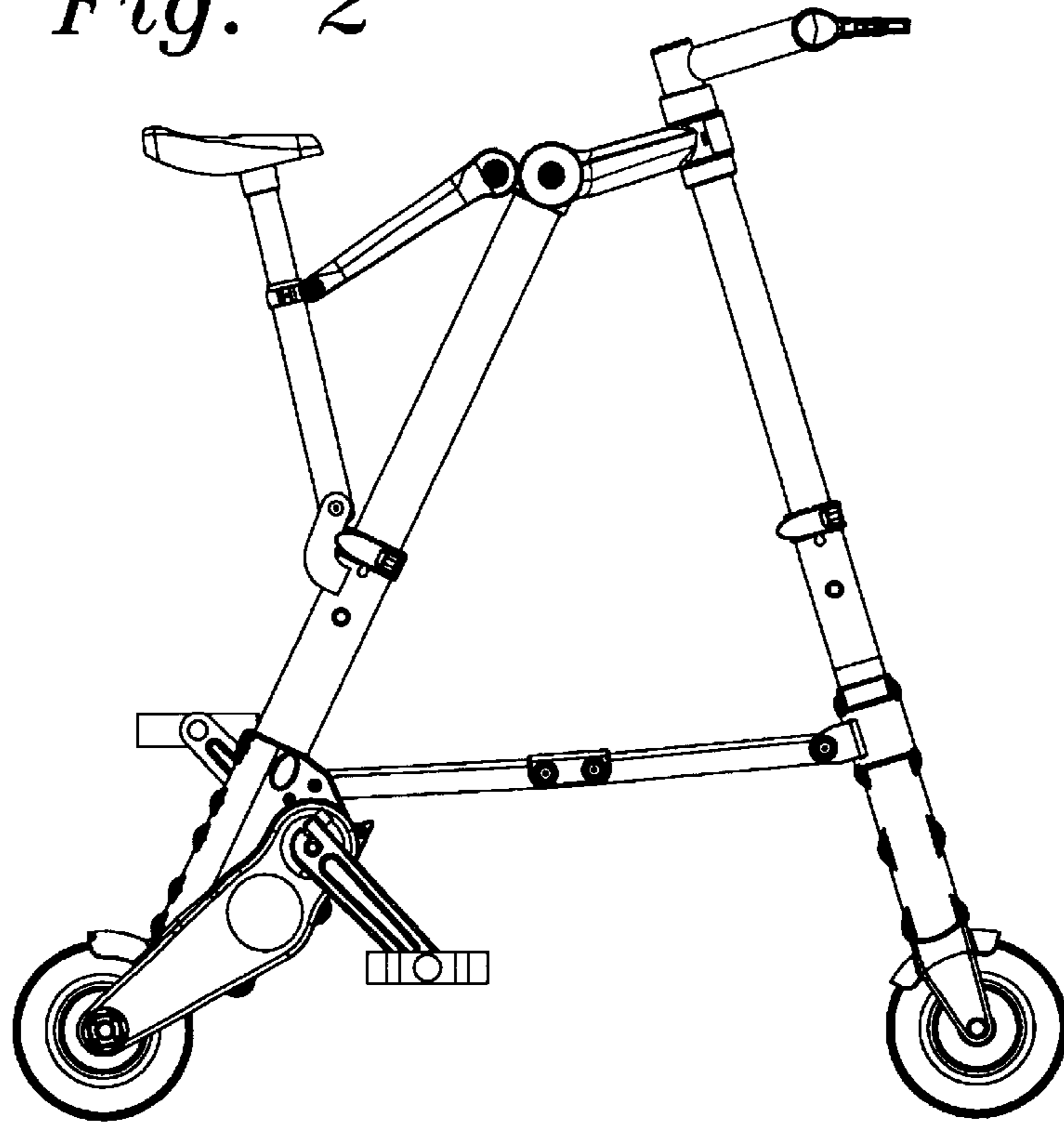


Fig. 3

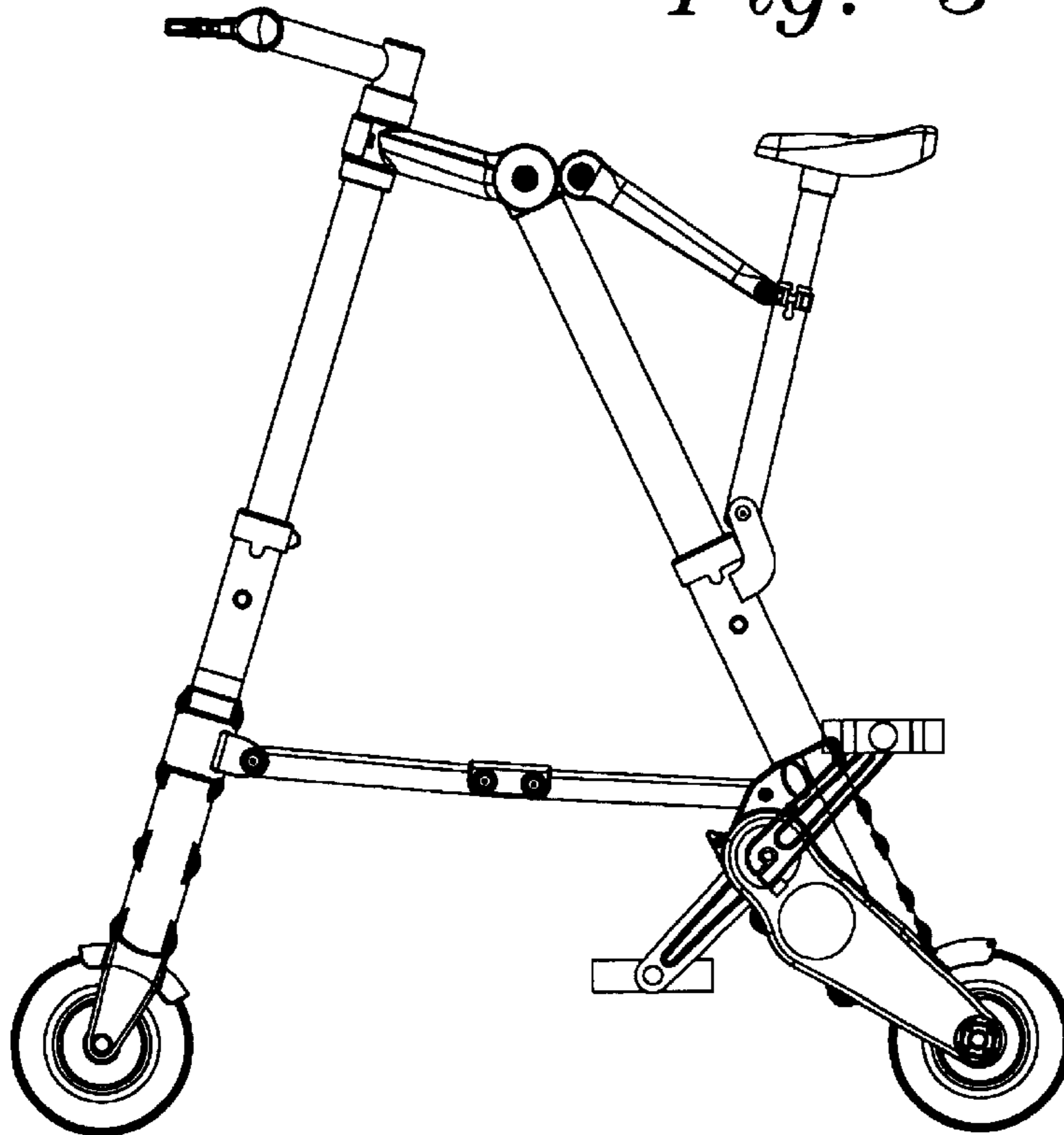


Fig. 4

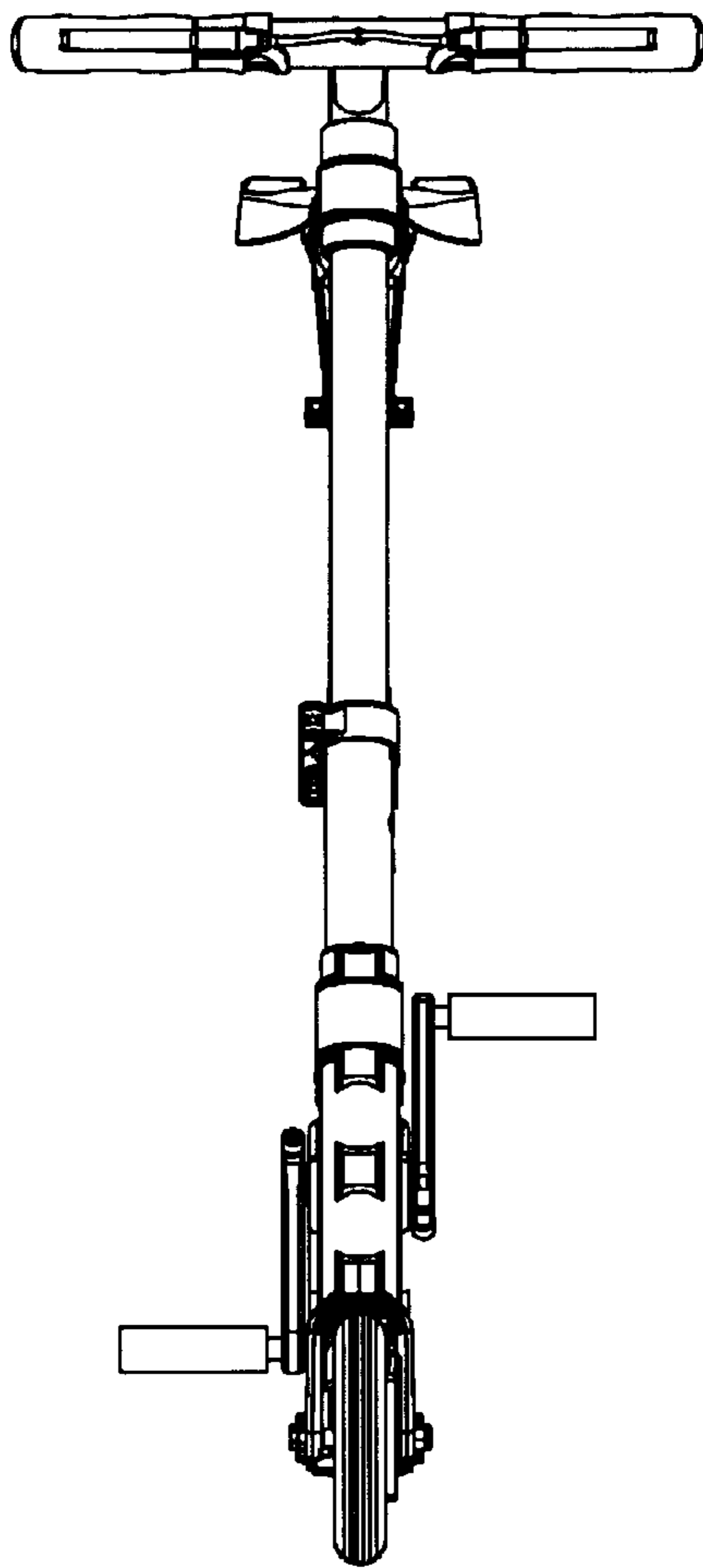


Fig. 5

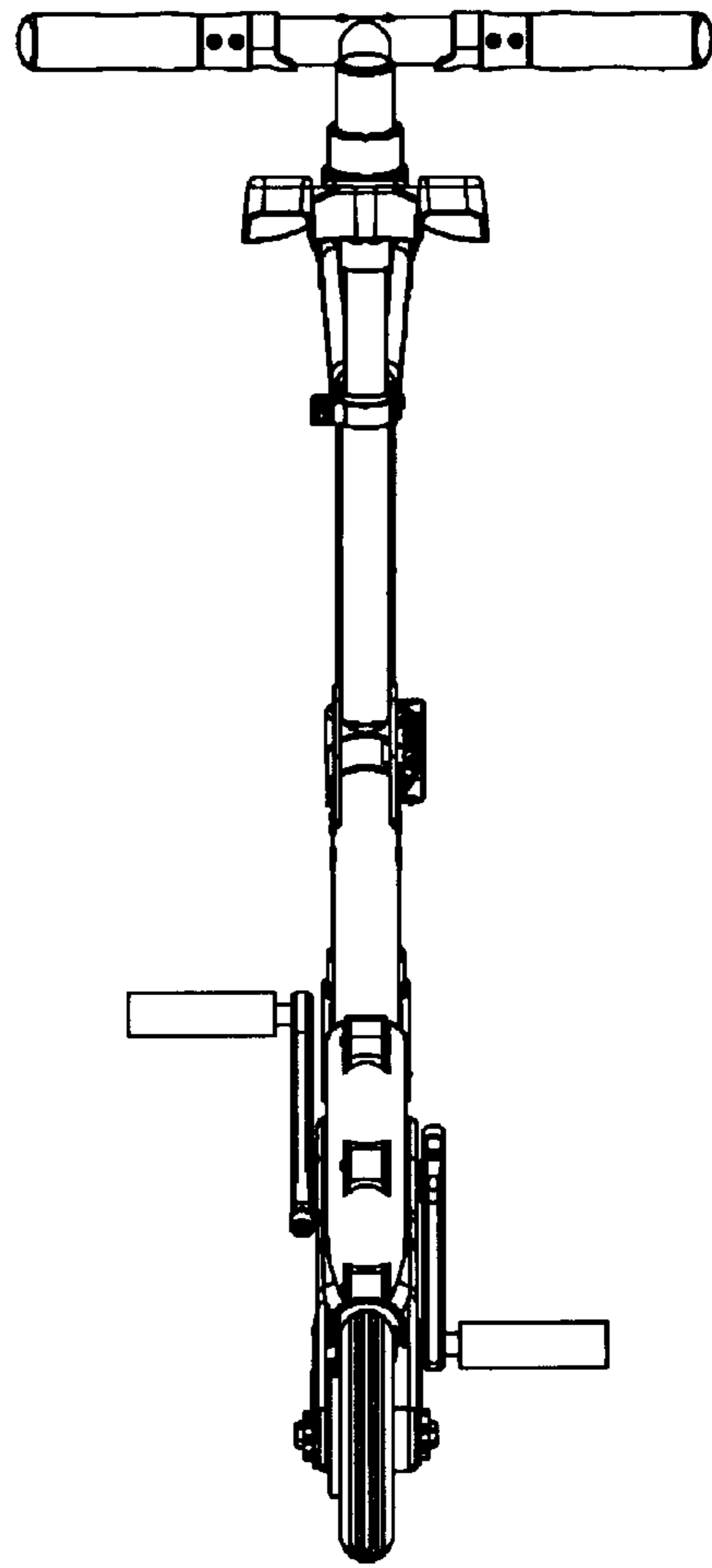


Fig. 6

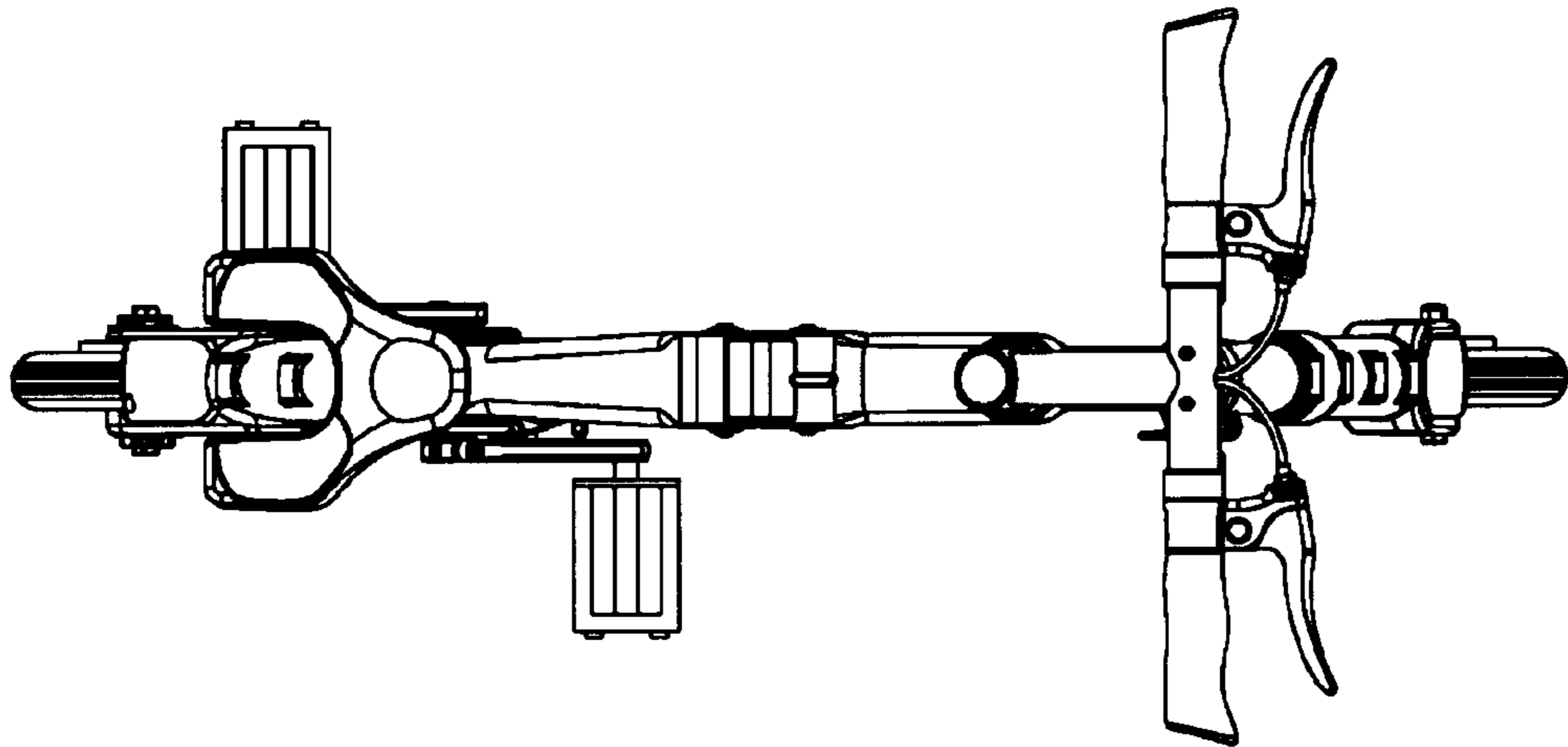


Fig. 7

