



US00D512345S

(12) **United States Design Patent**  
**Beich**

(10) **Patent No.:** **US D512,345 S**  
(45) **Date of Patent:** **\*\* Dec. 6, 2005**

(54) **MOTORCYCLE FRAME**

(76) **Inventor:** **Walter Beich**, 17100 Parker Rd.,  
Lockport, IL (US) 60441

(\*\*) **Term:** **14 Years**

(21) **Appl. No.:** **29/211,505**

(22) **Filed:** **Aug. 19, 2004**

(51) **LOC (8) Cl.** ..... **12-11**

(52) **U.S. Cl.** ..... **D12/110**

(58) **Field of Search** ..... **D12/110, 117;**  
180/219, 311, 312; 280/274, 278, 281.1,  
287, 288.1-288.3

(56) **References Cited**

**U.S. PATENT DOCUMENTS**

D492,917 S \* 7/2004 Pedersen ..... D12/110  
D498,179 S \* 11/2004 James ..... D12/110

\* cited by examiner

*Primary Examiner*—Alan P. Douglas  
*Assistant Examiner*—Linda Brooks

(74) *Attorney, Agent, or Firm*—Davis Chin

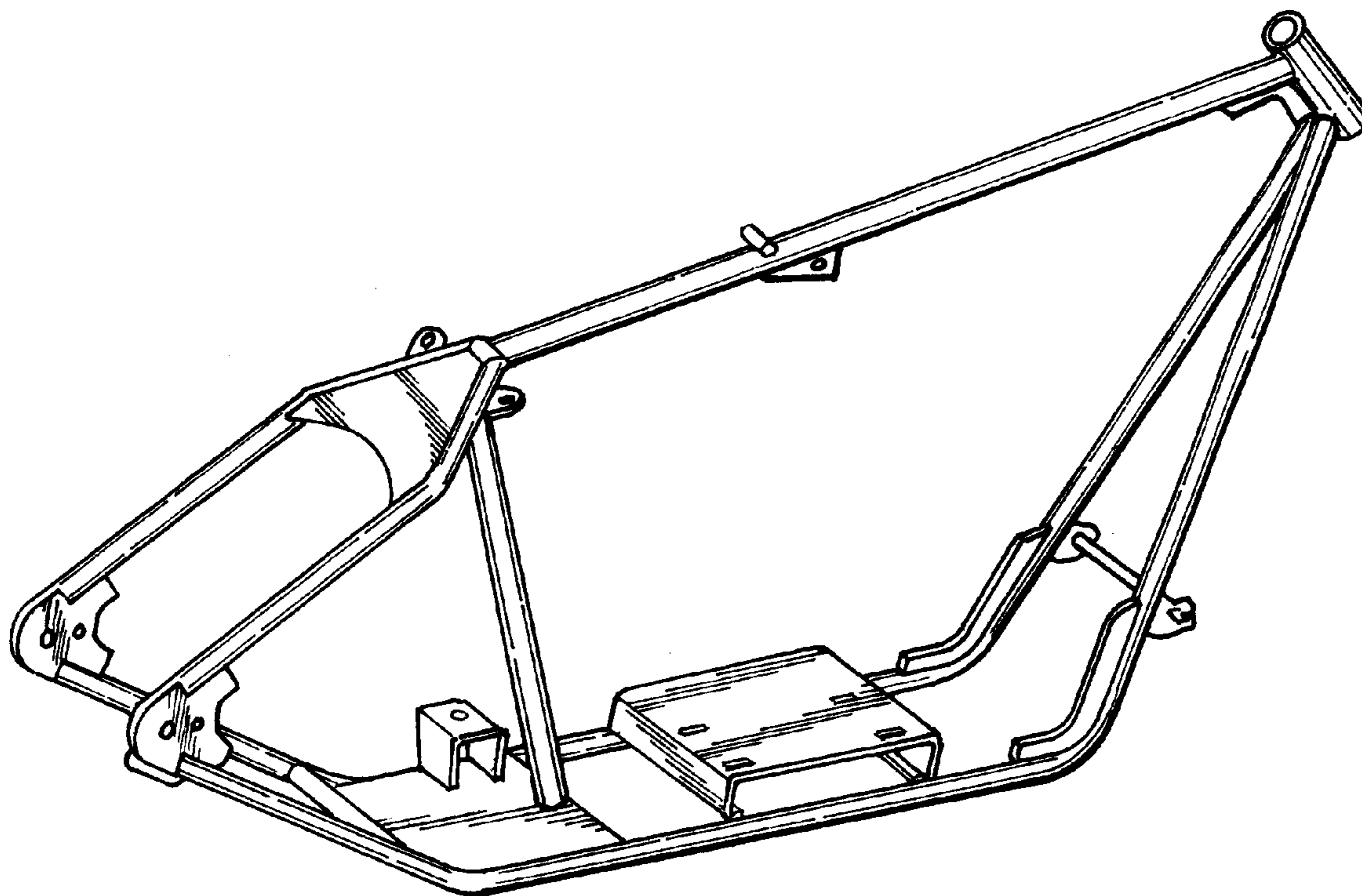
(57) **CLAIM**

The ornamental design for a motorcycle frame, as shown and described.

**DESCRIPTION**

FIG. 1 is a perspective view of a motorcycle frame showing my design;  
FIG. 2 is a front elevational view of the design shown in FIG. 1;  
FIG. 3 is a rear elevational view of the design shown in FIG. 1;  
FIG. 4 is a top plan view of the design shown in FIG. 1;  
FIG. 5 is a bottom plan view of the design shown in FIG. 1;  
FIG. 6 is a left side elevational view of the design shown in FIG. 1;  
FIG. 7 is a right side elevational view of the design shown in FIG. 1; and,  
FIG. 8 is a left side elevational view of the design shown in FIG. 1, with certain elements being illustrated in broken lines to show the environment.

**1 Claim, 2 Drawing Sheets**



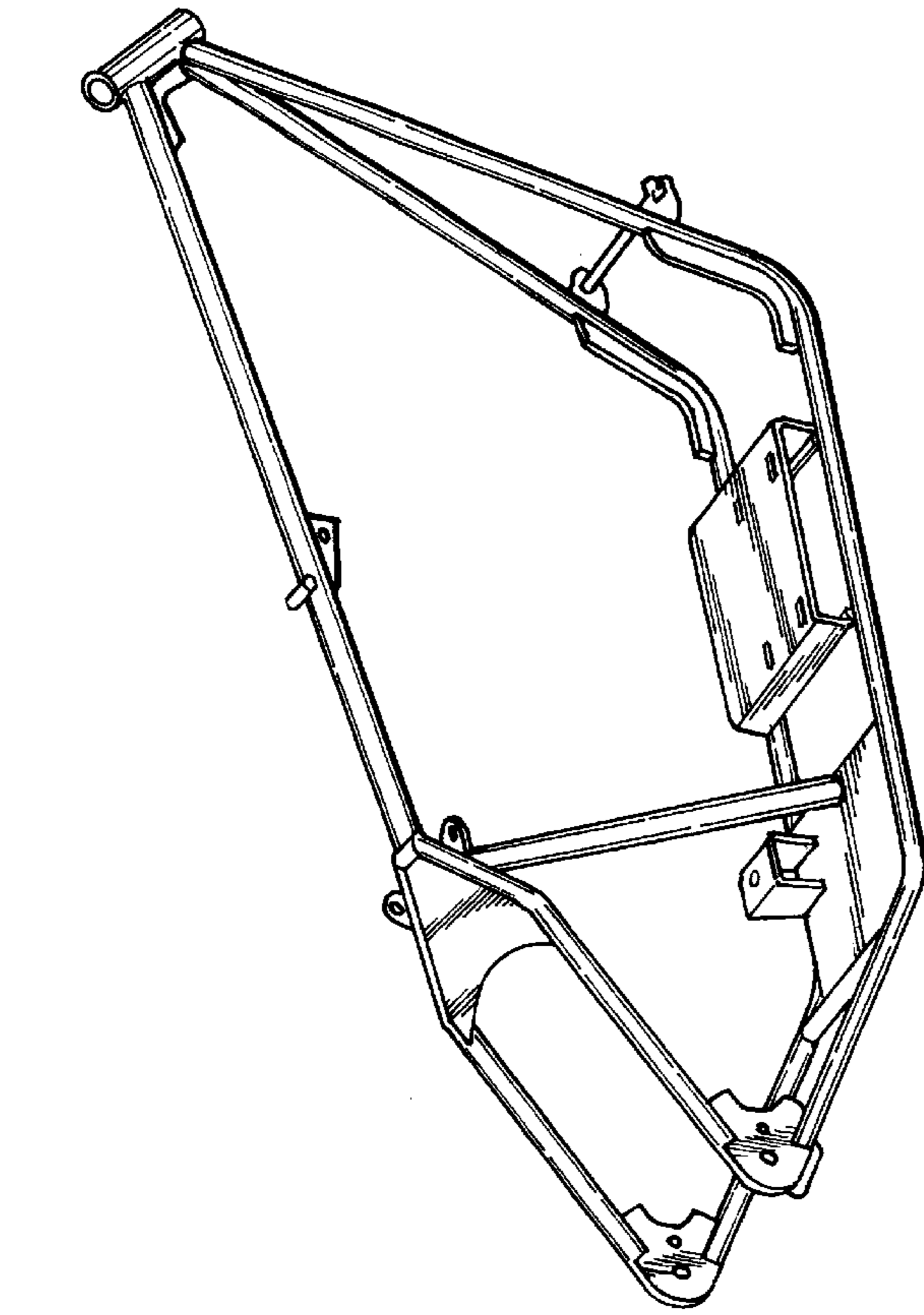


FIG. 1

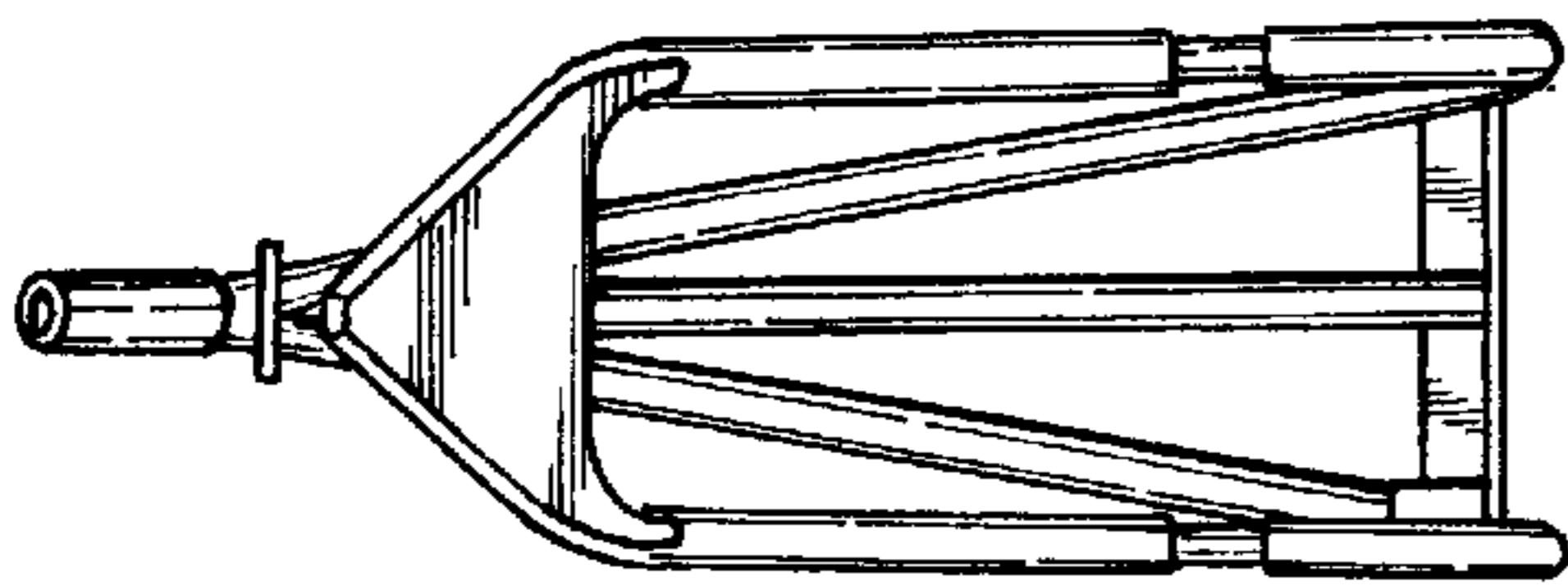


FIG. 2

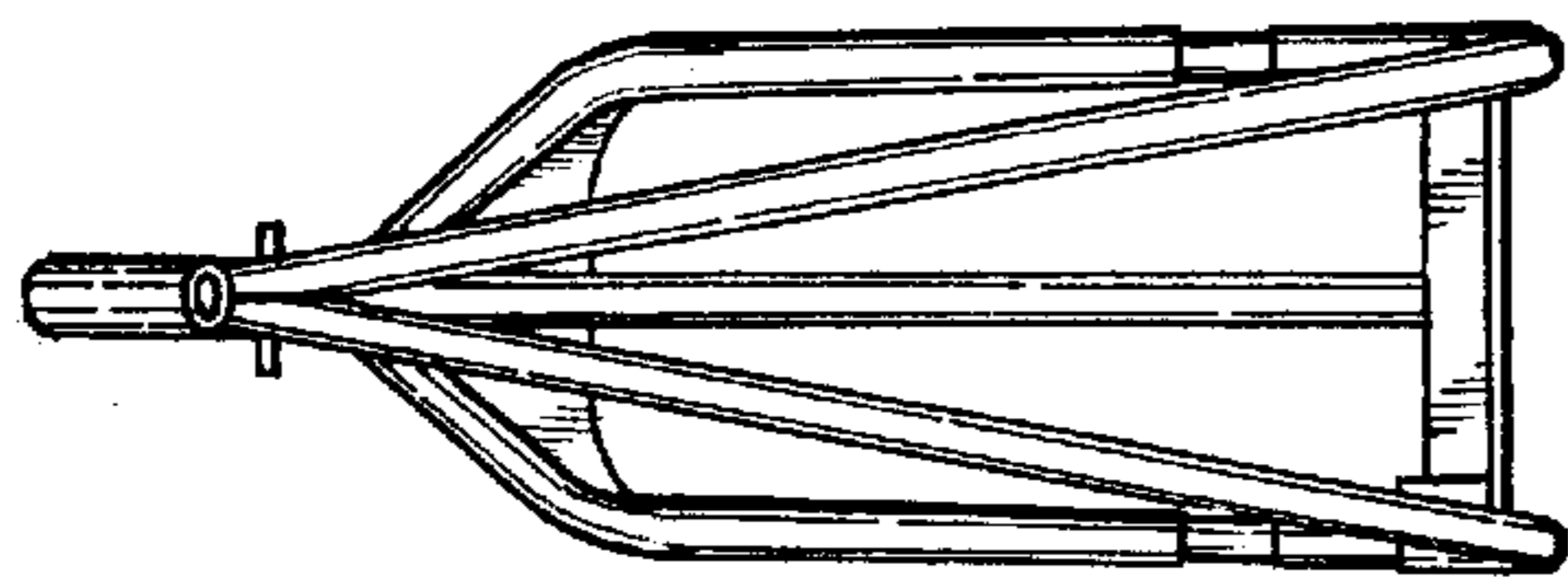


FIG. 3

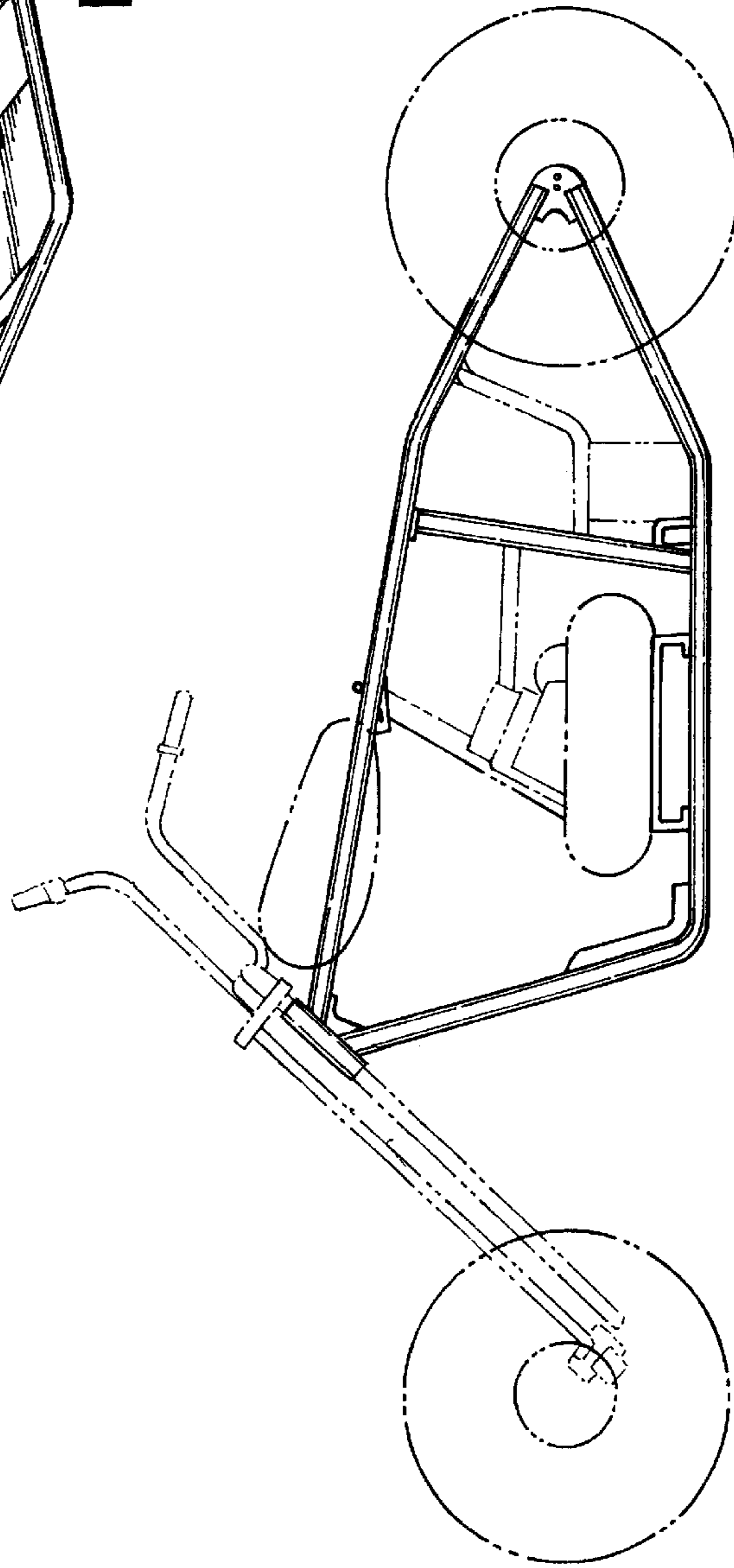


FIG. 8

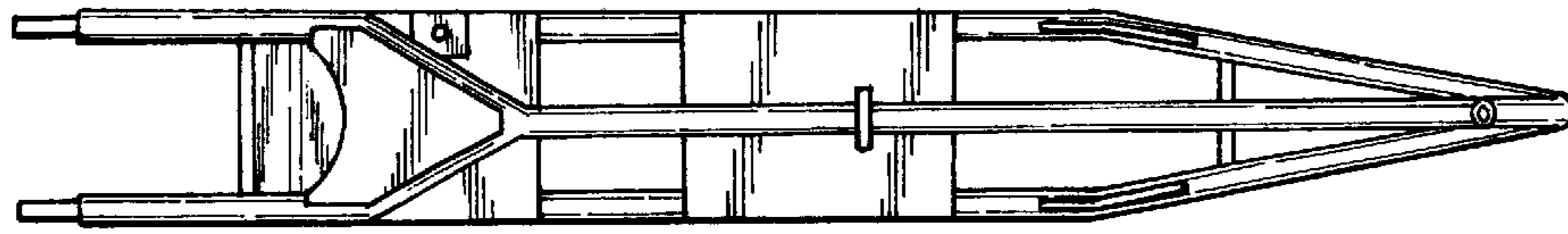


FIG. 4

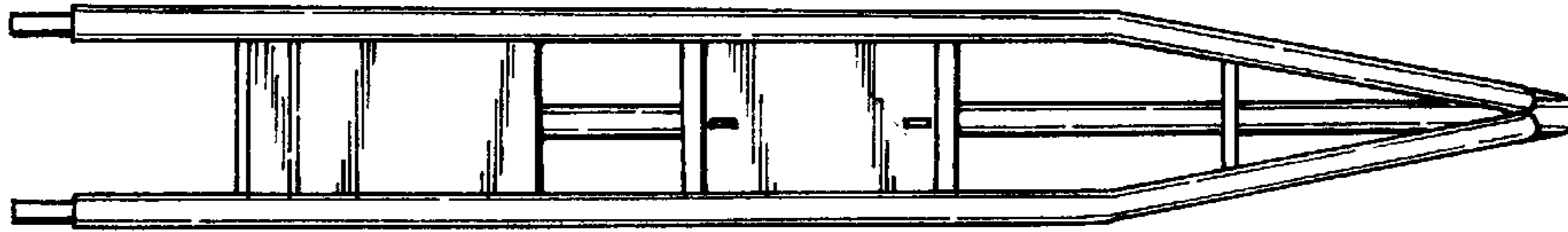


FIG. 5

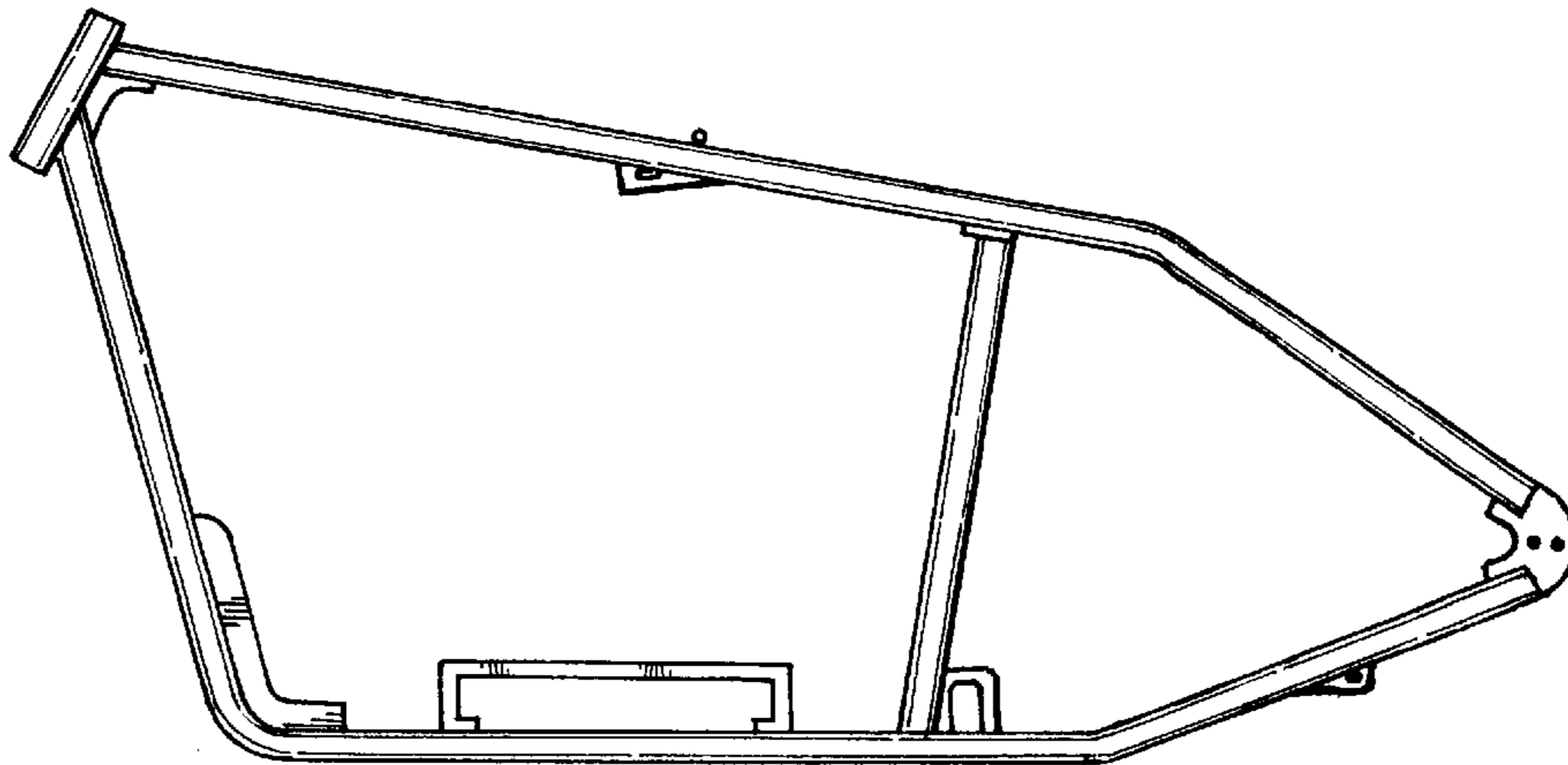


FIG. 6

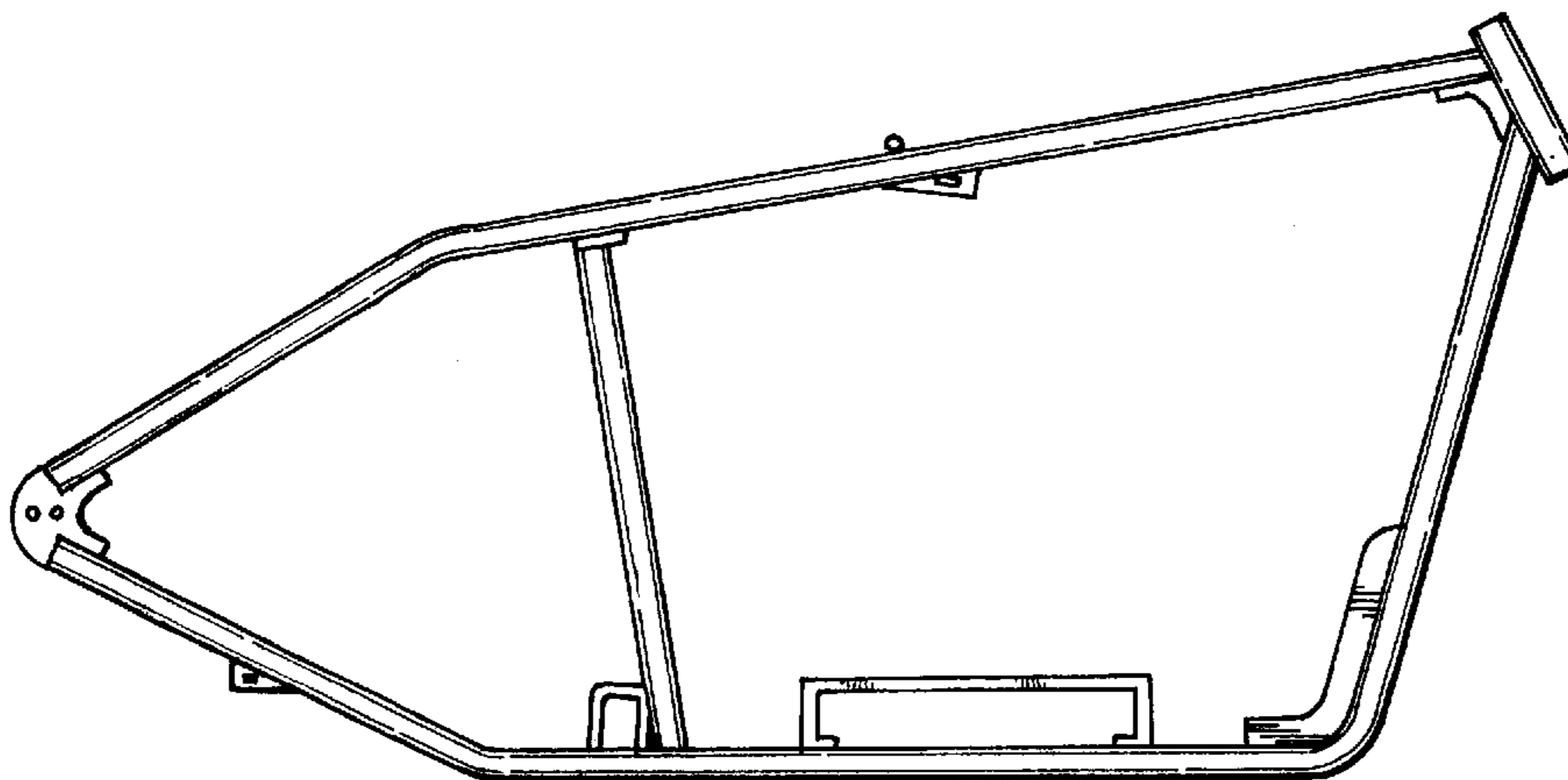


FIG. 7