



US00D512338S

(12) **United States Design Patent**
Hannon

(10) **Patent No.:** **US D512,338 S**
(45) **Date of Patent:** **** Dec. 6, 2005**

(54) **DISPLAY DEVICE**

(76) **Inventor:** **Bruce Hannon**, 1208 W. Union,
Champaign, IL (US) 61821

(**) **Term:** **14 Years**

(21) **Appl. No.:** **29/220,498**

(22) **Filed:** **Jan. 3, 2005**

(51) **LOC (8) Cl.** **11-02**

(52) **U.S. Cl.** **D11/131; D19/62**

(58) **Field of Search** **D11/131-133,**
D11/140, 157; D19/59, 62, 64; D10/44;
40/406-410; 428/13, 14, 542.2, 542.4;
434/211, 212, 365, 367, 370, 283, 429;
368/93-95

(56) **References Cited**

U.S. PATENT DOCUMENTS

D209,531 S * 12/1967 Koch D10/44
3,438,197 A * 4/1969 Harvey 368/93
D233,338 S * 10/1974 Zandler D19/62
4,431,313 A * 2/1984 Hemperly 368/93

D298,221 S * 10/1988 Popke D11/132
4,944,969 A * 7/1990 Usui 428/14
4,959,819 A * 9/1990 Haczewski, Jr. 368/93
D393,815 S * 4/1998 Johnson et al. D11/131
D405,114 S * 2/1999 Hossfeld et al. D19/62
D409,246 S * 5/1999 Fereday et al. D19/96
D413,077 S * 8/1999 Johnson et al. D11/131
6,553,678 B1 * 4/2003 Austin 33/482

* cited by examiner

Primary Examiner—Catherine Tuttle

(74) *Attorney, Agent, or Firm*—Michael Berns; Maloney,
Parkinson & Berns

(57) **CLAIM**

The ornamental design for a display device, as shown.

DESCRIPTION

FIG. 1 is an isometric view of the display device.
FIG. 2 is a front view of the display device.
FIG. 3 is a side view of the display device; and,
FIG. 4 is a top view of the display device.

1 Claim, 4 Drawing Sheets

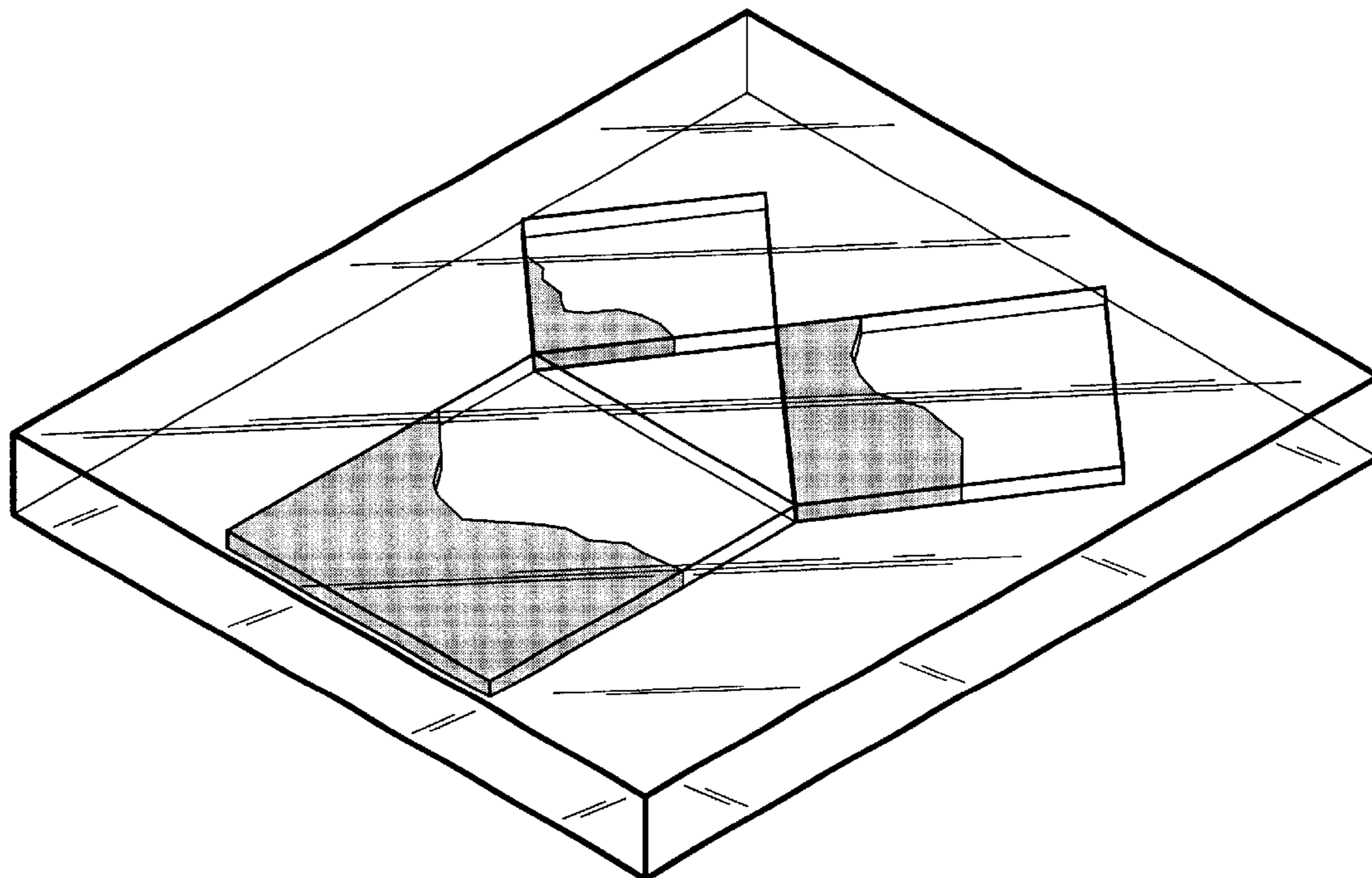


Fig. 1

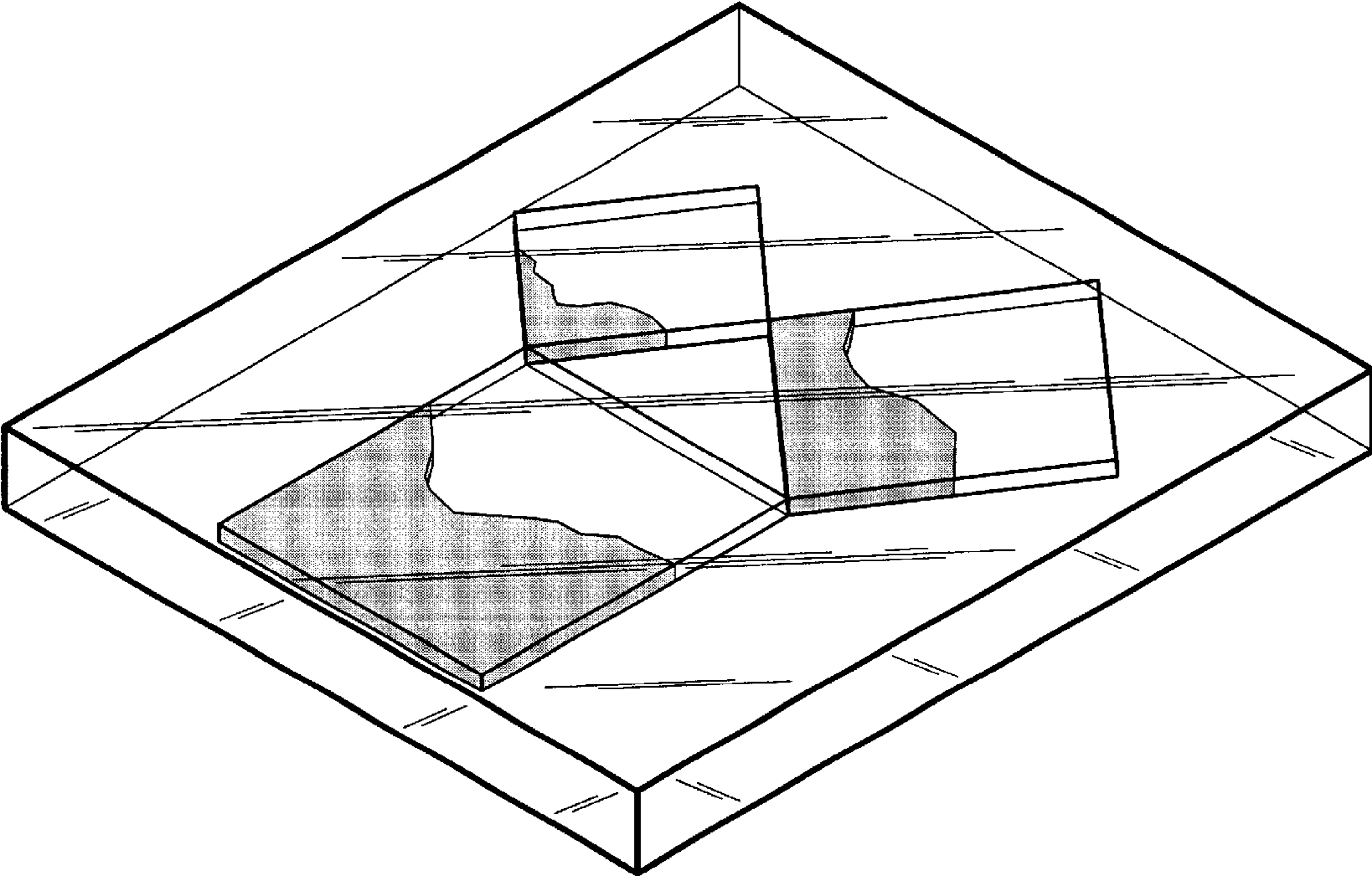


Fig. 2

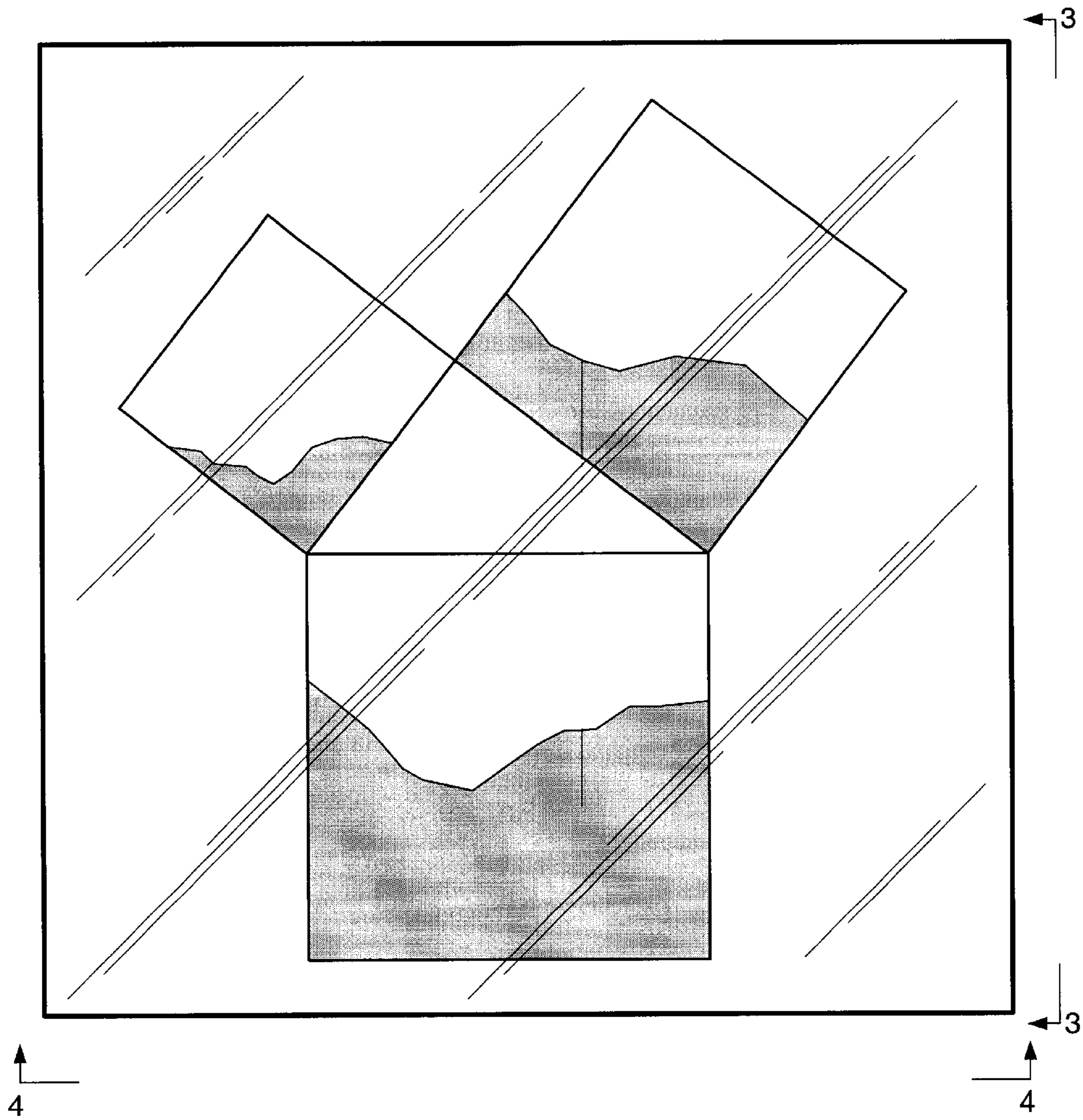


Fig. 3

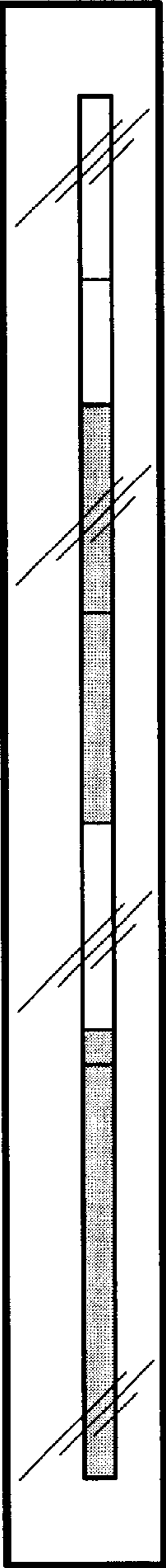


Fig. 4

