



US00D512336S

(12) **United States Design Patent**
Flick

(10) **Patent No.:** **US D512,336 S**
(45) **Date of Patent:** **** Dec. 6, 2005**

- (54) **SECURITY SIREN**
- (75) Inventor: **Kenneth E. Flick**, Douglasville, GA (US)
- (73) Assignee: **Omega Patents, L.L.C.**, Douglasville, GA (US)
- (**) Term: **14 Years**
- (21) Appl. No.: **29/202,897**
- (22) Filed: **Apr. 5, 2004**
- (51) **LOC (8) Cl.** **10-06**
- (52) **U.S. Cl.** **D10/120**
- (58) **Field of Search** D26/28, 1, 36; D10/120, 119, 116, 111, 104, 102, 106; D14/159, 160, 167, 214; 340/384.4, 384.1, 463, 436, 435, 404.2, 404.1; 116/147, 56, 58 R

- D434,865 S * 12/2000 Hussaini et al. D26/28
- D440,175 S * 4/2001 Hu D10/120
- D452,454 S * 12/2001 Bekasi et al. D10/120
- D471,658 S * 3/2003 Byggmastar D26/28
- 6,885,295 B2 * 4/2005 Hanson-Abbott et al. ... 340/474

* cited by examiner

Primary Examiner—Cathron C. Brooks
Assistant Examiner—Austin Murphy
(74) *Attorney, Agent, or Firm*—Allen, Dyer, Doppelt, Milbrath & Gilchrist, P.A.

(57) **CLAIM**

The ornamental design for a security siren, as shown and described.

DESCRIPTION

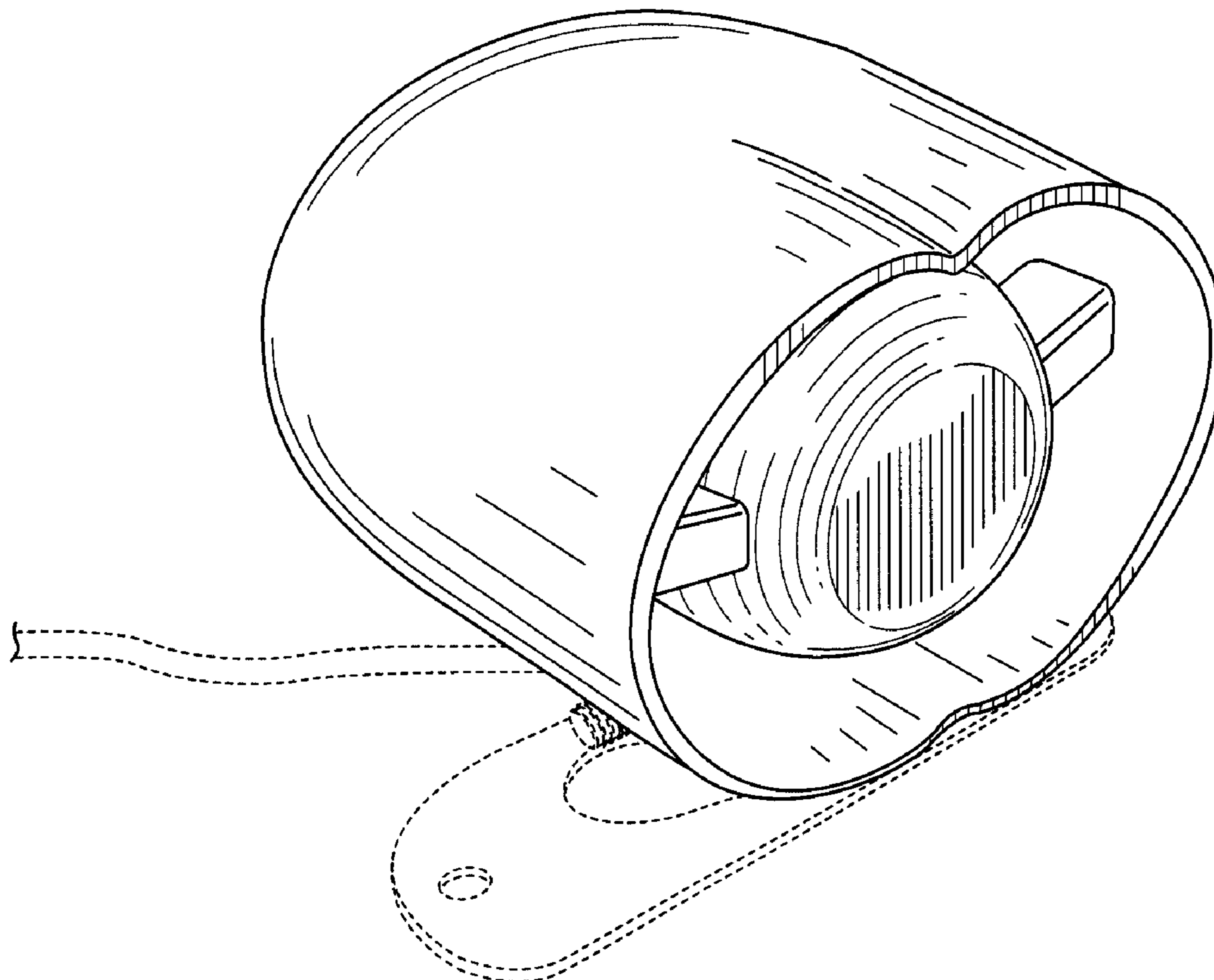
FIG. 1 is a top perspective view of a security siren showing my new design with broken lines being for illustrative purposes and forming no part of the claimed design; FIG. 2 is a front elevational view; FIG. 3 is a back elevational view; FIG. 4 is a top plan view; FIG. 5 is a bottom plan view; and, FIG. 6 is a left side elevational view.

(56) **References Cited**

U.S. PATENT DOCUMENTS

- D189,914 S * 3/1961 Emerson D10/102
- D279,965 S * 8/1985 Mikami D10/120
- D339,647 S * 9/1993 Kawashima et al. D26/24

1 Claim, 6 Drawing Sheets



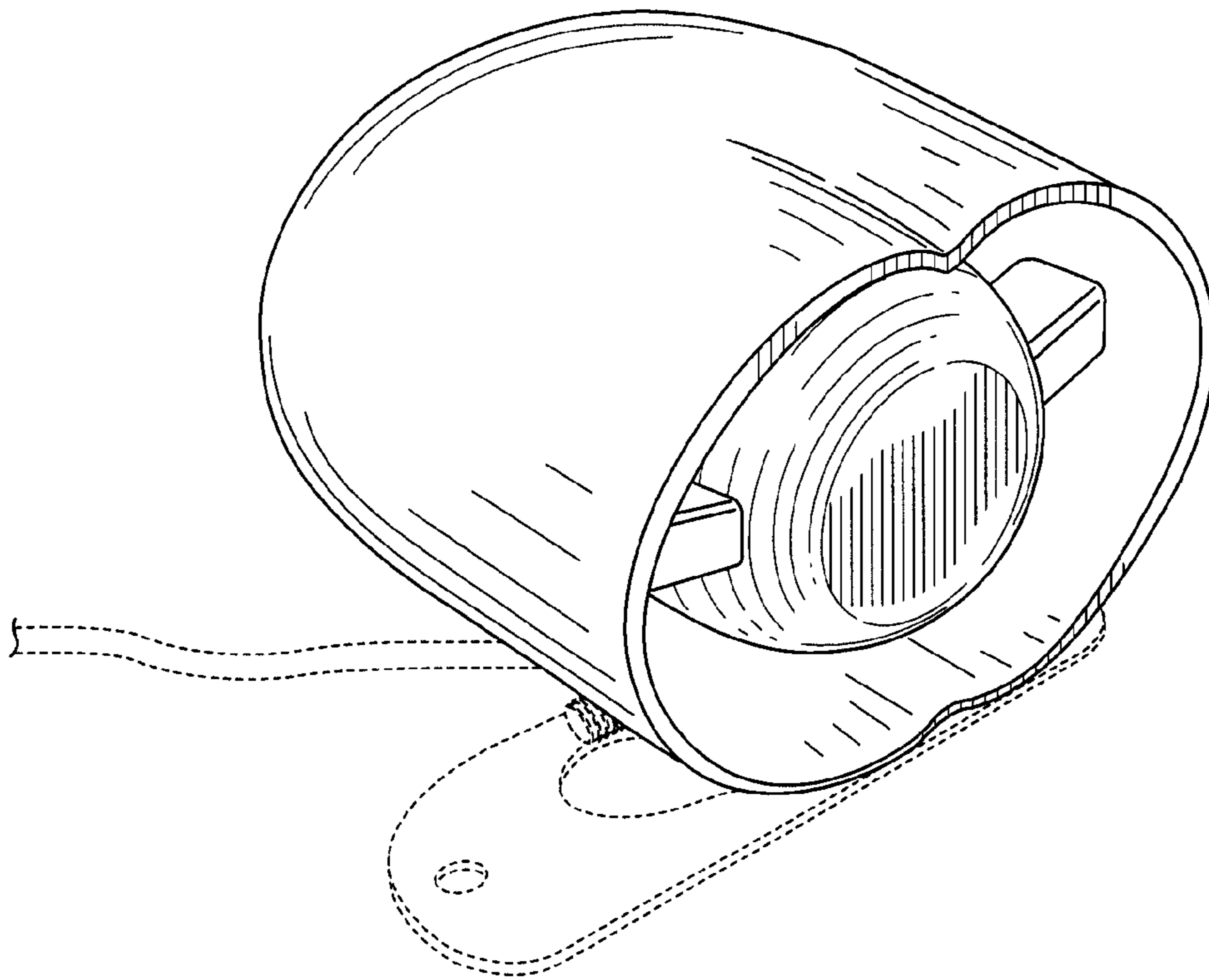


FIG. 1

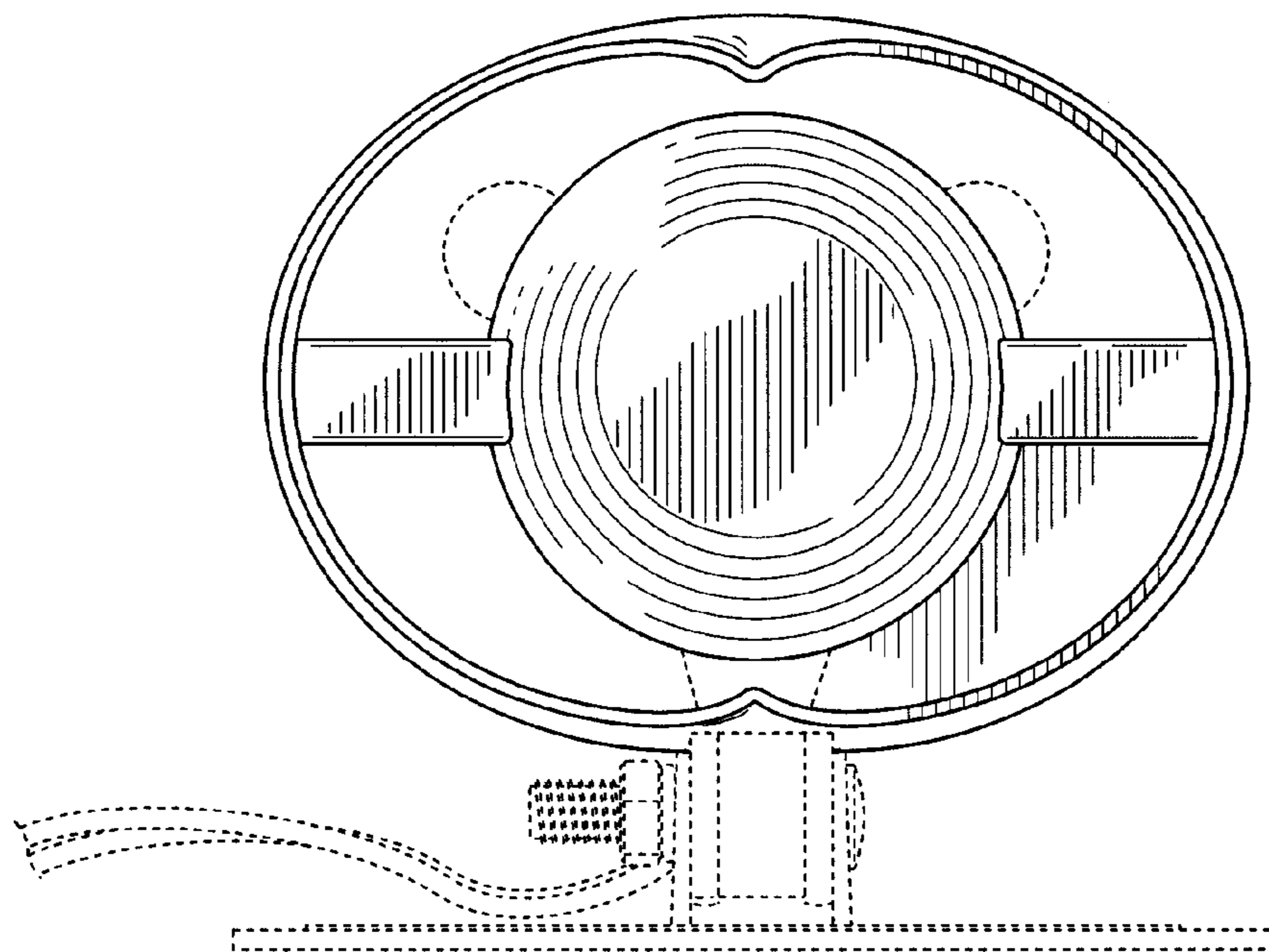


FIG. 2

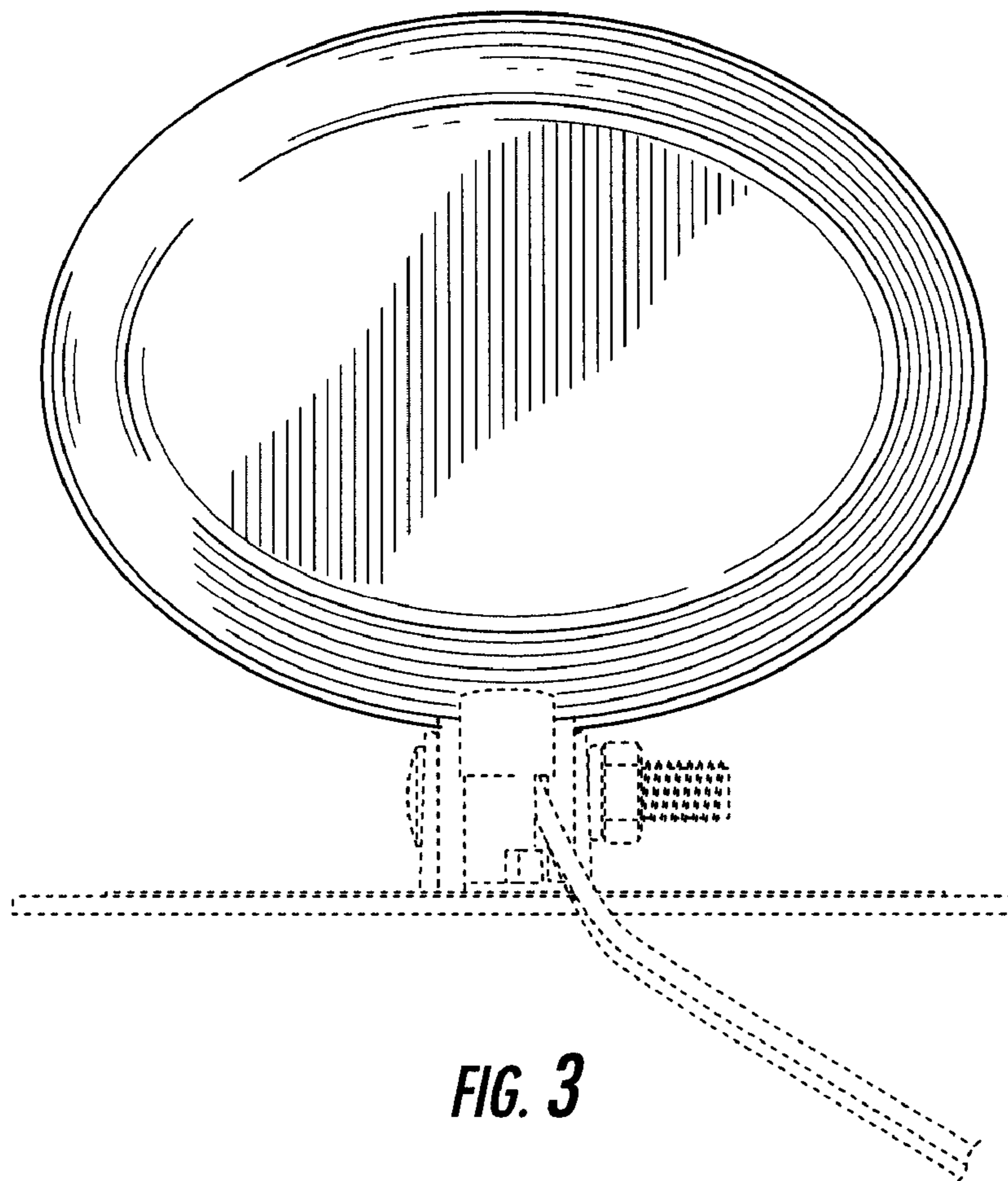


FIG. 3

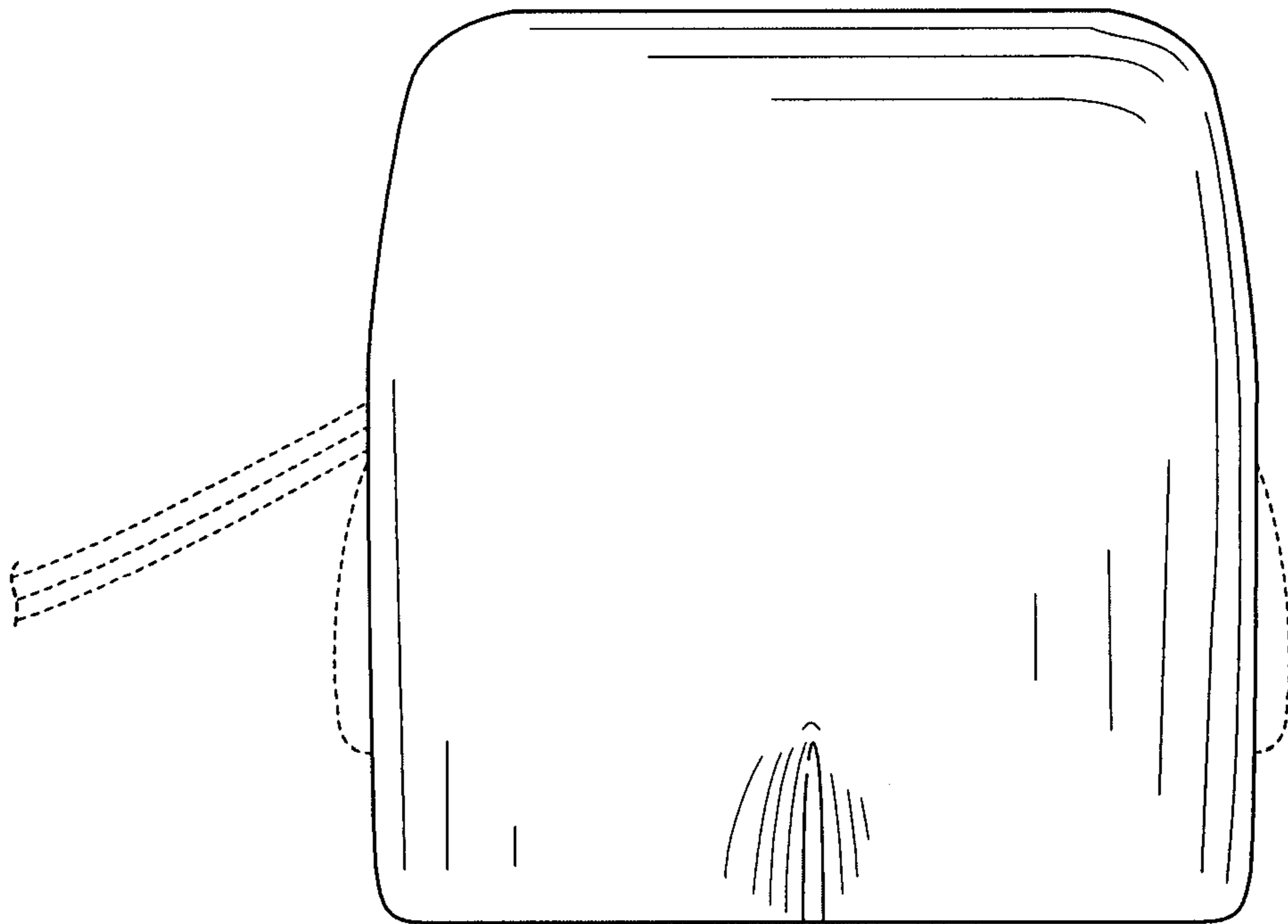


FIG. 4

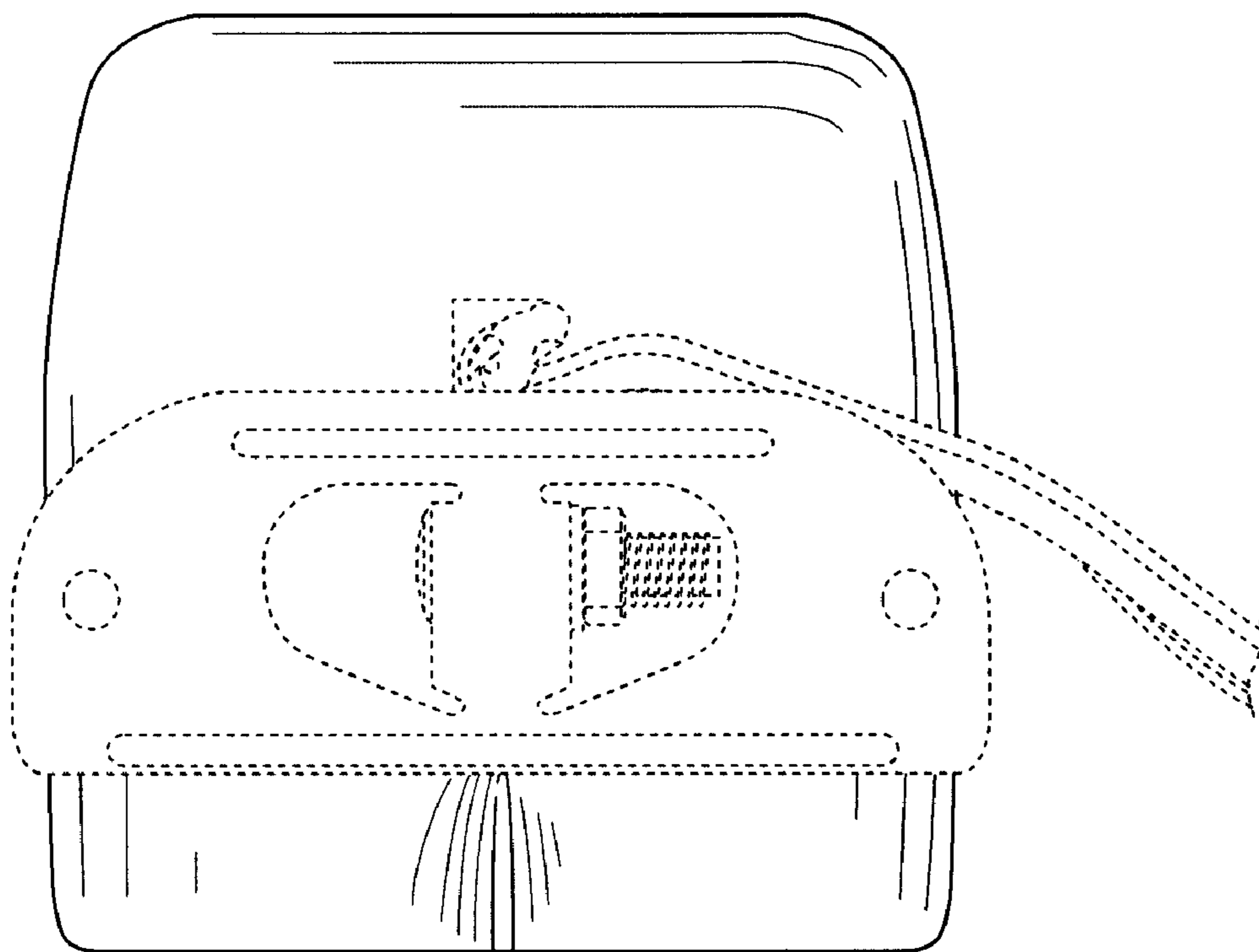


FIG. 5

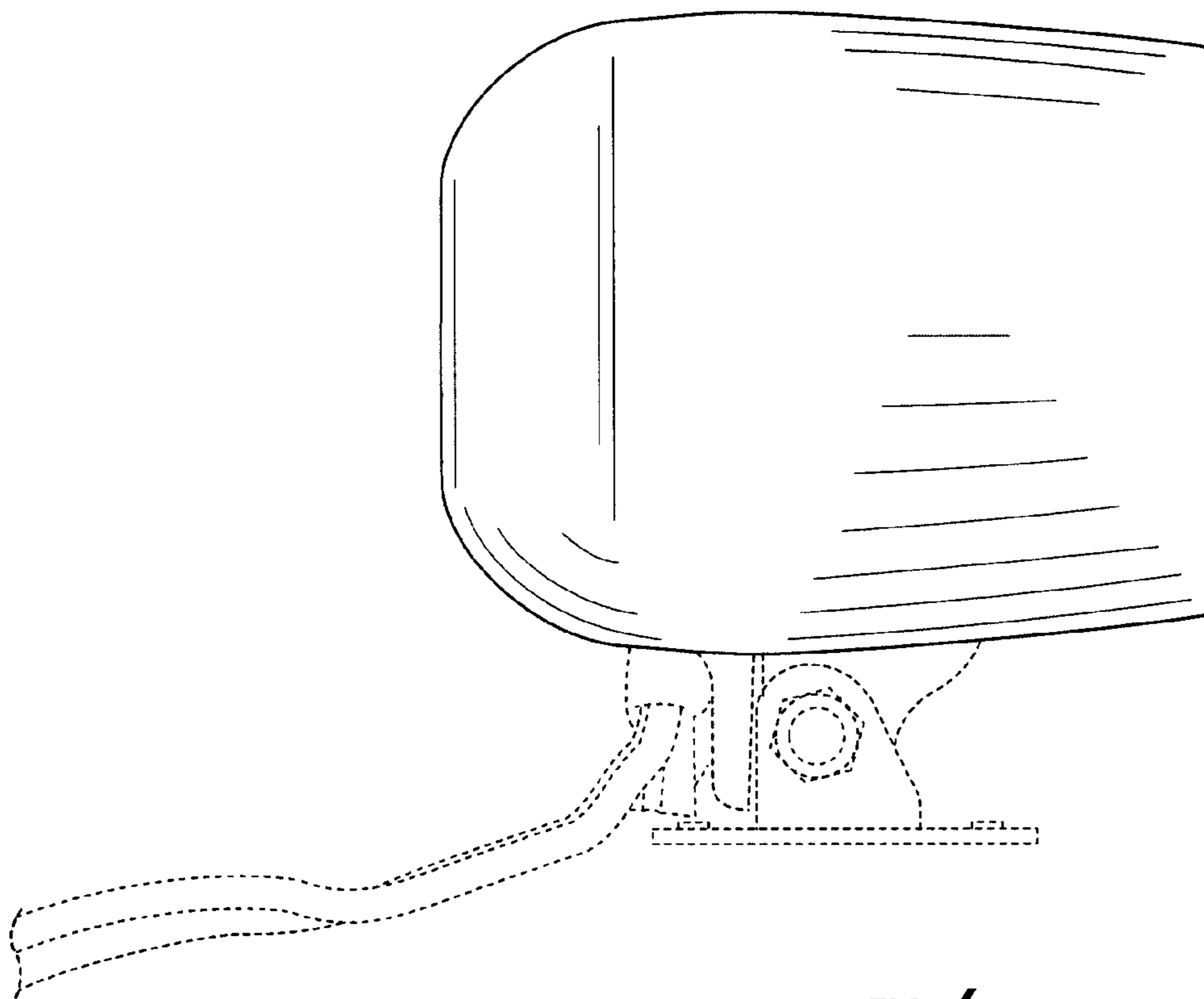


FIG. 6