



US00D512335S

(12) **United States Design Patent**
Chang

(10) **Patent No.: US D512,335 S**

(45) **Date of Patent: ** Dec. 6, 2005**

(54) **ROAD MARKER DEVICE**

(76) **Inventor: Shou Lin Chang**, 3F, No. 34, Avenue
6, Lane 133, Sec. 4, Nanking East
Road, Taipei 10508 (TW)

(**) **Term: 14 Years**

(21) **Appl. No.: 29/222,024**

(22) **Filed: Jan. 25, 2005**

(51) **LOC (8) Cl. 10-05**

(52) **U.S. Cl. D10/113**

(58) **Field of Search** D26/85, 44, 36,
D26/28, 124; D10/114, 113, 109, 104; 404/9,
72, 16, 12-15; 362/311; 359/547, 531;
340/908, 908.1, 815.45, 332; 116/63

(56) **References Cited**

U.S. PATENT DOCUMENTS

D59,809 S	*	11/1921	Benham	D10/109
D168,805 S	*	2/1953	Porter	D26/36
3,223,834 A	*	12/1965	Lorio	362/317
3,516,337 A	*	6/1970	Gunther	404/9
4,577,992 A	*	3/1986	Jefferies	404/16
4,759,735 A	*	7/1988	Pagnol et al.	441/16
D306,767 S	*	3/1990	Ziaylek, Jr.	D26/36
5,002,424 A	*	3/1991	Hedgewick	404/14

5,354,143 A	*	10/1994	Lindner	404/9
D360,845 S	*	8/1995	Smith et al.	D10/114
D400,274 S	*	10/1998	Ziaylek et al.	D26/36
D401,368 S	*	11/1998	Baader et al.	D26/36
6,428,238 B2	*	8/2002	Hedgewick	404/16
D492,907 S	*	7/2004	Attar	D10/113
D493,117 S	*	7/2004	Huang	D10/114

* cited by examiner

Primary Examiner—Cathron C. Brooks

Assistant Examiner—Austin Murphy

(74) *Attorney, Agent, or Firm*—Charles E. Baxley

(57) **CLAIM**

The ornamental design for a road marker device, as shown and described.

DESCRIPTION

FIG. 1 is an upper perspective view of a road marker device showing my new design;

FIG. 2 is a front elevational view thereof;

FIG. 3 is a rear elevational view thereof;

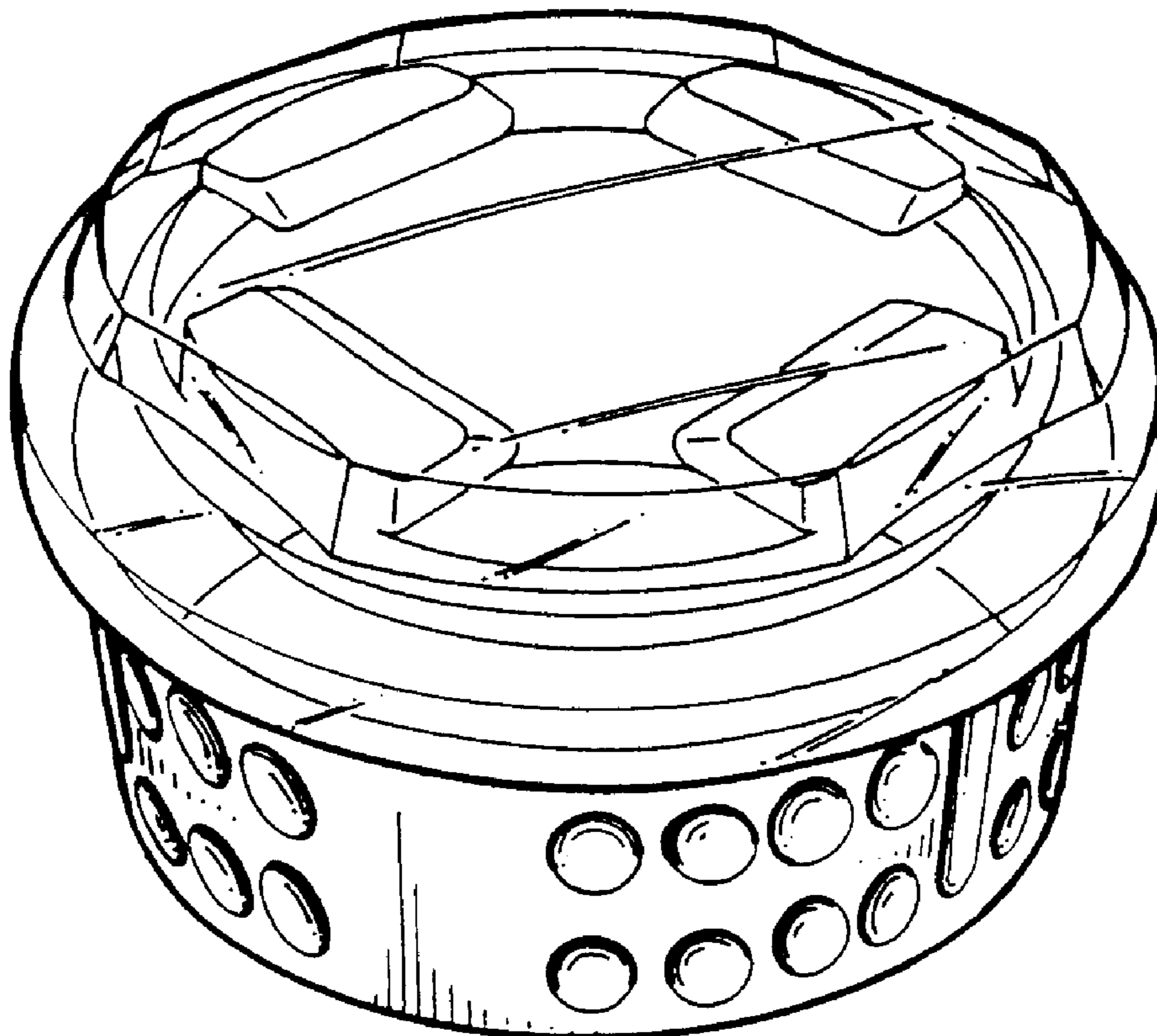
FIG. 4 is a top plan view thereof;

FIG. 5 is a bottom plan view thereof;

FIG. 6 is a left side elevational view thereof; and,

FIG. 7 is a right side elevational view thereof.

1 Claim, 4 Drawing Sheets



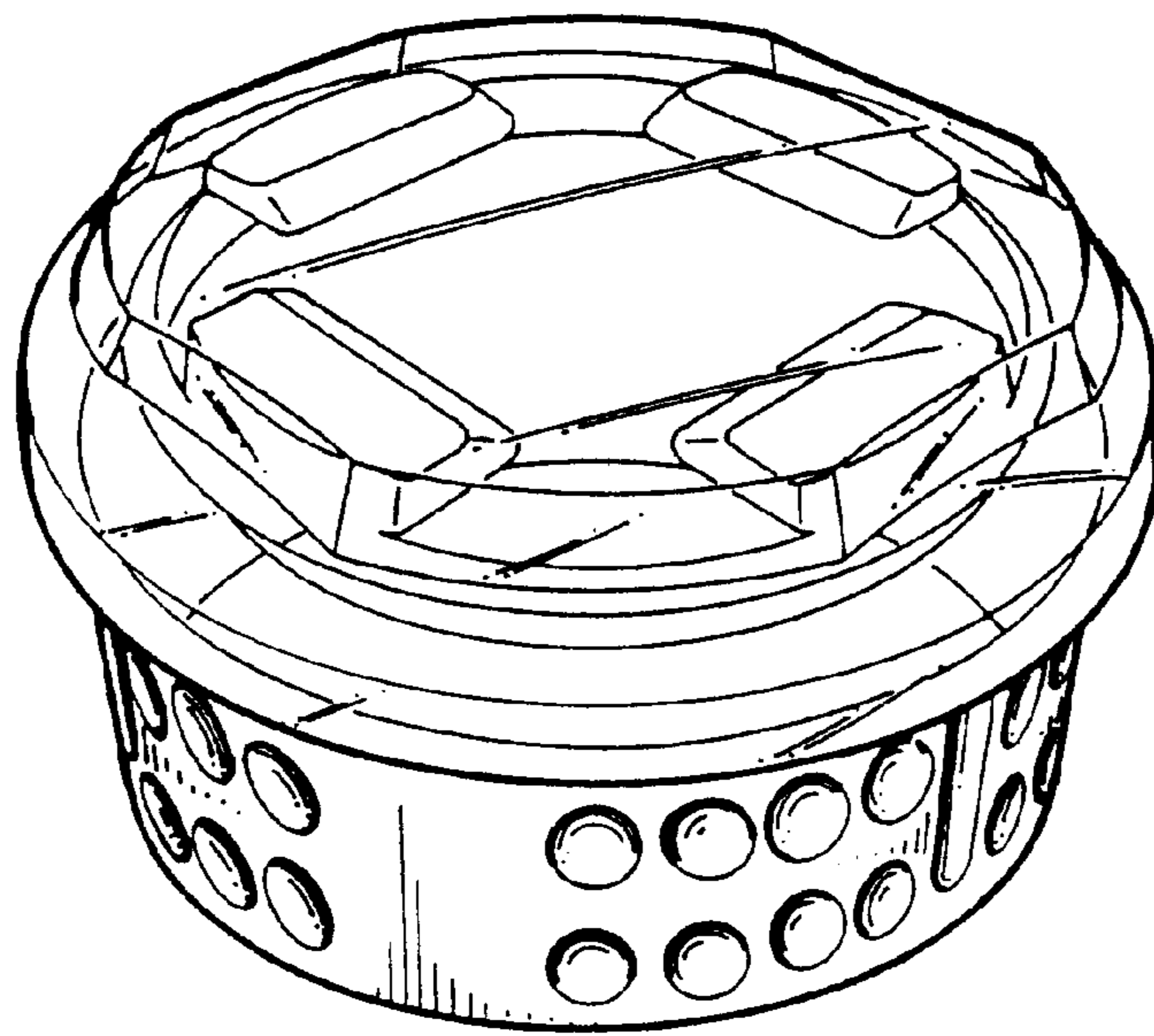


FIG. 1

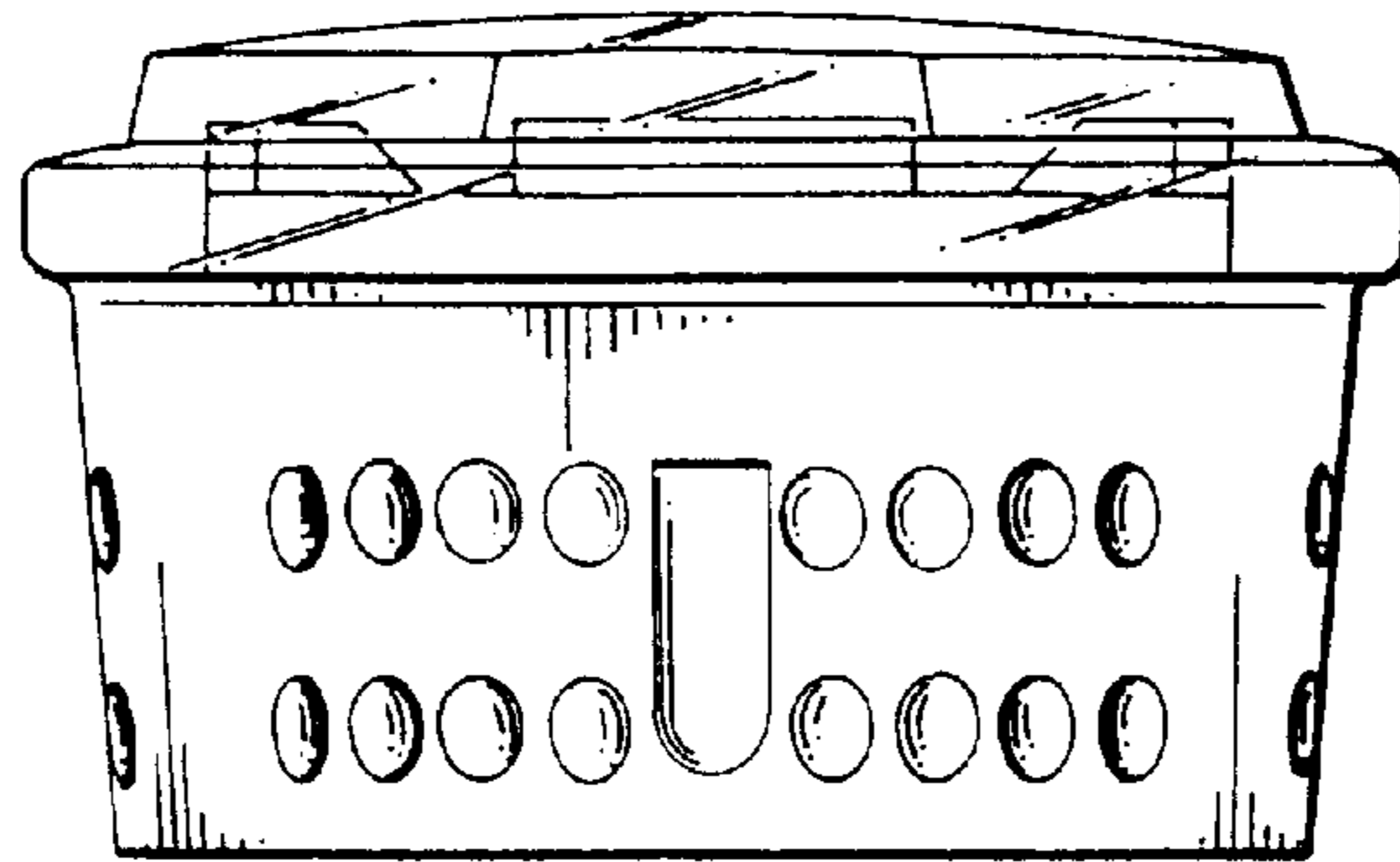


FIG. 2

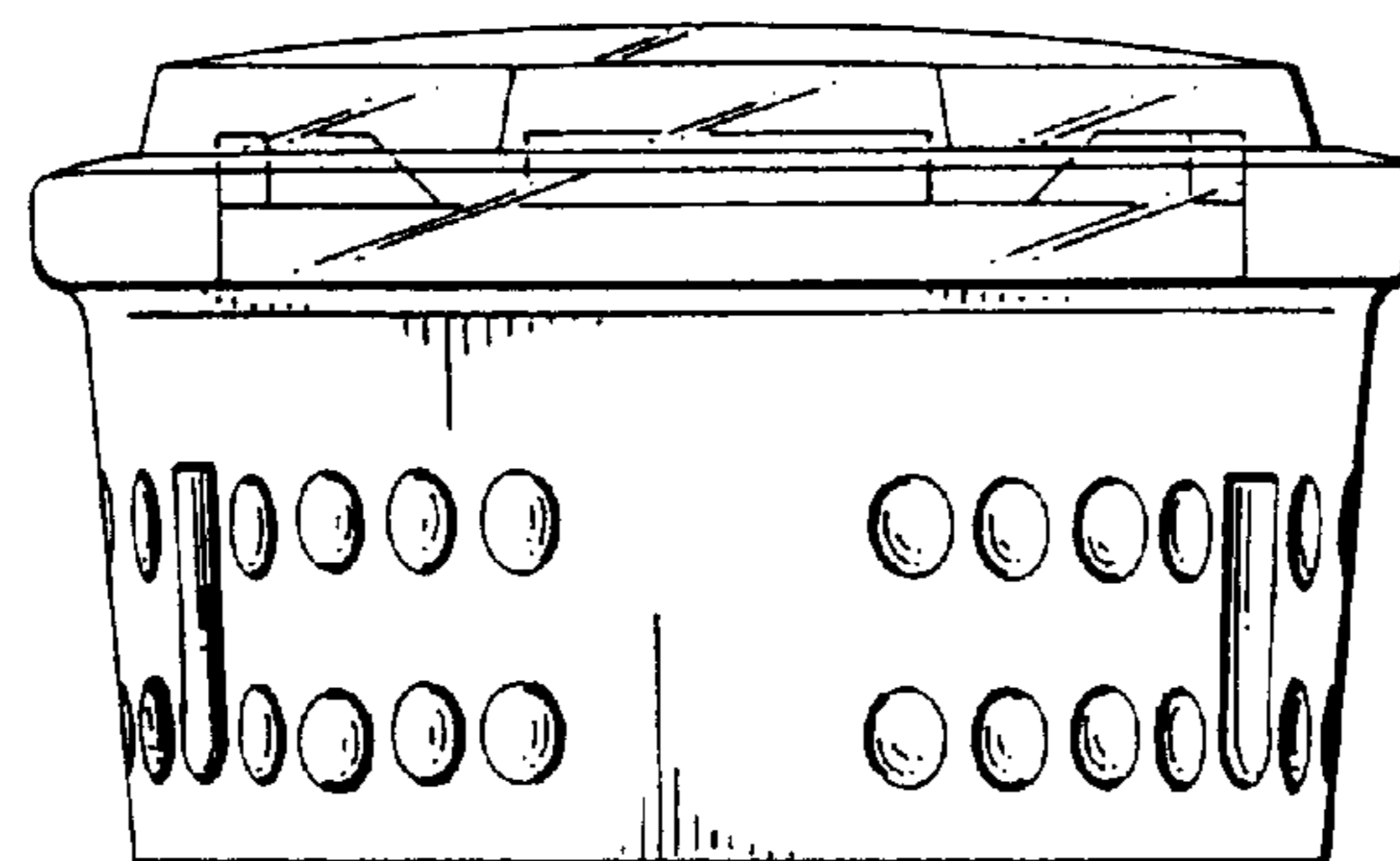


FIG. 3

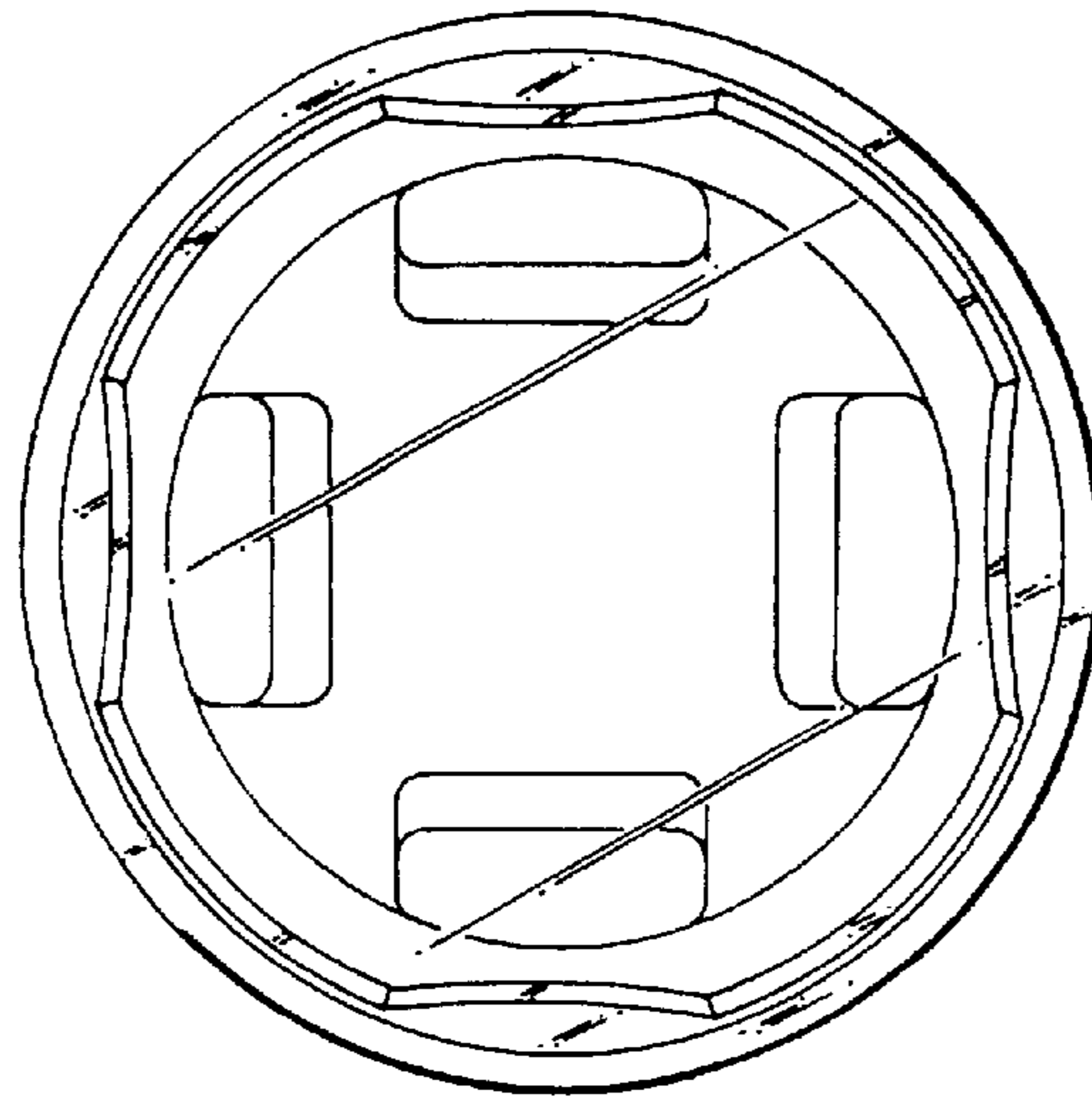


FIG. 4

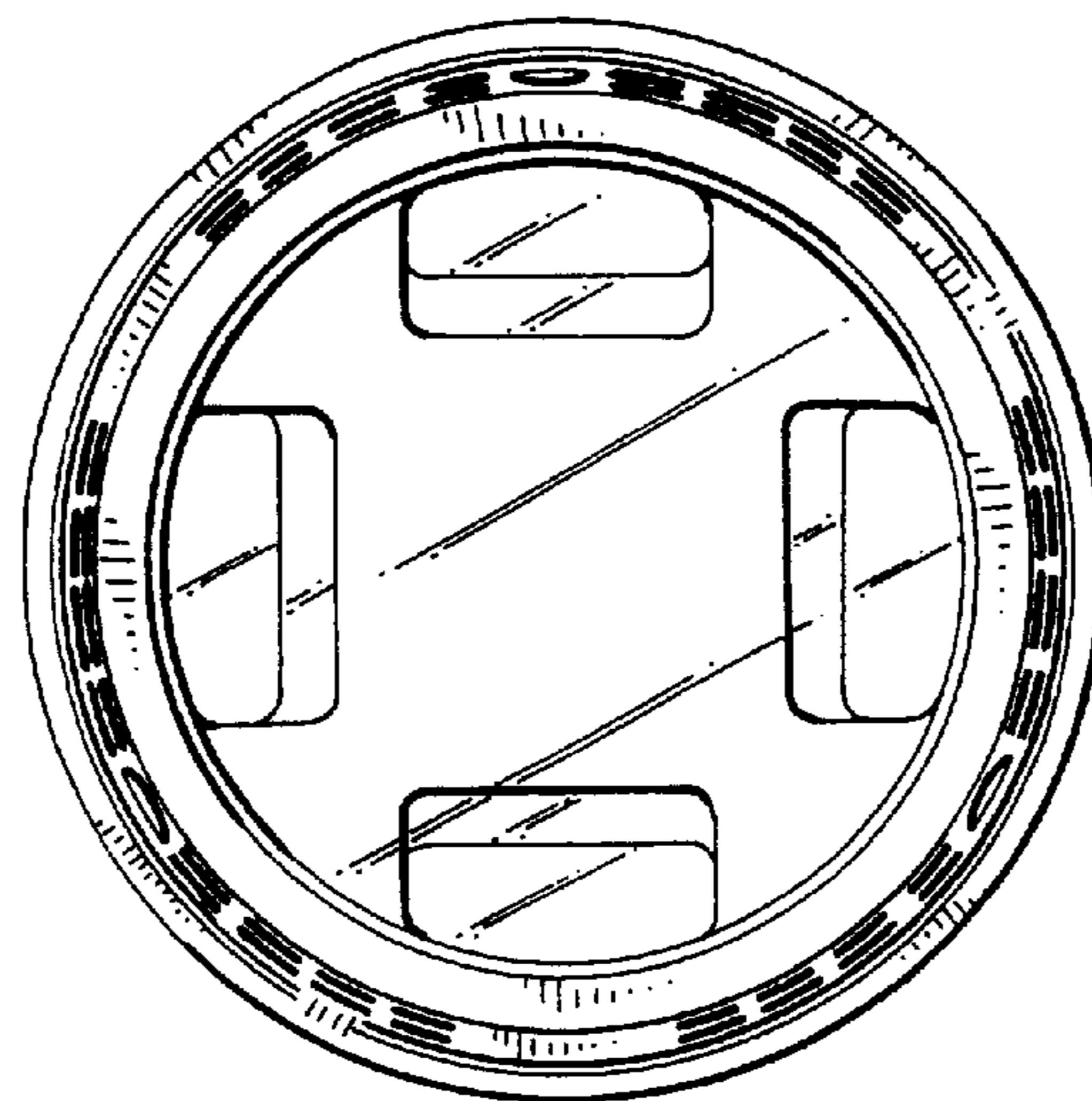


FIG. 5

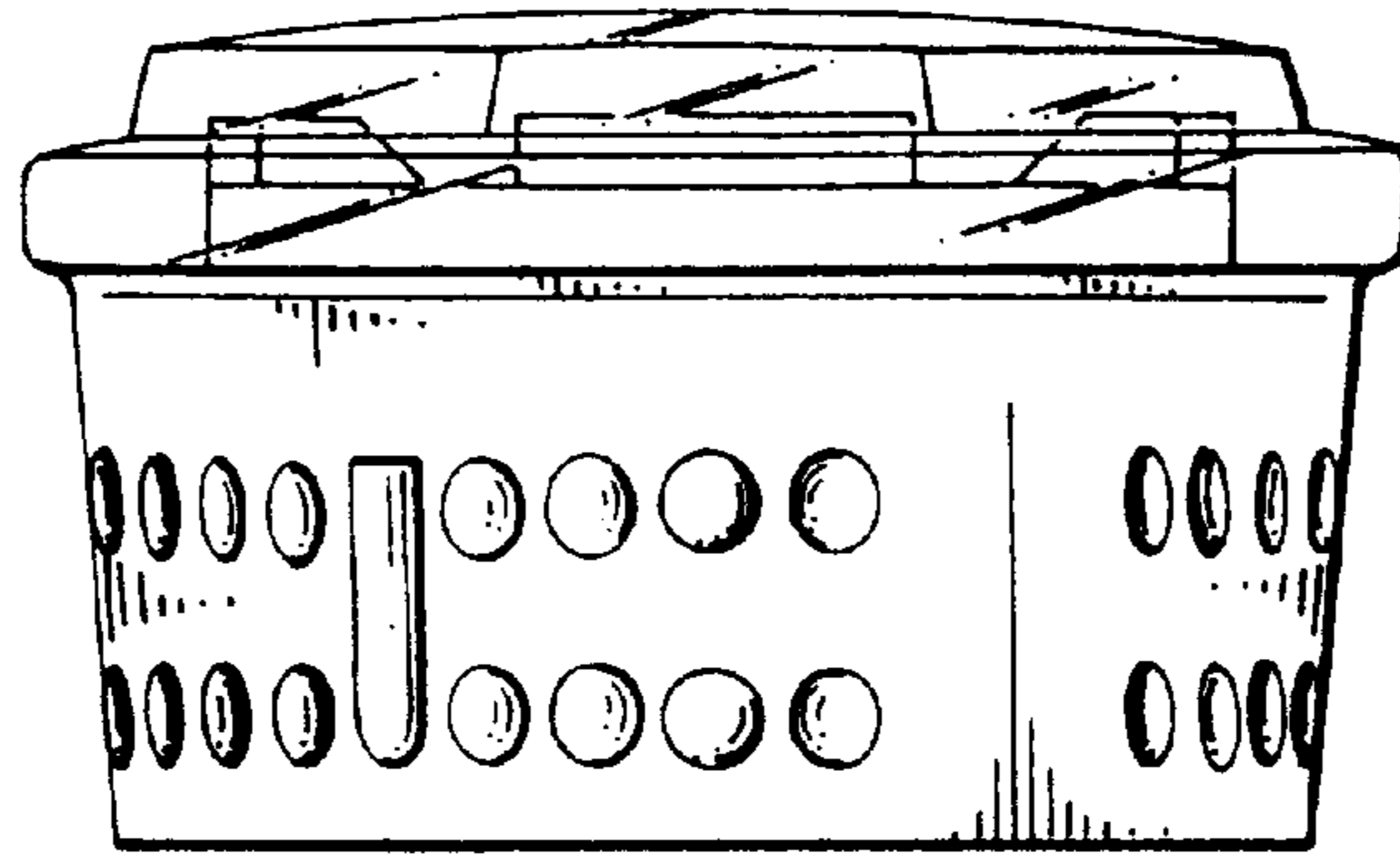


FIG. 6

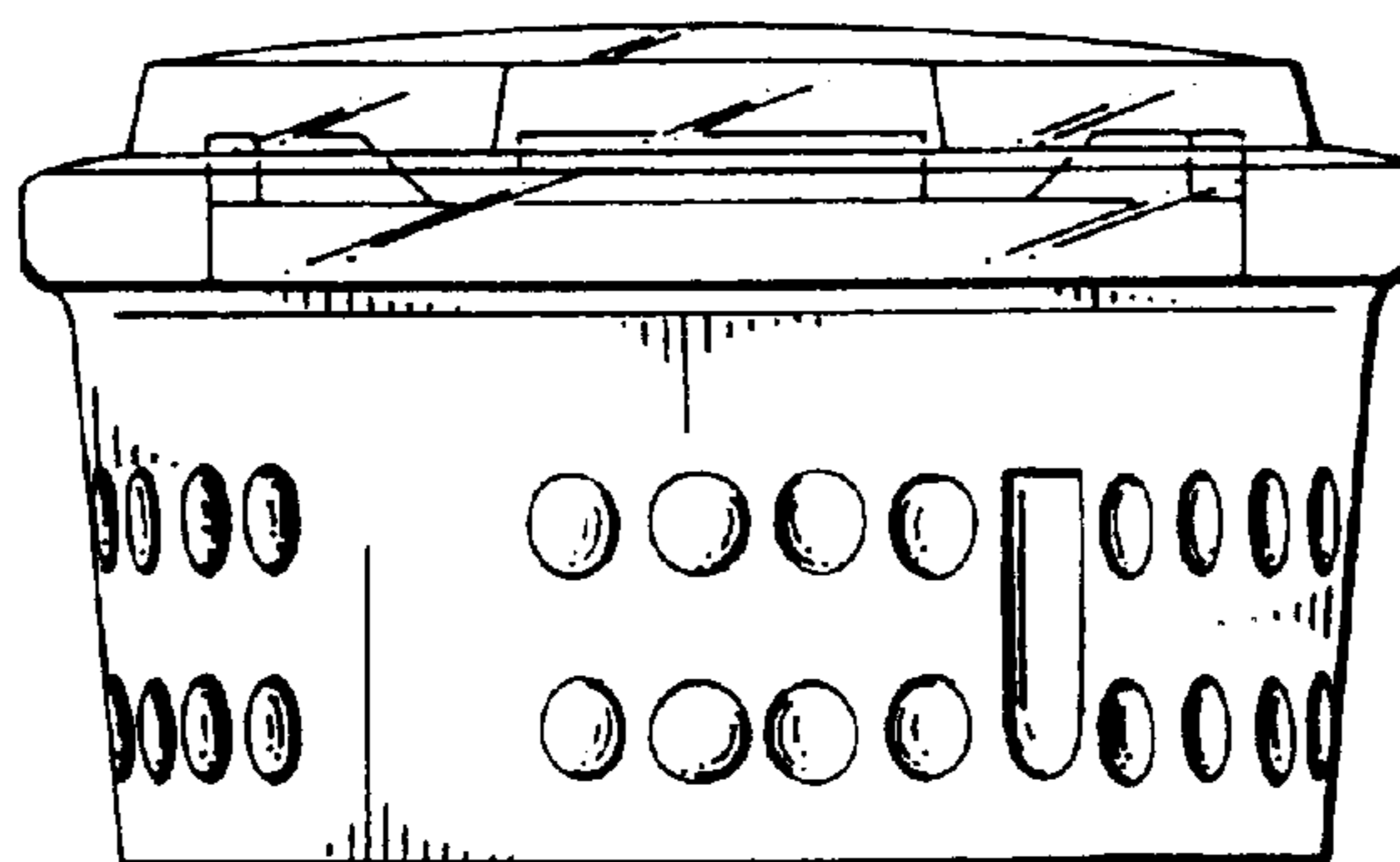


FIG. 7