



US00D512334S

(12) **United States Design Patent**
Tang

(10) **Patent No.:** **US D512,334 S**

(45) **Date of Patent:** **** Dec. 6, 2005**

(54) **PRESSURE GAUGE**

6,636,155 B2 * 10/2003 Elizondo-Salinas 73/732

(75) Inventor: **Ming-Tsung Tang**, Taichung (TW)

* cited by examiner

(73) Assignee: **Sheen Kong Industrial Co., Ltd.**,
Taichung (TW)

Primary Examiner—Antoine D. Davis

(74) *Attorney, Agent, or Firm*—Charles E. Baxley

(**) Term: **14 Years**

(57) **CLAIM**

The ornamental design for a pressure gauge, as shown and described.

(21) Appl. No.: **29/205,698**

(22) Filed: **May 19, 2004**

DESCRIPTION

(51) **LOC (8) Cl.** **10-04**

FIG. 1 is a perspective view of a pressure gauge showing our new design;

(52) **U.S. Cl.** **D10/85**

FIG. 2 is a front elevational view thereof;

(58) **Field of Search** D10/83–86; 73/732–734

FIG. 3 is a left side elevational view thereof;

FIG. 4 is a right side elevational view thereof;

FIG. 5 is a top plan view thereof;

(56) **References Cited**

U.S. PATENT DOCUMENTS

D126,965 S * 5/1941 Graesser et al. D10/102

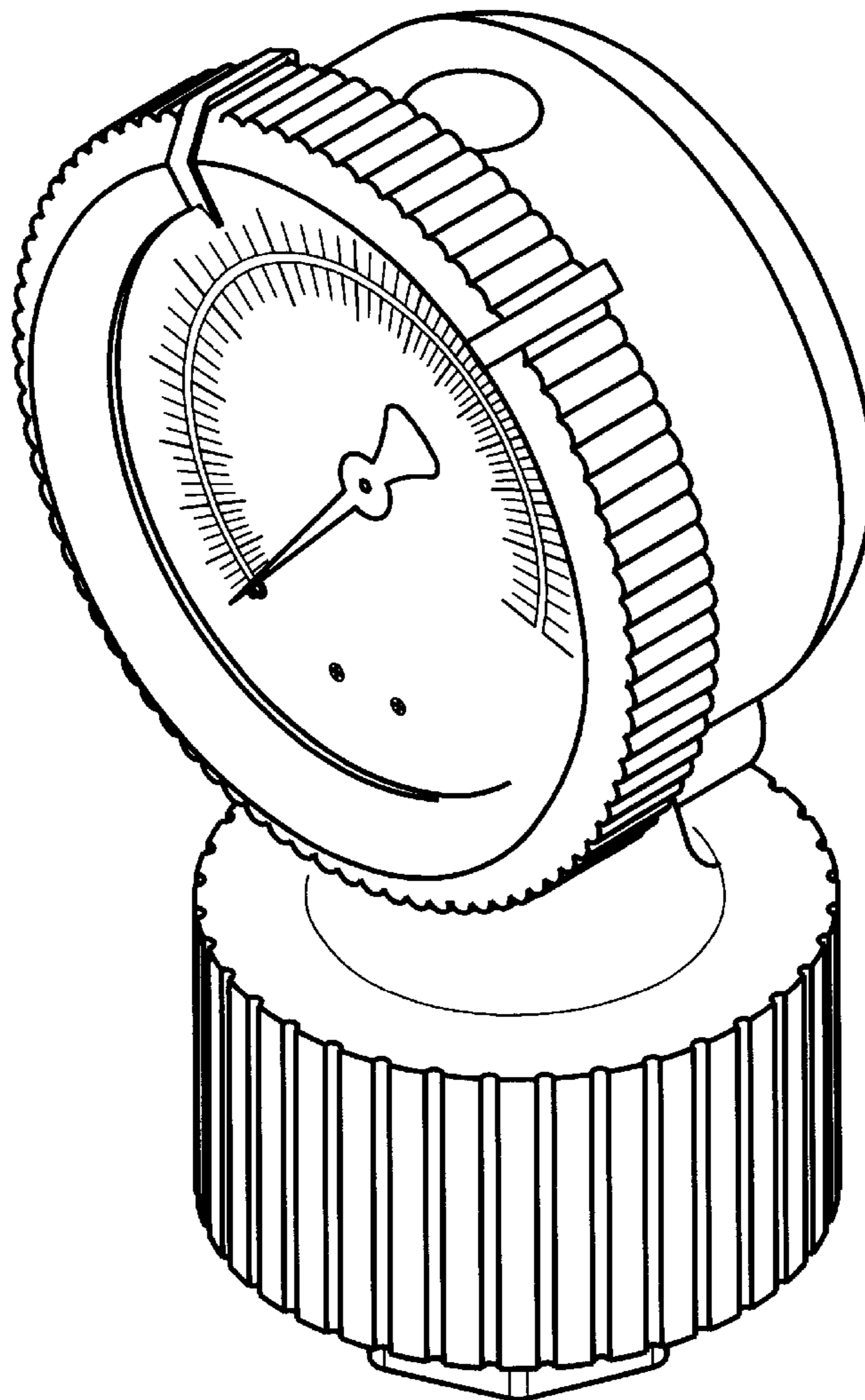
4,520,668 A * 6/1985 Allemano 73/732

6,530,281 B2 * 3/2003 Chou 73/733

FIG. 6 is a bottom plan view thereof; and,

FIG. 7 is a back elevational view thereof.

1 Claim, 7 Drawing Sheets



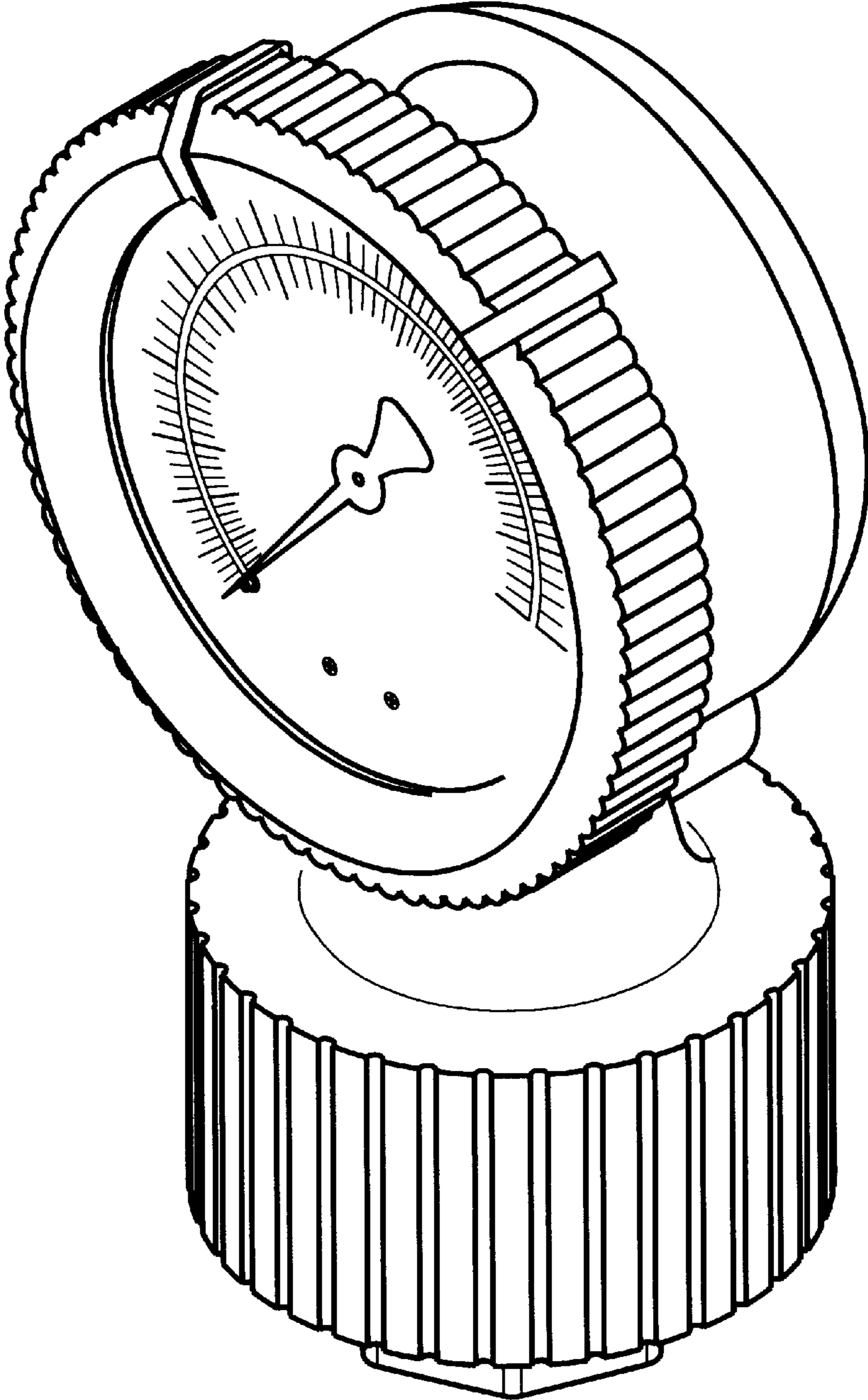


FIG.1

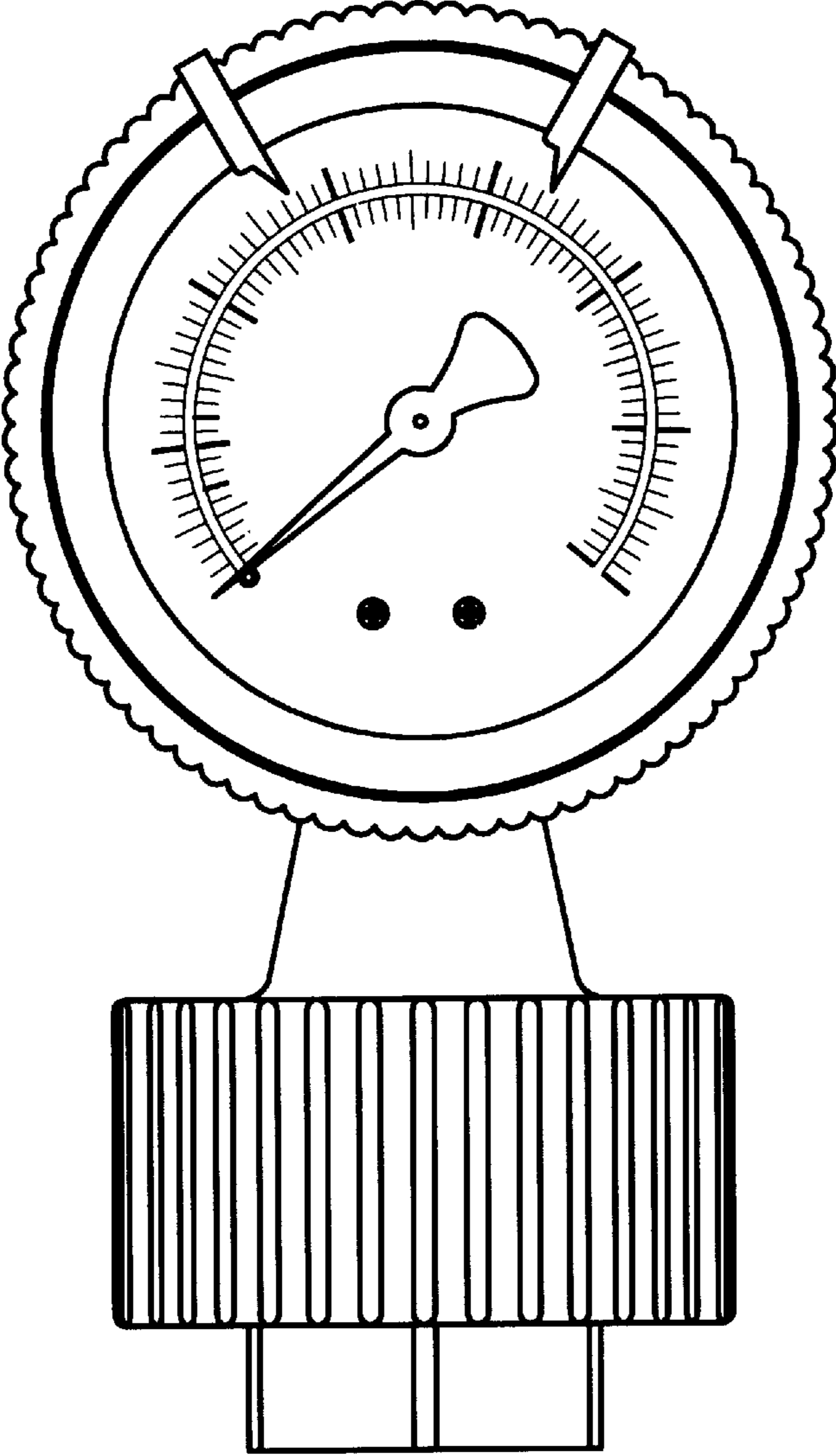


FIG.2

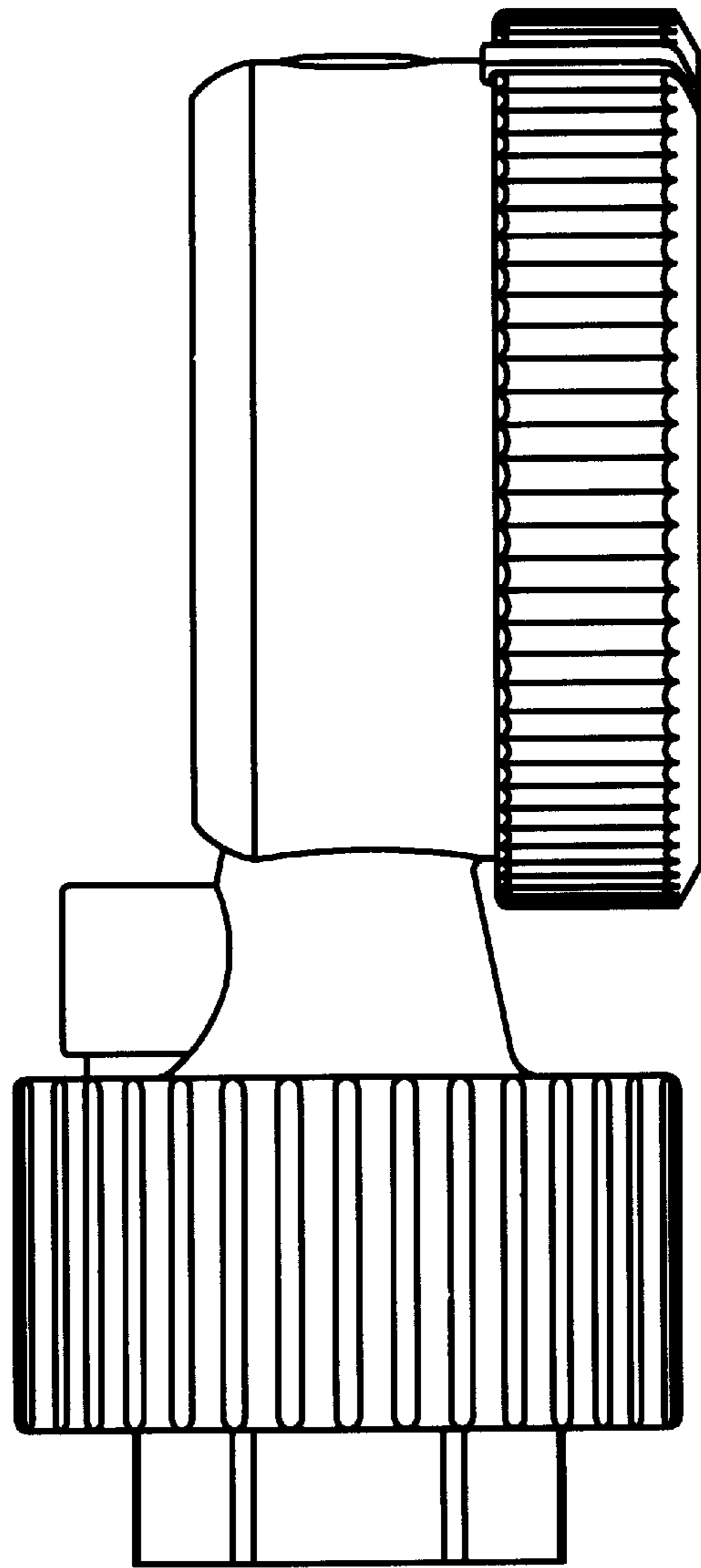


FIG.3

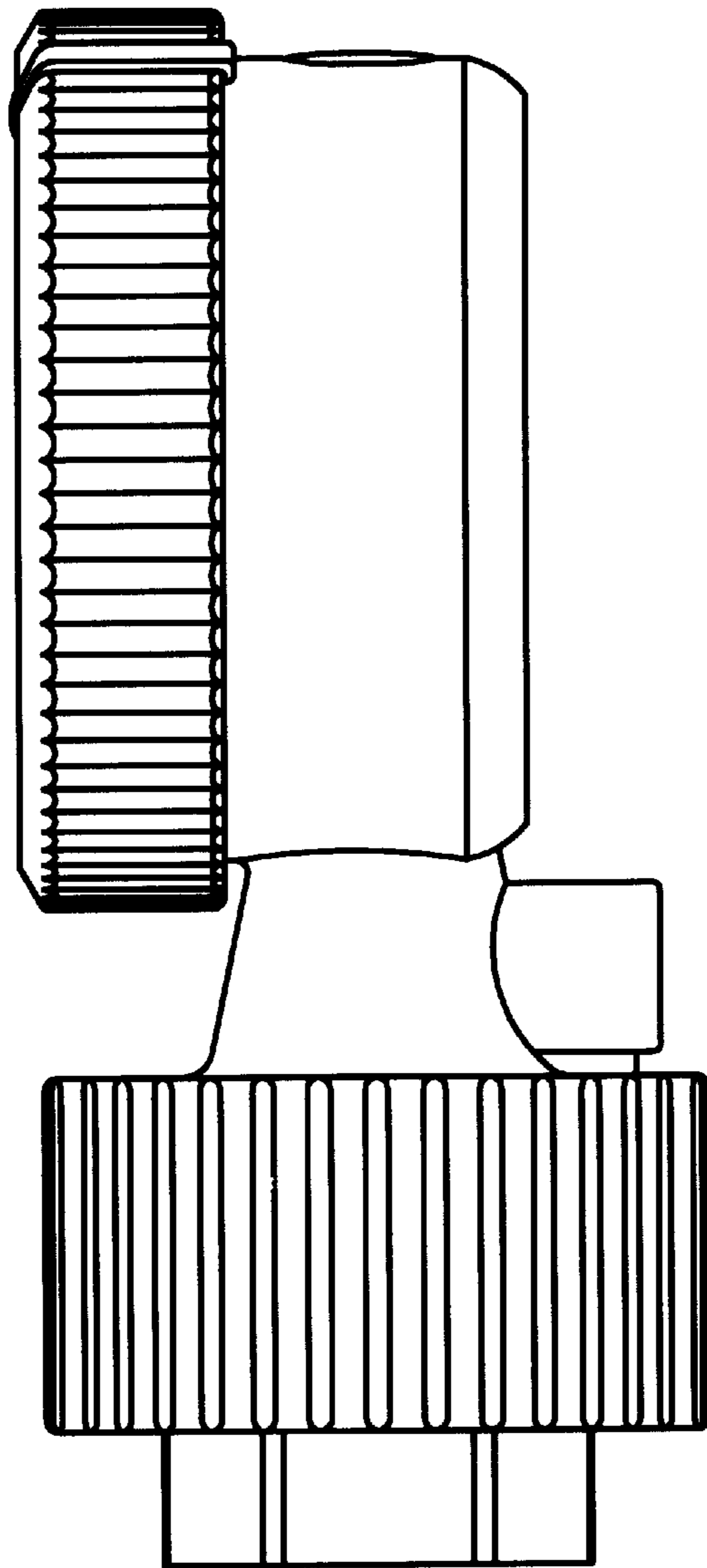


FIG.4

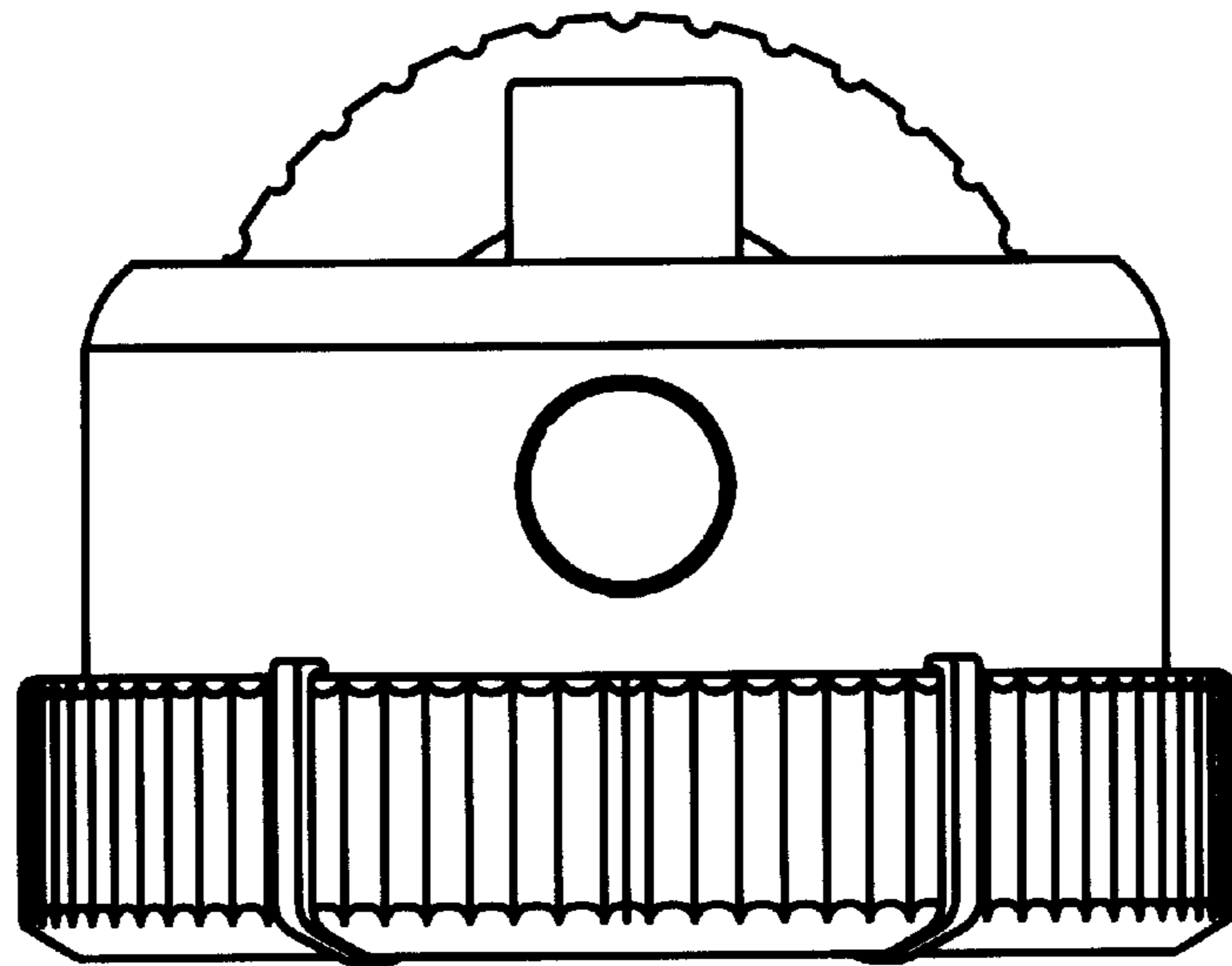


FIG.5

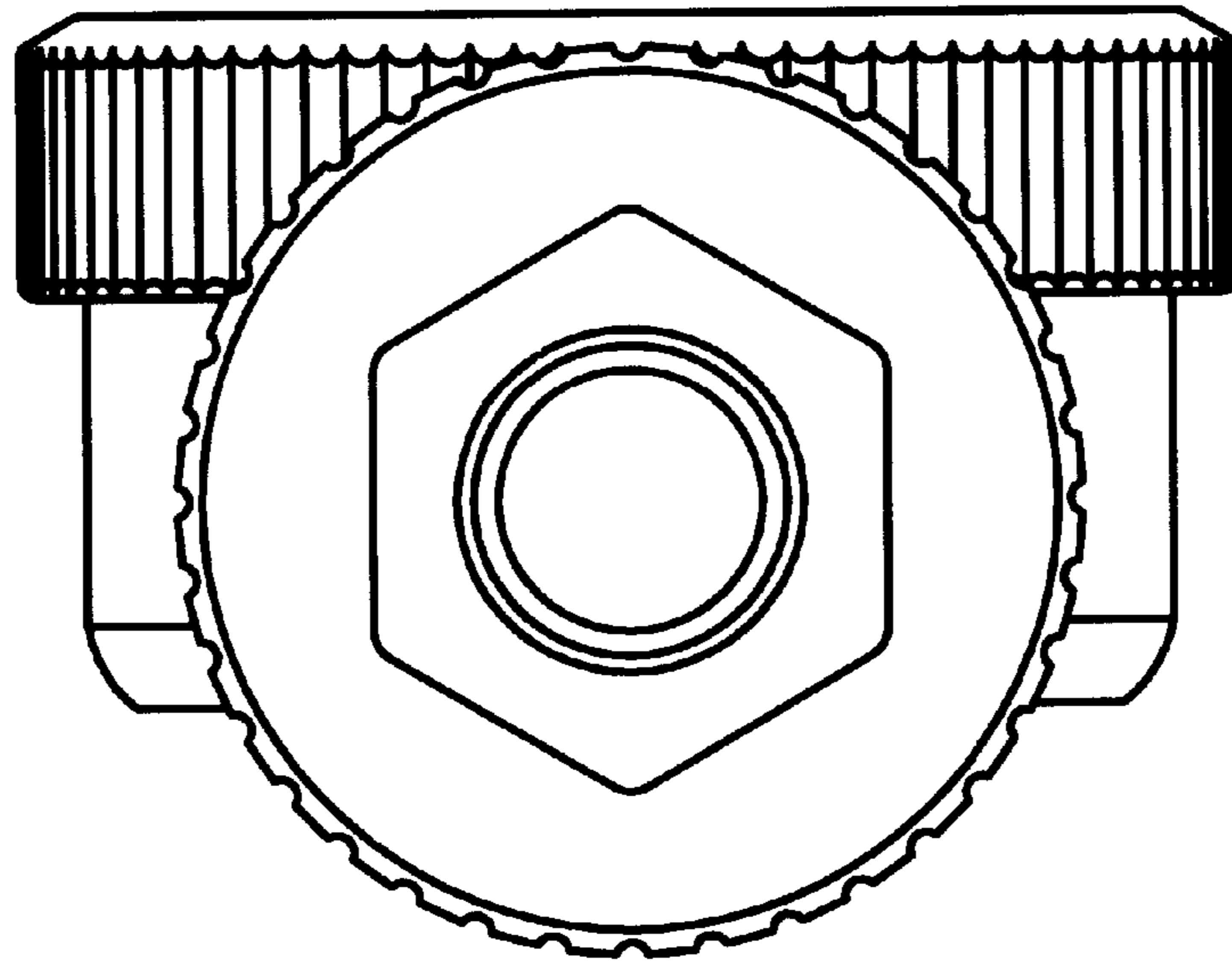


FIG.6

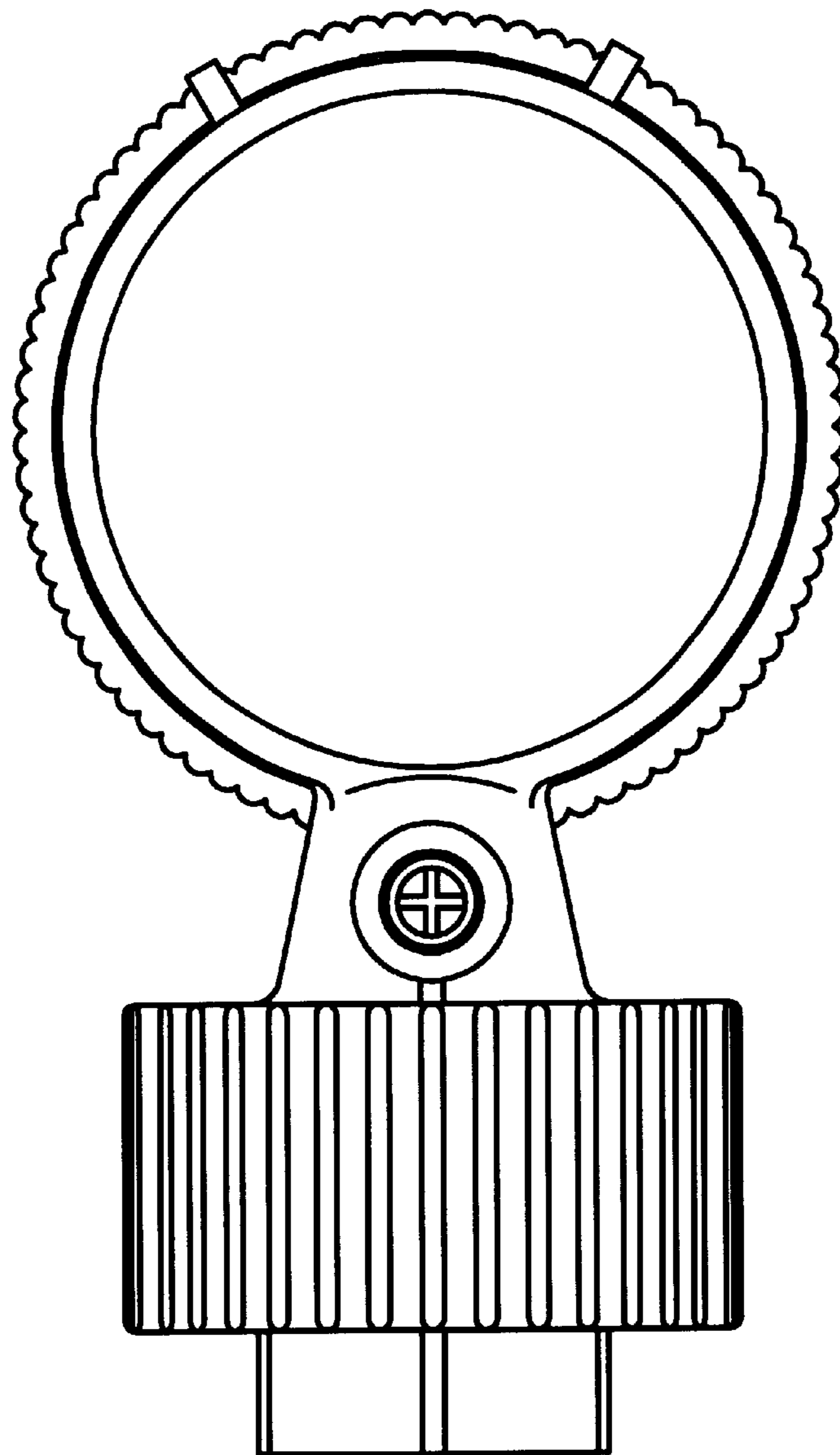


FIG.7