



US00D512331S

(12) **United States Design Patent** (10) **Patent No.:** **US D512,331 S**  
**Mann** (45) **Date of Patent:** **\*\* Dec. 6, 2005**

(54) **CLOCK CASE**

(76) **Inventor:** **Robert W. Mann**, HCR-3, Box 953,  
Tucson, AZ (US) 85739

(\*\*) **Term:** **14 Years**

(21) **Appl. No.:** **29/210,102**

(22) **Filed:** **Jul. 23, 2004**

(51) **LOC (8) Cl.** ..... **10-01**

(52) **U.S. Cl.** ..... **D10/16; D10/28**

(58) **Field of Search** ..... D10/1-29, 128;  
368/276-278, 285, 10, 316, 317, 280, 88,  
28, 82, 83, 179-183; D6/470-472

(56) **References Cited**

**U.S. PATENT DOCUMENTS**

D47,187 S	*	4/1915	Herschede	.....	D10/16
D48,689 S	*	3/1916	Jacques	.....	D10/16
1,676,030 A	*	7/1928	Helin	.....	368/228
D83,724 S	*	3/1931	Fortney	.....	D10/2
D98,086 S	*	1/1936	Pollard	.....	D6/471
D98,206 S	*	1/1936	Pollard	.....	D6/471
D240,118 S	*	6/1976	Elsen	.....	D10/16
D317,412 S	*	6/1991	LeVita	.....	D10/28
D319,787 S	*	9/1991	LeVita	.....	D10/1
D362,131 S	*	9/1995	Walters, III	.....	D6/401
D400,109 S		10/1998	Mann	.....	
D496,287 S	*	9/2004	Mann	.....	D10/16

**OTHER PUBLICATIONS**

Swiss Watch & Jewelry Journal, Feb., 1982, p. 212, item #2,  
clock.\*

European Jewelry, Jul. 1987, p. 40, clock, upper right.\*

\* cited by examiner

*Primary Examiner*—Lucy Lieberman

(74) *Attorney, Agent, or Firm*—Gavin J. Milczarek-Desai;  
Quarles & Brady Steich Lang LLP

(57) **CLAIM**

The ornamental design for a clock case, as shown and  
described.

**DESCRIPTION**

FIG. 1 is a perspective view of a clock case showing my  
design;

FIG. 2 is an elevational view of the front side thereof;

FIG. 3 is a side elevation taken from the right side of FIG.  
2;

FIG. 4 is an elevational view of the back side thereof;

FIG. 5 is a side elevation taken from the left side of FIG. 2;

FIG. 6 is a top plan view thereof;

FIG. 7 is a cross-sectional view taken from line 7 in FIG. 4;

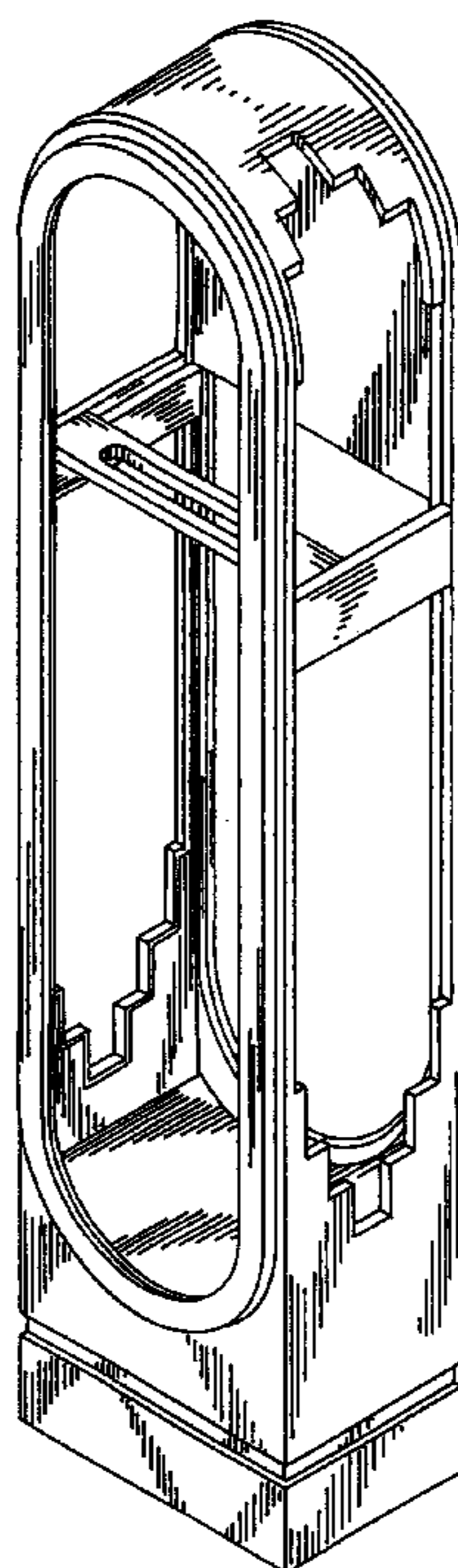
FIG. 8 is a cross-sectional view taken from line 8 in FIG. 4;

FIG. 9 is a bottom plan view thereof;

FIG. 10 is a cross sectional view taken from line 10 in FIG  
4; and,

FIG. 11 is a cross-sectional view taken from line 11 in FIG.  
4.

**1 Claim, 3 Drawing Sheets**



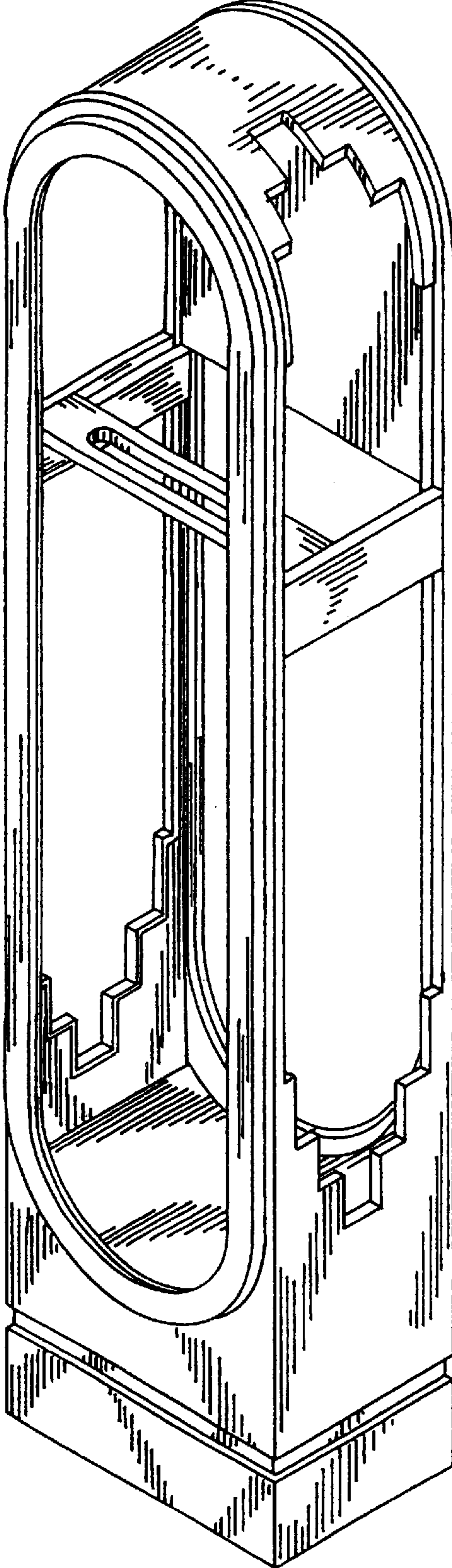


FIG. 1

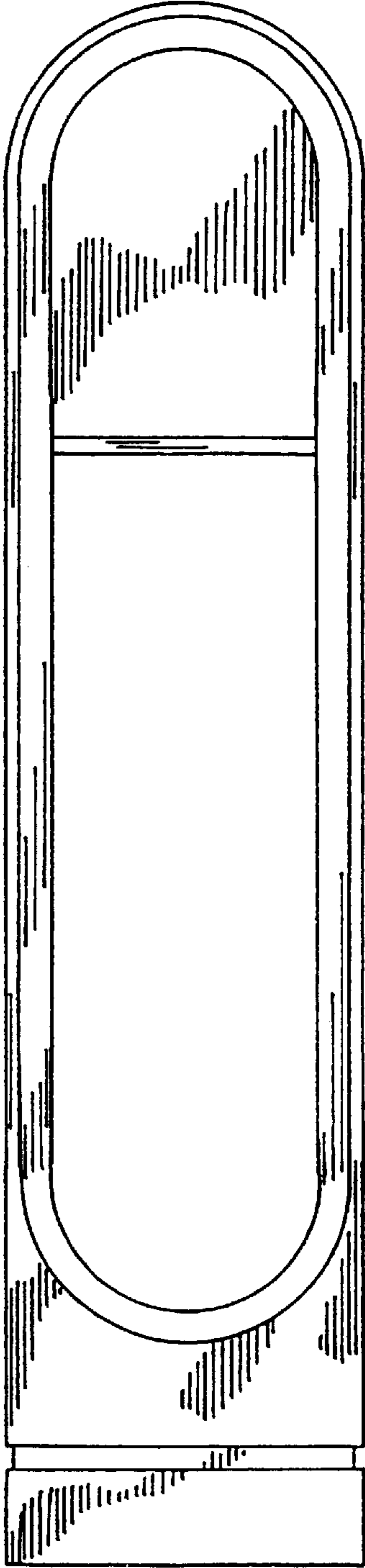


FIG. 2

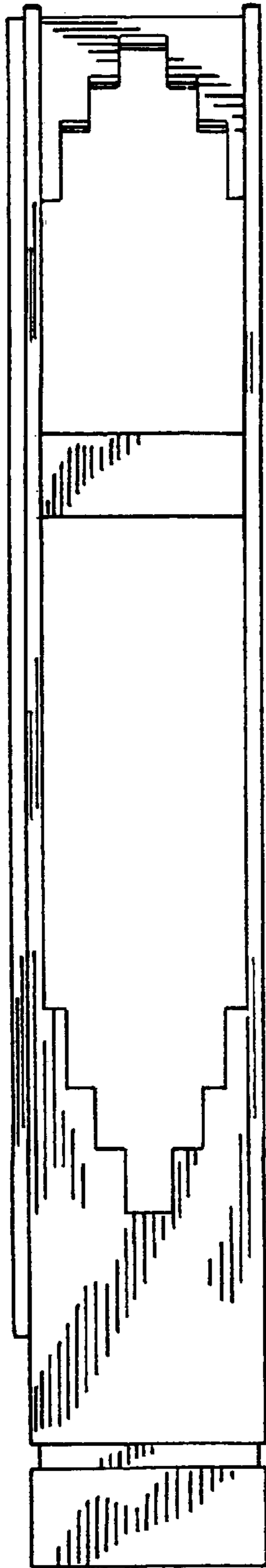


FIG. 3

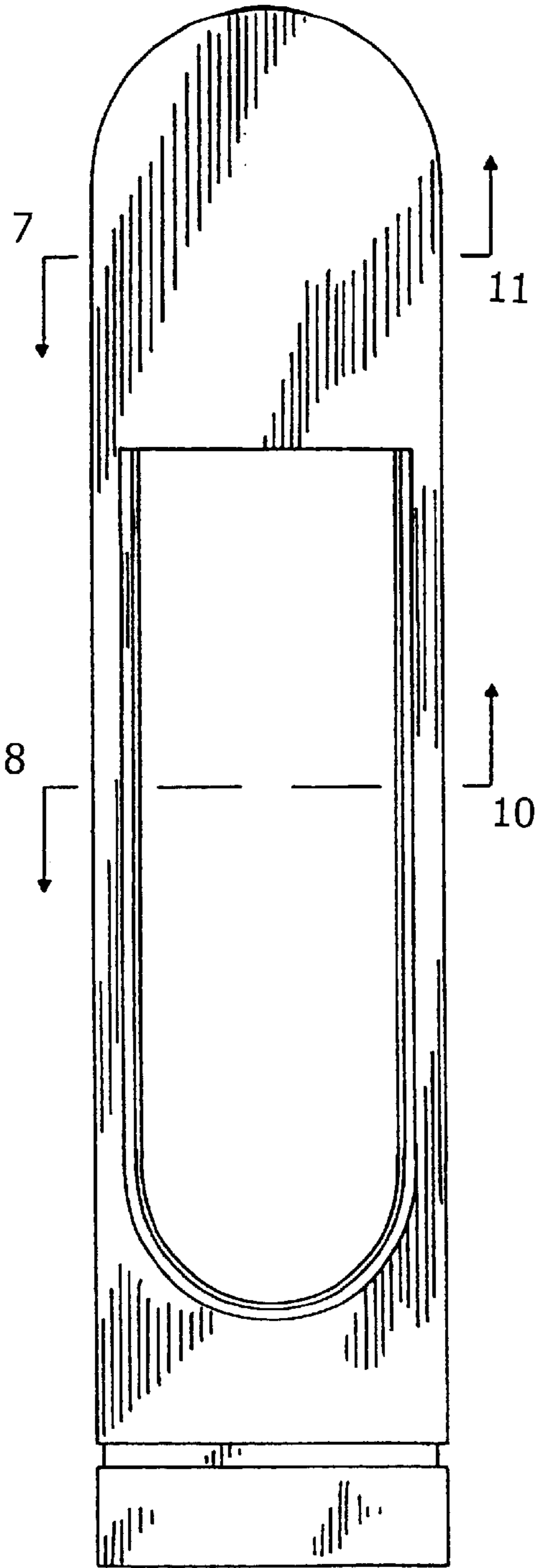


FIG. 4

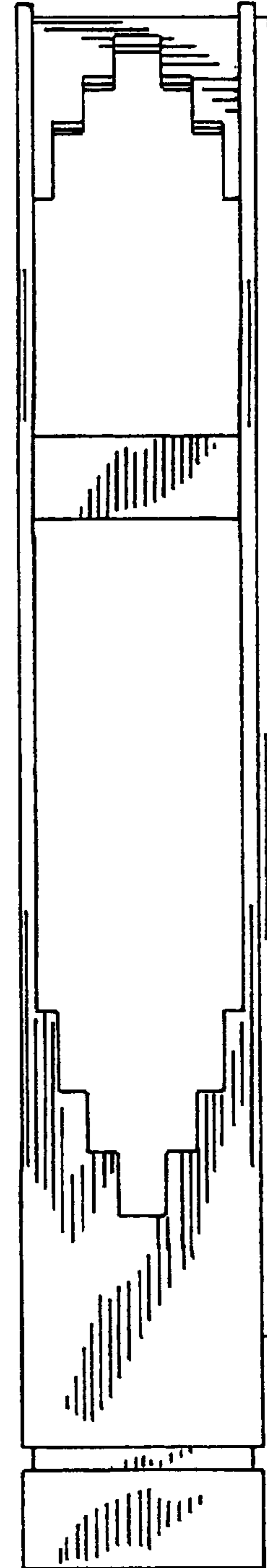


FIG. 5

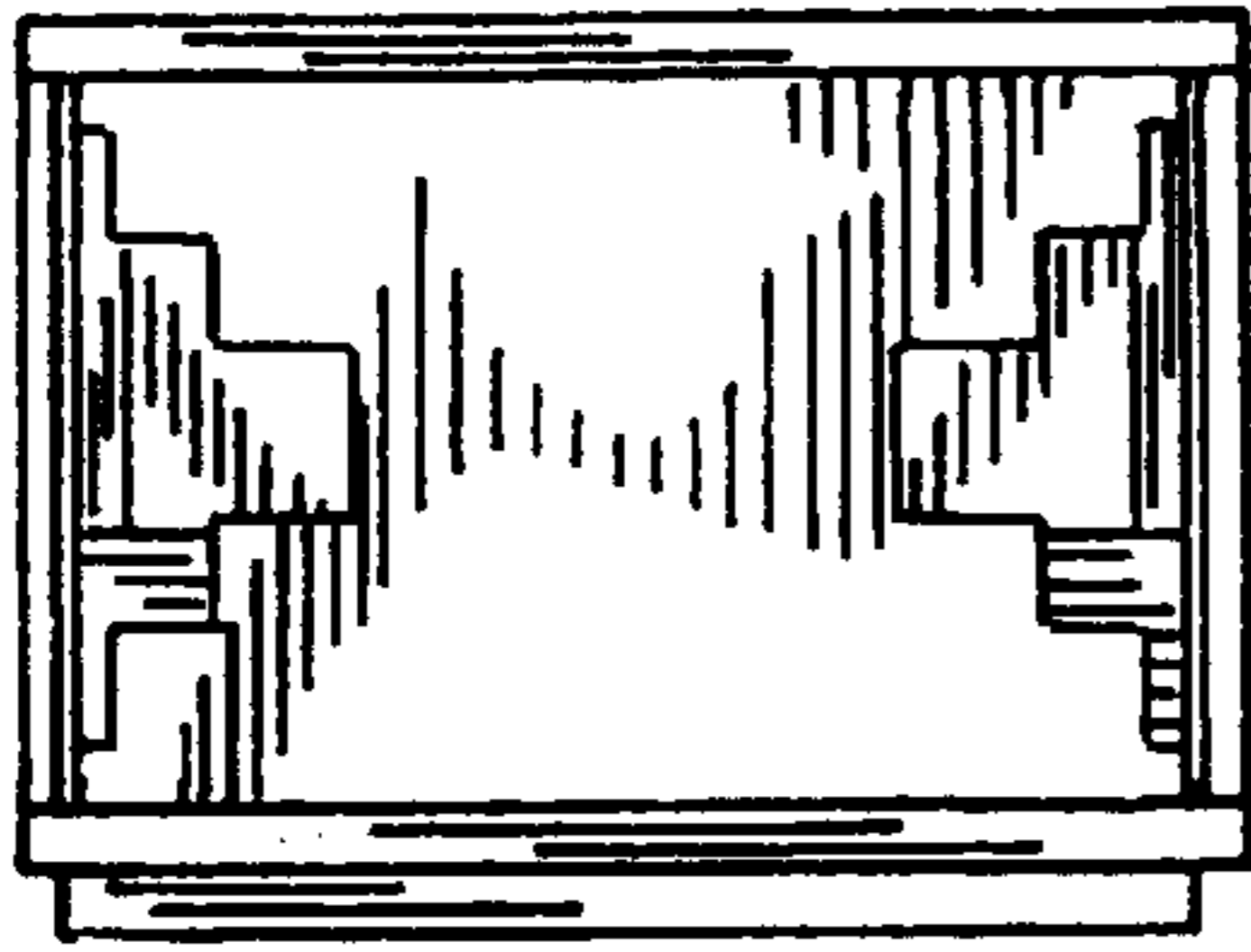


FIG. 6

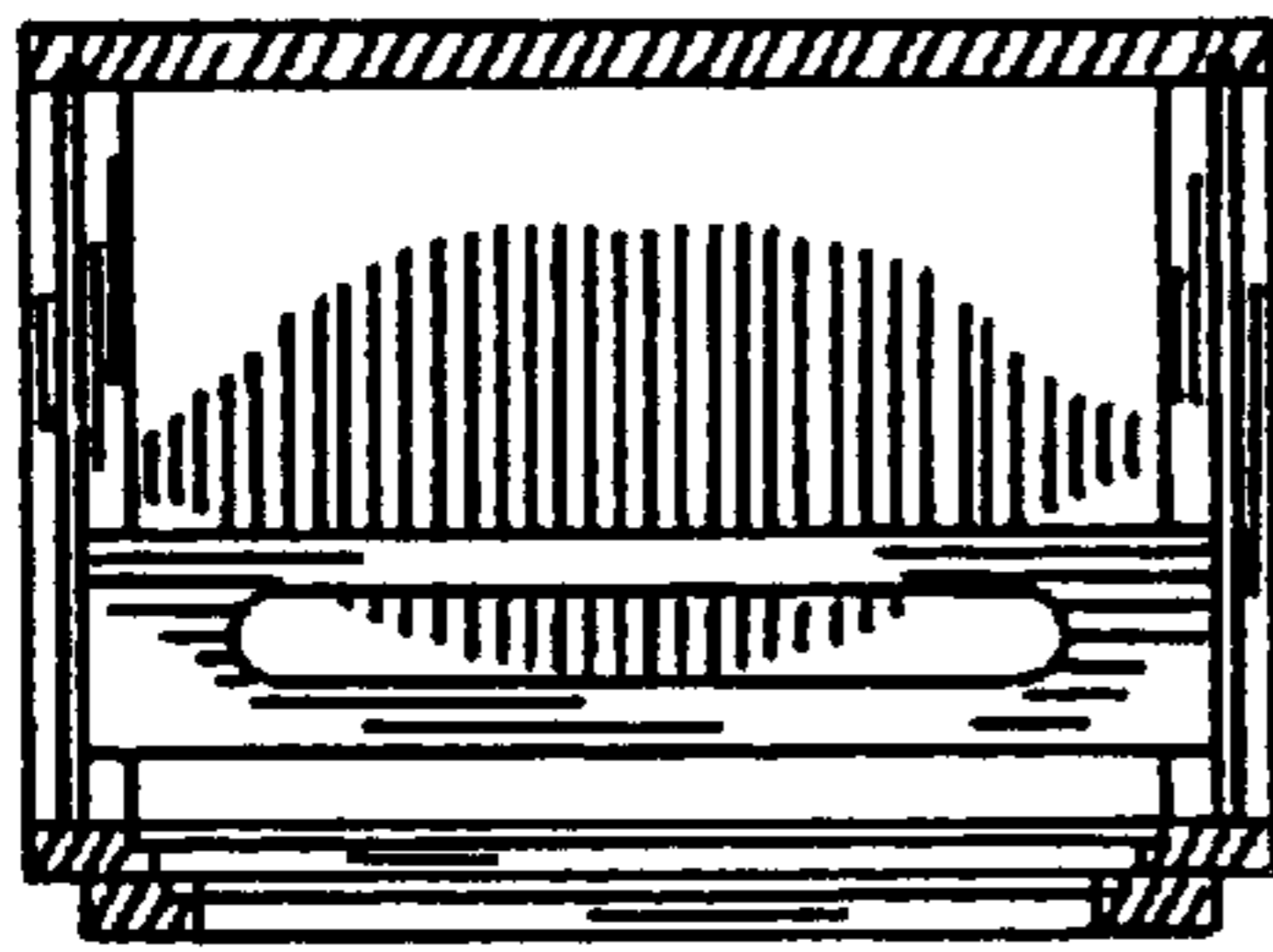


FIG. 7

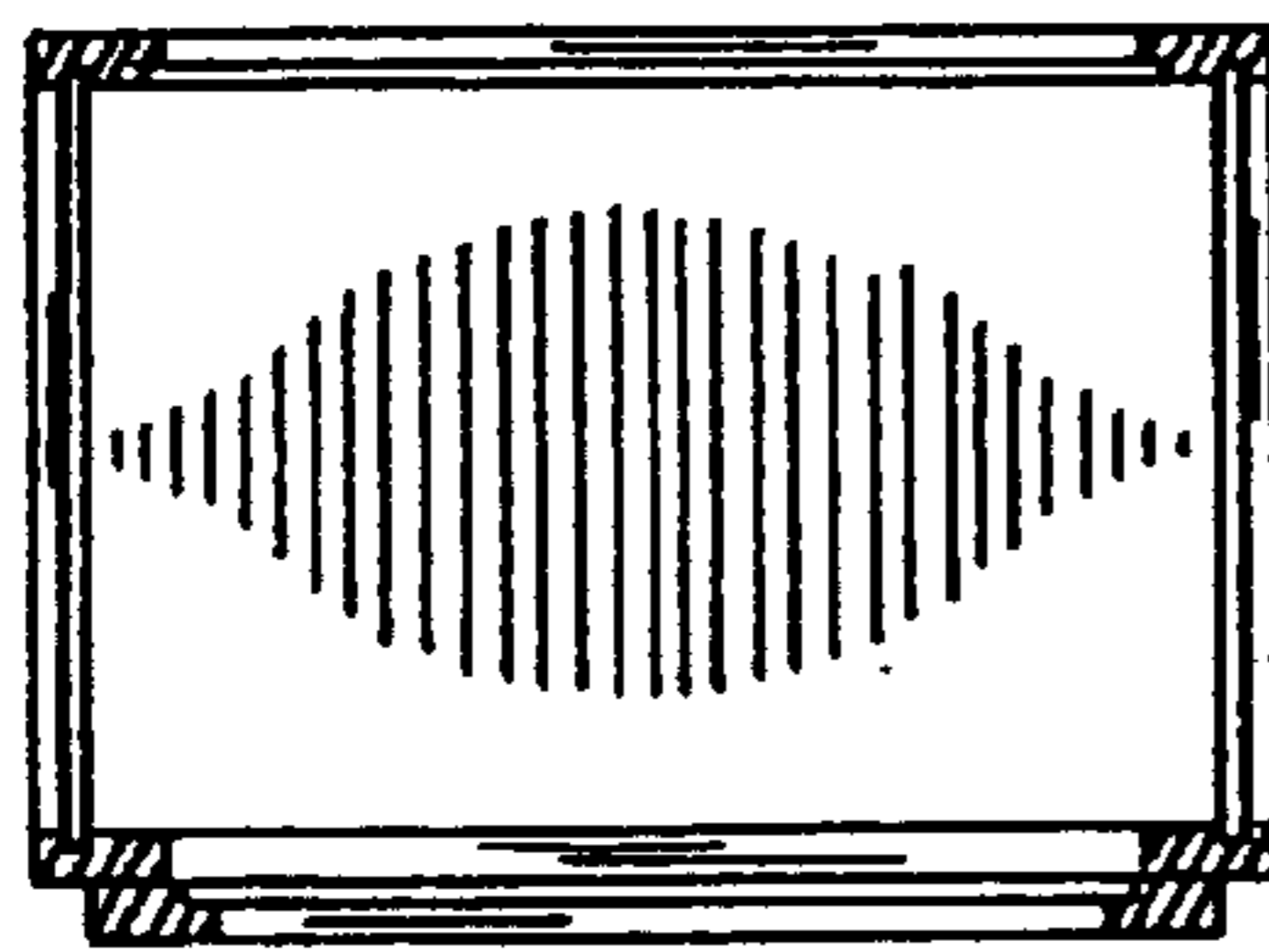


FIG. 8

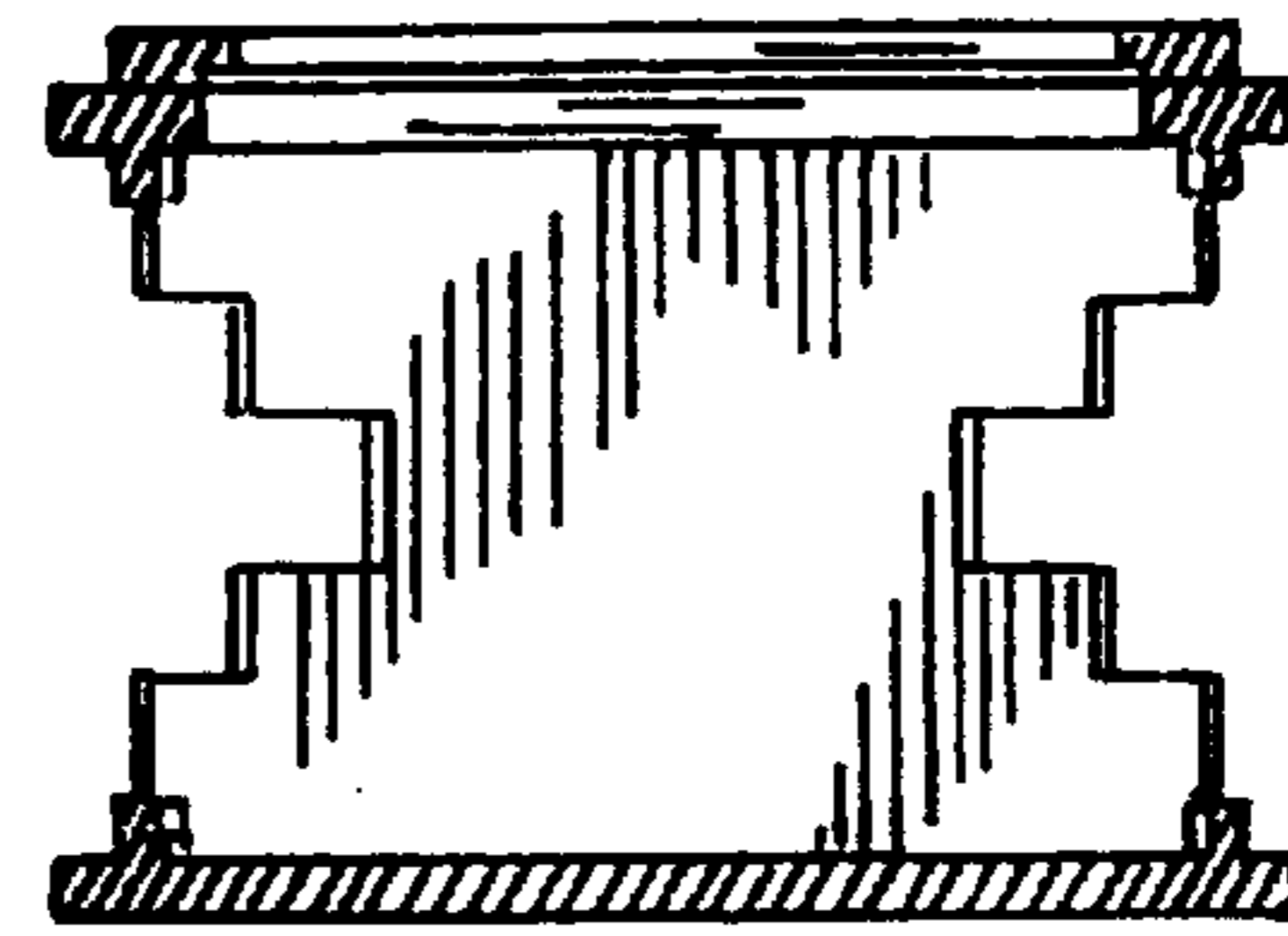


FIG. 11

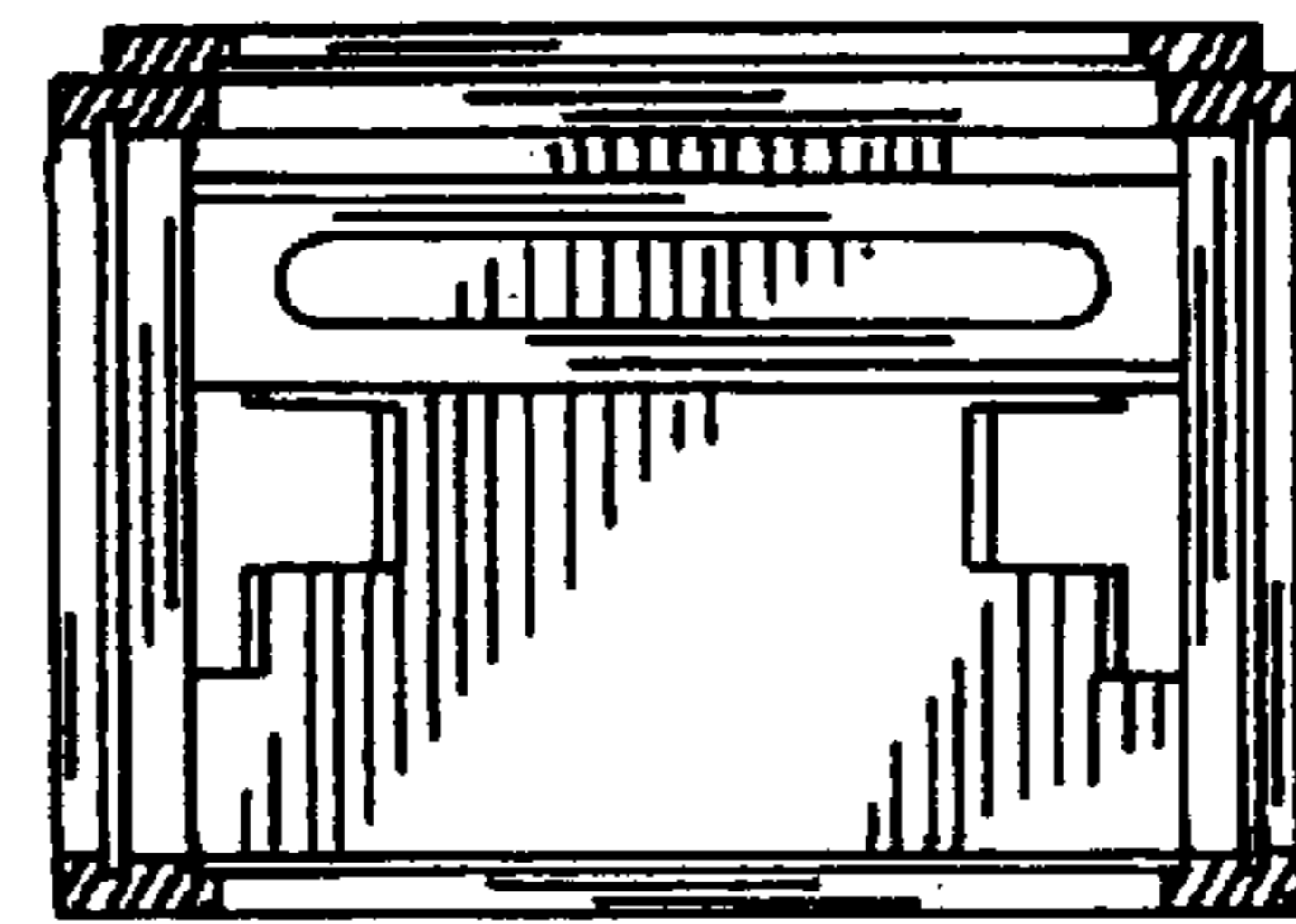


FIG. 10



FIG. 9