



US00D512330S

(12) **United States Design Patent** (10) **Patent No.:** **US D512,330 S**
Hall (45) **Date of Patent:** **** Dec. 6, 2005**

(54) **PRODUCE CLAMSHELL**

(76) Inventor: **Alex F. Hall**, 1060 W. Florence Ave.,
Los Angeles, CA (US) 90301

(**) Term: **14 Years**

(21) Appl. No.: **29/203,582**

(22) Filed: **Apr. 16, 2004**

(51) **LOC (8) Cl.** **09-03**

(52) **U.S. Cl.** **D9/761; D9/757**

(58) **Field of Search** **D9/737, 756, 757,**
D9/759, 761, 762, 420, 424, 425, 426,
454, 415, 418, 347, 732; 220/508; 217/26.5;
206/493, 499, 521, 521.1, 521.7, 521.8,
521.15

(56) **References Cited**

U.S. PATENT DOCUMENTS

586,846 A	*	7/1897	Hammer	217/26.5
2,843,496 A	*	7/1958	Altenburg et al.	206/521.8
D185,628 S	*	7/1959	De Augustina	D9/757
3,171,562 A		3/1965	Weiss	
3,221,971 A	*	12/1965	Reny	206/521.8
D204,505 S	*	4/1966	Bostrom	D9/757
3,416,690 A	*	12/1968	Michael	217/26.5
4,193,531 A		3/1980	Saby	
4,333,571 A	*	6/1982	Martelli	206/499
D272,317 S	*	1/1984	Parmentier	D9/732
4,472,896 A		9/1984	Brauner et al.	
4,757,899 A		7/1988	Magnussen, Jr. et al.	
4,792,085 A		12/1988	Waring, III et al.	
D315,871 S	*	4/1991	Whitebread	D9/415
D327,841 S		7/1992	Letourneau	
D343,579 S		1/1994	Krupa	
D346,552 S		5/1994	Krupa	
D352,893 S		11/1994	Legacy et al.	
5,405,000 A		4/1995	Hagedon et al.	
5,413,215 A		5/1995	Hardinger, Jr.	
5,429,833 A		7/1995	Wyslotsky	

D361,714 S		8/1995	Krupa	
D363,021 S	*	10/1995	Lombard	D9/415
5,497,894 A		3/1996	Krupa et al.	
D368,414 S		4/1996	VanHalteren et al.	
5,590,805 A		1/1997	Knoss et al.	
D379,300 S		5/1997	Krupa et al.	
D396,408 S		7/1998	Carver	
D420,866 S		2/2000	VanHalteren et al.	
6,231,906 B1		5/2001	Alessi	
D447,684 S	*	9/2001	Hogman	D9/757
D459,988 S	*	7/2002	Hogman	D9/757
D459,989 S		7/2002	Hogman	
6,478,158 B2		11/2002	Gaffney et al.	
6,595,366 B1		7/2003	Brown	

* cited by examiner

Primary Examiner—Stella Reid
Assistant Examiner—Mark A. Goodwin
(74) *Attorney, Agent, or Firm*—Michael Blaine Brooks
P.C.; Michael B. Brooks; Andrew S. Naglestad

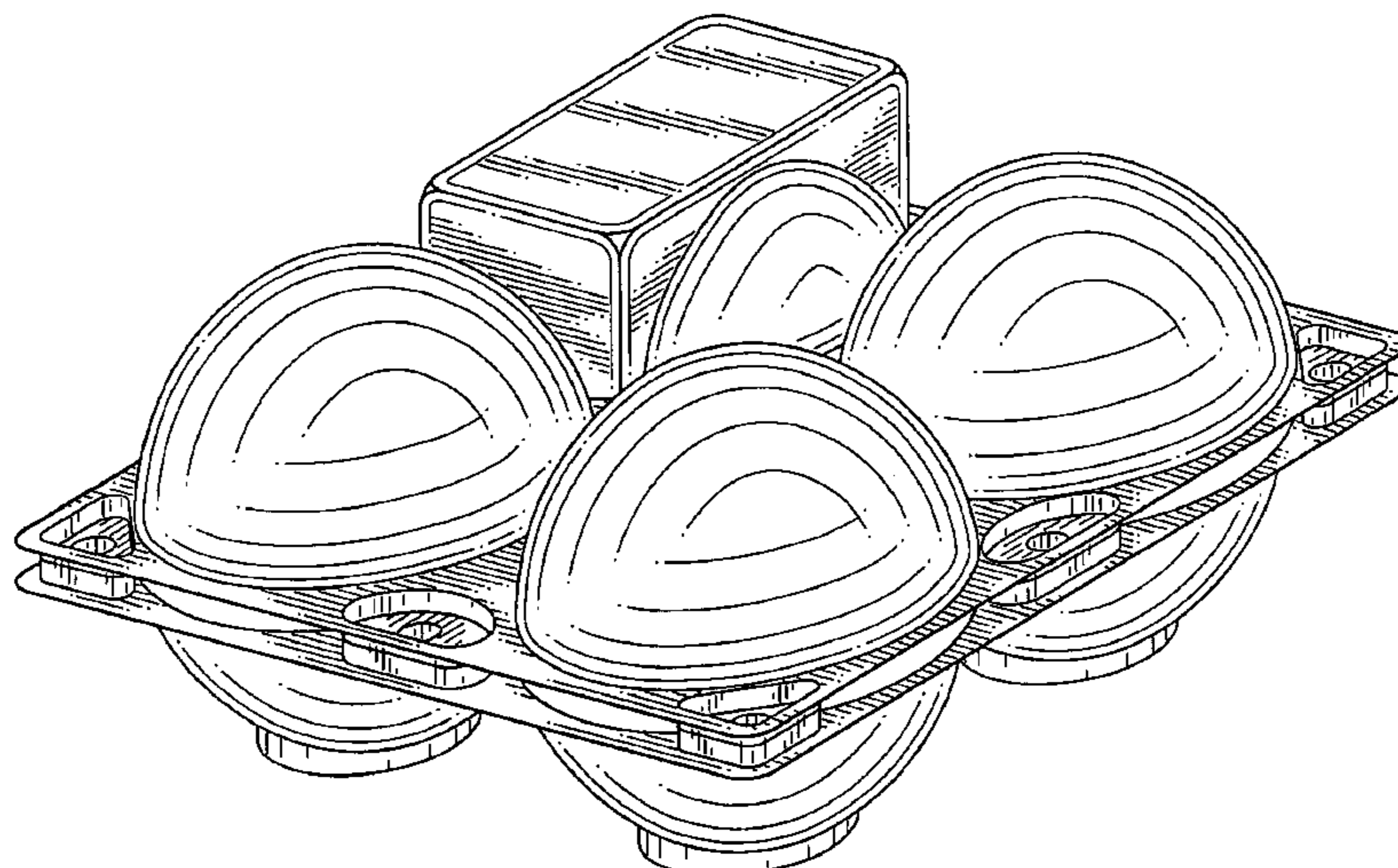
(57) **CLAIM**

I claim the ornamental design for a produce clamshell, as shown and described.

DESCRIPTION

FIG. 1 is a top perspective view of a produce clamshell;
FIG. 2 is a top plan view of the produce clamshell;
FIG. 3 is a left side elevational view of the produce clamshell;
FIG. 4 is a bottom plan view of the produce clamshell;
FIG. 5 is a right side elevational view of the produce clamshell;
FIG. 6 is a front elevational view of the produce clamshell;
FIG. 7 is a back elevational view of the produce clamshell;
and,
FIG. 8 is a bottom perspective view of the produce clamshell.

1 Claim, 5 Drawing Sheets



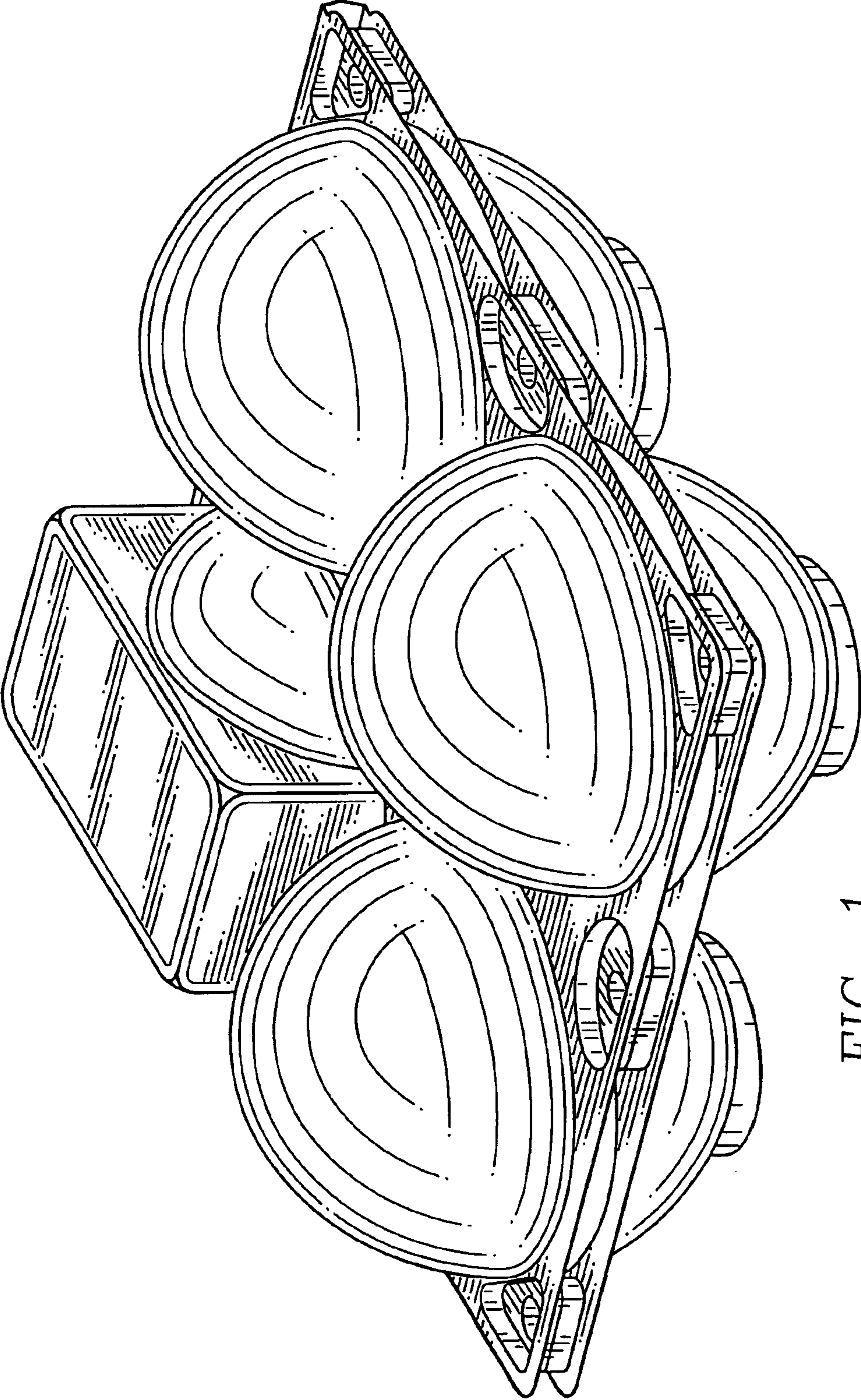


FIG. 1

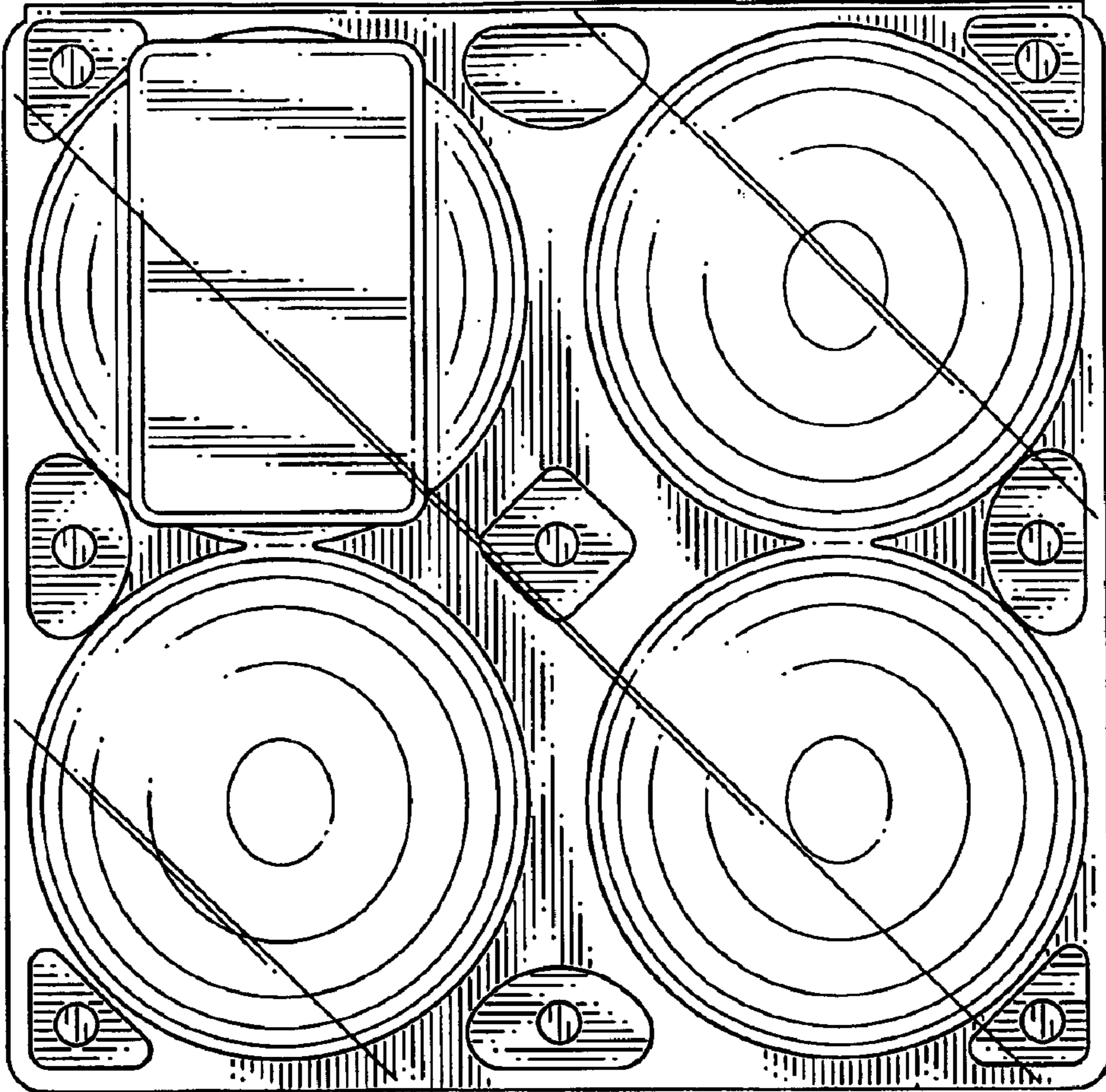


FIG. 2

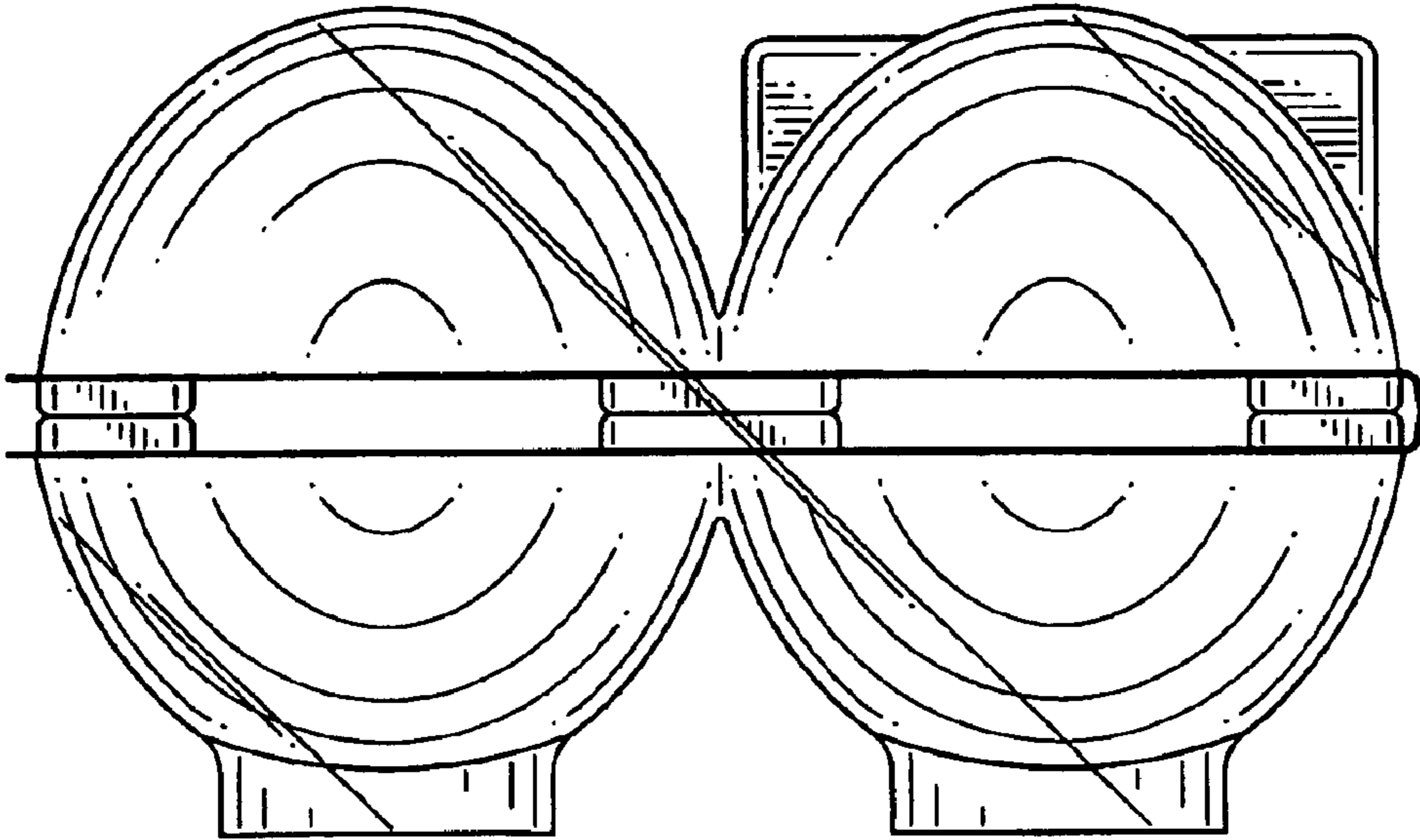


FIG. 3

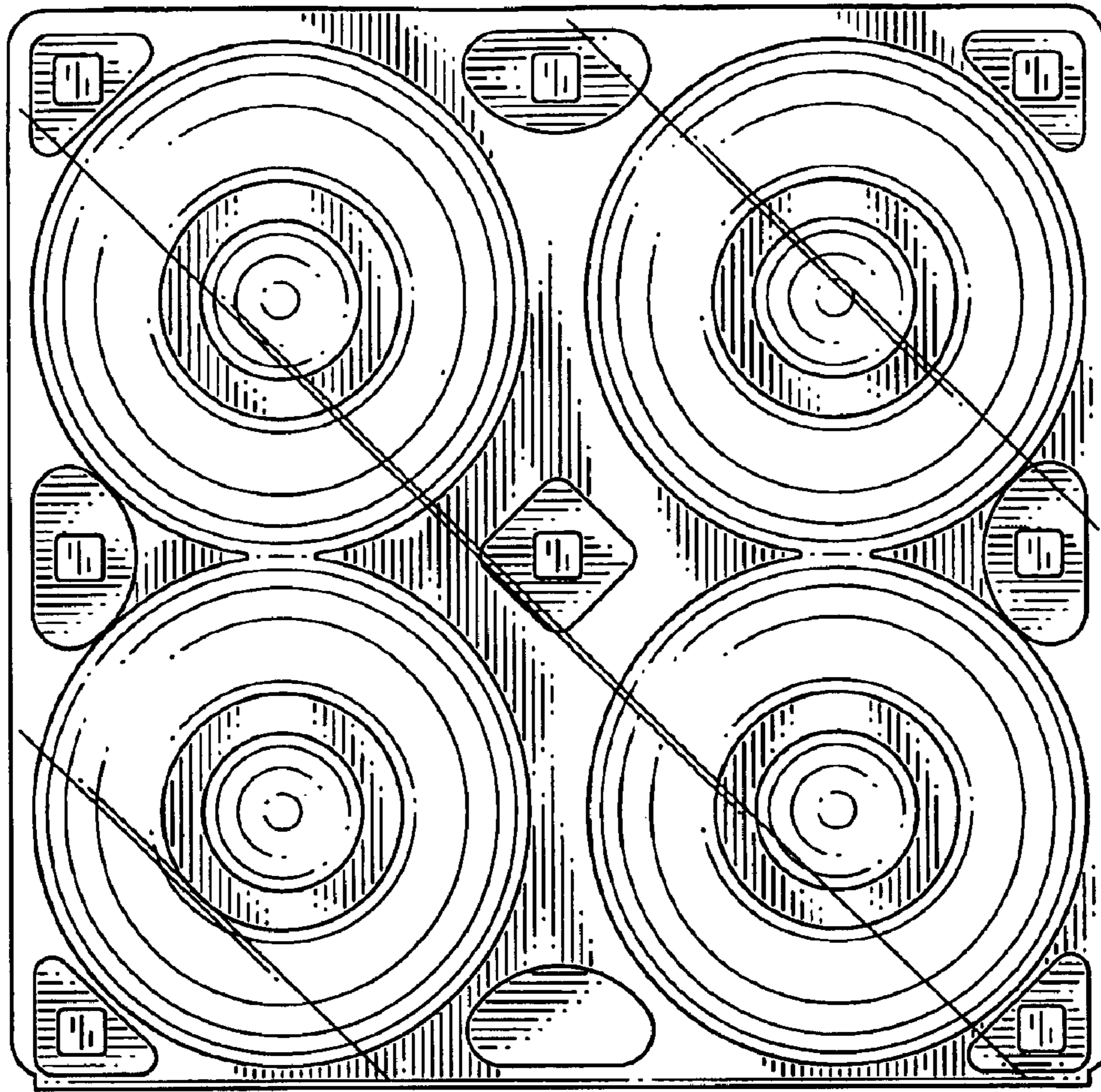


FIG. 4

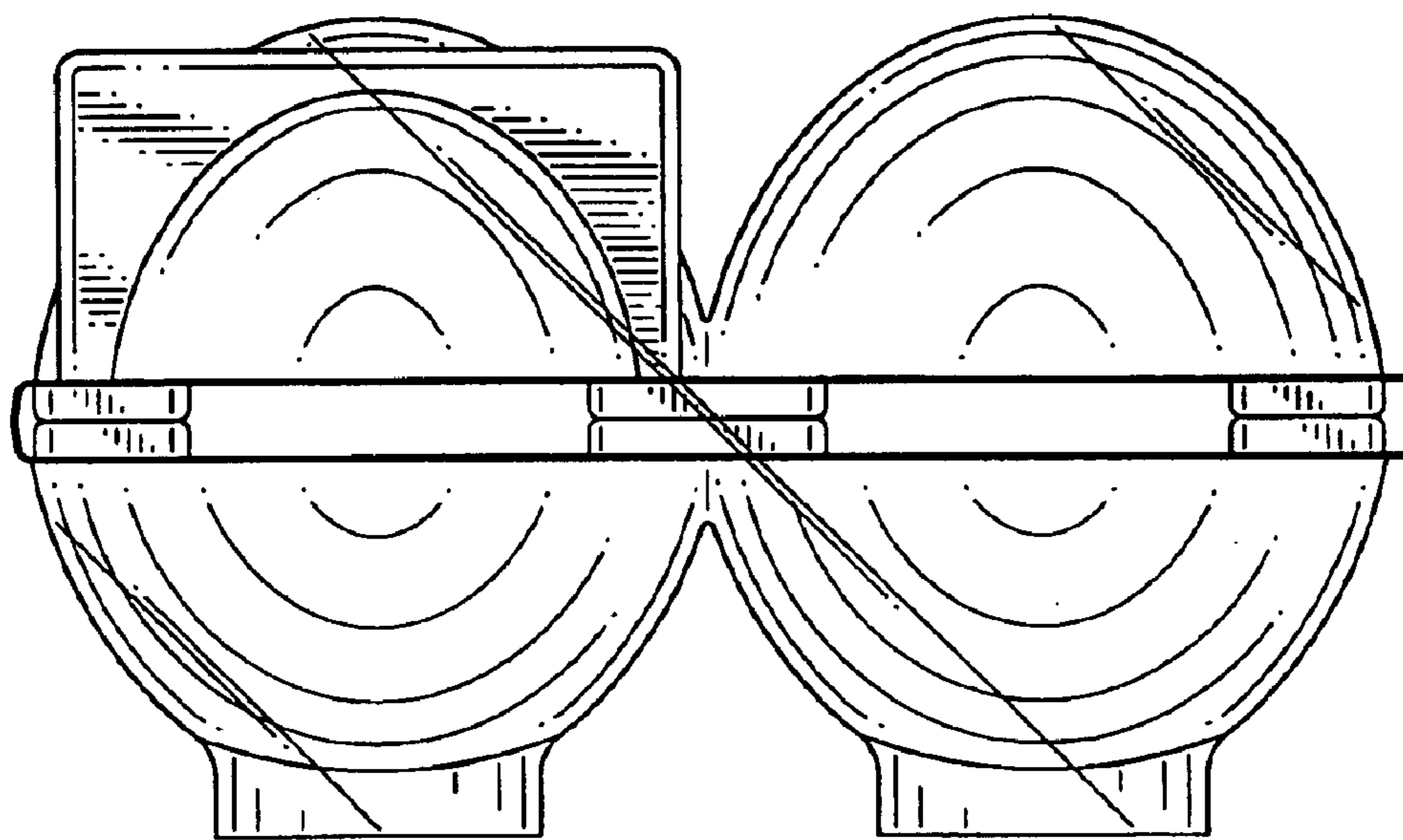


FIG. 5

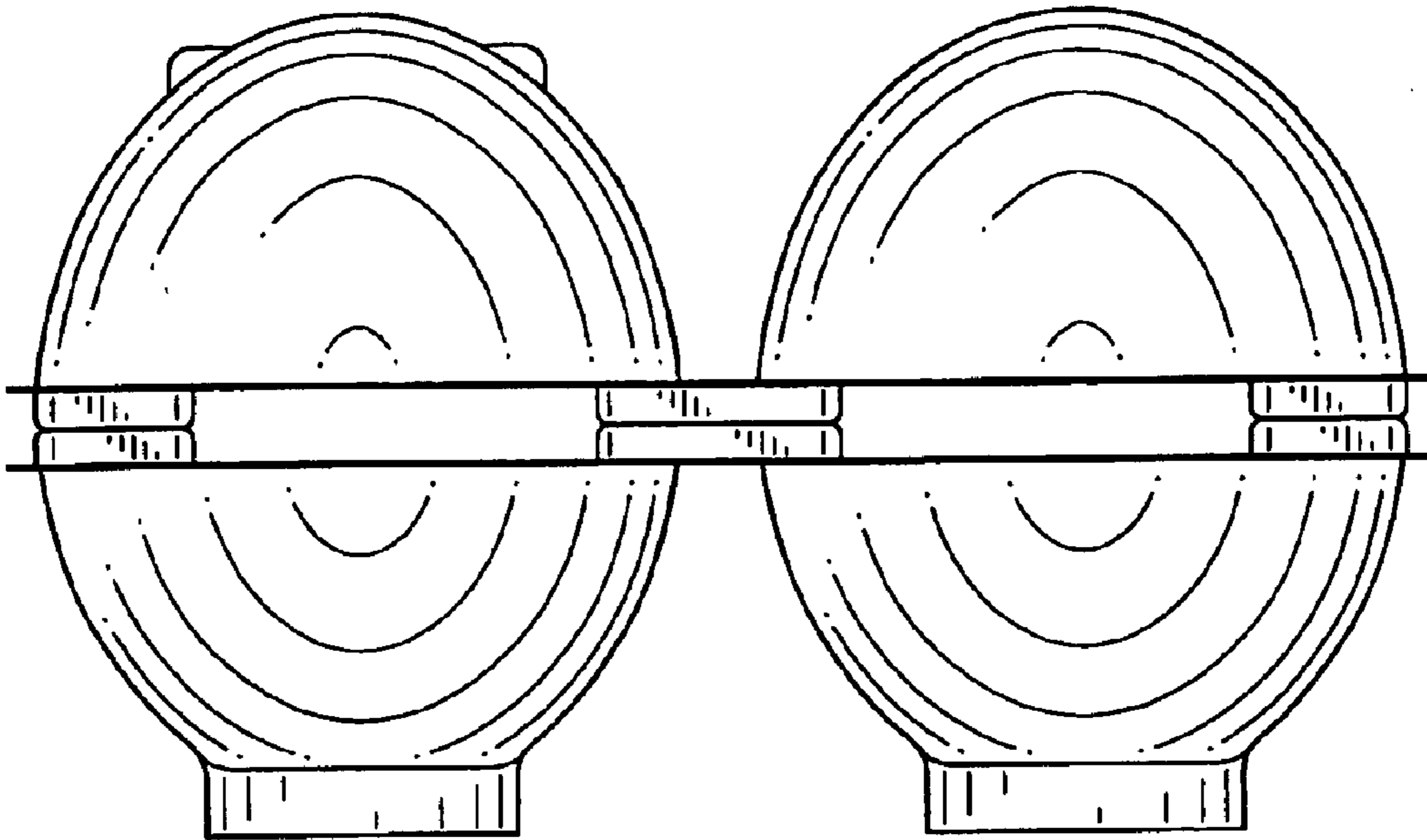


FIG. 6

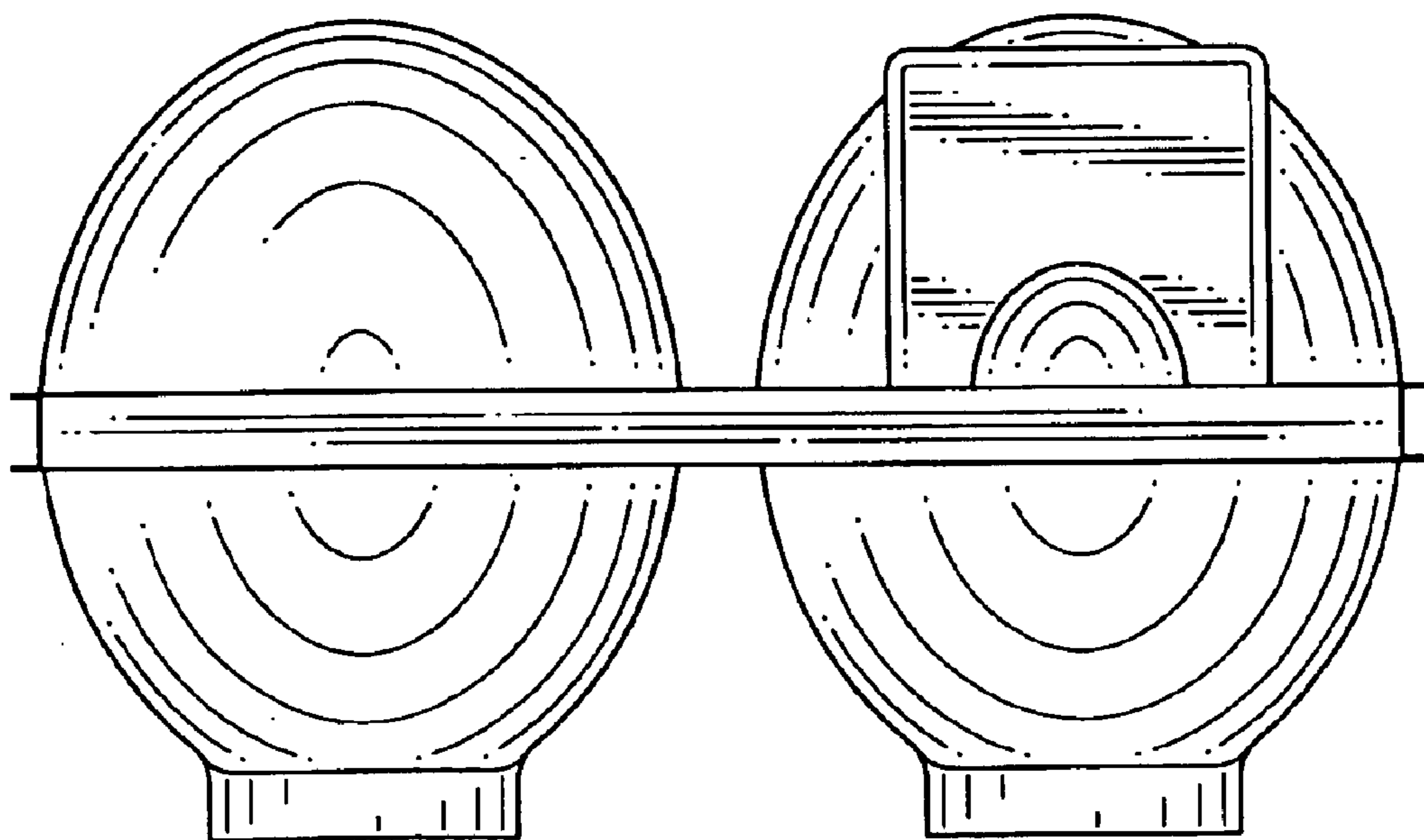


FIG. 7

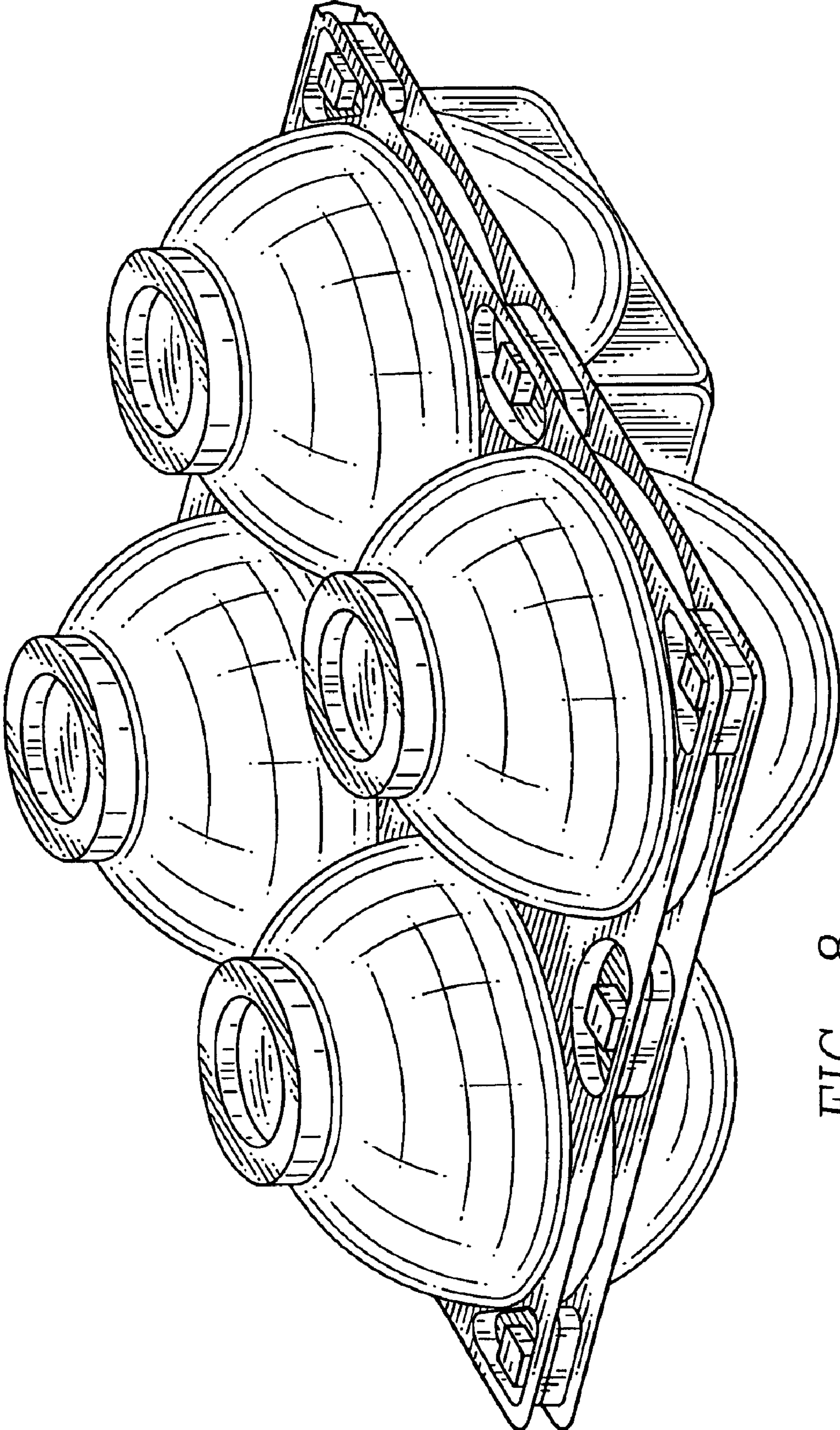


FIG. 8