



US00D512328S

(12) **United States Design Patent** (10) **Patent No.:** **US D512,328 S**
Clark (45) **Date of Patent:** **** Dec. 6, 2005**

(54) **EMBOSSSED GIFT BAG**

OTHER PUBLICATIONS

(75) Inventor: **Elyse Clark**, Newtown, CT (US)

www.PaperAddict.com, Dec. 06, 2004.*

www.macpaper.com, Dec. 06, 2004.*

(73) Assignee: **Kool Wraps, L.L.C.**, Newtown, CT (US)

Primary Examiner—Stella Reid

Assistant Examiner—Jean E. McCormick

(**) Term: **14 Years**

(74) *Attorney, Agent, or Firm*—Dickstein Shapiro Morin & Oshinsky LLP

(21) Appl. No.: **29/201,086**

(57) **CLAIM**

(22) Filed: **Mar. 11, 2004**

The ornamental design for an embossed gift bag, as shown and described.

(51) **LOC (8) Cl.** **09-05**

(52) **U.S. Cl.** **D9/702**

(58) **Field of Search** D5/1, 2, 6, 9,
D5/10, 11, 16, 20, 21, 22, 24, 28, 32, 34,
35, 36, 47, 50, 52, 53, 58, 62; D9/702,
707, 708; D11/16, 63, 67, 68, 84, 106,
115, 117, 119, 121, 124, 125, 126, 130,
139

DESCRIPTION

(56) **References Cited**

U.S. PATENT DOCUMENTS

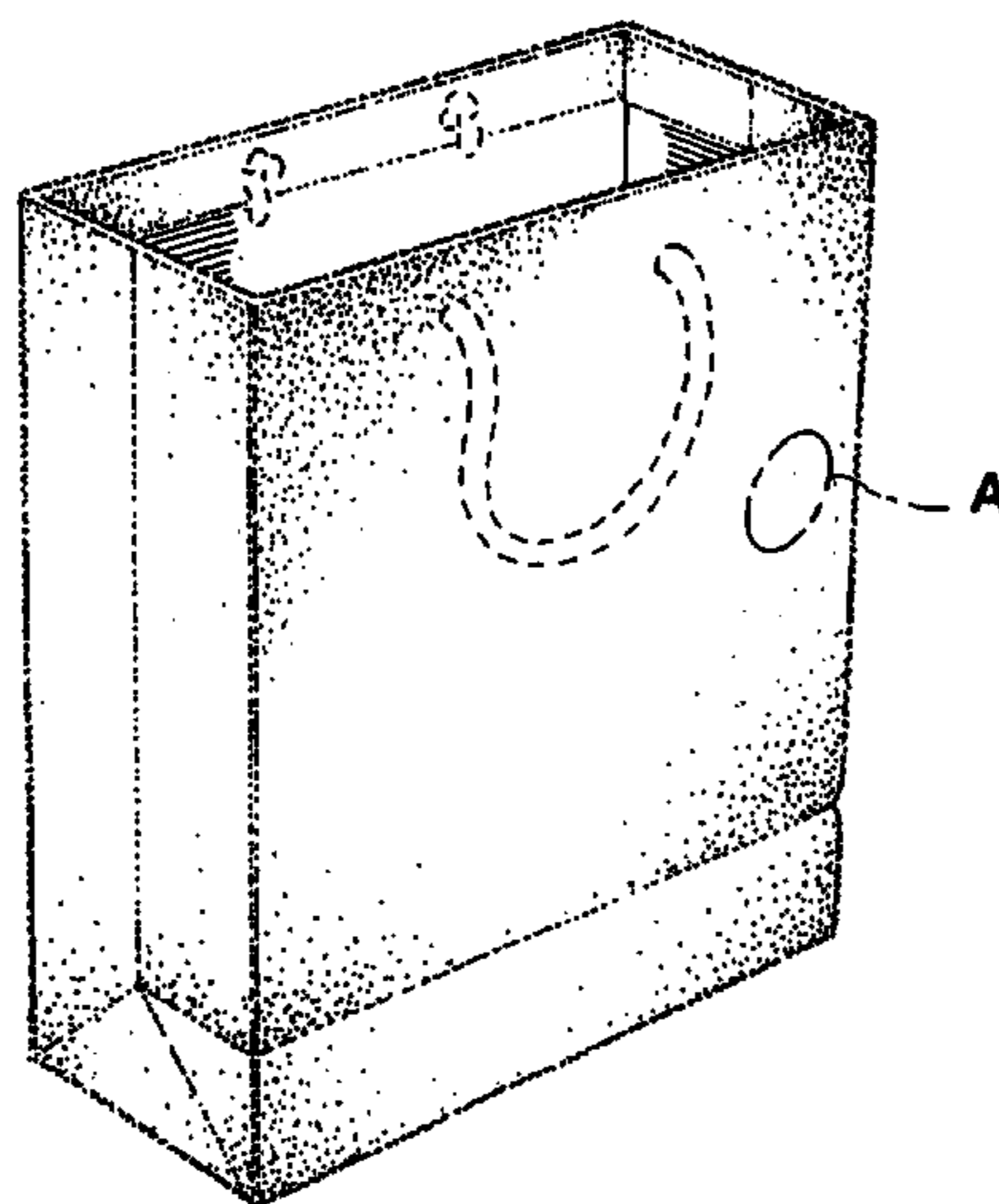
D34,301 S	*	3/1901	Seaman	D5/66
D38,240 S	*	9/1906	Dreux	D5/10
D80,320 S	*	12/1928	Kolb	D5/62
2,153,441 A		4/1939	Tillotson		
D175,817 S	*	10/1955	Wright	D5/62
2,984,036 A	*	5/1961	Adler, Jr.	428/9
3,044,200 A	*	7/1962	Teufel	428/27
D200,472 S	*	3/1965	Chang	D11/117
3,610,307 A		10/1971	Huff		
4,608,283 A		8/1986	White		
D305,728 S		1/1990	Tufariello		
4,930,903 A	*	6/1990	Mahoney	383/6
D323,977 S		2/1992	Etro		
5,116,655 A		5/1992	Ezoe		
D350,475 S		9/1994	Cirelli		

(Continued)

FOREIGN PATENT DOCUMENTS

JP 53133180 11/1978

1 Claim, 5 Drawing Sheets



US D512,328 S

Page 2

U.S. PATENT DOCUMENTS

5,441,348 A	8/1995	Valentino	6,153,311 A	11/2000	Springer et al.	
5,613,312 A	3/1997	Crowell	D452,814 S	1/2002	Furuta	
5,639,523 A	6/1997	Ellis	D493,708 S	* 8/2004	Clark D9/703
D417,143 S	11/1999	Irvine	D497,541 S	* 10/2004	Clark D9/707

* cited by examiner

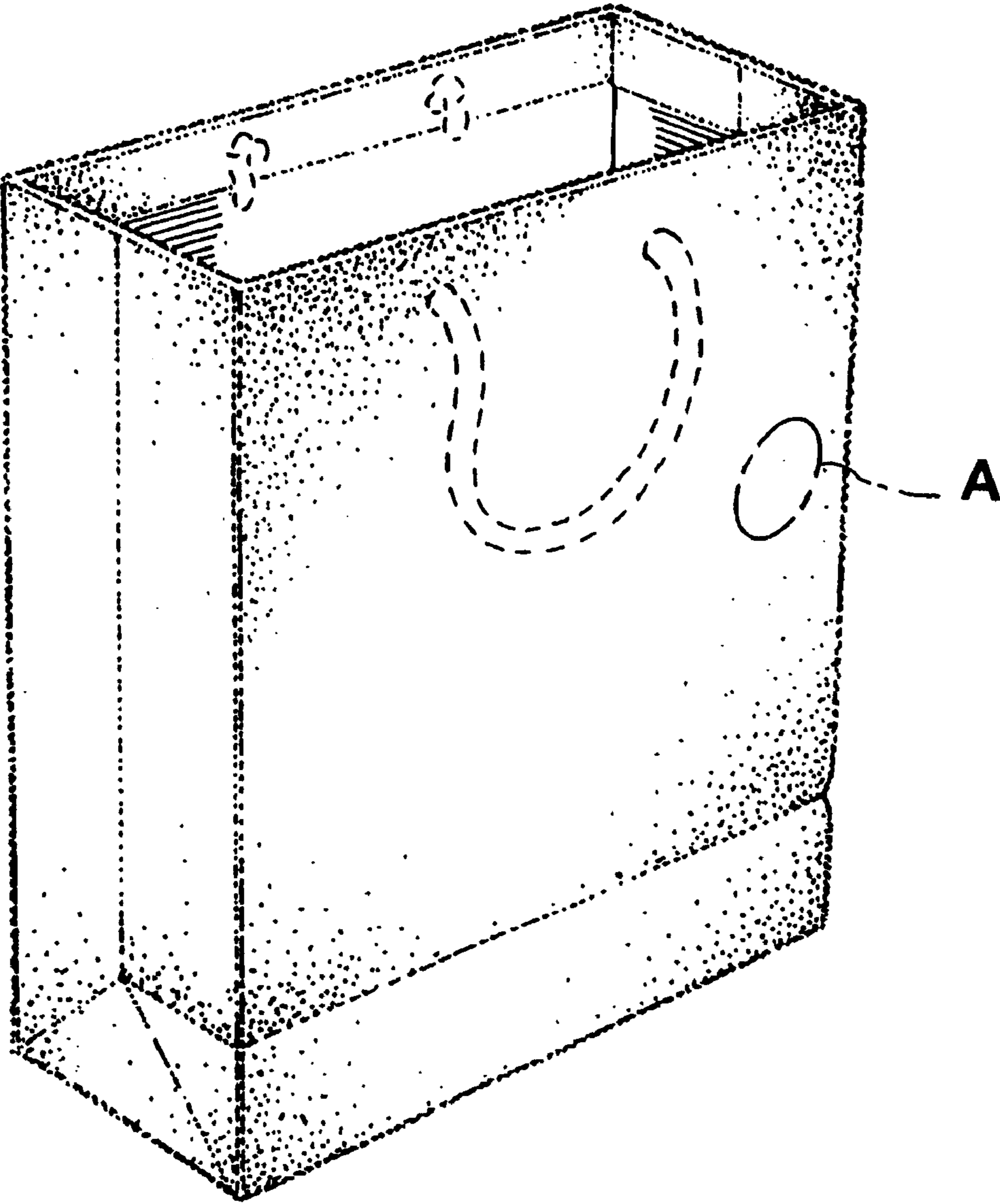


FIG. 1

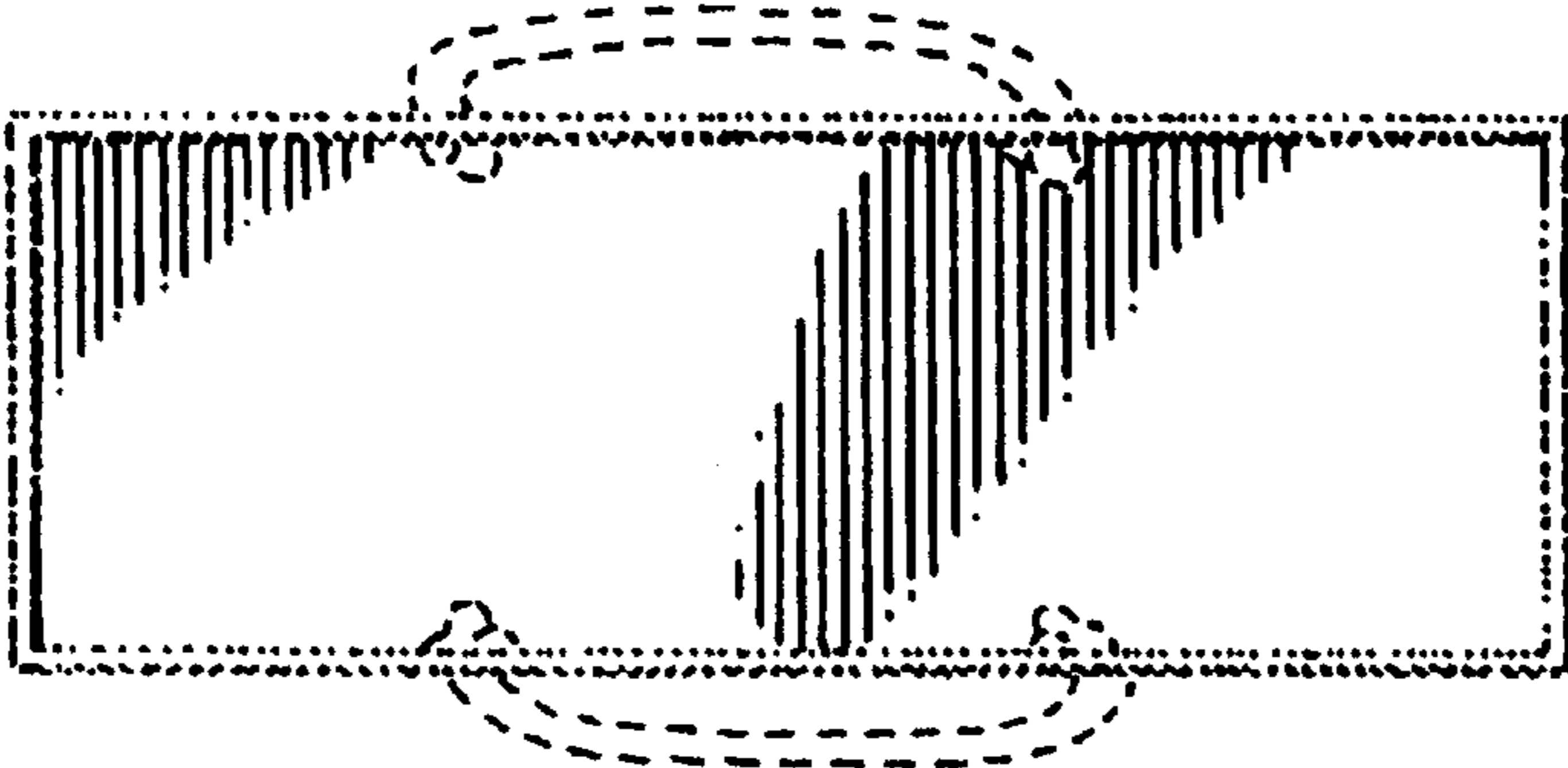


FIG. 2

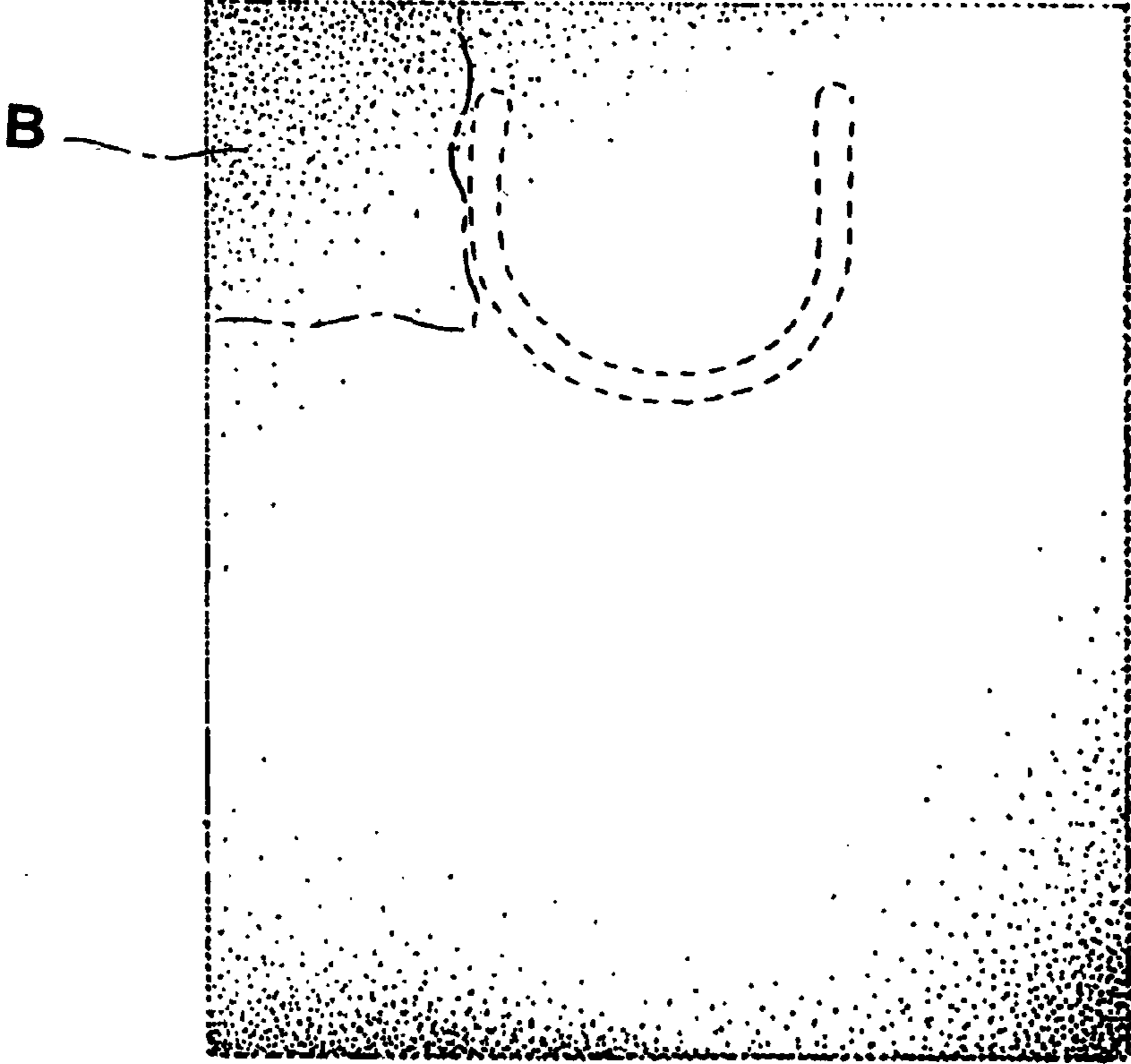


FIG. 3

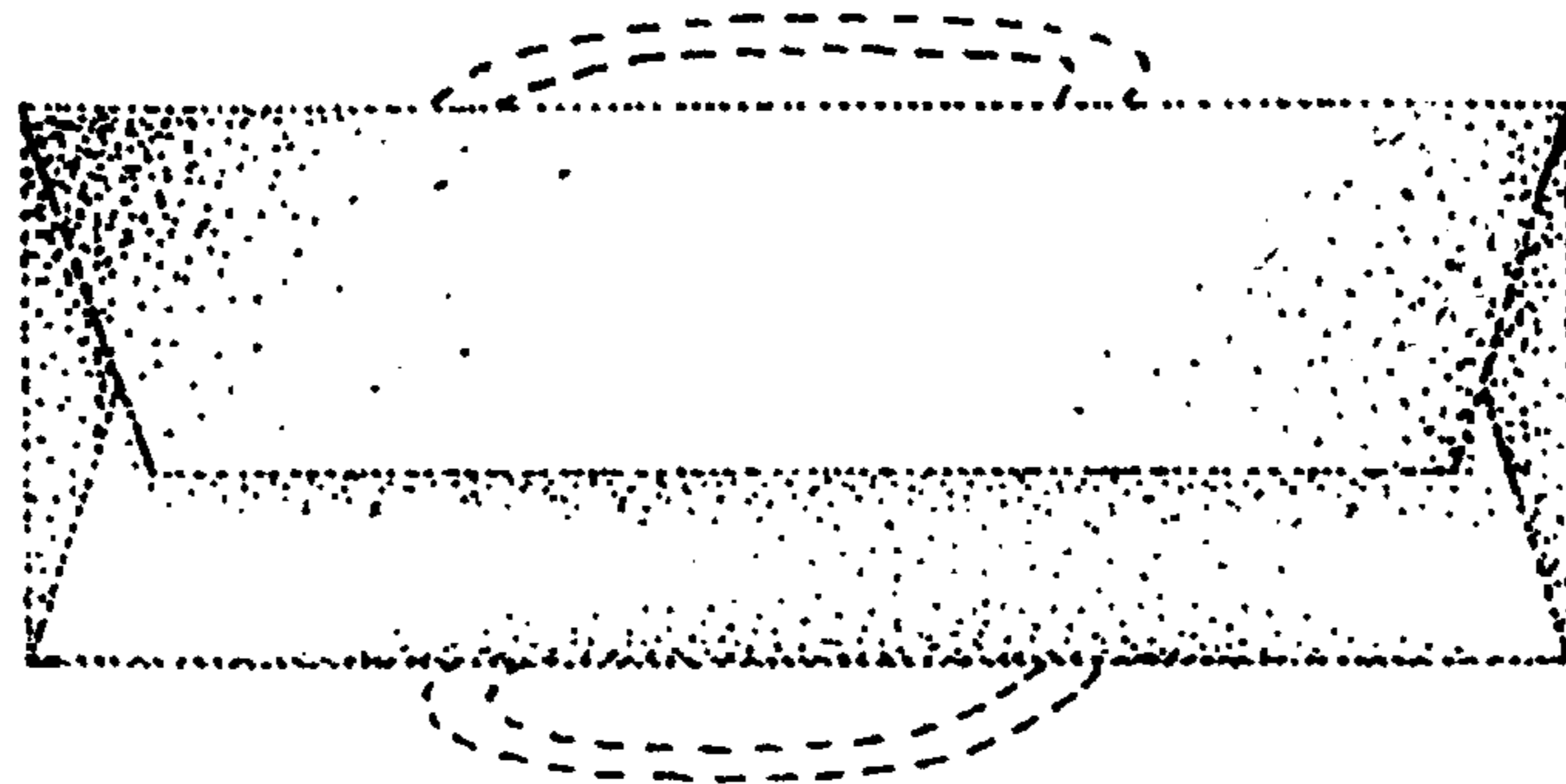


FIG. 4

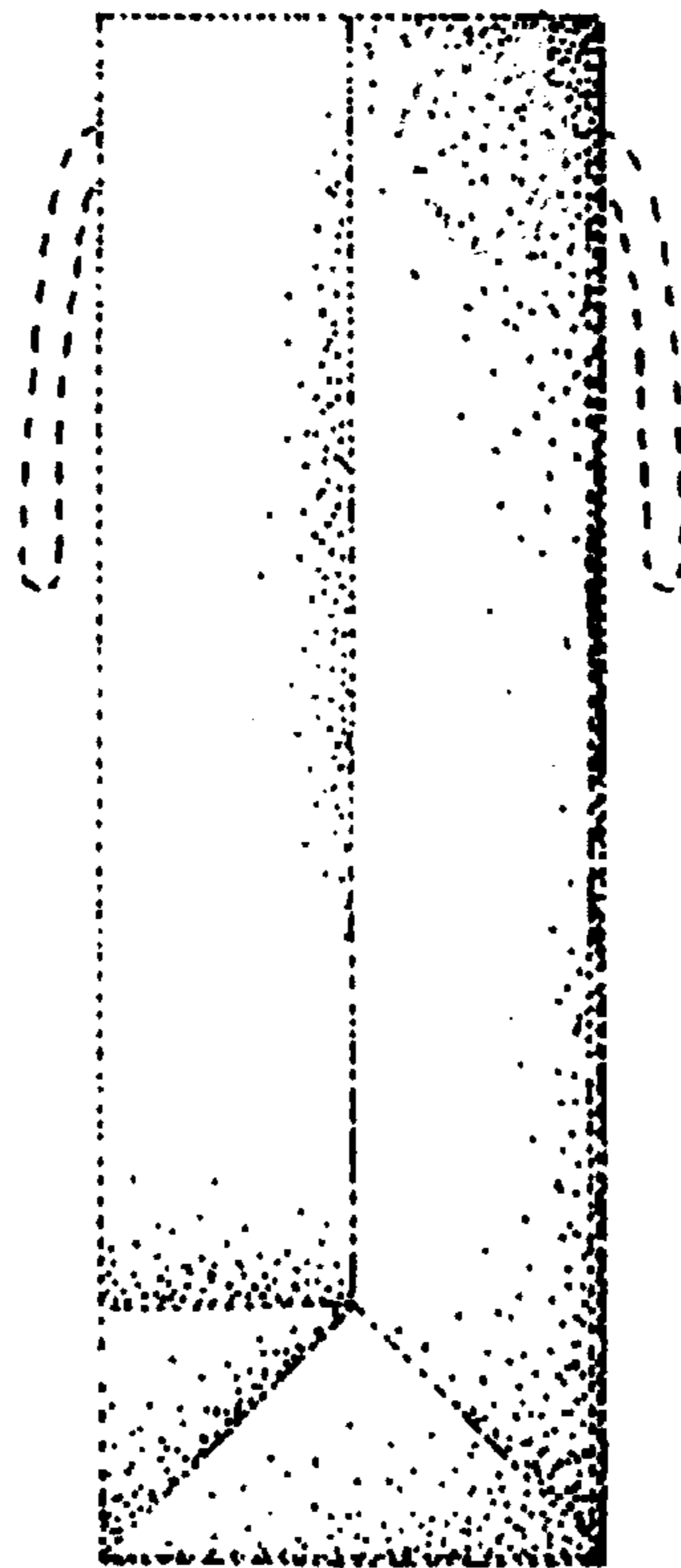


FIG. 5

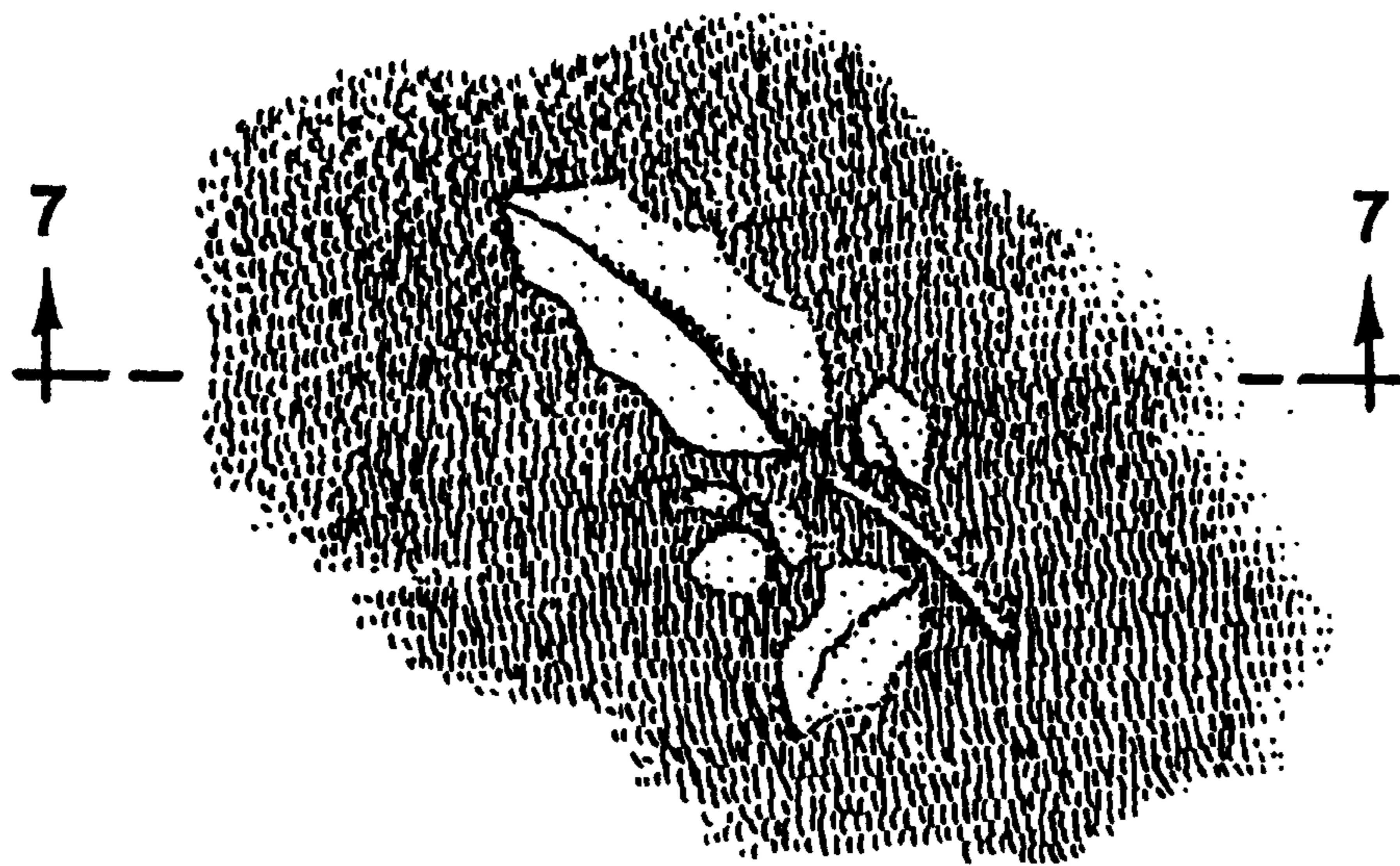


FIG. 6



FIG. 7

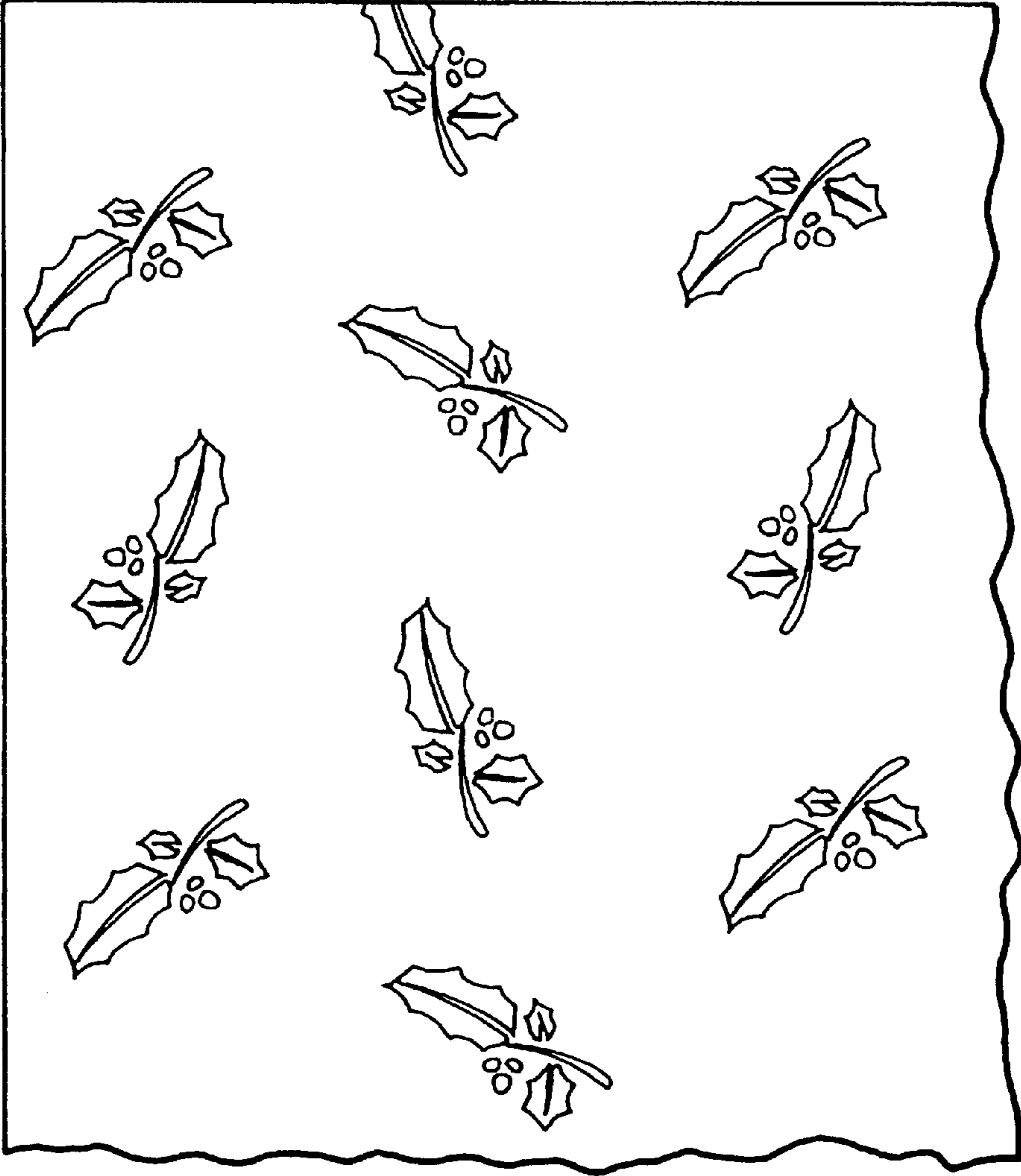


FIG. 8